

## K-20940

13-gallon stainless steel step trash can

### Features

- Designed to fit any brand of 13-gallon (49-liter) trash bag
- Fingerprint-resistant finish stays clean longer
- Hands-free operation with durable metal foot pedal
- Raised liner and rotating, locking rim for easy bag changes
- Quiet-Close™ lid closes gently and silently
- Space-saving profile fits snugly against wall or cabinets
- Hinge design protects wall from scuffs
- Removable plastic liner is easy to clean
- Cleans easily with a microfiber cloth. No need for chemicals or abrasives



### Available Colors/Finishes

*Color tiles intended for reference only.*

- ST Stainless Steel
- BST Black Stainless
- STW Stainless Steel + White
- BSB Black Stainless & Moderne Brushed Brass
- WCP White & Copper
- WMB White & Moderne Brushed Brass



## Codes/Standards

*None Applicable*

---

## Material

- Available in stainless steel or black stainless steel
- 

## Recommended Products/Accessories

K-23729 Stainless steel cleaner

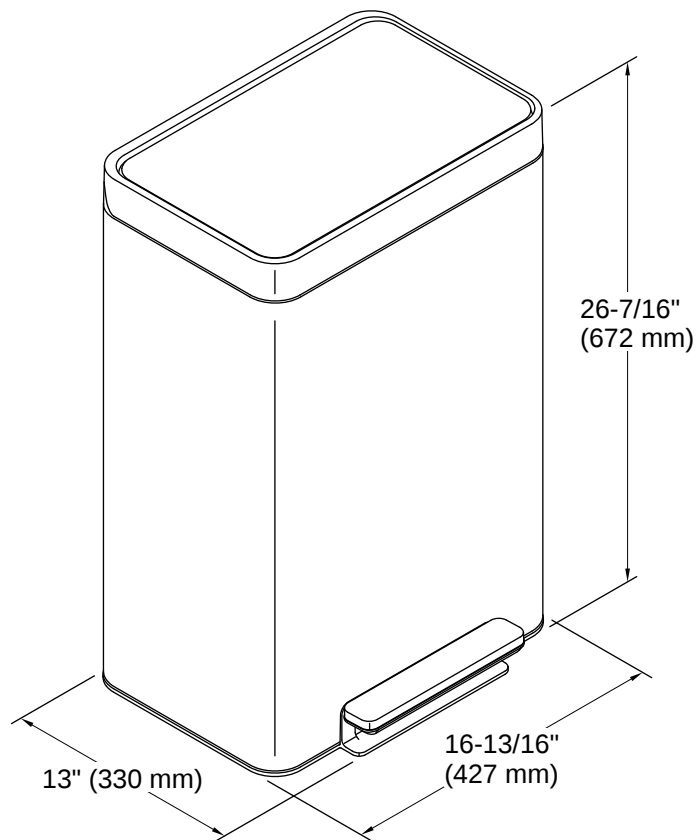
---

## Warranty

*See website for detailed warranty information.*

KOHLER® Trash Can Limited Warranty





## Installation Notes

*Install this product according to the installation instructions.*

