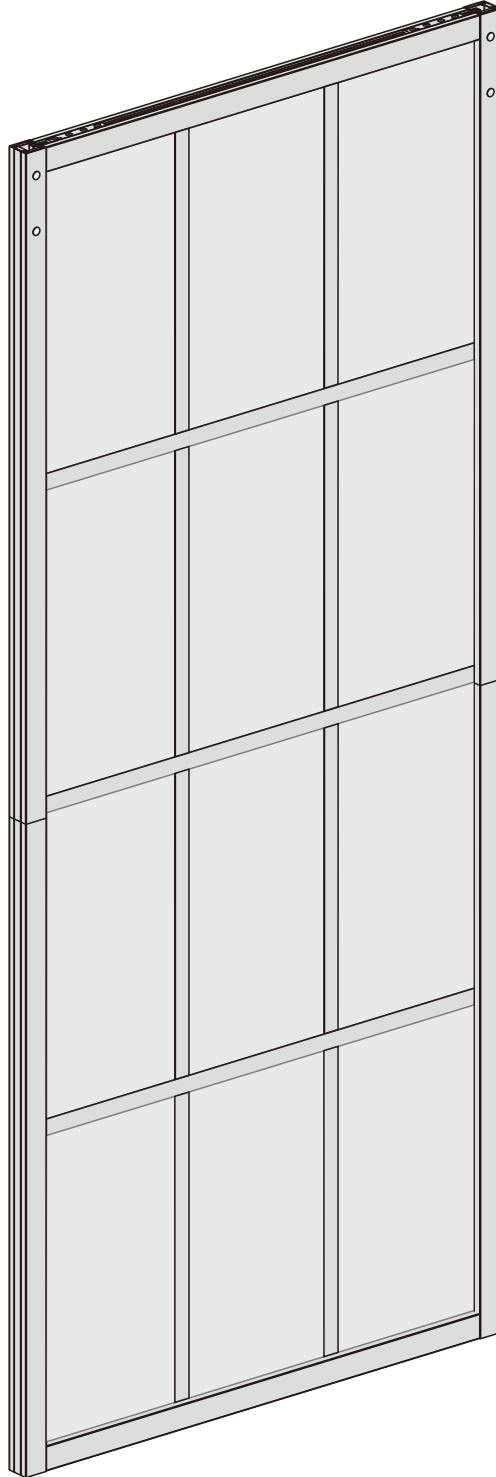


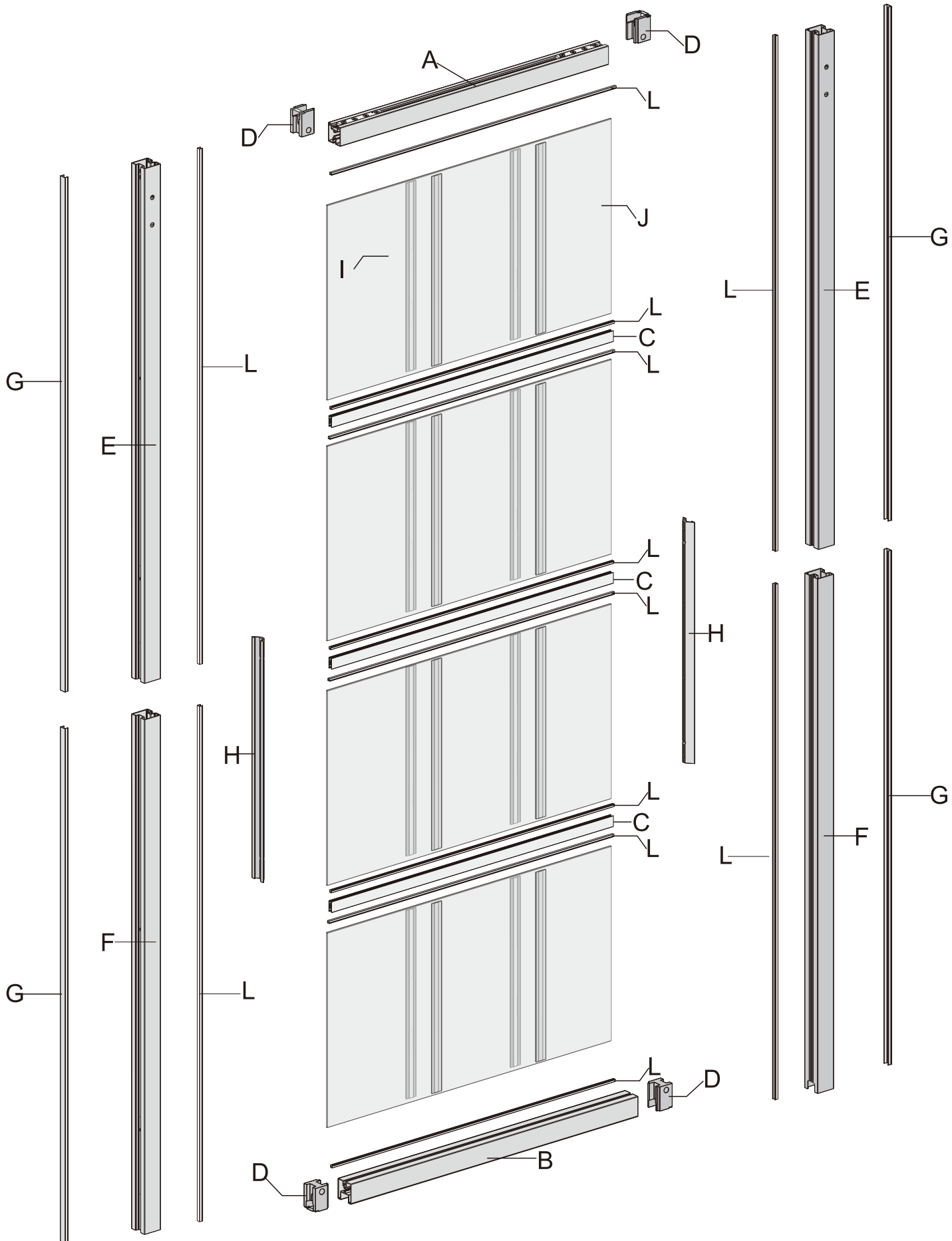


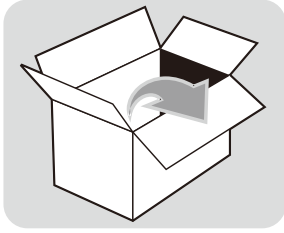
# Installation Manual

---

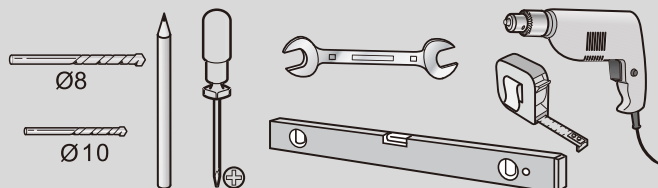
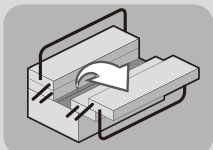
Email: [service@t-motorsports.com](mailto:service@t-motorsports.com)

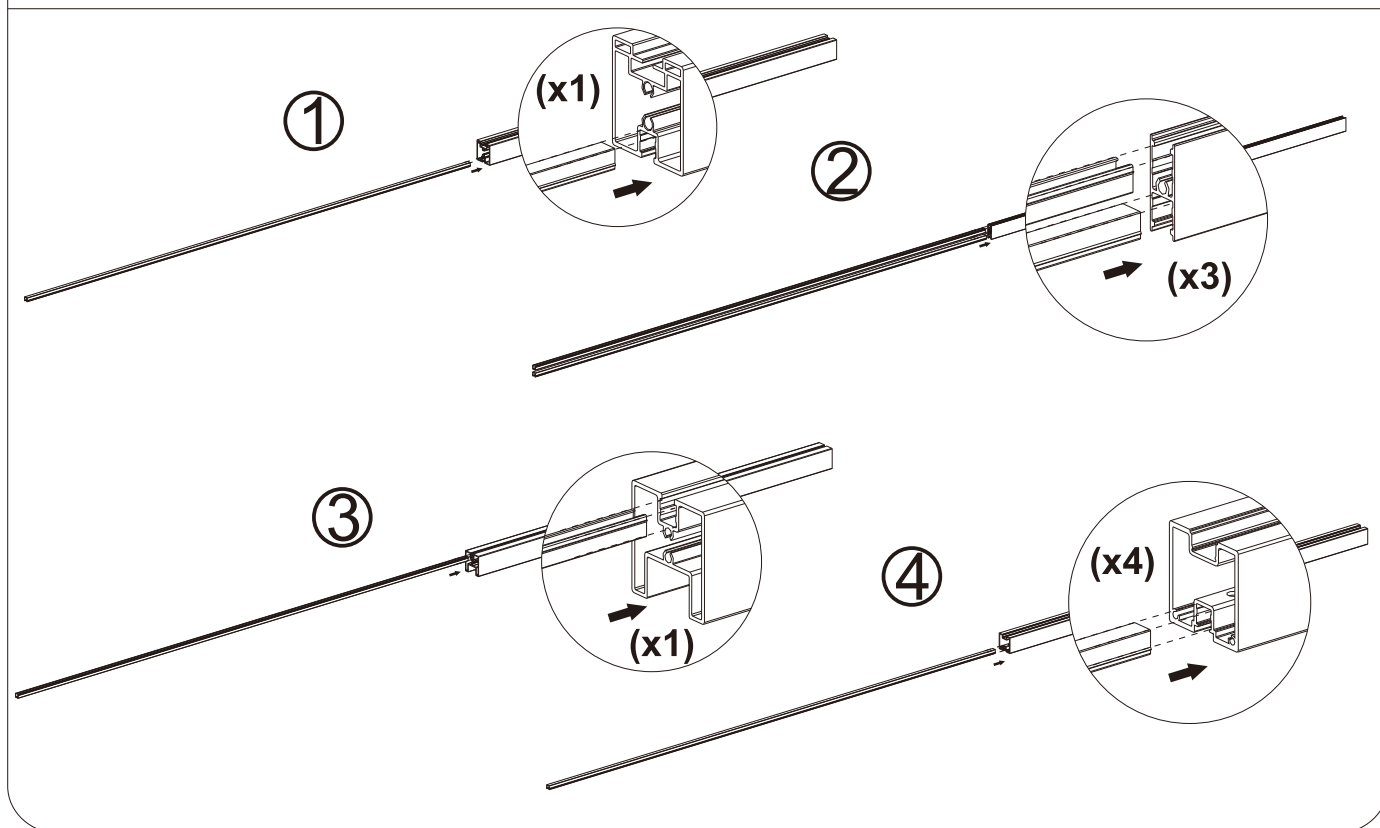
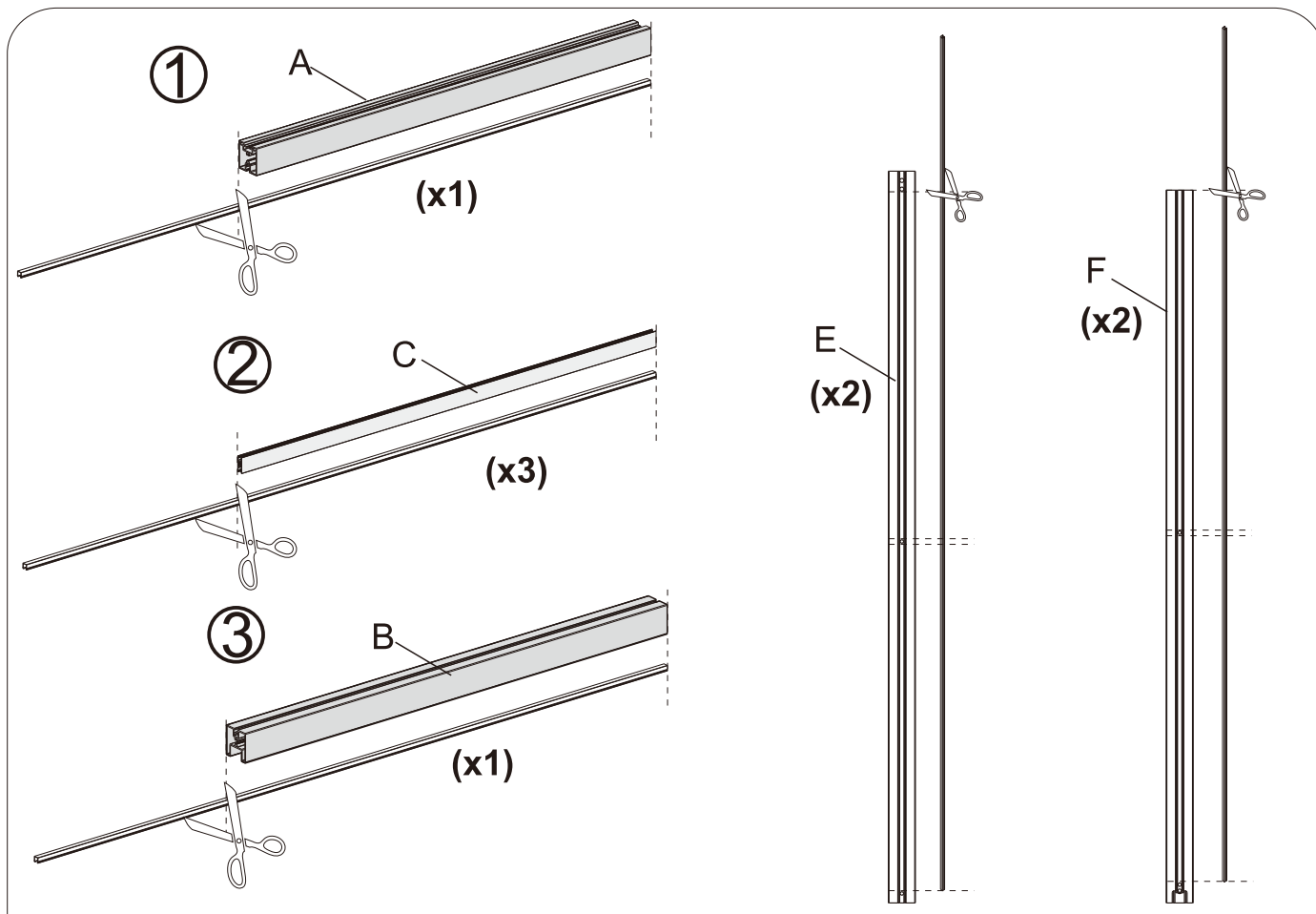


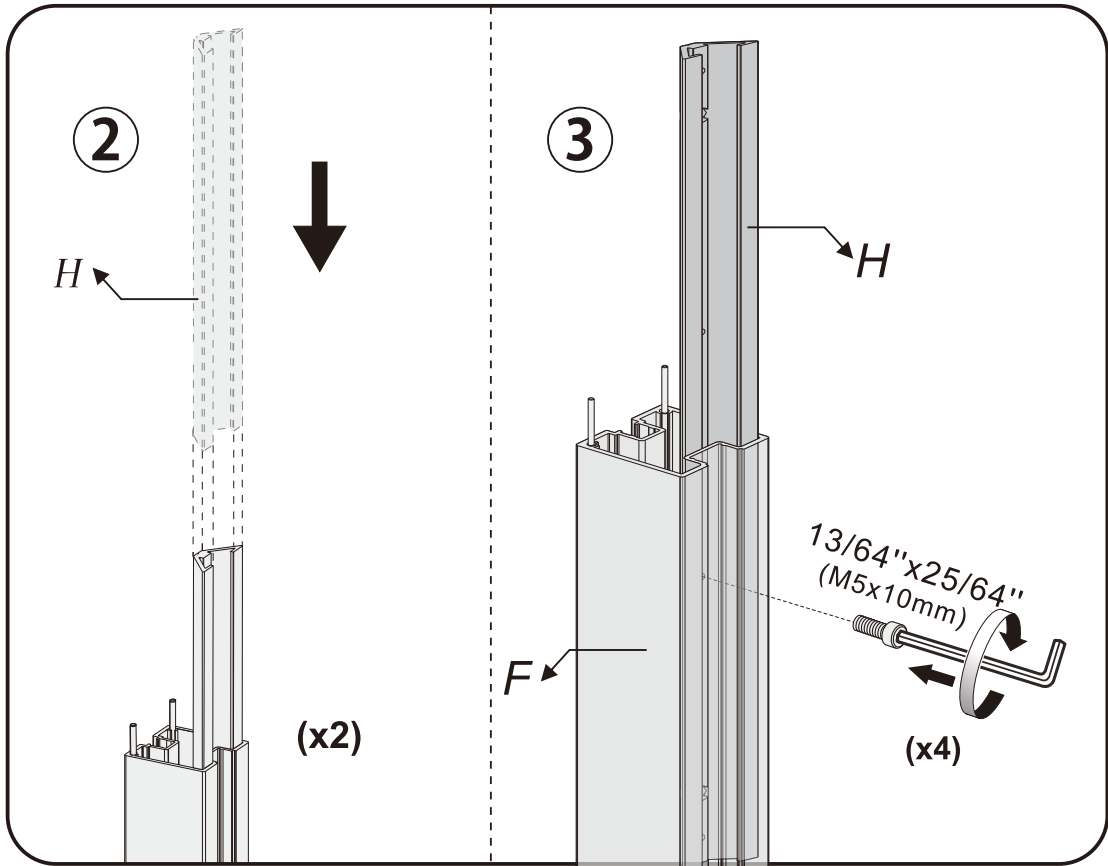
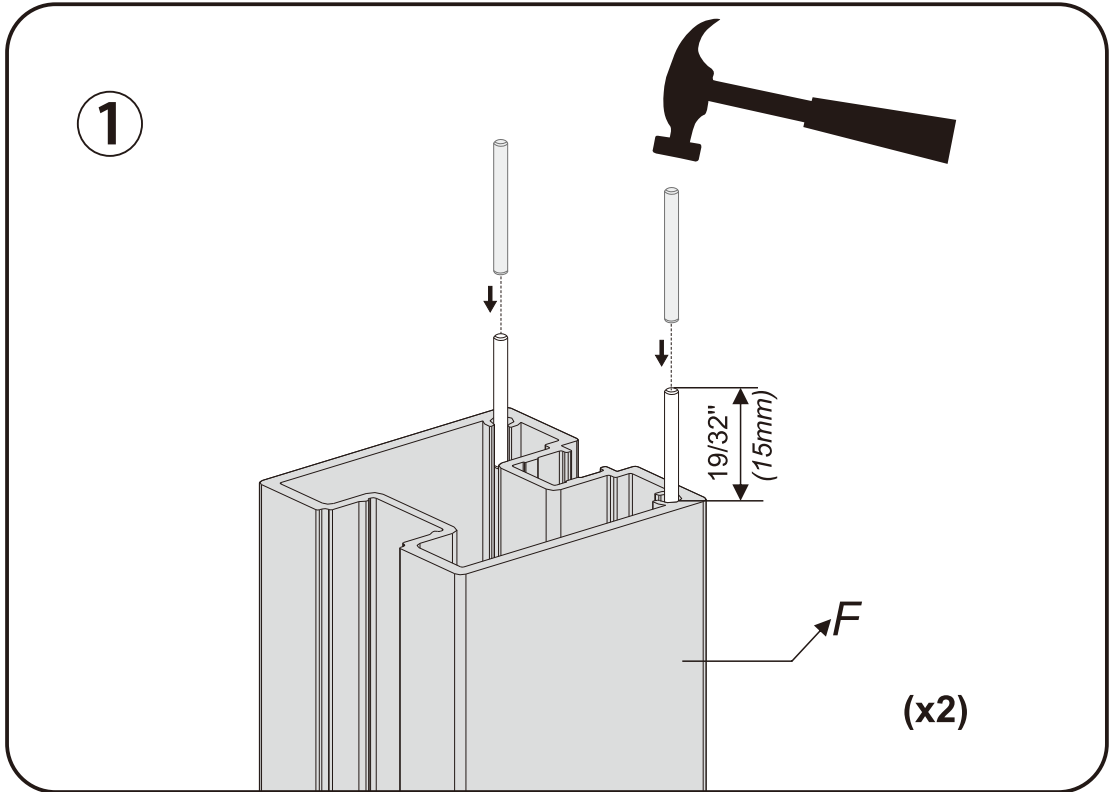


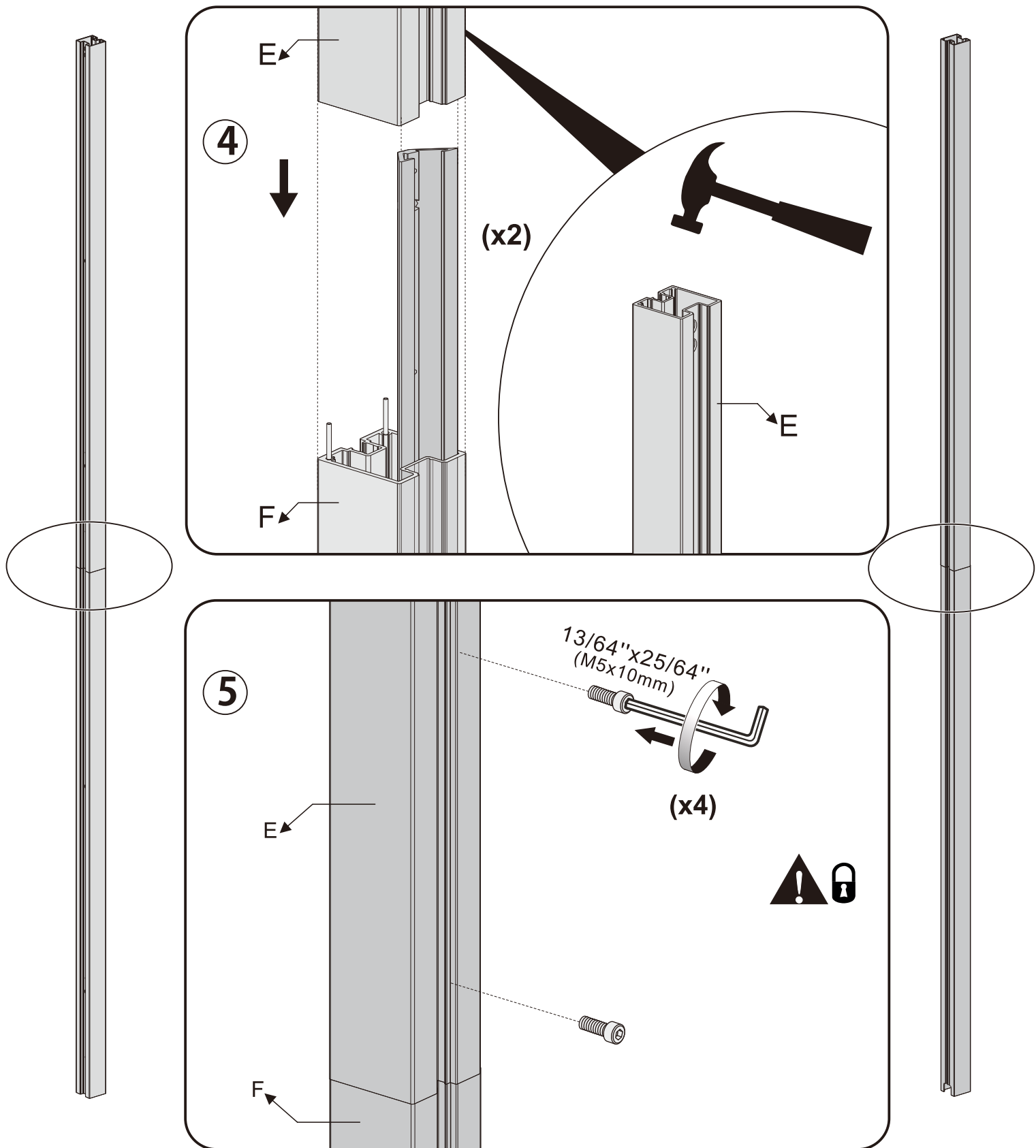


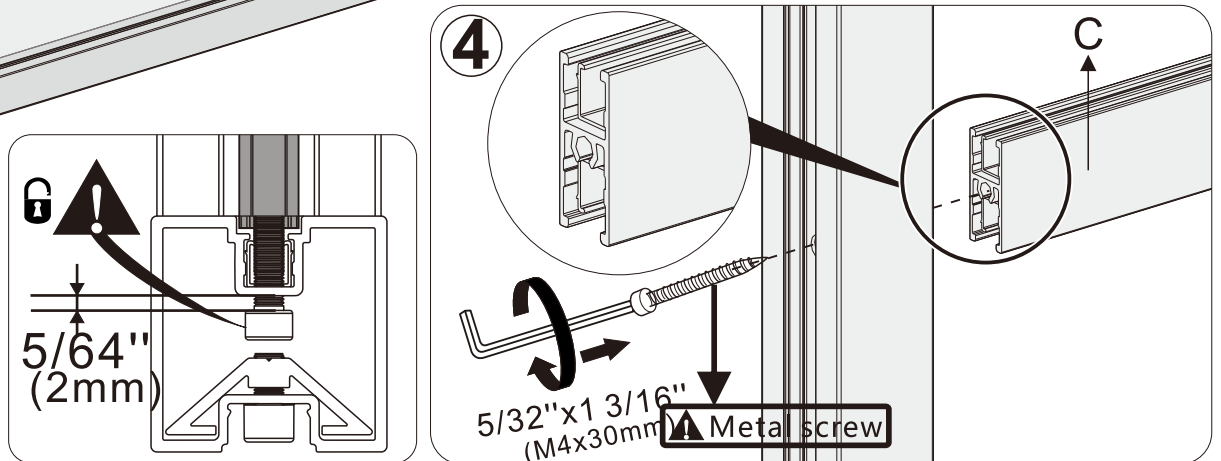
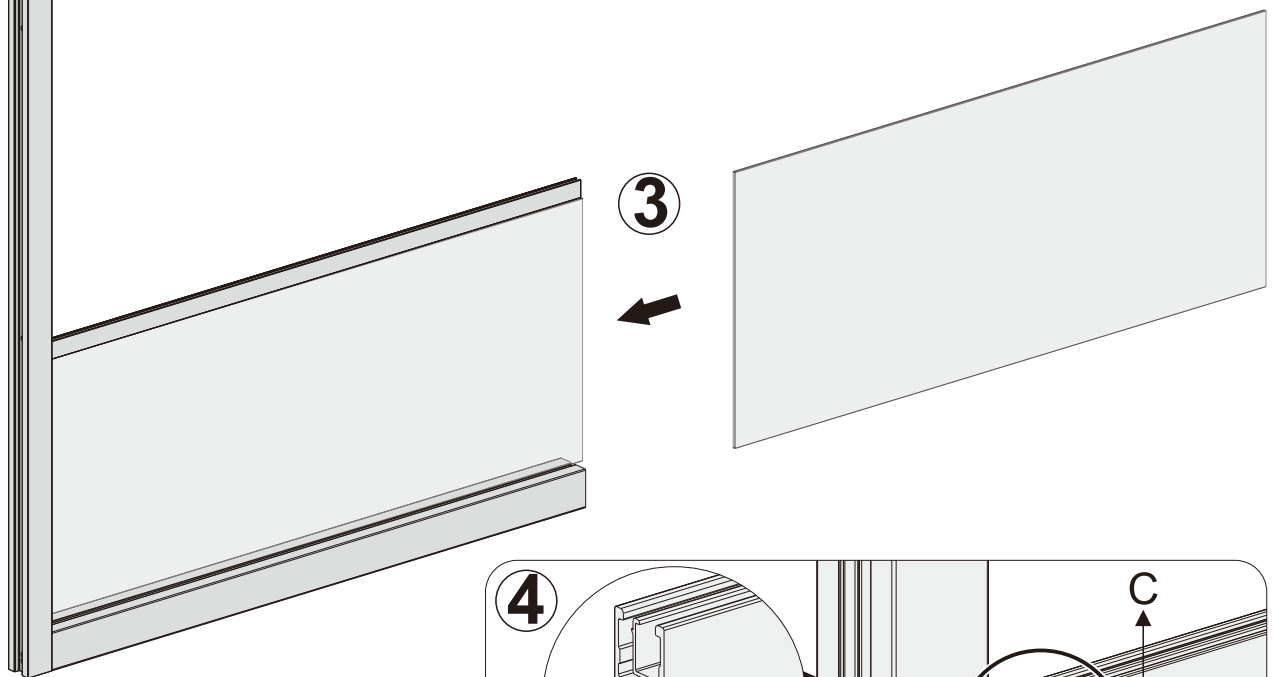
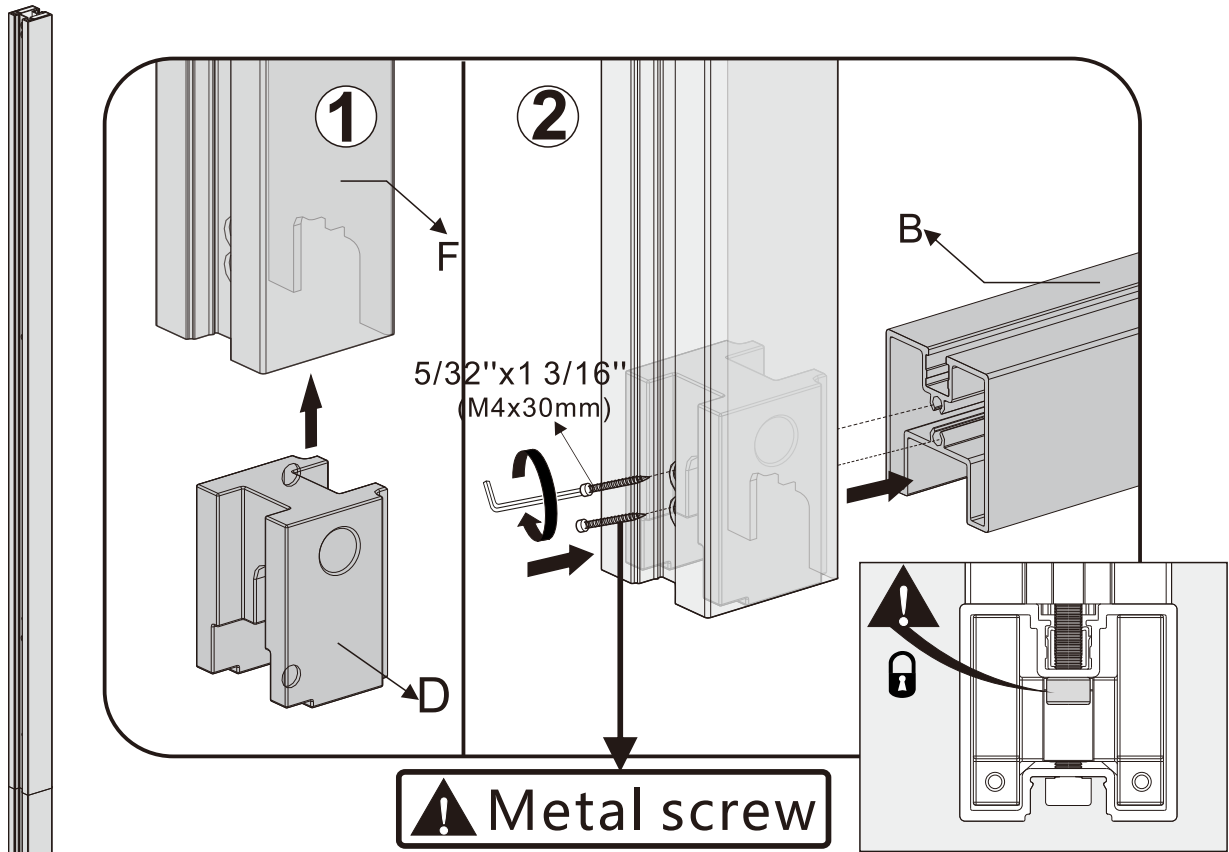
<b>A</b>  x1	<b>B</b>  x1	<b>C</b>  x3	<b>D</b>  x4 x4  1/8"x35/64" St3x14 (x 8)		
<b>E</b>  x2	<b>F</b>  x2 x4 5/32"x1 3/16" M4x30(x10) Metal screw 13/64"x1 3/16" M5x30(x4) Black screw		<b>G</b>  x4	<b>H</b>  x2 (x8) 13/64"x25/64" M5x10	<b>I</b>  x16
<b>J</b>  x4	<b>k</b>  x8	<b>L</b>  x12	 x1		

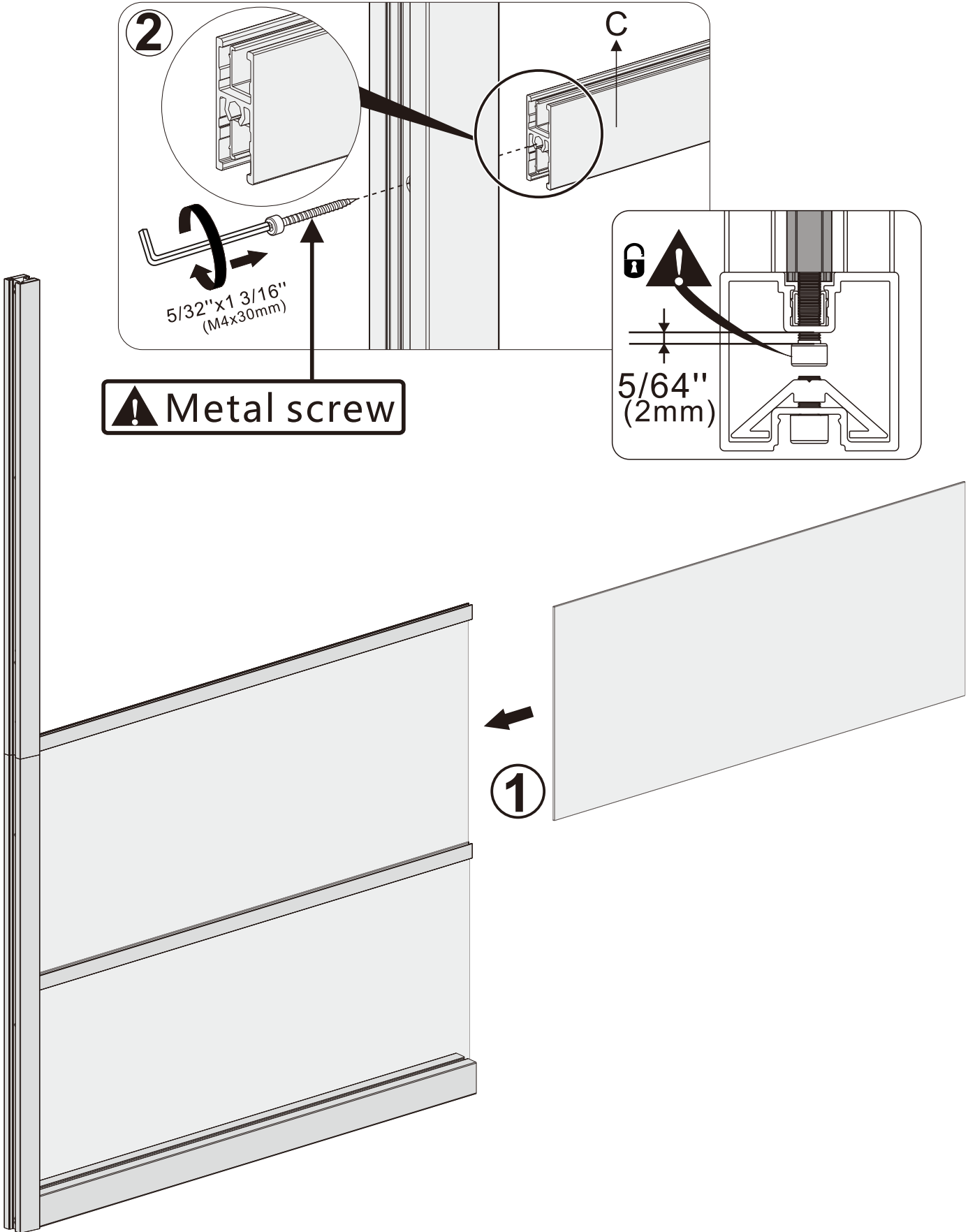




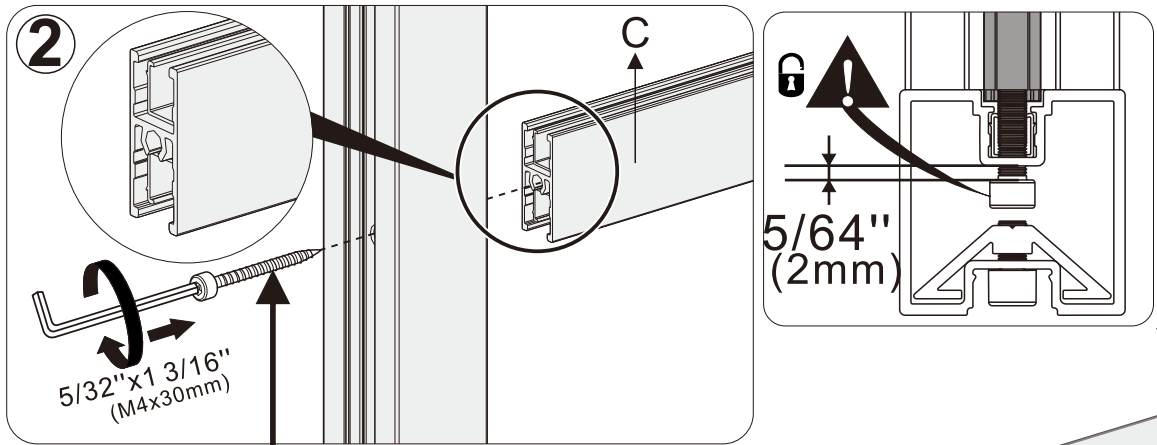




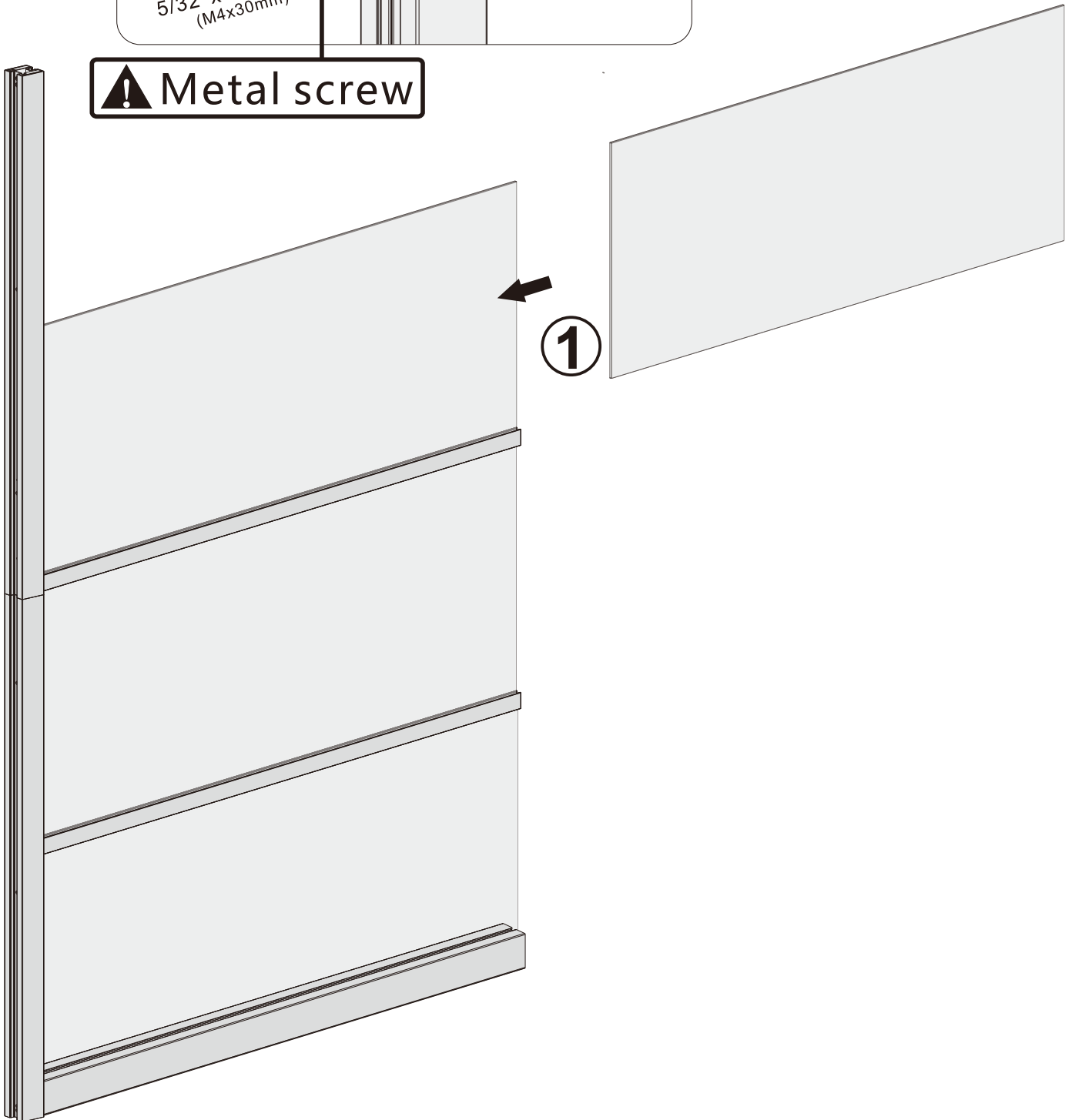


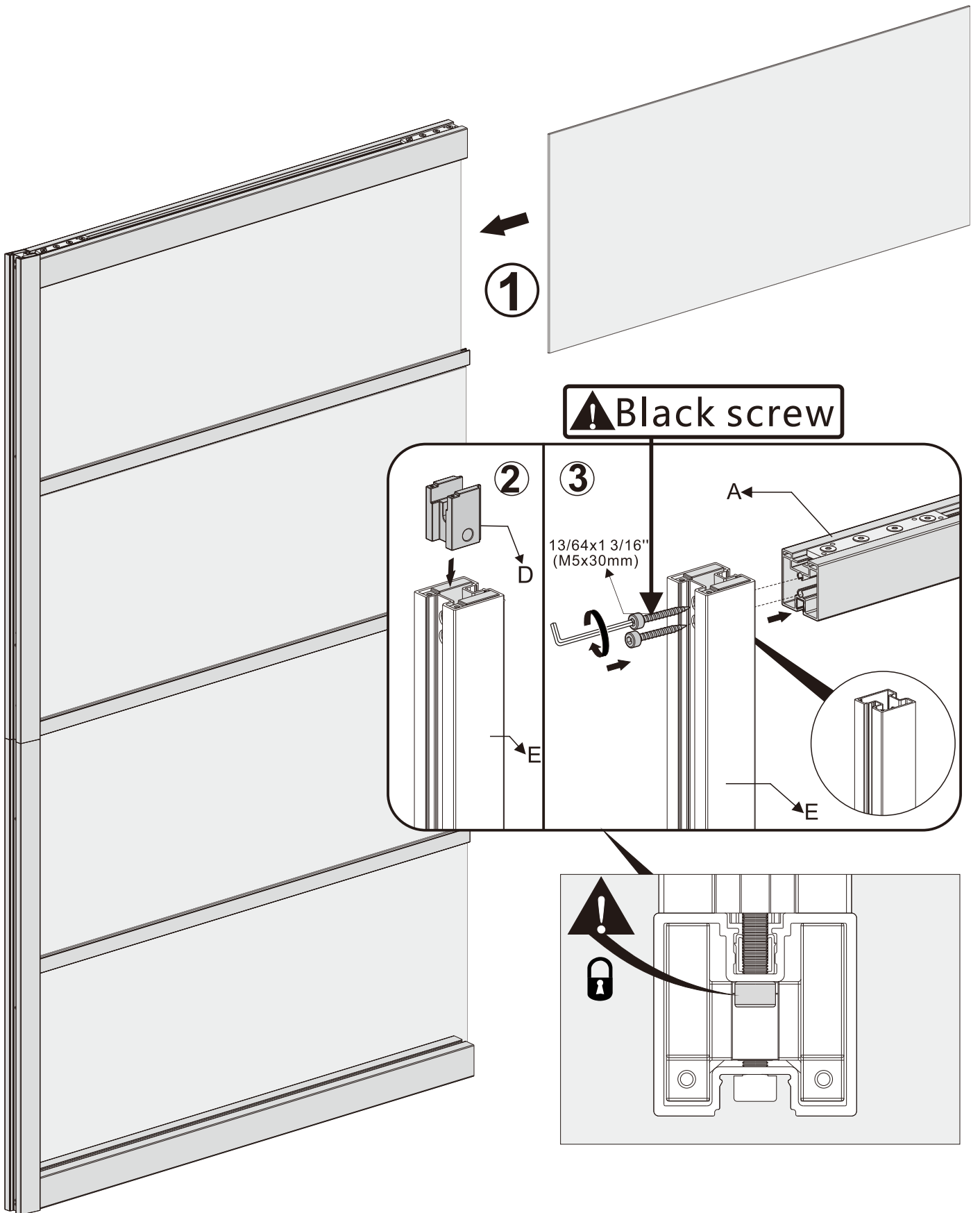


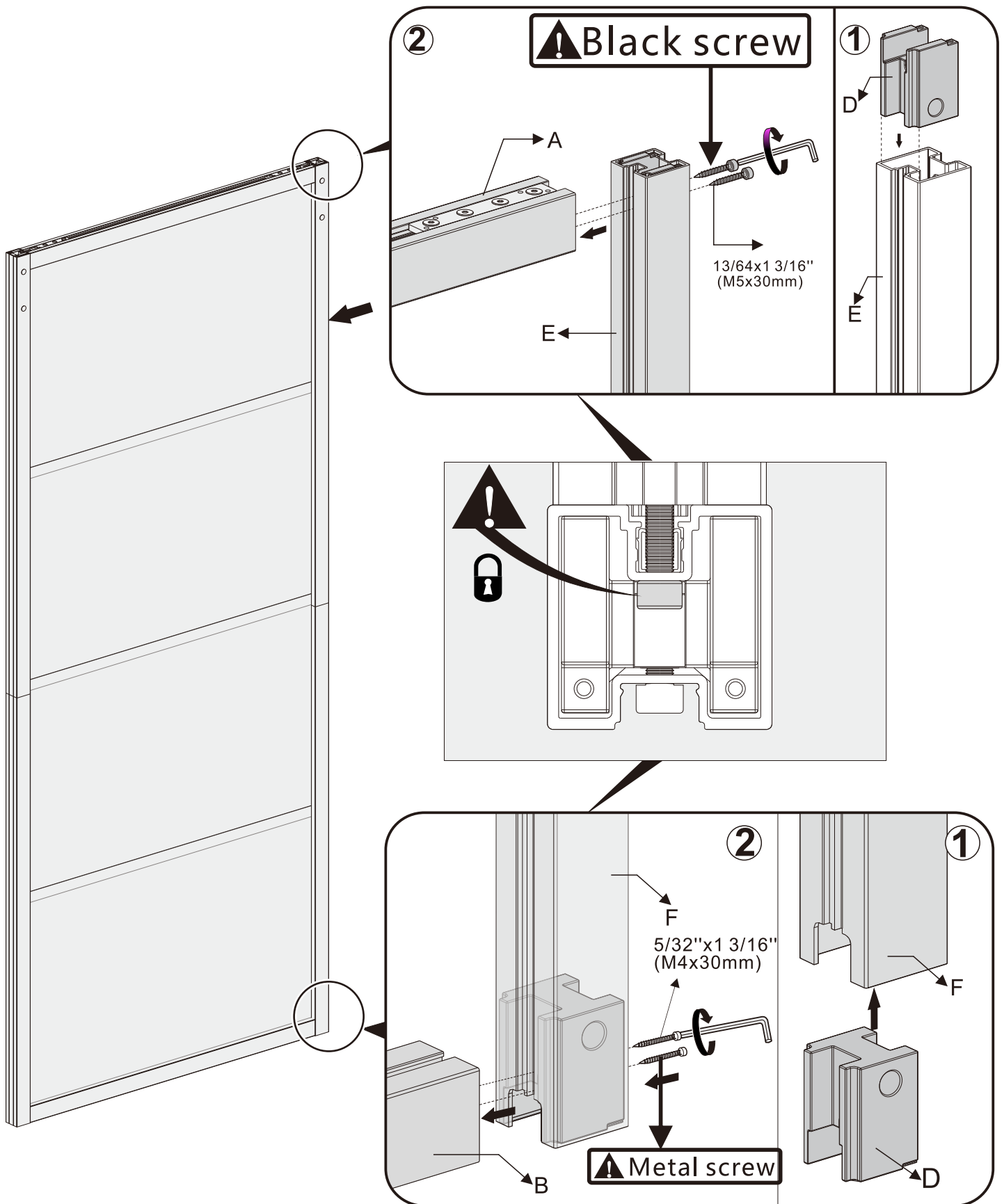


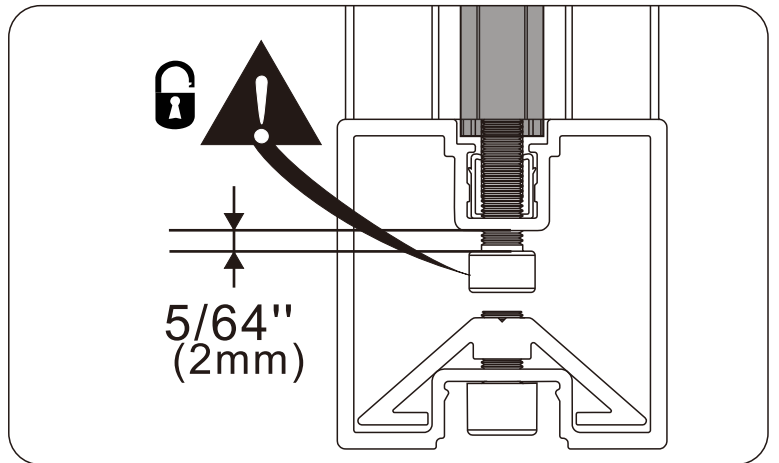
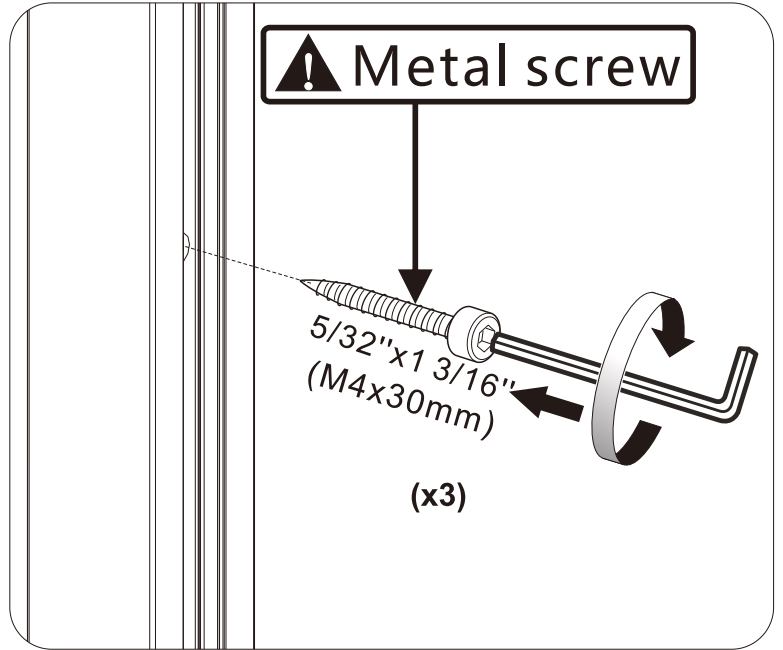
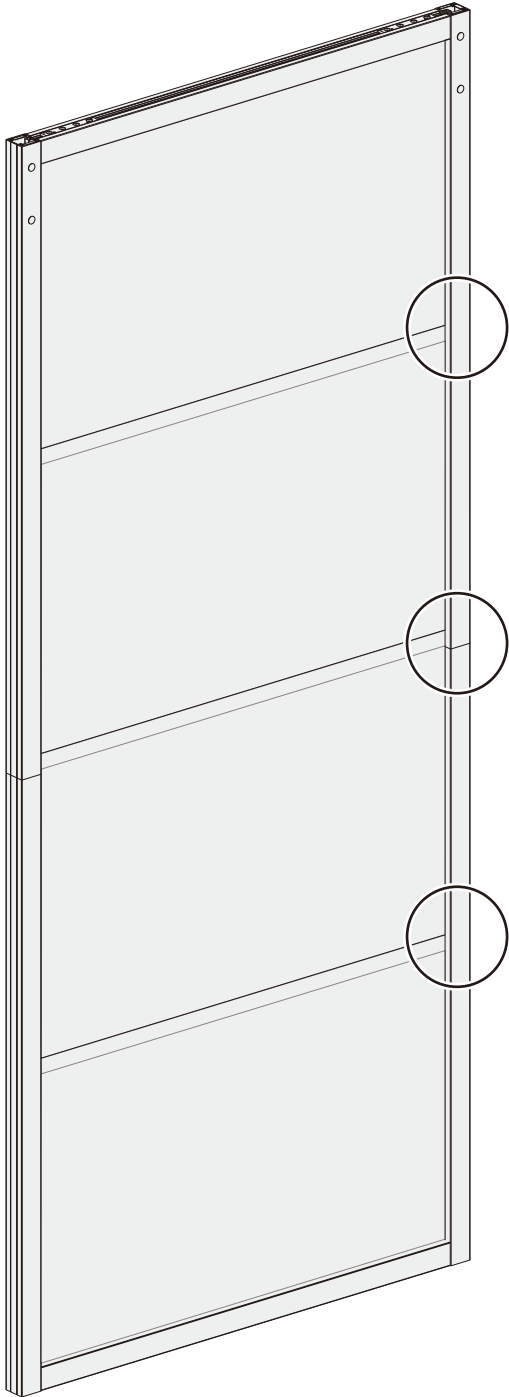


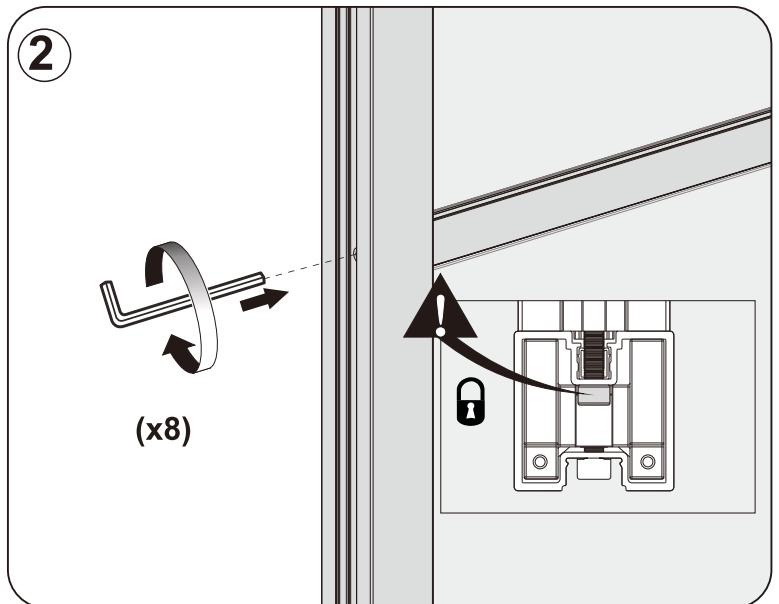
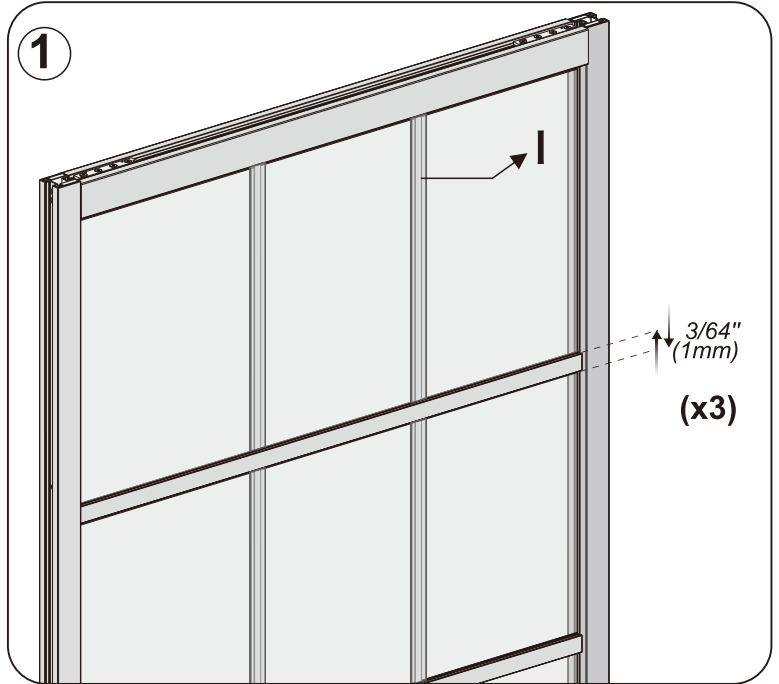
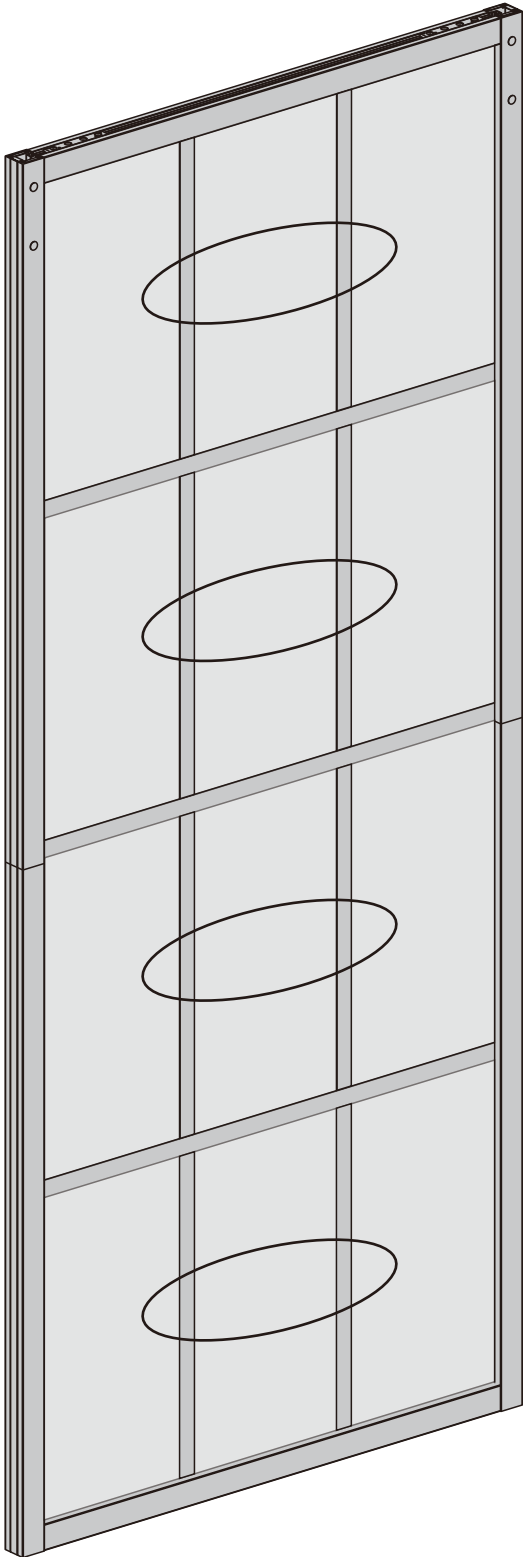
**⚠ Metal screw**

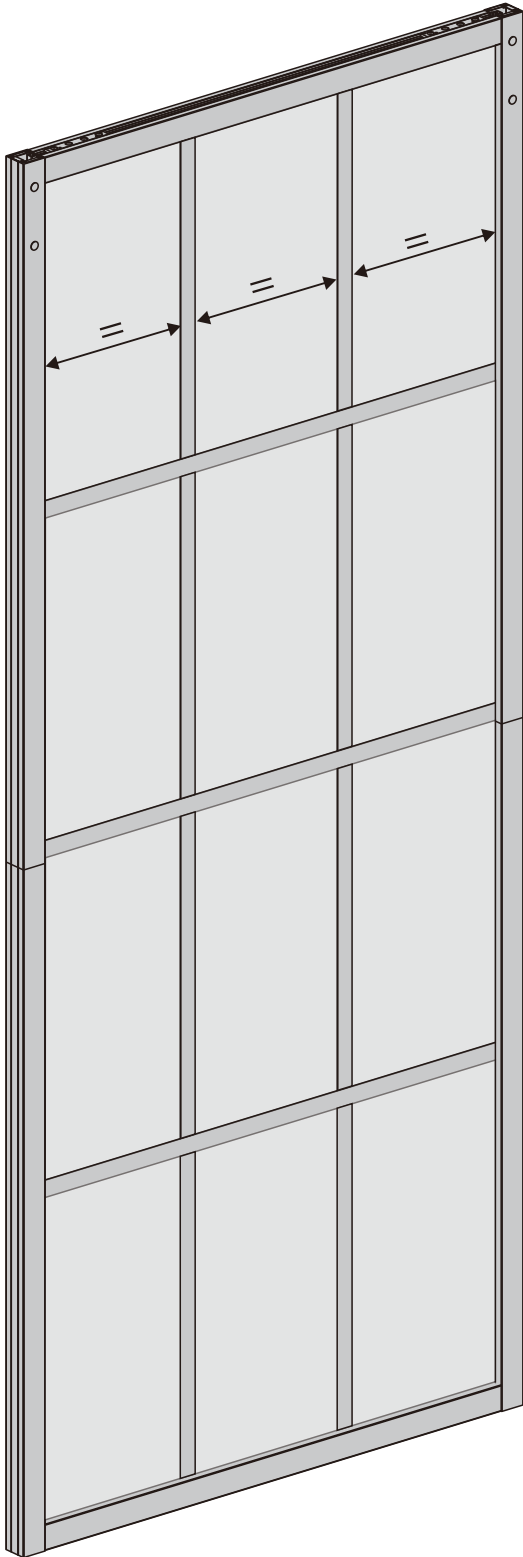




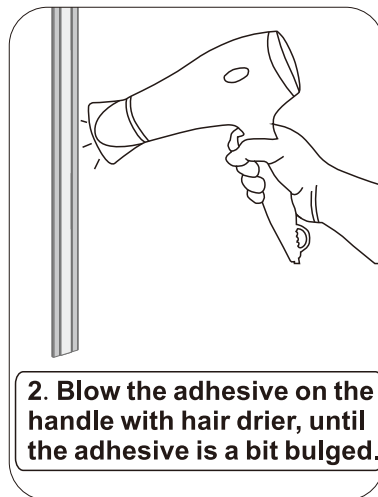






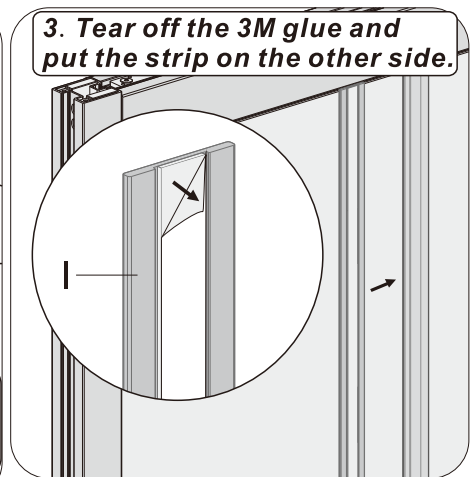



1. Clean the two face of the glass with a bit alcohol.



2. Blow the adhesive on the handle with hair drier, until the adhesive is a bit bulged.

3. Tear off the 3M glue and put the strip on the other side.



 4. Put the two strips on the glass and let them stand for 24 hours before using.

 **24H**

