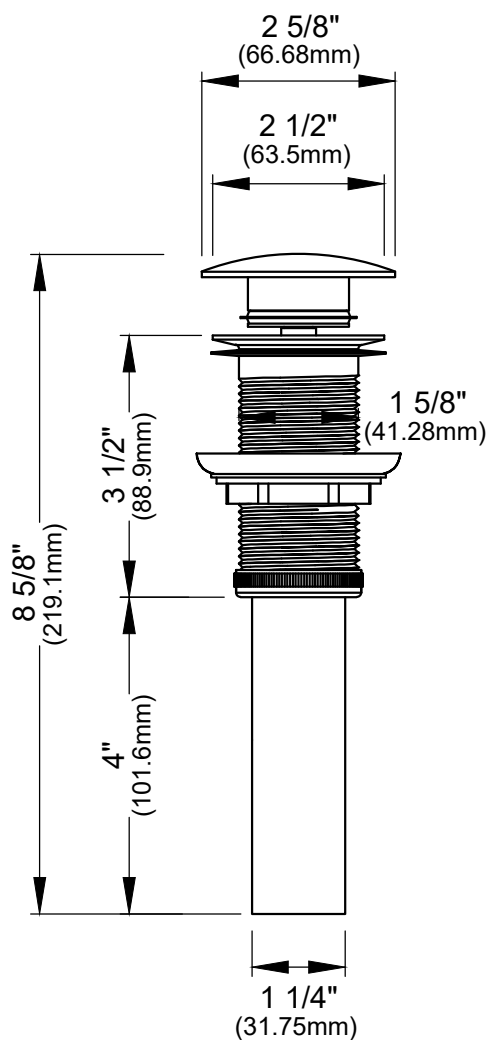


Designed to Fit	Vanity bowls without overflows
Material	Lead-free brass
Finish	Corrosion and rust resistant
Overall Height	8 5/8"
Diameter at top	2 5/8"
Diameter at bottom	1 1/4"
Flange Diameter	2 1/2"
Finishes Available	Stainless Steel, Chrome, Matte Black, Oil Rubbed Bronze, Brushed Copper, Brushed Gold, Gold and Gunmetal Grey
Drain Opening	Fits standard 1 3/4"
What's Included	All rubber gaskets



MODEL	FINISH
PU25MB	Matte Black
PU25SS	Stainless Steel
PU25ORB	Oil Rubbed Bronze
PU25C	Chrome
PU25BC	Brushed Copper
PU25BG	Brushed Gold
PU25G	Gold
PU25GG	Gunmetal Grey



Limited 1 year warranty

We reserve the right to update product specifications without notice. Please visit [karran.com](http://karran.com) for the most current specification sheets. All dimensions are accurate to 1/4". REV 08-2025