

IMPORTANT SAFETY INFORMATION

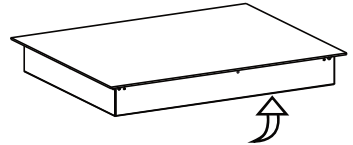
⚠ WARNING Installation and service must be performed by a qualified installer or service technician.

IMPORTANT Read and save these instructions for future reference.

⚠ DANGER Always read and obey all safety information, failure to follow these instructions can be killed or seriously injured.

Before Installing the cooktop

1. Visually inspect the cooktop for damage. Also make sure all cooktop screws are on tight.
 2. Record the model and serial number as found on the front of your cooktop. When ordering parts for or making inquires about your cooktop, always be sure to include the model and serial numbers and a lot number or letter from the rating label on your cooktop.
 3. Cutout dimensions of the countertop.
 4. Make sure the wall coverings, countertop and cabinets around the cooktop can withstand heat (up to 200°F) generated by the cooktop.
 5. Gently lower the cooktop into the countertop cutout.
- NOTE:** Do not seal the cooktop to the countertop, the cooktop must be removable if service is necessary.



Rating label is located in front of the cooktop.

Electrical Connection

⚠ IMPORTANT Observe all governing codes and local ordinances.

- Model BIC 244 needs 40 Amp service.

Maximum Connected Load

Model BIC 2447.4 kW at 240 VAC,6.4 kW at 208VAC

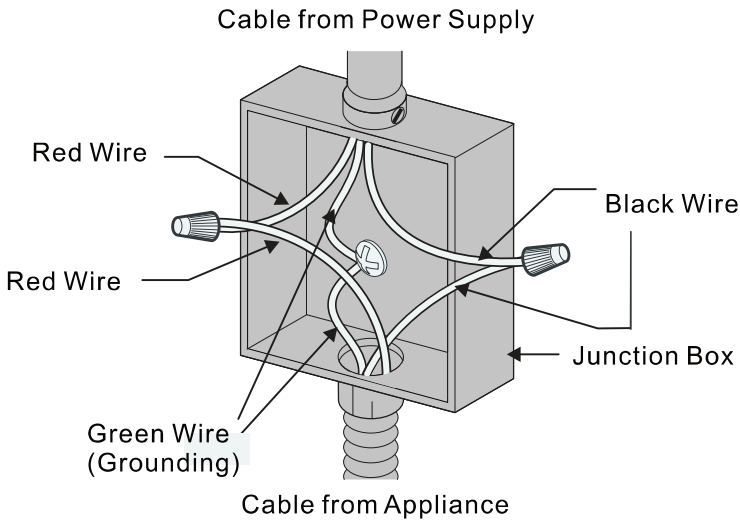
Installation Instructions

The Induction Cooktops must connect to a separate, grounded wire, single phase, AC Only electrical supply with their own circuit breaker. These appliances must be installed in accordance with National Electrical Codes, as well as all state, municipal and local codes. This appliance must be supplied with the proper voltage and frequency and amperage, which is protected by a properly sized circuit breaker or time delay fuse.

⚠️ WARNING The cable from appliance is equipped with 3-wire:

If 3-Wire Cable from Home Power Supply

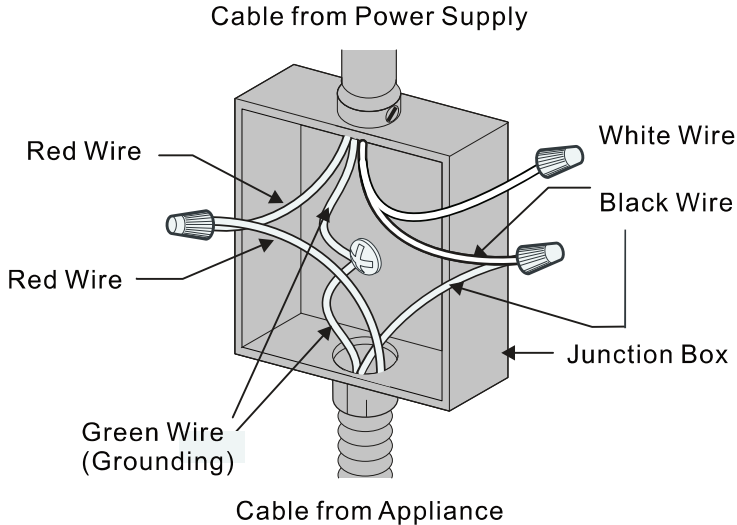
IMPORTANT: Use the 3-wire cable from Home Power Supply where local codes permit a 3-wire connection.



3-Wire Cable from Home Power Supply

If 4-Wire Cable from Home Power Supply

IMPORTANT: Use the 4-wire cable from Home Power Supply where local codes do not allow grounding through neutral.



4-Wire Cable from Home Power Supply

Electrical ground is required on this appliance

⚠ WARNING The cooktop conduit wiring is approved for copper wire connection only, if you have aluminum house wiring, use only special connectors which are approved for joining copper and aluminum wires conform with local codes and ordinances. Follow the electrical connector manufacturer's recommended procedure closely.

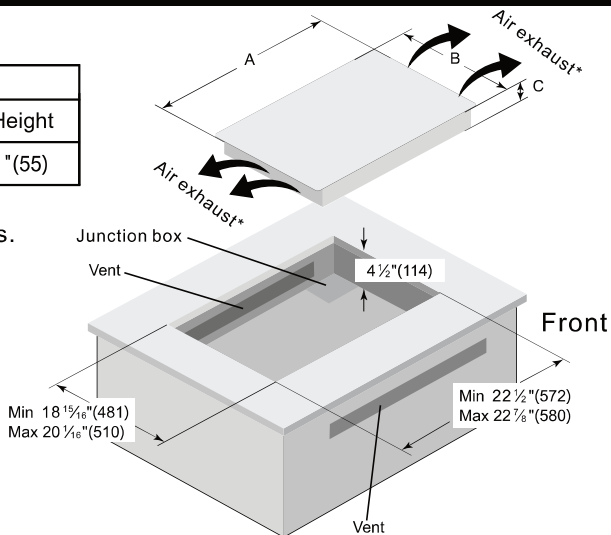
Installation Instructions

Installation — 24" (59cm) Model BIC 244

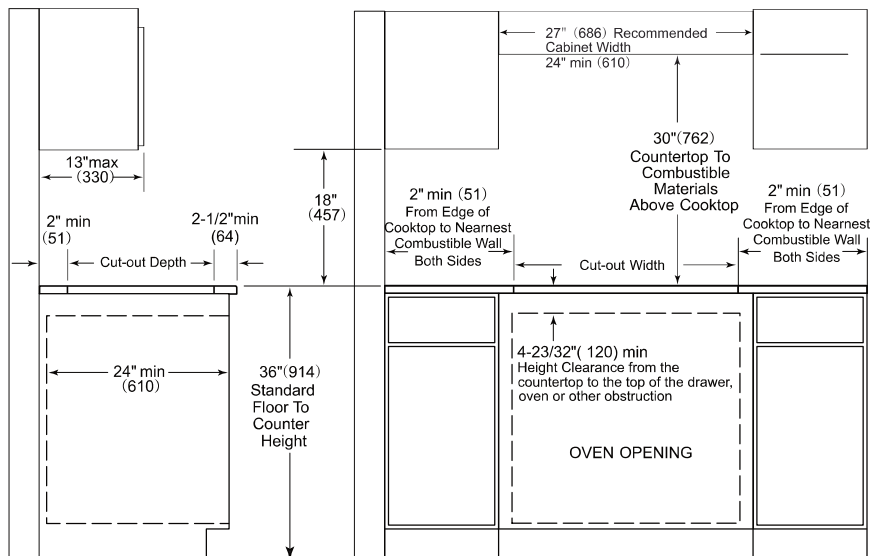
Cooktop Dimensions		
A. Width	B. Depth	C. Height
23 ⁷ / ₃₂ " (590)	20 ¹⁵ / ₃₂ " (520)	2 ¹ / ₈ " (55)

* DO NOT obstruct these areas.

IMPORTANT: For perfect ventilation, provide a vent of under the countertop, in the front of the cabinet and in the back of the cabinet. The ventilation opening is to extend the full length of the cooktop cutout.

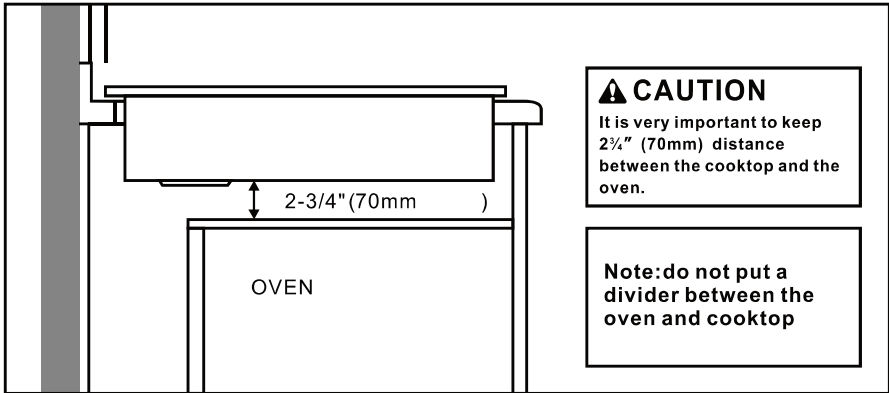


BIC 244 Cooktop and Cutout Dimension



BIC 244 Countertop Cut-Out Opening

All dimensions are stated in inches and (mm).



Spacer Graphic Profile

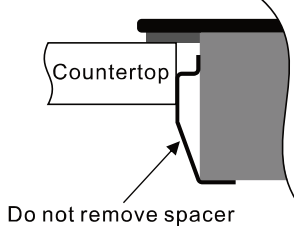


Fig.1

NOTE: The cooktops include spacers on both sides to ensure proper airflow once installed. Do not remove the spacers(fig. 1).

After Installation

1. Remove all the stickers and items from the top of the cooktop surface.
2. Clean cooktop before use. Dry with a soft cloth. See **Cleaning Your Cooktop** for reference.
3. Read **Using Your Cooktop**.
4. Turn on the power to the cooktop.
5. Verify all function operation properly.