

AMERICAN BATH GROUP

REV	MODIFICATION DESCRIPTION	BY	DATE
Initial		SD	2024-08-28

GENERAL TOLERANCES (Unless otherwise specified)	
X/X	±1/8 ±3
X.X	±0.125 ±3
X.XX	±0.06 ±1.5
X.XXX	±0.031 ±0.79
X.X*	±0.5*
Inch	Max. Radi ±0.015 ±0.035

TITLE: 2024-ABG-0009 (Overview 6032) - SPEC DRAWING	
NAME	DATE
DRAWN BY	
APPROVED BY	
SHEET 1 OF 2	FORMAT A SCALE: 1:20
DWG. # 2024-ABG-0009 (Overview 6032)	
REV:	

AMERICAN BATH GROUP, OU ENCORE L'UNE DE SES FILIALES, EST L'UNIQUE PROPRIÉTAIRE DE CE DOCUMENT ET DES INFORMATIONS CONFIDENTIELLES OÙ IL RENFERME. NUL NE PEUT EN FAIRE L'USAGE QUEL QU'EN SOIT L'OBJET. VISE, LES REPRODUIRE OU LES DIVULGUER, SANS LE CONSENTEMENT ÉCRIT, EXPLIÉ DE MAX CORPORATION OU DE SA FILIALE APPROPRIÉE. THIS DOCUMENT AND THE INFORMATION IT CONTAINS ARE THE EXCLUSIVE PROPERTY OF AMERICAN BATH GROUP OR ANY OF ITS SUBSIDIARIES, AND ARE PROPRIETARY AND CONFIDENTIAL. NEITHER THIS DOCUMENT NOR ANY OF THE INFORMATION CONTAINED IN IT MAY BE USED FOR ANY PURPOSE, NOR REPRODUCED OR DISCLOSED BY YOU TO OTHERS, WITHOUT THE EXPRESS WRITTEN CONSENT OF MAX CORPORATION OR ITS APPROPRIATE SUBSIDIARY.

1

2

3

4

D

D

C

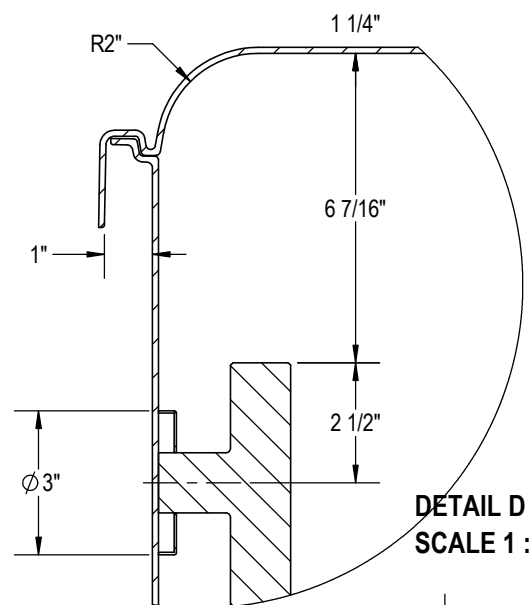
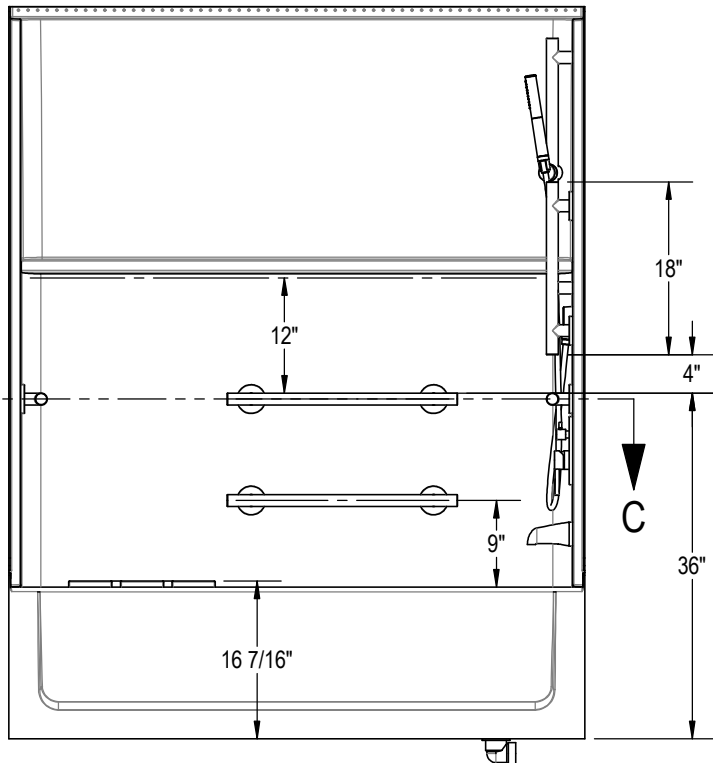
C

B

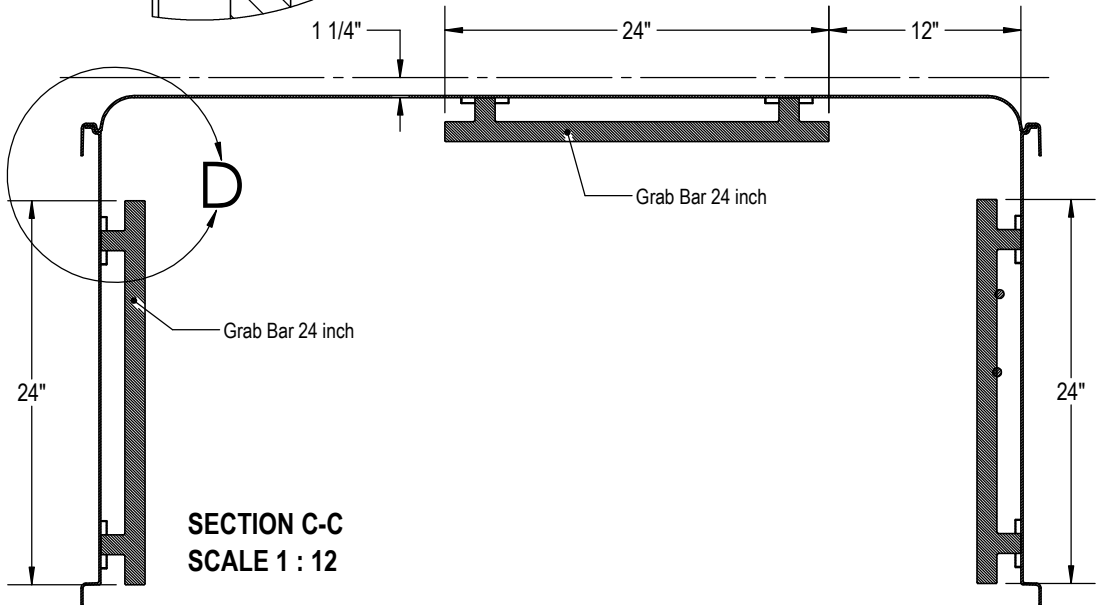
B

A

A

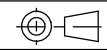


DETAIL D
SCALE 1 : 4



SECTION C-C
SCALE 1 : 12

AMERICAN ★ BATH GROUP



TITLE:
2024-ABG-0009 (Overview 6032) - SPEC DRAWING

REV	MODIFICATION DESCRIPTION	BY	DATE
Initial		SD	2024-08-28

GENERAL TOLERANCES (Unless otherwise specified)		
	IN	MM
X/X	±1/8	±3
X.X	±0.125	±3
X.XX	±0.06	±1.5
X.XXX	±0.031	±0.79
X.X*	±0.5*	
Inch	Max. Radi ±0.015	±0.035

DRAWN BY	NAME	DATE
APPROVED BY		
SHEET 2 OF 2	FORMAT	A
SCALE:		1:20

DWG. # 2024-ABG-0009 (Overview 6032)

REV:

1

2

3

AMERICAN BATH GROUP, OU ENCORE L'UNE DE SES FILIALES, EST L'UNIQUE PROPRIÉTAIRE DE CE DOCUMENT ET DES INFORMATIONS CONFIDENTIELLES QUI LE RENFERME. NUL NE PEUT EN FAIRE L'USAGE QUEL QU'EN SOIT L'OBJET. VISE, LES REPRODUIRE OU LES DIVULGUER, SANS LE CONSENTEMENT ÉCRIT, EXPLIÉTE DE MAX CORPORATION OU DE SA FILIALE APPROPRIÉE. THIS DOCUMENT AND THE INFORMATION IT CONTAINS ARE THE EXCLUSIVE PROPERTY OF AMERICAN BATH GROUP OR ANY OF ITS SUBSIDIARIES, AND ARE PROPRIETARY AND CONFIDENTIAL. NEITHER THIS DOCUMENT NOR ANY OF THE INFORMATION CONTAINED IN IT MAY BE USED FOR ANY PURPOSE, NOR REPRODUCED OR DISCLOSED BY YOU TO OTHERS, WITHOUT THE EXPRESS WRITTEN CONSENT OF MAX CORPORATION OR ITS APPROPRIATE SUBSIDIARY.