



Limited Lifetime Warranty

The manufacturer warrants that the parts and assemblies of this product will be free from defects in material and workmanship under normal household use for as long as it is owned by the original consumer purchaser.

This warranty covers the original purchaser with original receipt only and does not include business, commercial or industrial use of this product. This warranty shall not apply to goods which have been subject to accidents, negligence or improper installation. Our responsibility under this warranty is limited only to the replacement of parts and no other costs. Should a malfunction occur within the time covered by this warranty, replacement parts may be obtained from Customer Service Department 1 - 800 - 626 - 3525 or email warranty@cmiproduct.com. The manufacturer will, at its discretion, provide replacement parts for installation by consumer for any parts that prove defective under normal usage and service with new or equivalent parts.

Model No. : 191-6600 Polished Chrome
191-6601 Brushed Nickel *Spotless PVD*[™]
191-6639 Oil-Rubbed Bronze



Single Handle Pull-Down Kitchen Faucet
3 Hole or Single Hole Installation



Helpful Information

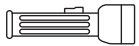
Helpful Tools

Tools:

Gather the necessary tools as shown below to complete the installation of this faucet. Some may not be needed depending on the model of faucet you are installing. Check with your local hardware store on the requirements of your installation situation.



Plumber's Putty



Flashlight



Basin Wrench



Safety Glasses



Screwdriver



Pliers



Channel Locks



Adjustable Wrench

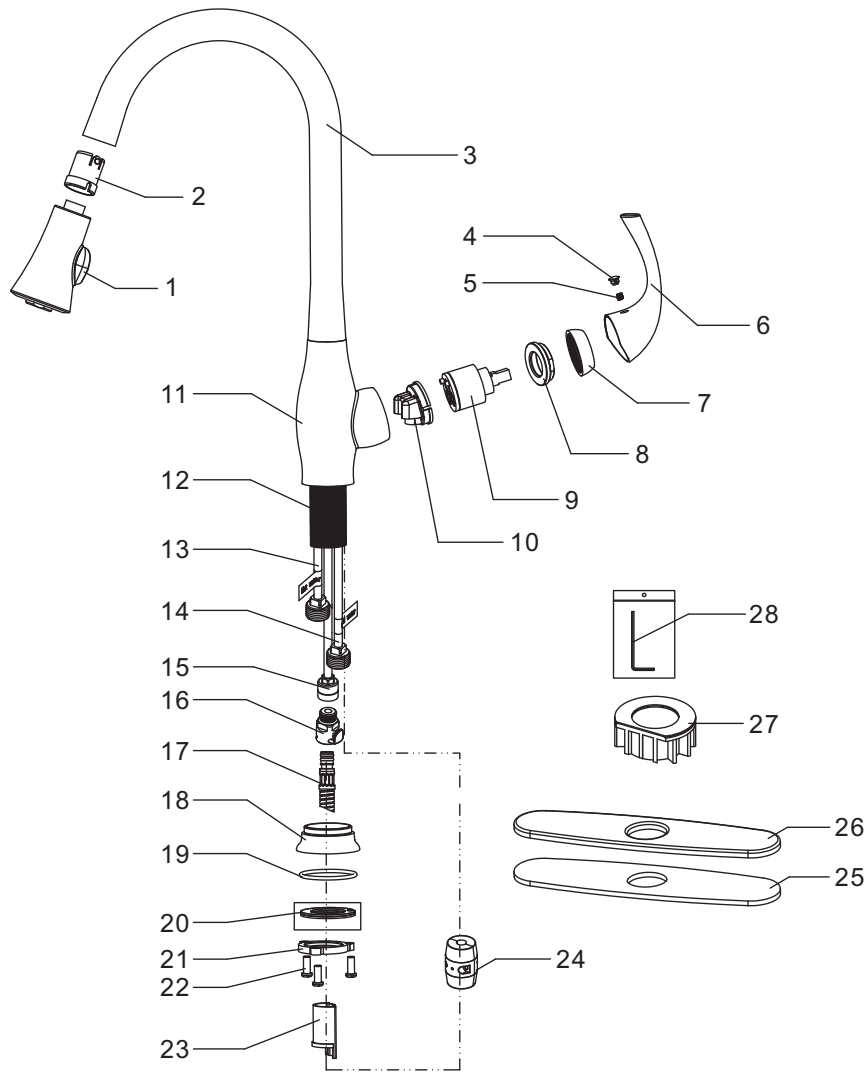
5

Parts List

28	Allen Key
27	Plastic Base
26	Deck Plate
25	Putty Plate
24	Weight
23	Protective Sleeve
22	Screw
21	Locknut
20	Clamp
19	O-ring
18	Hub Base
17	Pull-Out Hose
16	Quick Connect Assembly
15	Copper Tube
14	Copper Tube
13	Copper Tube
12	Shank
11	Body
10	Cartridge Seat
9	Cartridge
8	Cartridge Locknut
7	Trim Cap
6	Handle
5	Set Screw
4	Index
3	Spout
2	Spout Hub Bushing
1	Spray
No.	Part Name

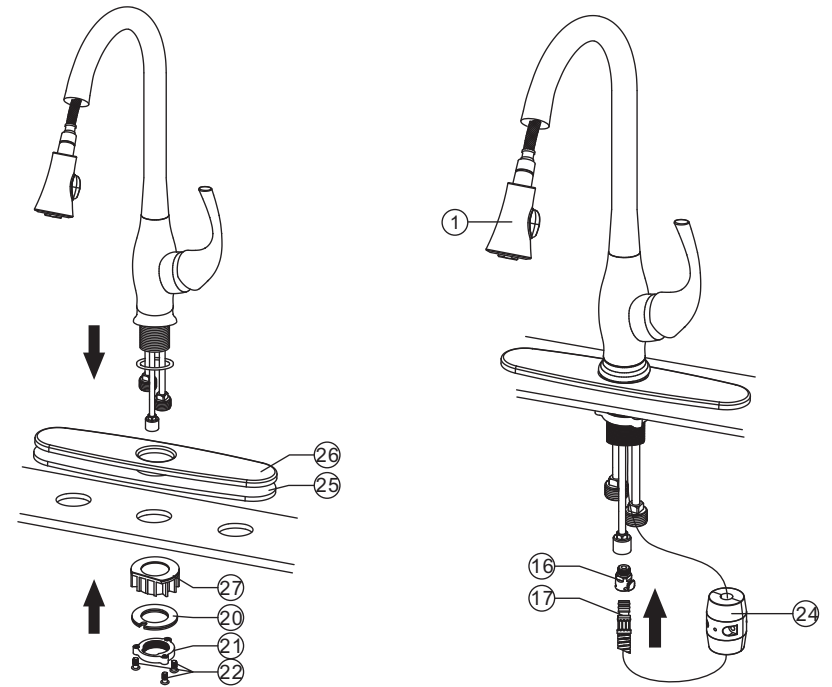
4

Parts Diagram



1

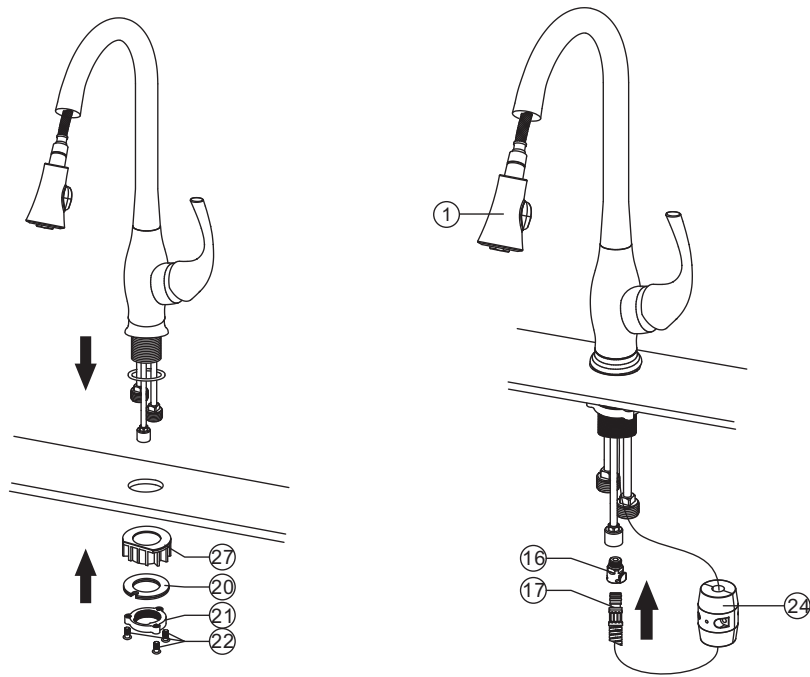
Install With Deck Plate



1. Assemble deck plate ②⑥ and putty plate ②⑤ to faucet.
2. Position faucet on countertop.
3. From underneath the countertop, assemble plastic base ②⑦ (NOTE: applicable when the faucet is installed in sink), clamp ②⑩ and locknut ②⑪ and screw ②⑫. Tighten the locknut by hand and secure the screws with screwdriver.
4. Connect pull-out hose ①⑦ to quick connect assembly ①⑬.
 CAUTION: Make sure hose is properly engaged and secure in quick connect assembly.
5. Fix the weight ②④ to the pull-out hose ①⑦.
6. Connect supply lines to water supply valve. (supply valves and supply lines are not included, please purchase them in local plumbing shops).
 CAUTION: DON'T OVER TIGHTEN THE SUPPLY LINES. OTHERWISE IT MIGHT DAMAGE THE WASHERS AND NUTS OF SUPPLY LINES AND CAUSE LEAK.
7. Remove spray ① from faucet and flush water through faucet to remove any line trash.
8. Replace spray ① and run water through faucet for checking leaks at all connections.

2

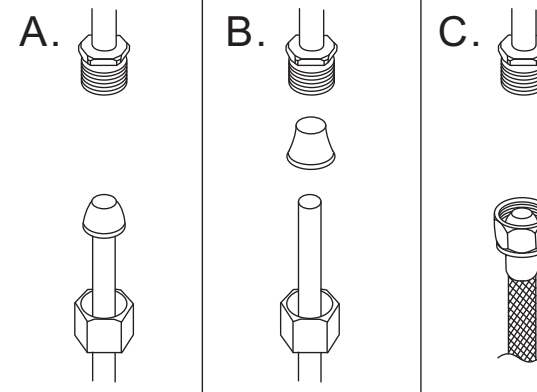
Install Without Deck Plate



1. Position faucet on countertop.
2. From underneath the countertop, assemble plastic base ⑳ (NOTE: applicable when the faucet is installed in sink), clamp ㉑ and locknut ㉒ and screw ㉓. Tighten the locknut by hand and secure the screws with screwdriver.
3. Connect pull-out hose ㉑ to quick connect assembly ㉒.
CAUTION: Make sure hose is properly engaged and secure in quick connect assembly.
4. Fix the weight ㉔ to the pull-out hose ㉑.
5. Connect supply lines to water supply valve. (supply valves and supply lines are not included, please purchase them in local plumbing shops).
CAUTION: DON'T OVER TIGHTEN THE SUPPLY LINES. OTHERWISE IT MIGHT DAMAGE THE WASHERS AND NUTS OF SUPPLY LINES AND CAUSE LEAK.
6. Remove spray ① from faucet and flush water through faucet to remove any line trash.
7. Replace spray ① and run water through faucet for checking leaks at all connections.

3

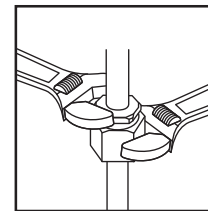
Configuration



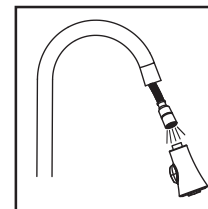
Warning:
The supply valves and supply lines are not included, please purchase them in plumbshop.

Connect to water supply lines with either:

- (A) 3/8" O.D. Copper tubing (ball nose risers with the coupling nuts or;
 (B) 3/8" Copper tubing (no ball) with supplied tube head interior connector or;
 (C) IPS faucet connectors (1/2")

**Important:**

Important
Tighten connection with two wrench to prevent damage to tube body. Be careful not to bend the stem as this will void the product warranty.

**Important:**

Remove the Sprayer and let both hot and cold water run for one minute. To clear any line trash. This will help clean any debris that might clog the system. Re-assemble Sprayer.

Test system for leaks .