

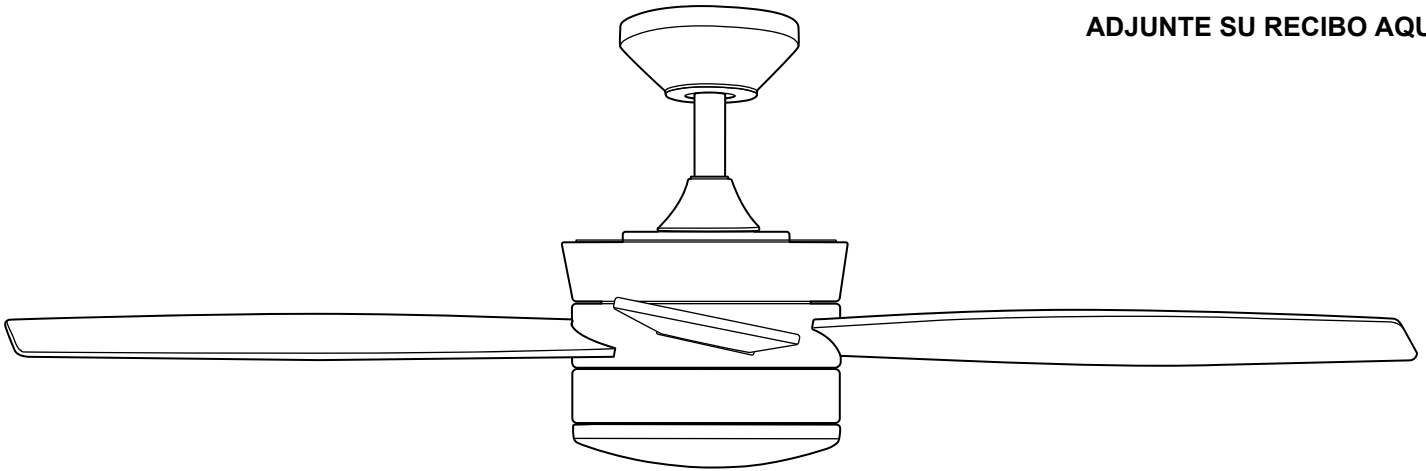
ITEM #5519818
MODEL #AUR52MBK5LR

AURORA LED CEILING FAN

Español p. 22

ATTACH YOUR RECEIPT HERE

ADJUNTE SU RECIBO AQUÍ



Purchase Date _____




Intertek
4007498

Questions, problems, missing parts? Before returning to your retailer, call our customer service department at **800-527-1292**, 8:30 a.m. - 5 p.m., CST, Monday - Friday.

TABLE OF CONTENTS

Safety Information	2
Package Contents	5
Hardware Contents	6
Preparation	6
Initial Installation	6
Downrod-Style Fan Mounting	8
Closemount-Style Fan Mounting	10
Wiring	12
Final Installation	13
Operating Instructions	16
Care and Maintenance	19
Troubleshooting	20
Limited Lifetime Warranty	21
Replacement Parts List	21

SAFETY INFORMATION

 **CAUTION:** Changes or modifications not approved by the party responsible for compliance could void the user's authority to operate the equipment.

*NOTE: This equipment has been tested and found to comply with the limits for a Class B digital device, pursuant to Part 15 of the FCC Rules. These limits are designed to provide reasonable protection against harmful interference in a residential installation. This equipment generates, uses and can radiate radio frequency energy and, if not installed and used in accordance with the instructions, may cause harmful interference to radio communications. However, there is no guarantee that interference will not occur in a particular installation. If this equipment does cause harmful interference to radio or television reception, which can be determined by turning the equipment off and on, the user is encouraged to try to correct the interference by one or more of the following measures:

- * Reorient or relocate the receiving antenna.
- * Increase the separation between the equipment and receiver.
- * Connect the equipment into an outlet on a circuit different from that to which the receiver is connected.

Consult the dealer or an experienced radio/TV technician for help.

The device complies with Part 15 of the FCC Rules. Operation is subject to the following two conditions: (1) this device may not cause harmful interference, (2) this device must accept any interference received, including interference that may cause undesired operation.

Distributed by: Litex Industries Inc., P.O. Box 535639, Grand Prairie, TX, 75050; 800-527-1292

NOTE: Dimmable to 10%.

SAFETY INFORMATION

READ AND SAVE THESE INSTRUCTIONS

Please read and understand this entire manual before attempting to assemble, install or operate the product. Review the accompanying assembly diagrams.

- Do not discard fan carton or foam inserts. Should this fan need to be returned to the factory for repairs, it must be shipped in its original packaging to ensure proper protection against damage that might exceed the initial cause for return.
- Make sure all electrical connections comply with local codes, ordinances, the National Electrical Code and ANSI/NFPA 70-1999. Hire a qualified electrician or consult a do-it-yourself wiring handbook if you are unfamiliar with installing electrical wiring.
- Make sure the installation site you choose allows a minimum clearance of 7 ft. from the blades to the floor and at least 30 in. from the end of the blades to any obstruction.
- After you install the fan, make sure all connections are secure to prevent the fan from falling.
- The net weight of this fan including the light kit is: 15.87 lbs.

DANGER

When using an existing outlet box, make sure the outlet box is securely attached to the building structure and can support the full weight of the fan. Failure to do this can result in serious injury or death. The stability of the outlet box is essential in minimizing wobble and noise in the fan after installation is complete.

To reduce the risk of serious bodily injury, DO NOT use power tools to assemble any part of the fan, including the blades.

WARNING



To reduce the risk of fire, electrical shock or personal injury, mount fan to outlet box marked "ACCEPTABLE FOR FAN SUPPORT OF 35 LBS. OR LESS" and use mounting screws provided with the outlet box. Most outlet boxes commonly used for the support of lighting fixtures are not acceptable for fan support and may need to be replaced. Consult a qualified electrician if in doubt.

When mounting fan to a ceiling outlet box, use a METAL octagonal outlet box; do NOT use a plastic outlet box. Secure the outlet box directly to the building structure. The outlet box and its support must be able to support the moving weight of the fan (at least 35 lbs.).

To avoid personal injury, the use of gloves may be necessary while handling fan parts with sharp edges.

To reduce the risk of fire, electrical shock or personal injury, wire connectors provided with this fan are designed to accept only one 12-gauge house wire and two lead wires from the fan. If your house wire is larger than 12-gauge or there is more than one house wire to connect to the corresponding fan lead wires, consult an electrician for the proper size wire connectors to use.

WARNING

To reduce the risk of fire or electrical shock, do not use the fan with any solid state speed control device or control fan speed with a full range dimmer switch.

To reduce the risk of fire, electrical shock or personal injury, do not bend the blade arms when installing them, balancing the blades or cleaning the fan. Do not insert objects between the rotating fan blades.

To reduce the risk of personal injury, use *only* parts provided with this fan. The use of parts *OTHER* than those provided with this fan will void the warranty.

Before proceeding, be sure to shut off electricity at main switch or circuit breaker in order to avoid electrical shock.

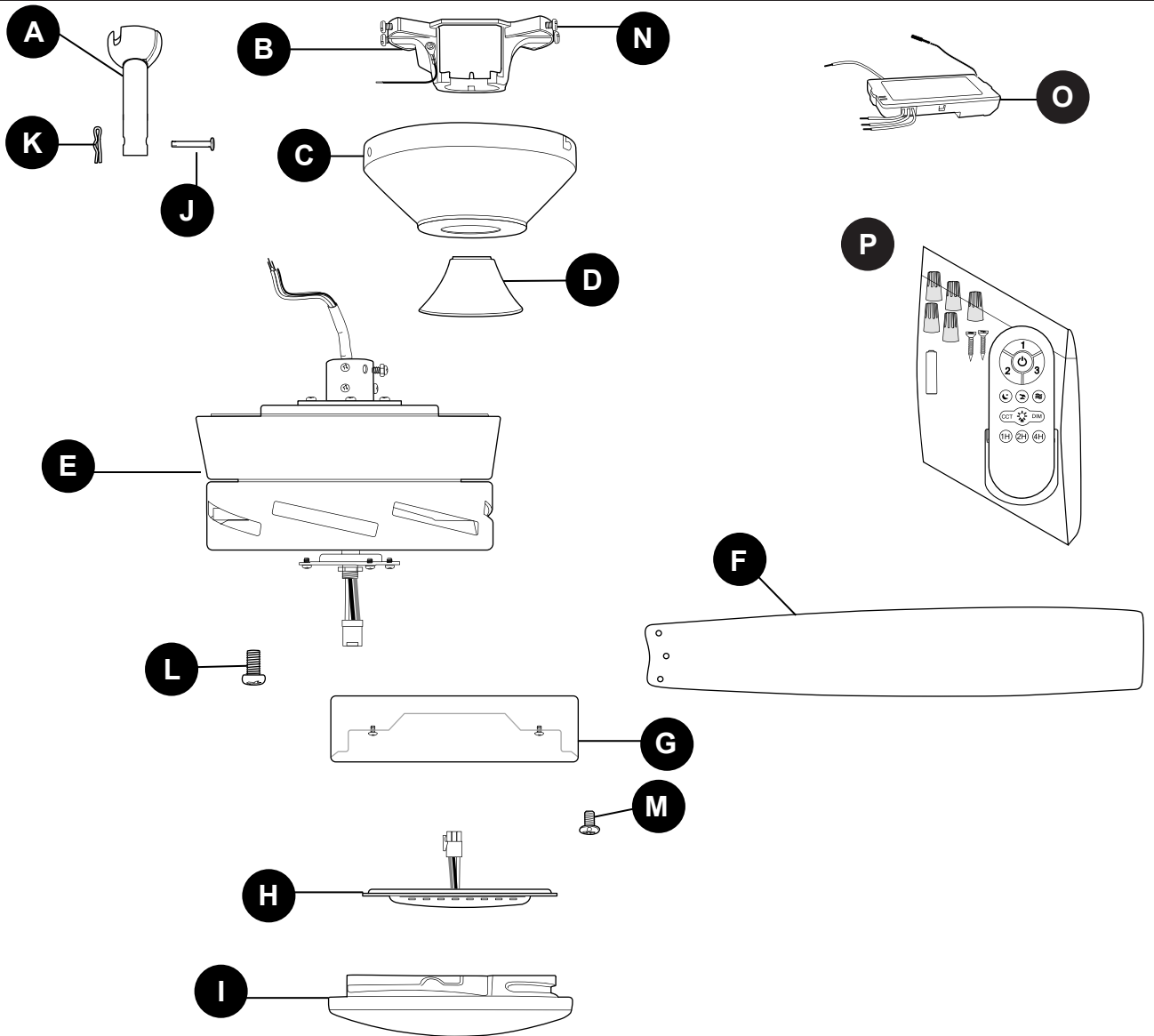
CAUTION

Be sure outlet box is properly grounded and that a ground wire (green or bare) is present.

Once installation is complete, carefully check all screws, bolts and nuts on fan motor assembly to ensure that they are secured.

Do NOT tamper with or attempt to repair LED component. The light source is designed for this specific application and should not be serviced by untrained personnel. If any servicing is required, call our customer service department.

PACKAGE CONTENTS



PART	DESCRIPTION	QUANTITY
A	Downrod	1
B	Mounting Bracket (preassembled)	1
C	Canopy	1
D	Yoke Cover	1
E	Motor Housing	1
F	Blade	5
G	Fitter Plate	1
H	LED Light Kit	1
I	Shade	1
J	Pin (preassembled)	1
K	Clip (preassembled)	1

PART	DESCRIPTION	QUANTITY
L	Motor Plate Screw (preassembled)	3
M	Fitter Plate Screw (preassembled)	3
N	Canopy Mounting Screw/lock washer (preassembled)	4
O	Remote Control Receiver	1
P	Remote Pack	1

⚠ IMPORTANT REMINDER: You must use the parts provided with this fan for proper installation and safety.

HARDWARE CONTENTS (shown actual size)

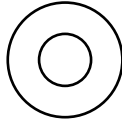
AA



Blade
Screw

Qty. 15
+ 1 extra

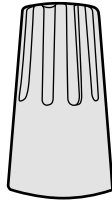
BB



Fiber
Washer

Qty. 15
+ 1 extra

CC



Wire
Connector

Qty. 4

PREPARATION

Before beginning assembly of product, make sure all parts are present. Place motor on carpet or on foam to avoid damage to finish. Compare parts with package contents list and hardware contents list. If any part is missing or damaged, do not attempt to assemble the product.

Estimated Assembly Time: 120 minutes

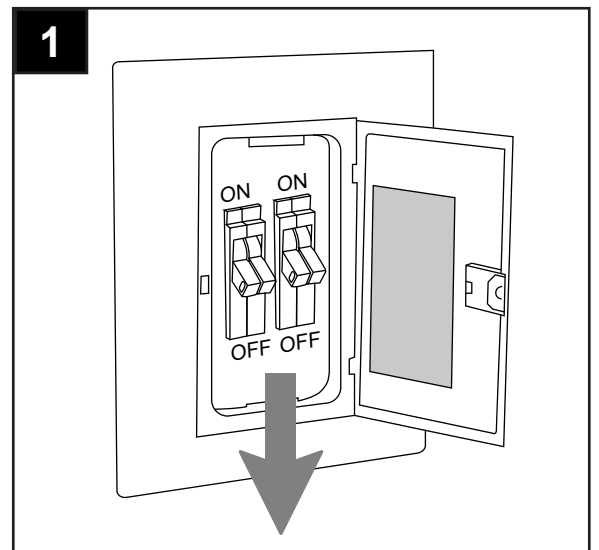
Tools Required for Assembly (not included): Electrical Tape, Phillips Screwdriver, Pliers, Safety Glasses, Stepladder, Wire Strippers and Precision Screwdriver (0 x 2 in.).

Helpful Tools (not included): AC Tester Light, Tape Measure, Do-It-Yourself Wiring Handbook and Wire Cutters.

INITIAL INSTALLATION

1. Turn off circuit breakers and wall switch to the fan supply line leads.

⚠ DANGER: Failure to disconnect power supply prior to installation may result in serious injury or death.



INITIAL INSTALLATION

- Determine mounting method to use.
 - Downrod mount (standard or angled ceiling).
 - Closemount (standard ceiling only).**IMPORTANT:** If using the angle mount, check to make sure the ceiling angle is not steeper than 20°.

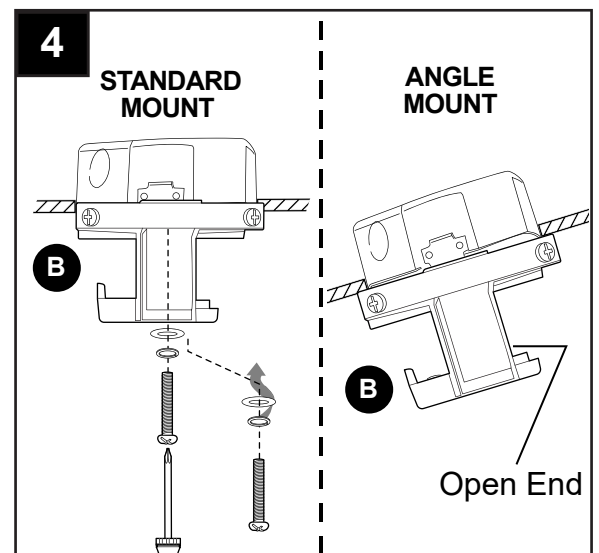
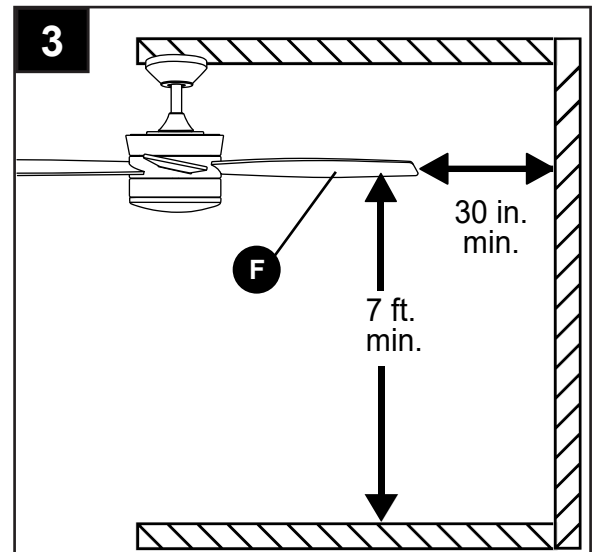
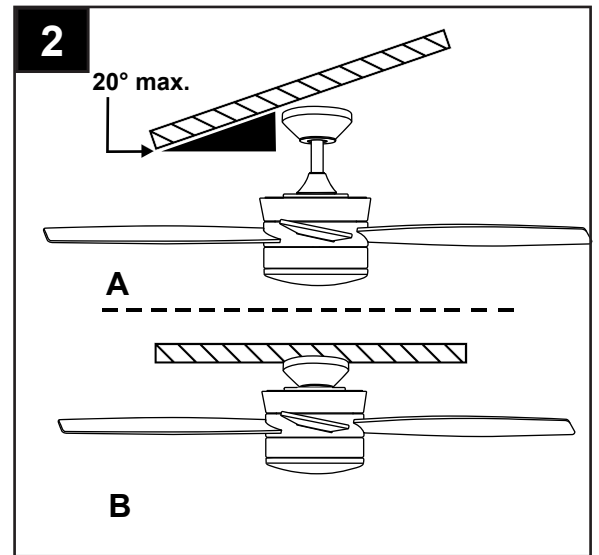
***Helpful Hint:** Downrod-style mounting is best suited for ceilings 8 ft. or higher. For taller ceilings you may want to use a longer downrod (not included). Angle-style mounting is best suited for angled or vaulted ceilings. A longer downrod is sometimes necessary to ensure proper blade clearance. Closemount mounting is more suitable for ceilings lower than 8 ft. high.

- Check to make sure blades (F) will be at least 30 in. from any obstruction and at least 7 ft. above the floor.

- Secure mounting bracket (B) to outlet box (not included) using screws, spring washers and flat washers provided with the outlet box.

***NOTE:** It is very important you use the proper hardware when installing the mounting bracket (B) as this will support the fan.

IMPORTANT: If using the angle mount, make sure open end of mounting bracket (B) is installed facing the higher point of the ceiling, and ensure the ceiling angle is not steeper than 20°.

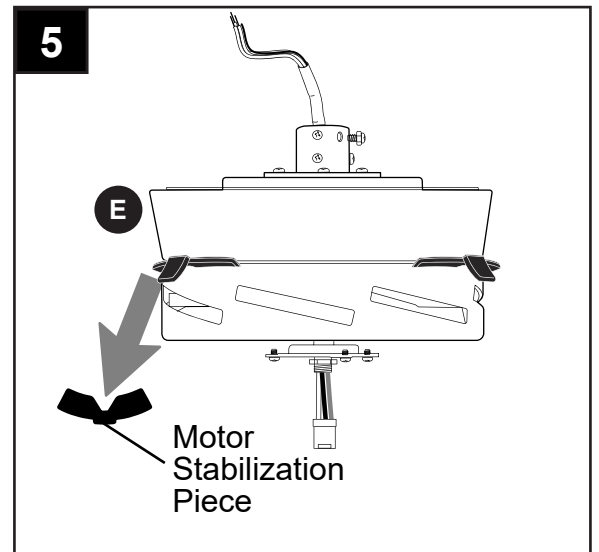


INITIAL INSTALLATION

5. Remove all three preassembled motor stabilization pieces from motor housing (E). The motor stabilization pieces may be discarded at this time.

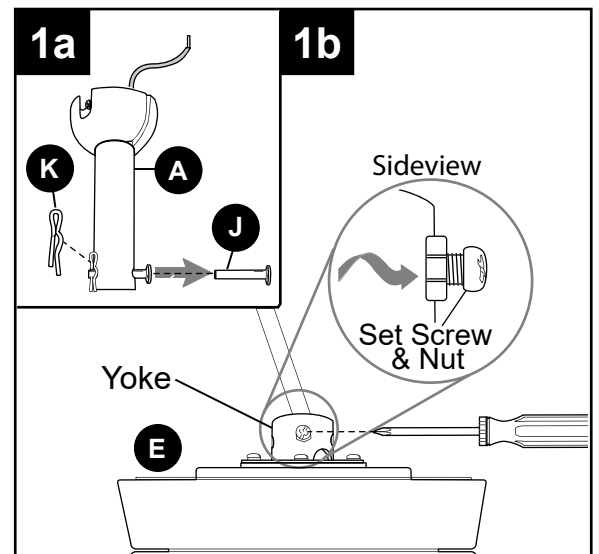
For **DOWNROD-STYLE FAN MOUNTING**, proceed to Step 1 below.

For **CLOSEMOUNT-STYLE FAN MOUNTING**, skip to page 10.

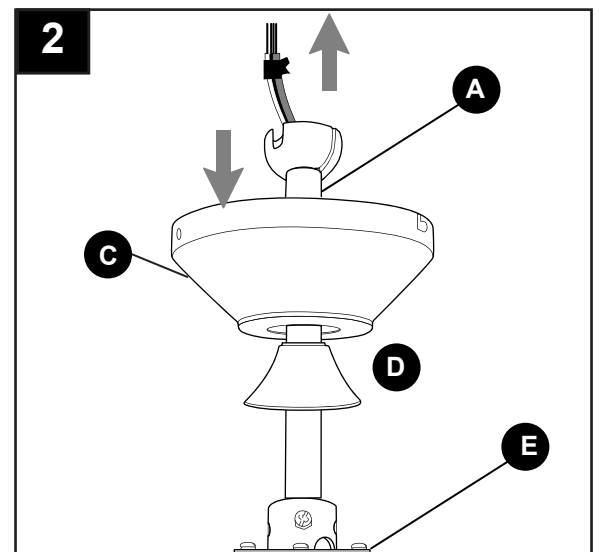


DOWNROD-STYLE FAN MOUNTING

- 1a. Remove pin (J) and clip (K) from downrod (A).
- 1b. Partially loosen preassembled set screws and nut in yoke at top of motor housing (E).

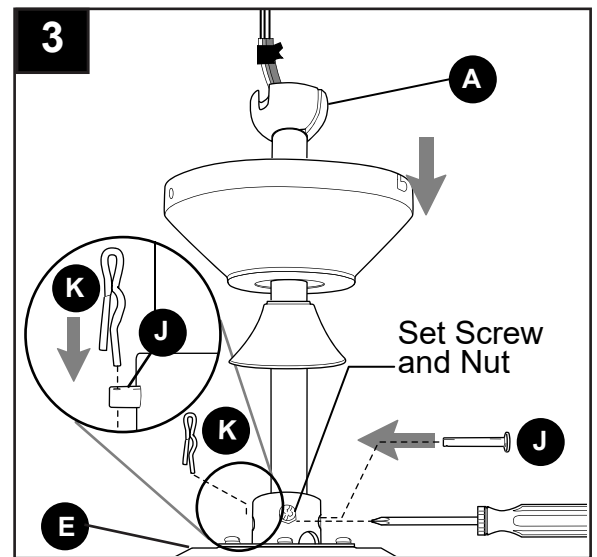


2. Insert downrod (A) through yoke cover (D) and canopy (C). Thread wires from motor housing (E) up through downrod (A).



DOWNROD-STYLE FAN MOUNTING

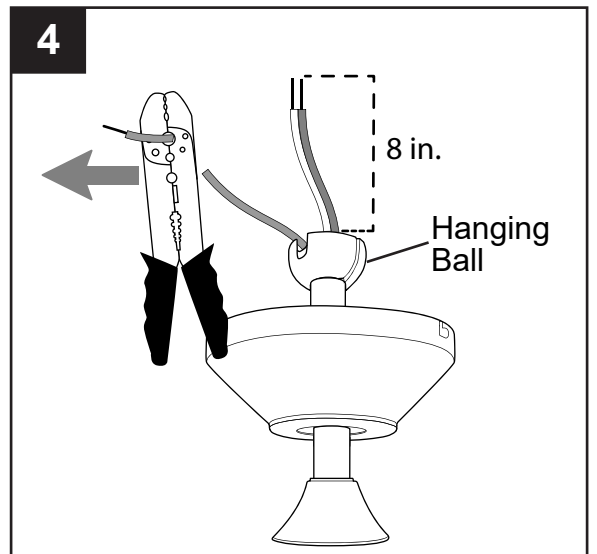
3. Slip downrod (A) into yoke, align holes and re-install pin (J) and clip (K). Tighten downrod set screws and then tighten nut.



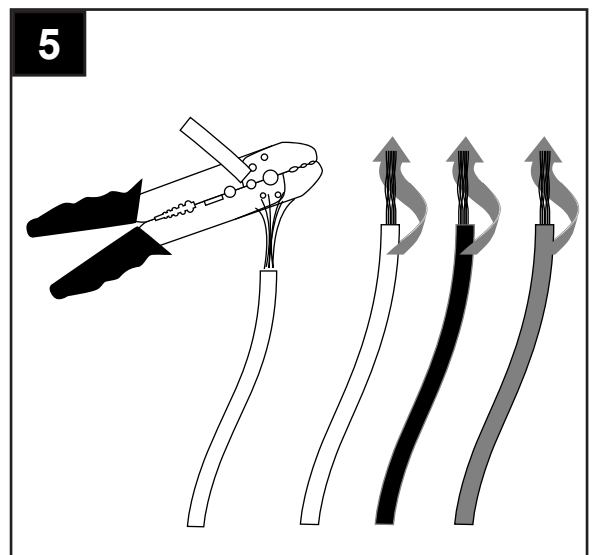
4. Depending on the length of downrod you use, you may need to cut the lead wires back to simplify the wiring. If you decide to cut back the lead wires, it is suggested you do so in the following manner:

Take the lead wires and make sure you have pulled them all the way through the top of the downrod. Start at the TOP of the hanging ball on the downrod and measure 8 in. of lead wire, and then cut the excess wire off with wire cutters (not included).

NOTE: If you do *not* cut back the lead wires, **Steps 4 and 5 are not necessary and you may proceed to Step 6 instead.**



5. If you cut back the lead wires in Step 4, strip 3/4 in. of insulation from end of each wire -- WHITE, BLACK, GREEN and BLUE (if applicable). Twist stripped ends of each strand of wire within the insulation with pliers (not included).

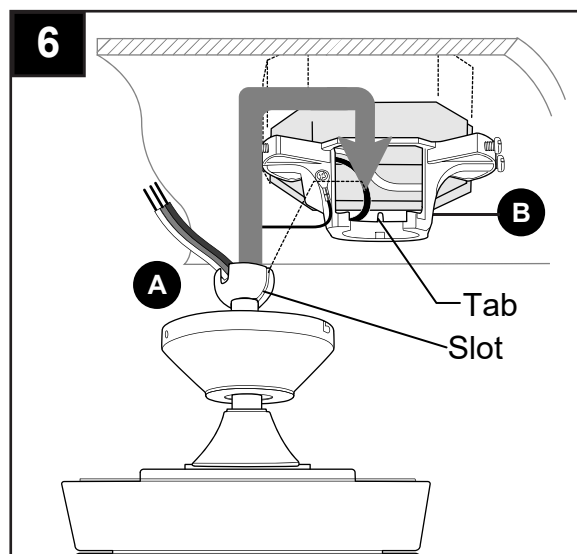


DOWNROD-STYLE FAN MOUNTING

6. Install hanging ball of downrod (A) into opening of mounting bracket (B). Align the slot in hanging ball with the tab in mounting bracket (B).

⚠ DANGER: Failure to align slot in hanging ball with the tab in mounting bracket (B) may result in serious injury or death.

Continue to **WIRING** on page 12.

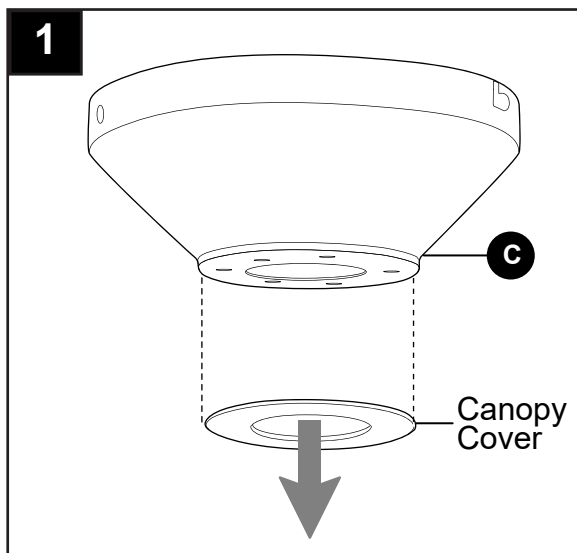


CLOSEMOUNT-STYLE FAN MOUNTING

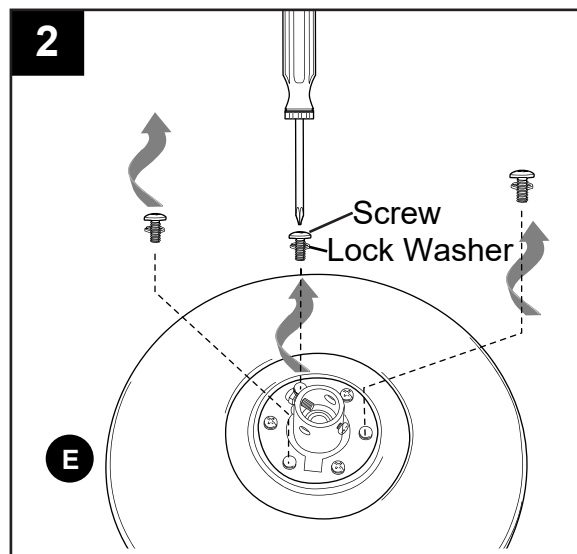
1. Remove preassembled canopy cover from bottom of canopy (C).

NOTE: Turn canopy cover to the left (counterclockwise) to remove from canopy (C).

NOTE: The downrod (A), yoke cover (D) and canopy cover are not used in this type of installation.

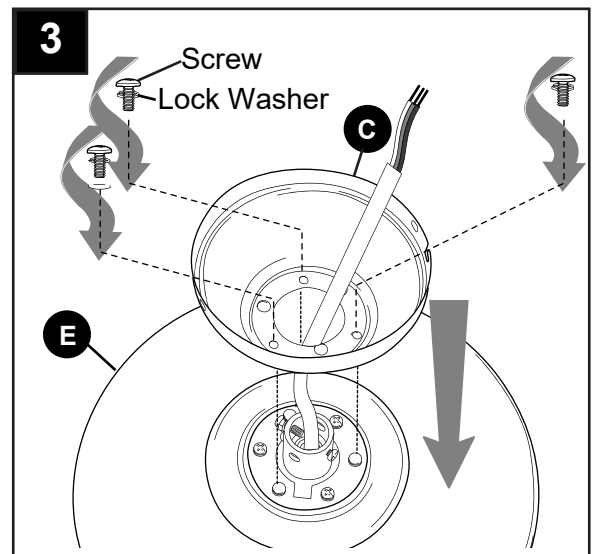


2. Remove every other preassembled screw/lock washer from top of motor housing (E).

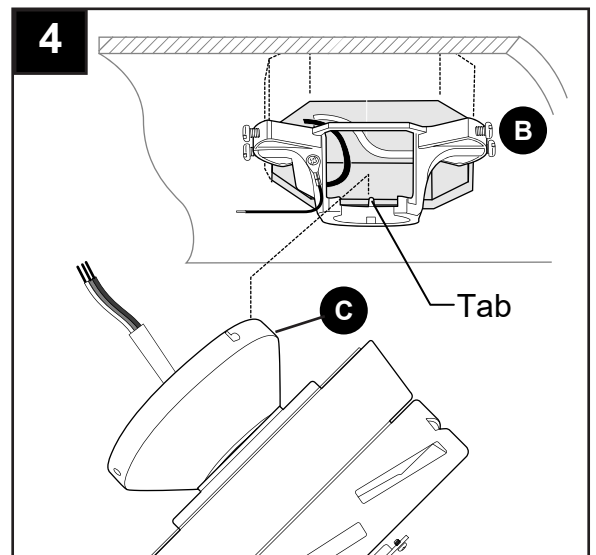


CLOSEMOUNT-STYLE FAN MOUNTING

3. Pull wires up through hole in the middle of the canopy (C) and attach canopy (C) to motor housing (E) using the three screws/lock washers previously removed.



4. Temporarily hang fan on the tab on the mounting bracket (B) using one of the non-slotted holes in the canopy (C).



WIRING

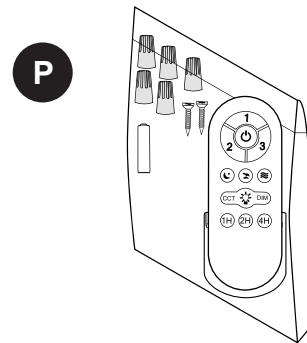
⚠ WARNING: To reduce the risk of fire, electrical shock or personal injury, wire connectors provided with this fan are designed to accept only one 12-gauge house wire and two lead wires from the fan. If your house wire is larger than 12-gauge or there is more than one house wire to connect to the corresponding fan lead wires, consult an electrician for the proper size wire connectors to use.

⚠ CAUTION: Be sure outlet box is properly grounded and that a ground (GREEN or BARE) wire is present.

⚠ WARNING: If house wires are different colors than referred to in the following steps, stop immediately. A professional electrician is recommended to determine wiring.

⚠ WARNING: Using a full range dimmer switch (not included) to control fan speed will cause a loud humming noise from fan. To reduce the risk of fire or electrical shock, do NOT use a full range dimmer switch to control fan speed.

IMPORTANT: Make the necessary wiring connections for remote control operation as detailed below and in the accompanying drawing. For each wire connection, use wire connectors from the remote pack (P), making sure to screw each wire connector on in a clockwise direction.



1. Connect all GROUND (GREEN) wires from fan (on downrod (A), if applicable, mounting bracket (B)) and remote control receiver (O) to BARE/GREEN supply wire from ceiling.

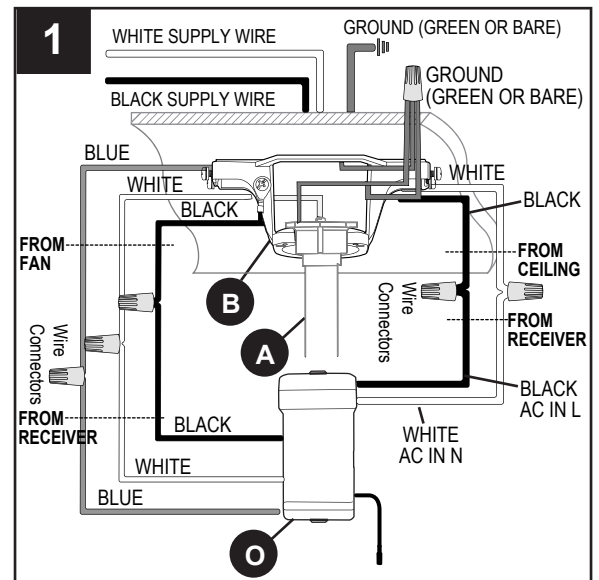
Connect BLACK wire (labeled AC IN L) from remote control receiver (O) to BLACK supply wire from ceiling.

Connect WHITE wire (labeled AC IN N) from remote control receiver (O) to WHITE supply wire from ceiling.

Connect BLUE wire (labeled FOR LIGHT L) from remote control receiver (O) to BLUE wire from motor housing (E).

Connect BLACK wire (labeled TO MOTOR L) from remote control receiver (P) to BLACK wire from motor housing (E).

Connect WHITE wire (labeled FOR LIGHT N) from remote control receiver (O) to WHITE wire from motor housing (E).



WIRING

2. Wrap electrical tape (not included) around each individual wire connector (CC) down to the wire.

⚠ WARNING: Make sure no bare wire or wire strands are visible after making connections. Place GREEN and WHITE connections on opposite side of the outlet box from the BLACK and BLUE (if applicable) connections.

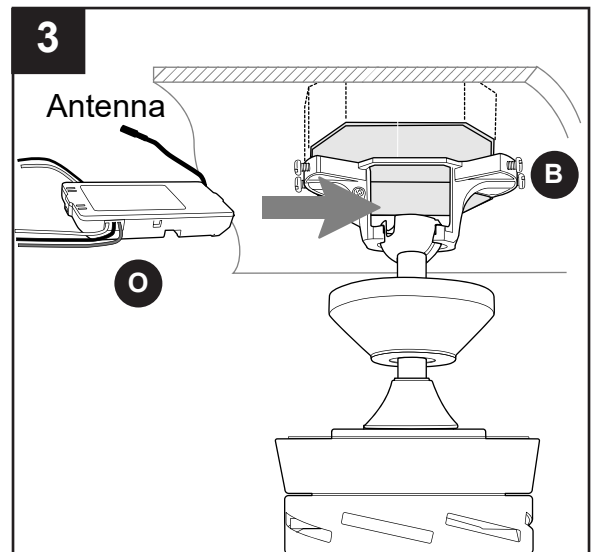
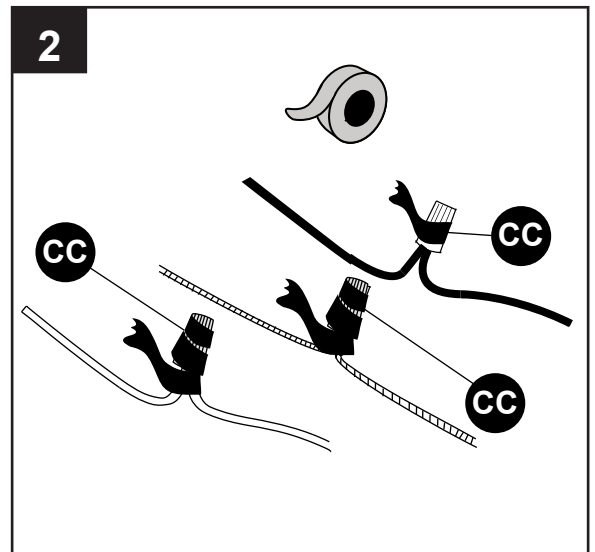
Hardware Used



3. Gently slide remote control receiver (O) flat-side up into mounting bracket (B). Turn spliced/taped wires upward and gently push wires and wire connectors (CC) into outlet box. Let antenna from remote control receiver (O) hang to the side.

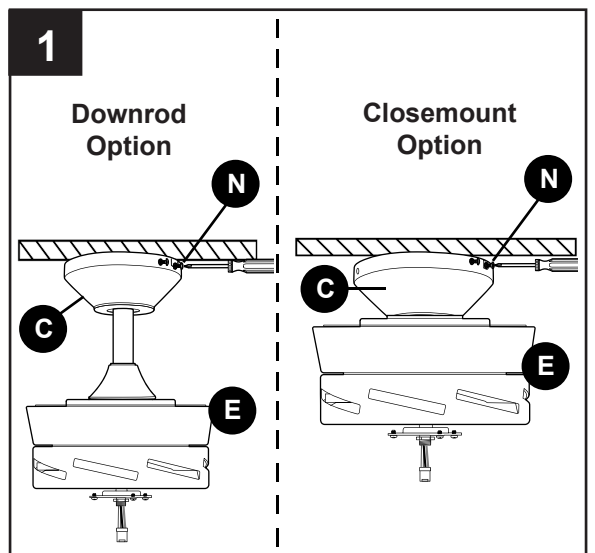
NOTE: The remote control included with this fan meets the following requirements:

- a. Not for use with solid state fans.
- b. Electrical rating: 120V / 60 Hz;
motor amps: 1.25 MAX.



FINAL INSTALLATION

1. Lift canopy (C) to mounting bracket (B) again, aligning slotted holes in canopy (C) with loosened canopy mounting screws (N) in mounting bracket (B). Twist canopy (C) clockwise to lock. Re-insert the two canopy mounting screws/lock washers (N) that were previously removed (Step 4a, Page 7) and tighten all canopy mounting screws/lock washers (N) securely.


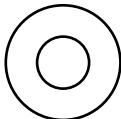


FINAL INSTALLATION

2. **⚠ DANGER:** To reduce the risk of serious bodily injury, DO NOT use power tools to assemble the blades (F). If screws are overtightened, blades (F) may crack and break.

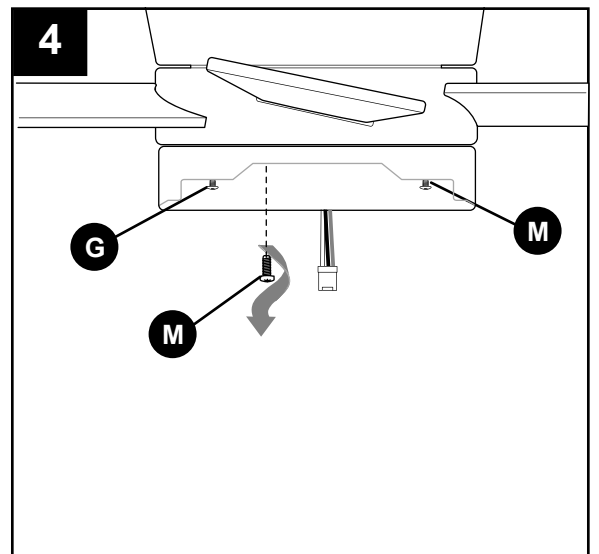
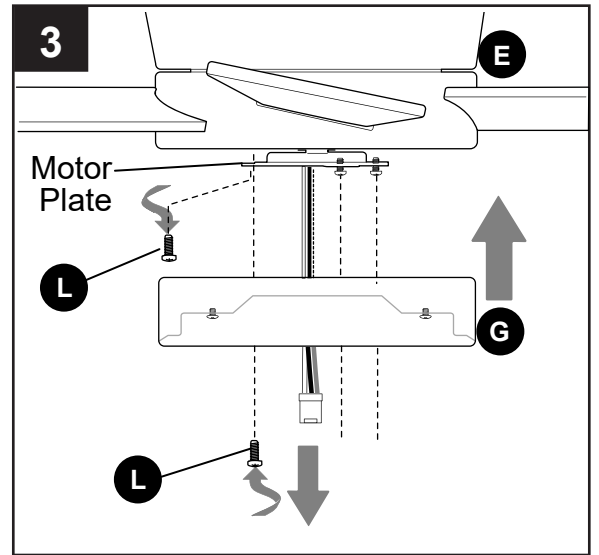
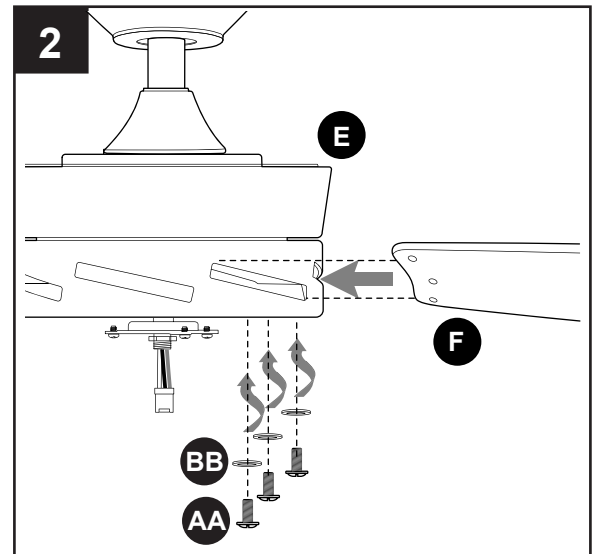
Insert the blade (F) through the slot on the band of the motor housing (E). Align holes in blade (F) with holes on underside of motor. Attach the blade (F) with blade screws (AA) and fiber blade washers (BB). Then, tighten each blade screw (AA), starting with the one in the middle. Repeat for remaining blades (F).

Hardware Used

- | | | |
|------------------------------|---|------|
| AA Blade Screw |  | x 15 |
| BB Fiber Blade Washer |  | x 15 |

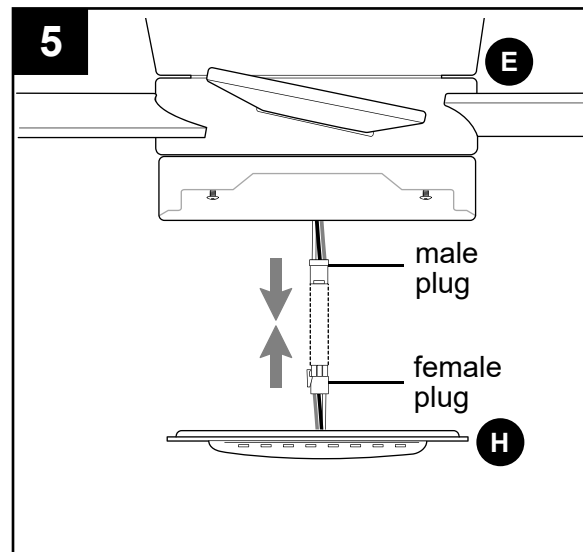
3. Remove one motor plate screw (L) from motor plate on underside of motor housing (E) and partially loosen the other two motor plate screws (L). Align slotted holes in fitter plate (G) with loosened motor plate screws (L), allowing plug from motor housing (E) to come through hole in fitter plate (G). Twist fitter plate (G) to lock. Re-insert the motor plate screw (L) that was removed and securely tighten all three motor plate screws (L).

4. Remove one fitter plate screw (M) from underside of fitter plate (G) and partially loosen the other two fitter plate screws (M).



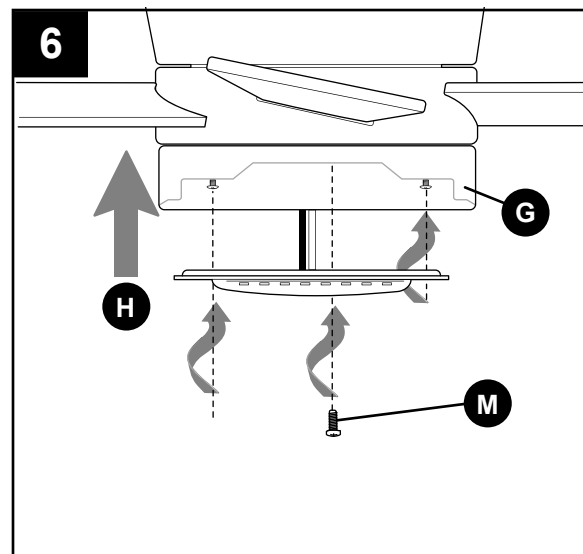
FINAL INSTALLATION

5. Connect female plug from motor housing (E) to male plug from LED light kit (H), matching up the colors on the plugs for correct fit. Make sure plugs connect tightly.



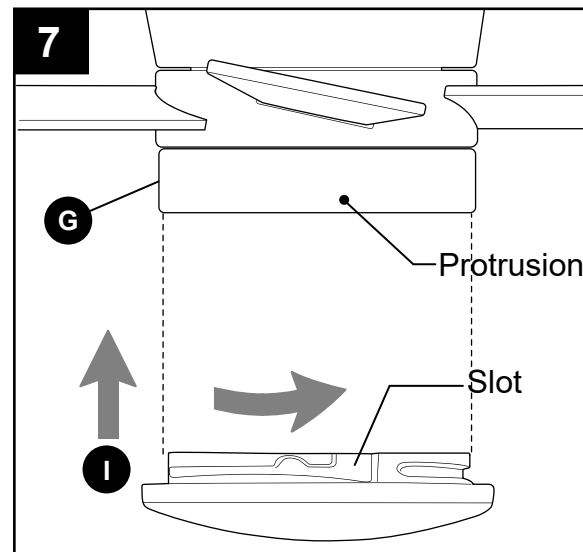
6. Carefully arrange wiring within the fitter plate (G) to ensure wires do not get pinched when attaching the LED light kit (H).

Align slotted holes in LED light kit (H) with loosened fitter plate screws (M) on fitter plate (G). Twist LED light kit (H) to lock in place. Re-insert the previously removed fitter plate screw (M) (Step 4, page 14) and securely tighten all fitter plate screws (M).



7. Align slots on shade (I) with protrusions on underside of fitter plate (G). Turn shade (I) *clockwise* until it no longer turns.

NOTE: Pull down gently on the shade (I) to make sure it is completely secured.



OPERATING INSTRUCTIONS

⚠ CAUTION: The remote control transmitter can be programmed to multiple receivers or fans. If this is not desired, turn wall switch off to any other programmable receiver or fan.

FCC Compliance Notice for Remote Control

⚠ CAUTION: Changes or modifications not approved by the party responsible for compliance could void the user's authority to operate the equipment.

This device complies with Part 15 of the FCC Rules. Operation is subject to the following two conditions: (1) this device may not cause harmful interference, (2) this device must accept any interference received, including interference that may cause undesired operation.

*NOTE: This equipment has been tested and found to comply with the limits for a Class B digital device, pursuant to Part 15 of the FCC Rules. These limits are designed to provide reasonable protection against harmful interference in a residential installation. This equipment generates, uses and can radiate radio frequency energy and, if not installed and used in accordance with the instructions, may cause harmful interference to radio communications. However, there is no guarantee that interference will not occur in a particular installation. If this equipment does cause harmful interference to radio or television reception, which can be determined by turning the equipment off and on, the user is encouraged to try to correct the interference by one or more of the following measures:

- * Reorient or relocate the receiving antenna.
- * Increase the separation between the equipment and receiver.
- * Connect the equipment into an outlet on a circuit different from that to which the receiver is connected.

Consult the dealer or an experienced radio/TV technician for help.

1. Remove contents of remote pack (P). Remove battery cover from back of remote control transmitter. Remove protective covering from battery--protective covering may be discarded. Install battery with positive (+) end toward left side of remote control transmitter.

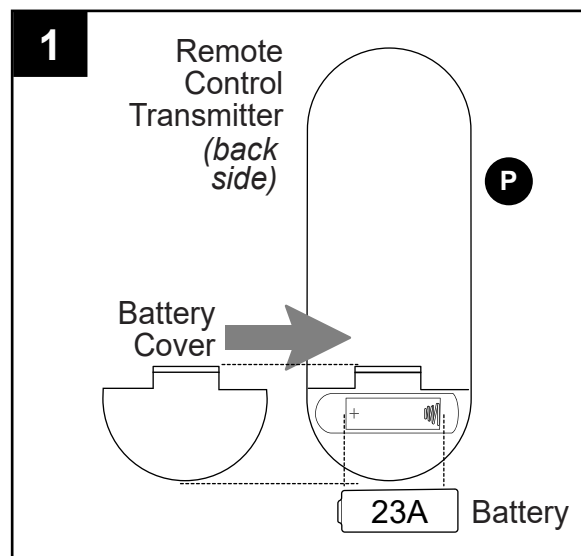
⚠ WARNING: Battery is to be inserted with the correct polarity.

Replace battery cover on remote control transmitter.

⚠ WARNING: Choking/Ingestion Hazard - Small parts. Keep battery away from children.

NOTE: Battery is NOT rechargeable. Remove battery with low or no charge and dispose of properly.

⚠ CAUTION: "DO NOT DISPOSE OF BATTERIES IN FIRE, BATTERIES MAY EXPLODE OR LEAK."
- When disposing of household alkaline batteries, it is best to check with your local and state recycling or household hazardous waste coordinators concerning the specifics of the program in your area. You may also locate a recycling center by calling 1-800-8-BATTERY or 1-877-2-RECYCLE or visit www.epa.gov/epawaste/index.htm or www.earth911.org for more information.



OPERATING INSTRUCTIONS

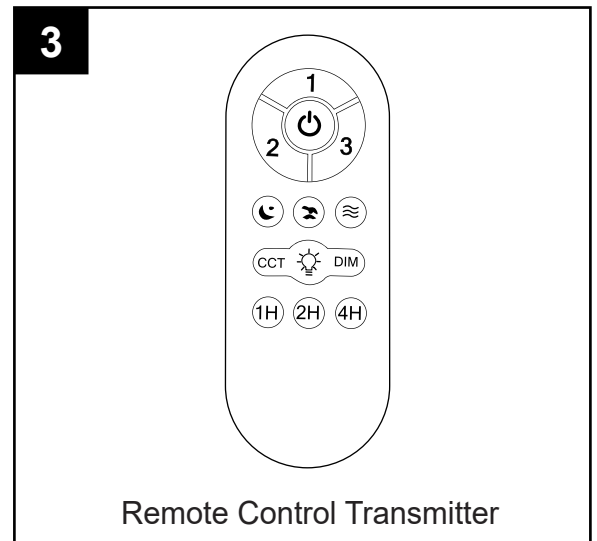
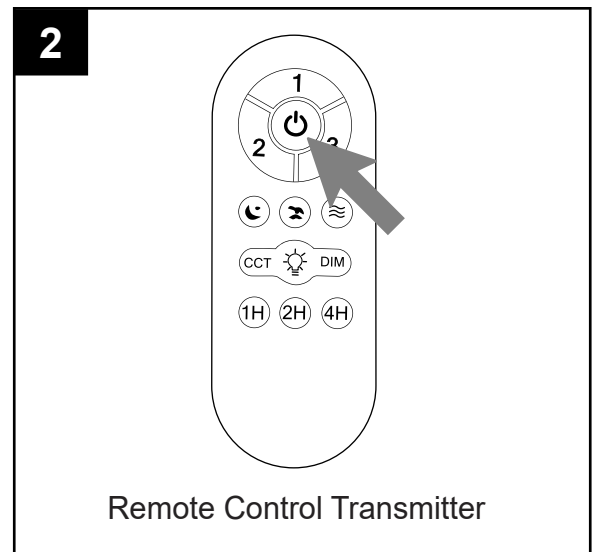
2. **NOTE:** Remove protective covering from front of remote control transmitter and discard.

If fan and/or remote control fail(s) to operate or you have purchased a new remote control transmitter, make sure to turn the power off first. Restore electrical power. Within 30 seconds of restoring electrical power, press and hold the ON/OFF button (⏻) on the remote control transmitter for 5 seconds until light blinks twice. Use the remote control transmitter to test the light and fan functions to confirm the learning process is complete.

IMPORTANT: To prevent damage to remote control transmitter, remove the battery if not used for long periods. Store the remote control transmitter away from excess heat or humidity.

3. Operation buttons on the panel of the remote control transmitter:

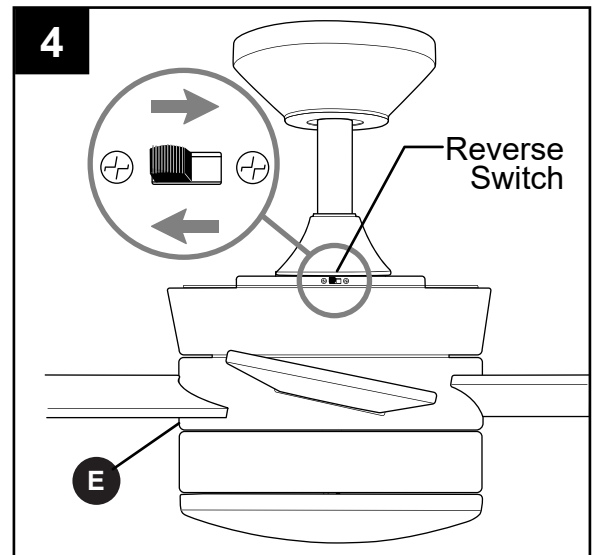
3 button	for <u>fan</u> HIGH speed
2 button	for <u>fan</u> MEDIUM speed
1 button	for <u>fan</u> LOW speed
⏻ button	to turn <u>fan</u> OFF
☾ button	to turn <u>uplight</u> ON or OFF
↔ button	vacation mode turns <u>light</u> on for 5 minutes every 2 hours
≈ button	breeze mode: <u>fan</u> automatically cycles between all speeds
CCT button	to change/select color mode: <ul style="list-style-type: none"> – soft white – warm white – cool white – daylight – cool daylight
💡 button	to turn <u>light</u> ON or OFF
DIM button	press and hold to dim <u>light</u>
1H/2H/4H button	timer may be set to run <u>fan</u> for one, two or four hours



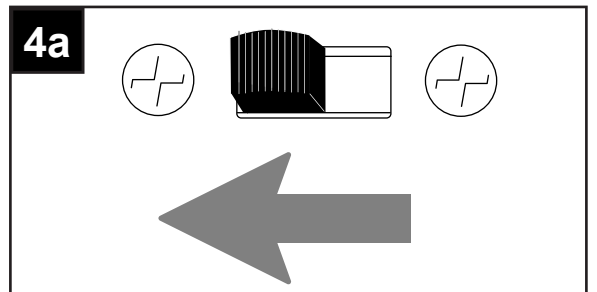
OPERATING INSTRUCTIONS

4. Use the fan reverse switch located on the top part of the motor housing (E) to optimize the fan for seasonal performance. A ceiling fan will allow you to raise your thermostat setting in summer and lower your thermostat setting in winter without feeling a difference in your comfort.

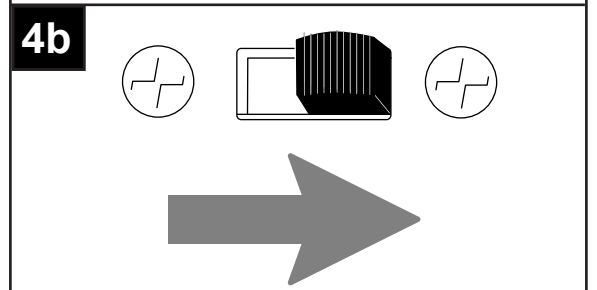
⚠ CAUTION: Turn fan off at wall switch and let blades (F) come to a complete stop before manually activating the reverse switch.



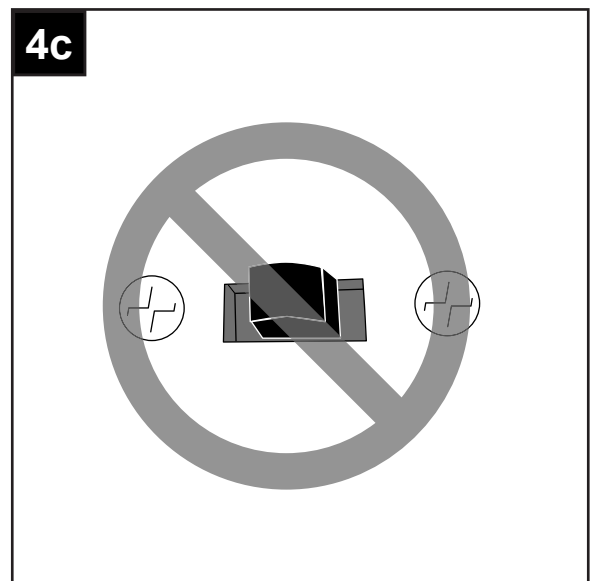
- 4a. In **warmer** weather, setting the reverse switch in the LEFT position will result in downward airflow creating a wind chill effect.



- 4b. In **cooler** weather, setting the reverse switch in the RIGHT position will result in upward airflow that can help move stagnant, hot air off the ceiling area.



- 4c. **IMPORTANT:** Reverse switch must be set either **completely** LEFT or **completely** RIGHT for fan to function. If the reverse switch is set in the middle position, fan will not operate.



CARE AND MAINTENANCE

At least twice each year, check canopy mounting screws (N) and then tighten all screws on the fan. Clean motor housing (E) with only a soft brush or lint-free cloth to avoid scratching the finish. Clean blades (F) with a lint-free cloth.

IMPORTANT: Shut off main power supply before beginning any maintenance. Do not use water or a damp cloth to clean the ceiling fan.

- Total wattage for the light kit for this fan is 20 watts. Total wattage for the upright for this fan is 5 watts; do not attempt to replace the LEDs.

TROUBLESHOOTING

⚠ WARNING: Before beginning work, shut off the power supply to avoid electrical shock.

PROBLEM	POSSIBLE CAUSE	CORRECTIVE ACTION
Fan does not move.	<ol style="list-style-type: none"> 1. Power is off or fuse is blown. 2. Faulty wire connection. 3. Learning code process between fan and remote control transmitter may not have been successful and learning code was not activated. 4. Blades are not installed. 	<ol style="list-style-type: none"> 1. Turn power on or check fuse. 2. Turn power off. Loosen canopy and check all connections. 3. Turn off power and repeat instructions in Step 2 on page 18. 4. Attach blades to fan.
Noisy operation.	<ol style="list-style-type: none"> 1. Blades are loose. 2. Cracked blade. 3. Full range dimmer switch. 4. Fan is new. 	<ol style="list-style-type: none"> 1. Tighten all blade screws. 2. Replace blade. 3. Use only with included speed control device. 4. Allow fan a "break in" period of a few days, especially when running the fan at Medium and High speeds.
Excessive wobbling.	<ol style="list-style-type: none"> 1. Blades are loose. 2. Blades incorrectly attached. 3. Unbalanced blades. 4. Fan not securely mounted. 5. Fan too close to vaulted ceiling. 6. Set screw(s) on motor housing yoke is (are) not tightened properly. 7. Set screw on hanging ball is not tightened properly. 	<ol style="list-style-type: none"> 1. Tighten all blade screws. 2. Re-install blades. 3. Switch one blade with a blade from the opposite side. 4. Turn power off. Carefully loosen canopy and verify that mounting bracket is secure. 5. Use a longer downrod or move fan to another location. 6. Tighten yoke set screw(s) securely. 7. Carefully loosen and lower canopy and verify that set screw on hanging ball is tightened securely.

NOTE: A small amount of "wobble" is normal and should not be considered a defect.

TROUBLESHOOTING

PROBLEM	POSSIBLE CAUSE	CORRECTIVE ACTION
Fan operates but light fails	<ol style="list-style-type: none">1. Blades are loose.2. Cracked blade.3. Full range dimmer switch.4. Fan is new.5. Motor assembly is loose.	<ol style="list-style-type: none">1. Check wires in outlet box and, if necessary, re-wire according to instructions on page 12.2. Make sure wall switch to light is on.3. Check that connections in LED light kit are connected properly according to instructions on page 15.
Remote control fails to operate.	<ol style="list-style-type: none">1. Remote control transmitter not synced with fan.2. Batteries not installed correctly.3. Battery/Batteries no longer working.	<ol style="list-style-type: none">1. Refer to instructions in Step 2 on page 17.2. Check that battery has been installed with correct polarity.3. Replace battery according to instructions on page 17.

LIMITED LIFETIME WARRANTY

Set forth below, the manufacturer warrants the fan motor for this ceiling fan to be free from defects in workmanship and material for the life of the product. Also, subject to the limitations below, the manufacturer warrants all ceiling fan parts ("ceiling fan parts" excludes the motor and parts made in whole or in part with glass) to be free from defects in workmanship and material for a period of one year after the date of purchase by the original purchaser at retail.

All claims must be made by the original purchaser, whether such purchaser purchased the product through a store or contractor. Ceiling fan part defects must be reported within the first year from the date of purchase. Parts made in whole or in part with glass and the finishes of metal and other surfaces are not warranted.

Purchasers are responsible for all costs of removing and reinstalling the product. Any damage to any part caused by ordinary wear and tear, accident, misuse, or improper installation, is not covered by this warranty. The manufacturer assumes no responsibility whatsoever for fan installation. Any service performed by a non-licensed electrician will render the warranty invalid.

The manufacturer's sole responsibility shall be to repair or replace the motor, parts, or product within the terms stated above. The manufacturer shall not be liable for any loss or damage of any kind, including any incidental or consequential damages resulting directly or indirectly, from any breach of warranty, express or implied, or any other failure of this product. Some states do not allow the exclusion or limitation of incidental or consequential damages so this limitation may not apply to you.

If the original purchaser ceases to own the fan, this warranty is voided.

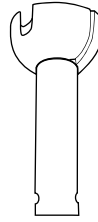
Should the purchaser encounter a problem with your fan related to defects in workmanship or materials within the warranty period associated with the defective part, the manufacturer agrees to replace the defective part without charge, or at its option, to replace the ceiling fan with a comparable or superior model.

The manufacturer's warranties are limited to the written warranties set out in this ceiling fan limited lifetime warranty. All other express and implied warranties, including, without limitation, the implied warranty of fitness for a particular purpose and the implied warranty of merchantability are disclaimed. Some states do not allow the disclaimer of implied warranties, so this disclaimer may not apply to you.

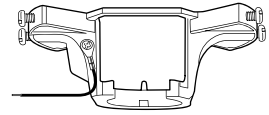
REPLACEMENT PARTS LIST

For replacement parts, call our customer service department at **800-527-1292**, 8:30 a.m. - 5 p.m., CST, Monday - Friday.

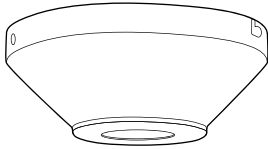
PART	DESCRIPTION	PART #
A	Downrod	5519818-A
B	Mounting Bracket	5519818-B
C	Canopy	5519818-C
F	Blade	5519818-F



A



B



C



F