

## 2 General Information

### 2.1 Product Specification

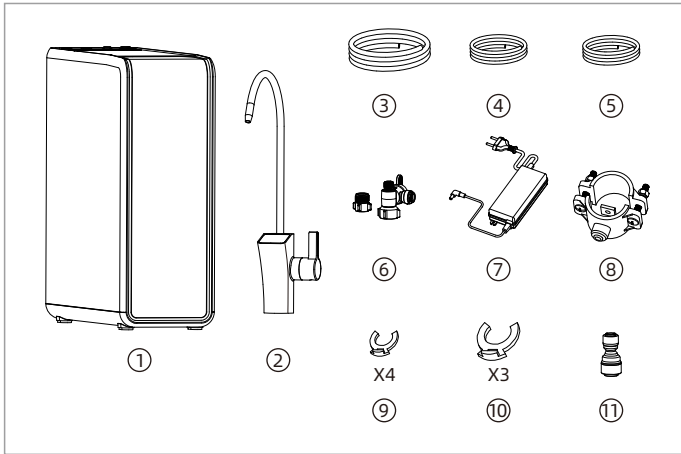
Model	WP800	WP1000	WP1200
Part No.	WP800A1G	WP1000A1G	WP1200A1G
Daily Production Capacity	800 GPD	1000 GPD	1200 GPD
Operating Water Temperatures	40-100 °F (5-38 °C)		
Operating Water Pressure	15-100 psi (0.1-0.7 MPa)		
Power Specifications	Input: 100-240V AC Output: 24V DC		
Feed Water Requirement	Municipal Tap Water		
pH Parameters	2-11		
TDS (Total Dissolved Solids)	< 1800 ppm		
Iron	< 0.2 ppm		
Turbidity	< 5 NTU		
Hardness	< 10 gpg (170 mg/L)		

**Hardness:** Recommended hardness is not to exceed 10 grains per gallon or 170 parts per million.

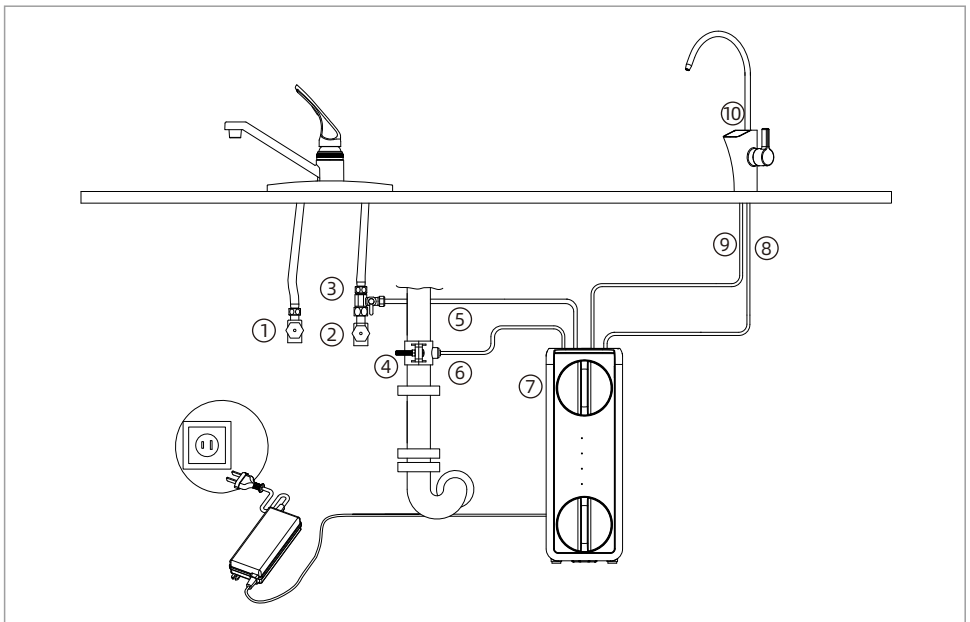
**Note:** The system will operate with a hardness of over 10 grains, but the membrane life may be shortened. The addition of a water softener may lengthen the membrane life.

**Water Pressure:** The operating water pressure in your home should be tested over a 24-hour period to attain the maximum pressure. If the incoming water pressure is above 100 psi, a water pressure regulator is required.

## 2.2 Product Overview and Installation Illustration



- ① RO system
- ② Faucet
- ③ 3/8" White PE tubing
- ④ 1/4" White PE tubing
- ⑤ 1/4" Red PE tubing
- ⑥ Angle stop valve
- ⑦ Power adapter
- ⑧ Drain connector
- ⑨ 1/4" Clips
- ⑩ 3/8" Clips
- ⑪ Quick-connector fitting



- ① Hot line
- ② Cold line
- ③ Angle Stop Valve
- ④ Drain connector
- ⑤ Water inlet tubing
- ⑥ Drain outlet tubing
- ⑦ Reverse Osmosis System
- ⑧ Faucet power cord
- ⑨ Filtered water outlet tubing
- ⑩ Faucet

## Tools and Materials Required

- Hand or electric drill(cordless preferred)
- Adjustable wrenches
- Slotted and Phillips screwdrivers
- Utility knife or scissors
- Safety glasses
- Drill bits: 1"(for faucet hole), 1/4"(for drain tubing)
- Safety mask



### NOTICE

Not all tools may be necessary for installation. Read installation procedures before starting to determine what tools are required.

## 3 Installation

### 3.1 Installation Instructions

Read all installation and operating instructions before installing and using your RO system.



### NOTICE

- Please check if there is sufficient space for installing the system itself, its accessories, connection.
- Under no circumstances should the system be installed outdoors.
- The environment where the system is installed should adhere to appropriate hygiene and sanitation conditions. Avoid any external dripping liquids from pipes or drains, etc, onto the system.
- This system should be placed on a stable and at the surface.
- Keep the system away from heat. It shall not be placed in a place that may have in-inflammable gas leakage.

### How to use the quick-connector fitting

#### To connect

