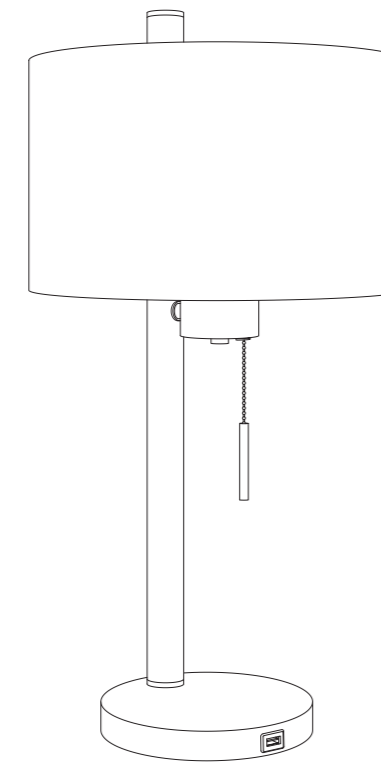
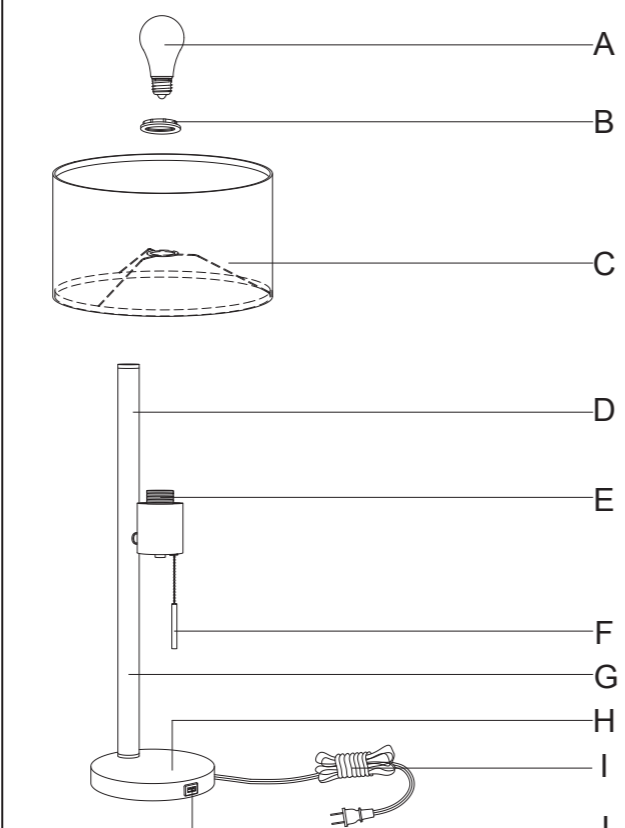


Instruction Manual
AD4062T Table Lamp



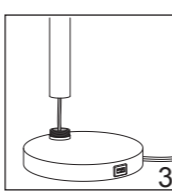
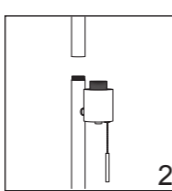
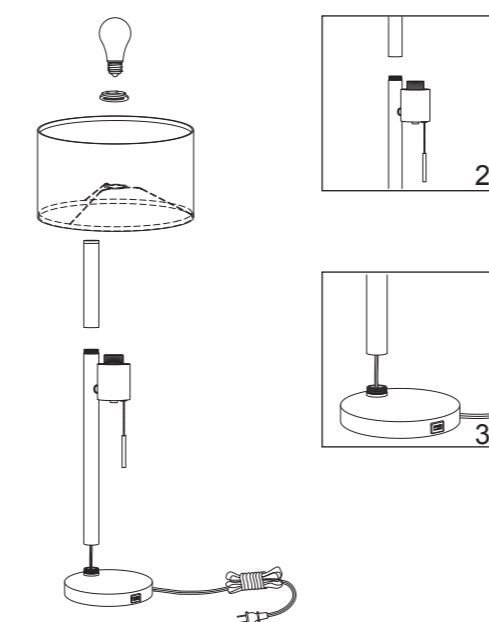
Overview



NO.	Name
A	Bulb E26 (not included)
B	Socket ring
C	Lampshade
D	Pole 1
E	Lamp socket
F	Pull chain switch
G	Pole 2
H	Lamp base
I	Power cord
J	USB port

Assembly Instruction

- 1) Please refer to the accessory sheet [K/D Lampshade] for shade assembly.
- 2) Screw Pole 1 onto Pole 2
- 3) Rotate Pole 2 Assembly counter-clockwise by two turns, then screw it onto Lamp base clockwise.
- 4) Unscrew the Socket ring from Socket and put assembled Lampshade onto it and tighten it with Socket ring.
- 5) Install Bulb(not included)



Product Specifications

Input voltage	120V
USB output	5V 2A
Rated power	100W MAX
Lamp socket	E26
Cord length	5 ft.
Overall size	23"H X 12"W

Product Packaging

Lampbase assembly	X 1
Lampshade cloth	X 1
Shade ring	X 2
Manual	X 1

Safety Warning:

BULB TYPE:
Use only the bulb type and wattage indicated on Wattage Label placed on or near socket.
WARNING: NEVER EXCEED MAXIMUM WATTAGE
Indicated as bulb may cause fire.

CAUTION:
This portable lamp has a polarized plug (one blade is wider than the other) as a safety feature. This plug can be used in a polarized outlet only one way. If plug does not fit fully into the outlet, reverse the plug. If it still does not fit, contact a qualified electrician.
DO NOT ALTER THE PLUG!



PROPER LAMP CARE:
Use a soft cloth to dust your lamp on a regular basis. Never use chemicals or an abrasive cleaner, to do so may damage the finish on your lamp.

TROUBLESHOOTING:
If fixture does not work:
1. Turn off electrical power and check all wire connections.
2. Check fuse or circuit breaker and replace if necessary.
3. Check to make sure light bulb is in working order.

CONTACT US

E-mail: service@24h-reply.com