
IMPORTANT INSTRUCTIONS AND OPERATING MANUAL

ELECTRIC FIREPLACE



EP24702 / EP24703 / EP24704
EP24705 / EP24706

NO VENTING REQUIRED



WARNING

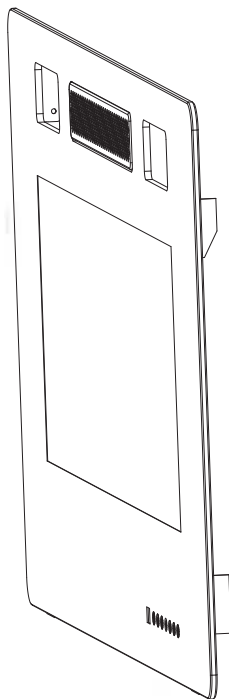
Read and understand this entire owner's manual, including all safety information before plugging in or using this appliance. Failure to do so could result in fire, electric shock, or serious personal injury.

CERTIFIED UNDER CANADIAN AND AMERICAN NATIONAL STANDARDS: ETL

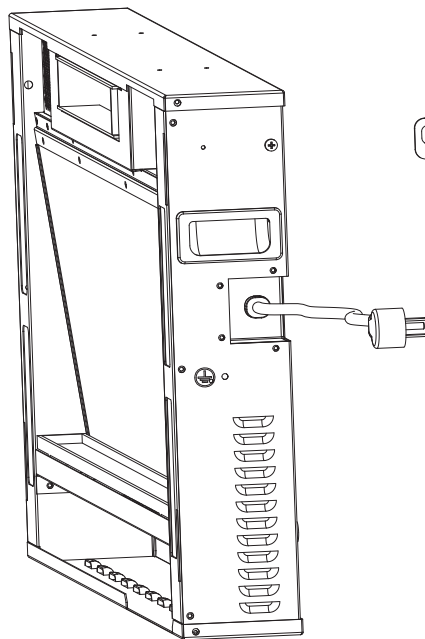


1.0 PACKING LIST

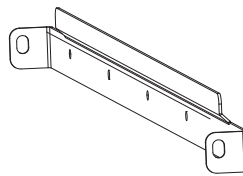
No.	Description	Quantity
1	Front Frame	1 pc
2	Electric Fireplace	1 pc
3	Mounting Bracket (Pre-attached)	1 pc
4	Manual	1 pc
5	Decorative Stuff	Varies
6	Remote Control(Battery included)	1 pc



①



②



③



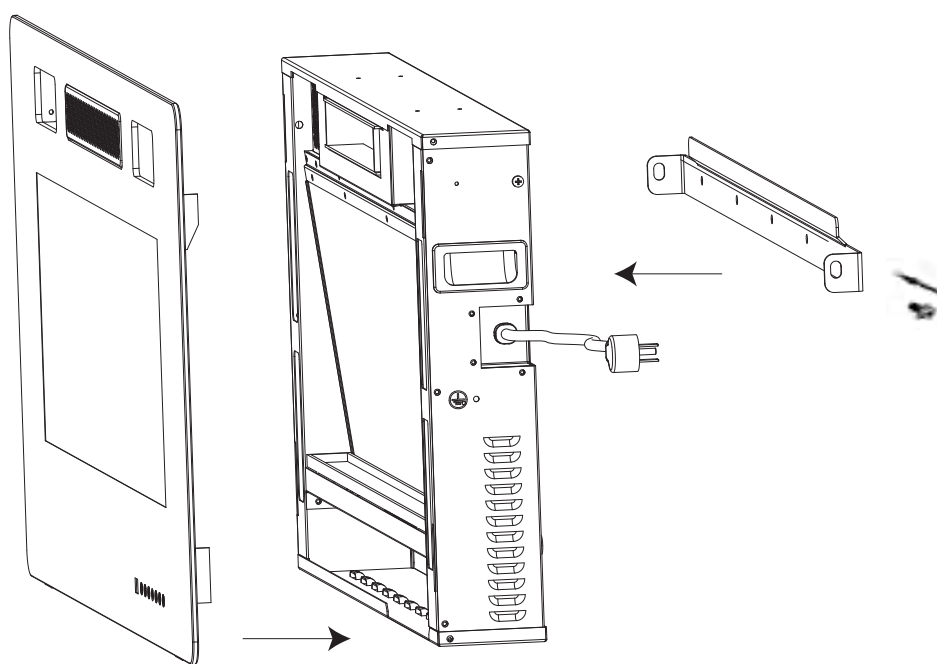
④



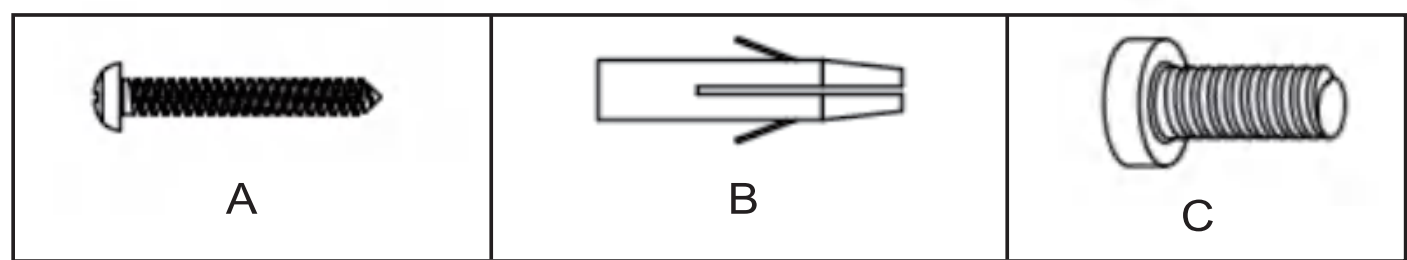
⑤



⑥

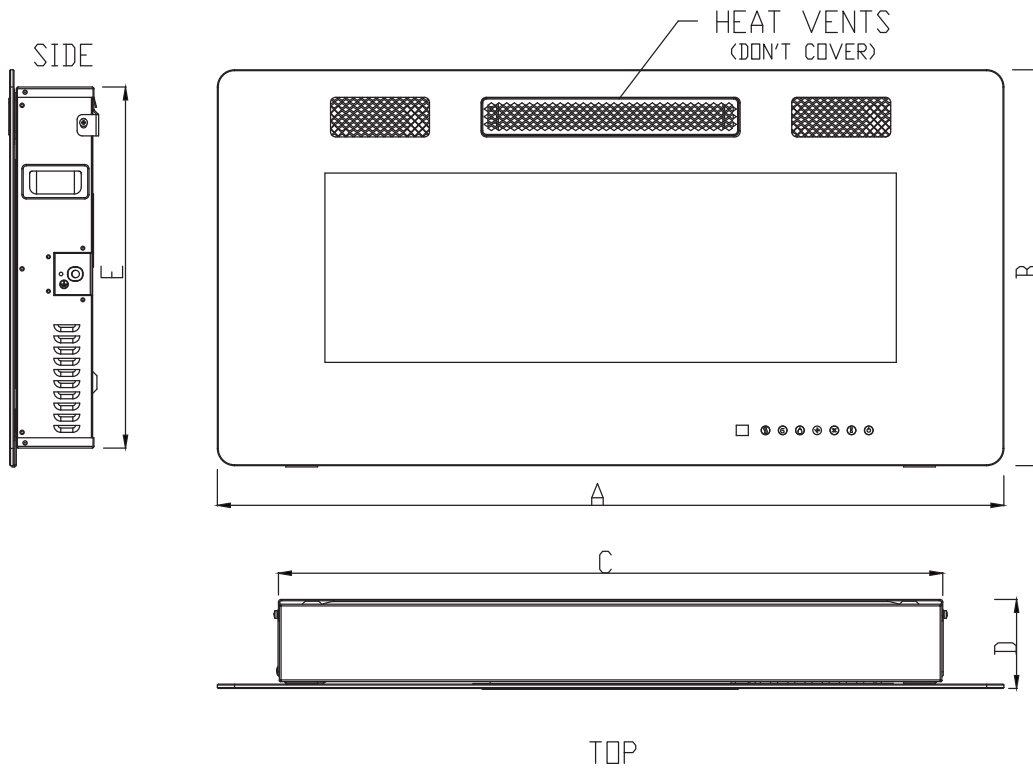


HARDWARE INCLUDED

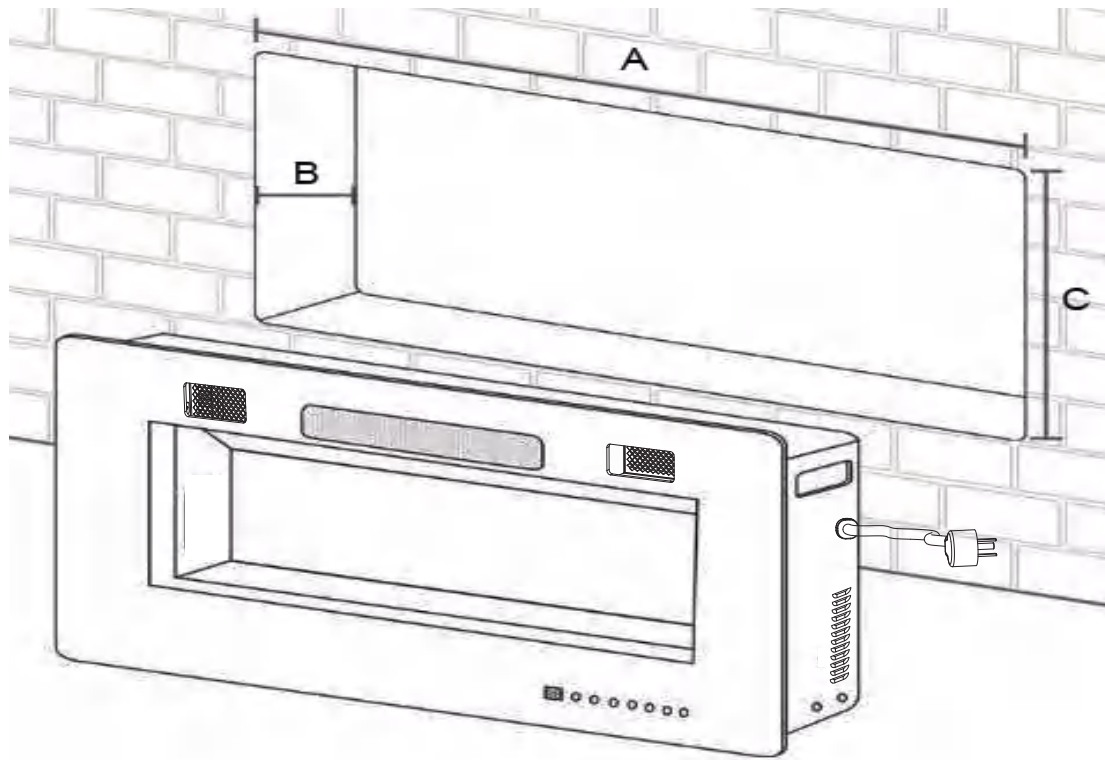


Part	Description	Quantity	Model
A	Anchor Screw	5 PCS	EP24702 / EP24703 / EP24704 EP24705 / EP24706
B	Wall Anchor	5 PCS	EP24702 / EP24703 / EP24704 EP24705 / EP24706
C	M4X12 Screw	1 PC	EP24702 / EP24703 / EP24704 EP24705 / EP24706

1.1 DIMENSIONS



Model	A(mm)	B(mm)	C(mm)	D(mm)	E(mm)	A(in.)	B(in.)	C(in.)	D(in.)	E(in.)
EP24702	762	460	618	98	420	30	18.11	24.33	3.86	16.54
EP24703	914	460	771	98	420	36	18.11	30.35	3.86	16.54
EP24704	1066	460	922	98	420	42	18.11	36.30	3.86	16.54
EP24705	1270	460	1126	98	420	50	18.11	44.33	3.86	16.54
EP24706	1524	460	1380	98	420	60	18.11	54.33	3.86	16.54



Model	A(mm)	B(mm)	C(mm)	A(in.)	B(in.)	C(in.)
EP24702	625-740	80-90	430-450	24.61-29.1	3.15-3.54	16.93-17.7
EP24703	785-895	80-90	430-450	31-35.2	3.15-3.54	16.93-17.7
EP24704	935-1045	80-90	430-450	36.82-41.1	3.15-3.54	16.93-17.7
EP24705	1140-1250	80-90	430-450	44.9-49.2	3.15-3.54	16.93-17.7
EP24706	1390-1505	80-90	430-450	54.75-59.2	3.15-3.54	16.93-17.7

NOTE:

✘ Please leave enough space to place the power cord on the right side of the fireplace.

LISTING APPROVALS

This appliance has been tested in accordance with the ETL Standards for fixed and location-dedicated electric room appliances in the United States and Canada. If you need assistance during installation, please contact your local dealer.

NOTE: This appliance must be electrically wired and grounded in accordance with local or, in the absence of local, with National Electric Code ANSI/NFPA 70-latest edition in the United States or the Canadian Electric Code, ETL in Canada.

Model No.	EP24702 / EP24703 EP24704/ EP24705 EP24706
Description	Wall-mount, recessed, Appliance
Voltage	120VAC
Watts	Max 1500W
Amps	12.5AMP
BTUs	5100BTU

2.0 ELECTRICAL INSTALLATION NOTES

2.1 GENERAL INSTRUCTIONS



CAUTION - Some parts of this product can become very hot and cause burns. Particular attention has to be given where children and vulnerable people are present.

- A. Prior to plugging your appliance into an electrical outlet, verify that the house circuit breakers for the outlet are on.
- B. The appliance may emit a slight, harmless odor when first used. This odor is normal and it is caused by the initial heating of internal appliance elements and will not occur again.
- C. If your appliance does not emit heat, consult the operation section of this manual for further information.
- D. Use with a ETL or UL certified surge protector.



RISK OF FIRE! THE POWER CORD MUST NOT BE PINCHED AGAINST A SHARP EDGE. SECURE CORD TO AVOID TRIPPING OR SNAGGING TO REDUCE THE RISK OF FIRE, ELECTRIC SHOCK OR PERSONAL INJURY. DO NOT RUN CORD UNDER CARPETING. DO NOT COVER CORD WITH THROW RUGS, RUNNERS, ETC.

ARRANGE CORD AWAY FROM CLUTTERED AREAS AND WHERE IT WILL NOT BE TRIPPED OVER.

RISK OF FIRE. TO PREVENT A POSSIBLE FIRE, DO NOT BLOCK AIR INTAKE OR EXHAUST IN ANY MANNER. DO NOT USE ON SOFT SURFACES WHERE OPENINGS MAY BECOME BLOCKED.

RISK OF FIRE. DO NOT BLOW OR PLACE INSULATION AGAINST THE APPLIANCE.

THIS ELECTRIC APPLIANCE IS TESTED AND LISTED FOR USE ONLY WITH THE APPROVED OPTIONAL ACCESSORIES. USE OF OPTIONAL ACCESSORIES NOT SPECIFICALLY TESTED FOR THIS ELECTRIC APPLIANCE COULD VOID THE WARRANTY AND/OR RESULT IN A SAFETY HAZARD.

IF THE INFORMATION IN THESE INSTRUCTIONS IS NOT FOLLOWED EXACTLY, A FIRE MAY RESULT CAUSING PROPERTY DAMAGE, PERSONAL INJURY OR DEATH. DO NOT STORE OR USE GASOLINE OR OTHER FLAMMABLE VAPORS IN THE VICINITY OF THIS OR ANY OTHER APPLIANCE.

THIS APPLIANCE IS HEAVY. IT IS HIGHLY RECOMMENDED THAT TWO PEOPLE INSTALL THIS APPLIANCE.

HEATER VENTS ON THE ELECTRIC APPLIANCE CANNOT, IN ANY WAY, BE COVERED. AS IT MAY CREATE A FIRE HAZARD.

Follow all National and local electrical codes.

1. The heaters should be installed only using the mounting brackets we provided if you want to mount it.
2. The heater must not be recessed in the ceiling. There must be enough space around the top of the heater to ensure adequate ventilation.
3. The heater should be at least 60 cm away from any surrounding walls.
4. A distance of at least 90 cm should always be left in front of the heaters to ensure safety.
5. The Heater must not be located either directly below, or in front of a socket-outlet.
6. The heater must be installed so as to prevent any control switches being able to be touched by anyone who is in the shower or bath.
7. Make sure that there is no possibility of inflammable material, combustible material or curtains coming into contact with the heater, there is a risk of fire if this happens.
8. **DO NOT LEAVE THE HEATER UNATTENDED DURING USE.**

3.0 INSTALLATION INSTRUCTIONS

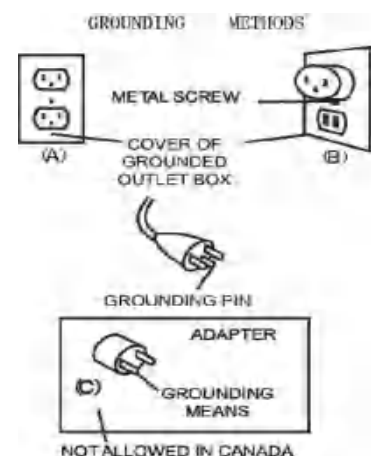
3.1 UNPACKING AND TESTING APPLIANCE WALL

Carefully remove the appliance from the box. Prior to installing the appliance, test to make sure the appliance operates properly by plugging the power supply cord into a conveniently located 120 Volt grounded outlet.

3.2 GROUNDING APPLIANCE

This appliance is for use on 120 Volts. The cord has a plug as shown in (A). An adapter as shown in (C) is available for connecting three-blade grounding type plugs to two-slot receptacles. The green grounding lug extending from the adapter must be connected to a permanent ground such as a properly grounded outlet box. The adapter should not be used if a three-slot grounded receptacle is available.

To disconnect appliance, turn controls to off, then remove plug from outlet.



3.3 ASSEMBLY

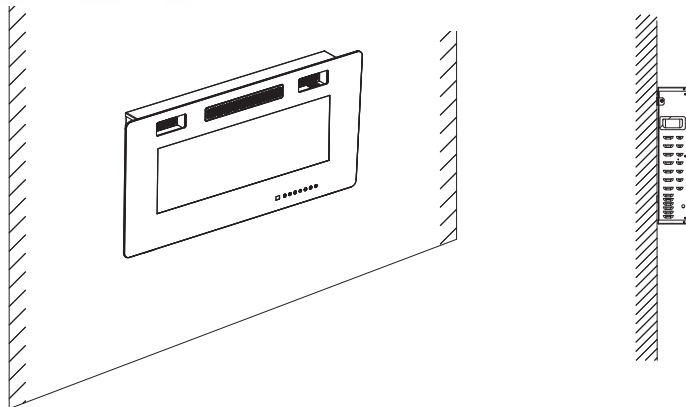
The fireplace can be installed with **2** options:

1. Wall hanging with provided mounting bracket.
2. Built in construction (in wall recessed).

Follow installation instructions below based on installation preference.

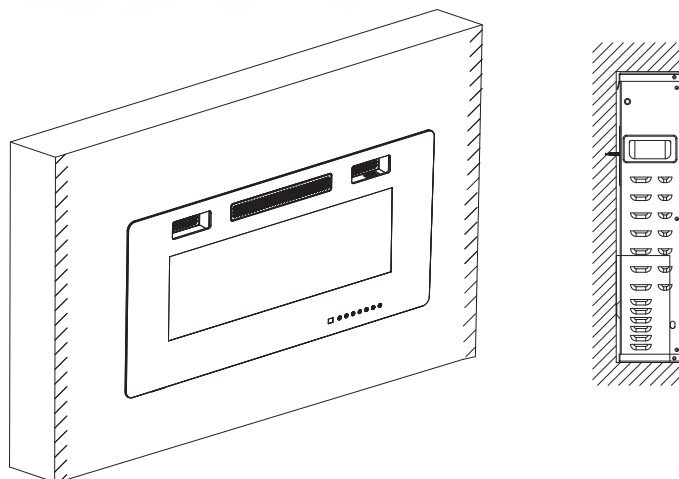
Option 1:

Wall Hanging.....page 14-17



Option 2:

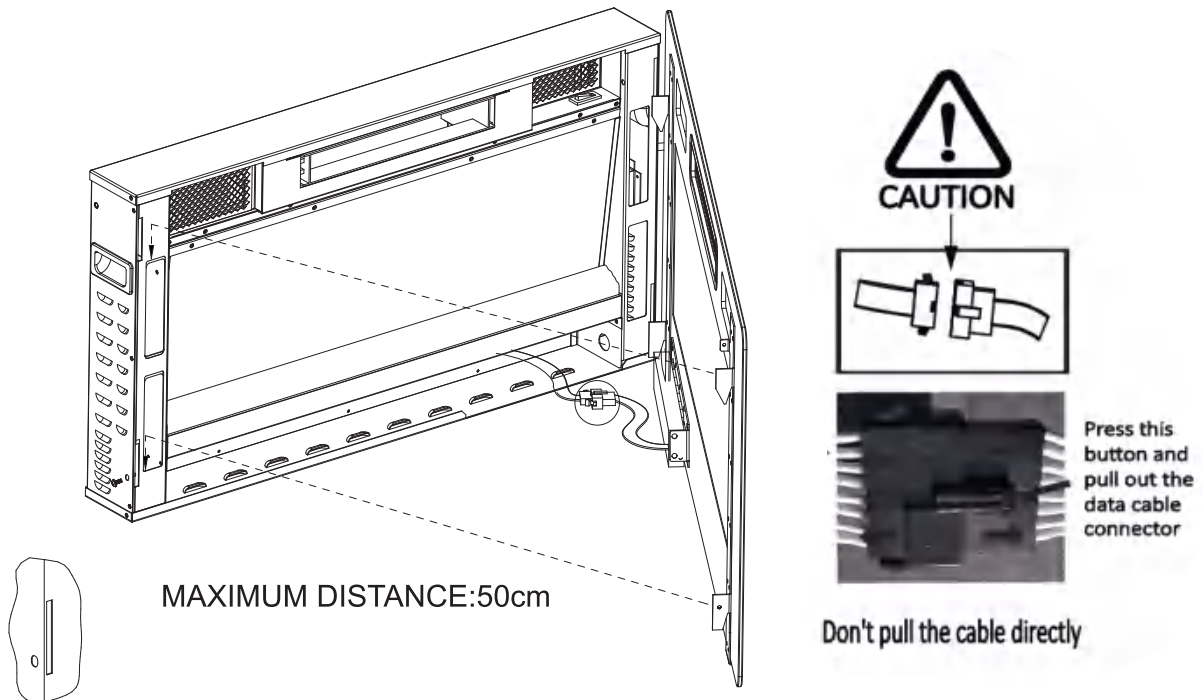
Built in Construction.....page 18-20



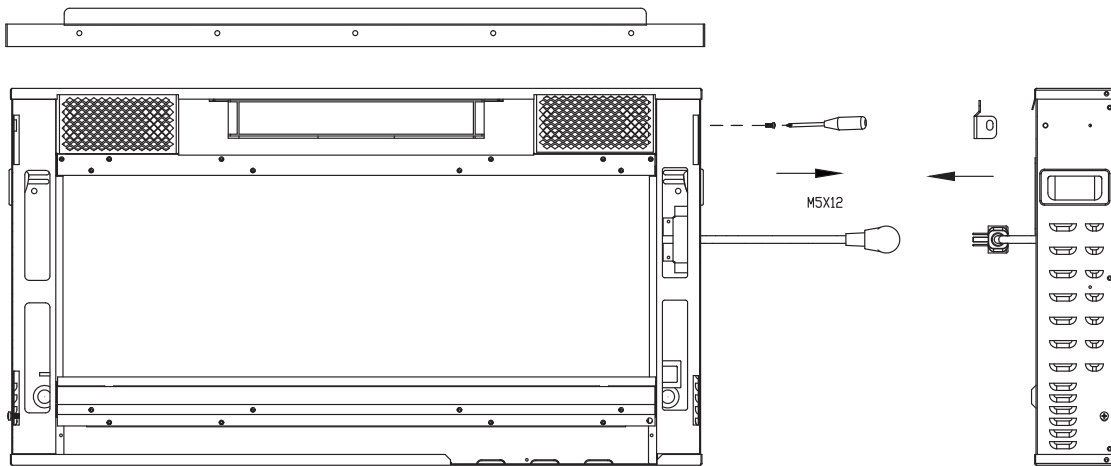
Installation - Wall Hanging

Step 1. Removing the Glass Frame

- Remove the fixed screw in the lower-left corner (Do not discard it)
- Lift the glass frame 1-2cm vertically. Then the entire glass frame can be removed from the front.
- Take the glass frame 10-20cm away from the appliance, pull out the data cable connector with the help of others or put the glass panel down on the ground before complete separation.



Step 2. Removing the Mounting Bracket



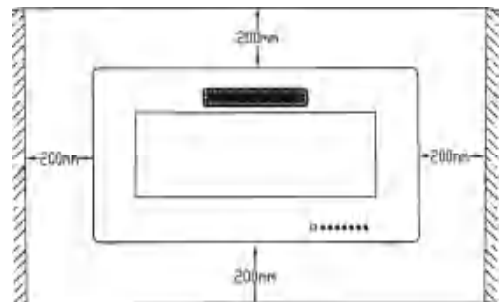
- Unscrew the two screws by Phillips screwdriver from both ends (Do not discard them), then remove the pre-attached mounting bracket.

Step 3. Choosing a Wall Location

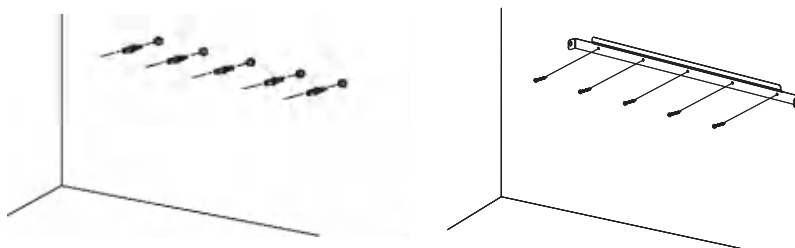
- Find a safe location. Minimum clearance from the ceiling and the mantel must be at least 8 inches (200mm); minimum clearance from the front must be at least 3 feet (900 mm). Choose a location near an outlet so an extension cord is not required.

Note: DO NOT position the unit directly below a power outlet.

See Safety Information on pages 2 and 3 for more warnings about placement, installation, and use of this product.

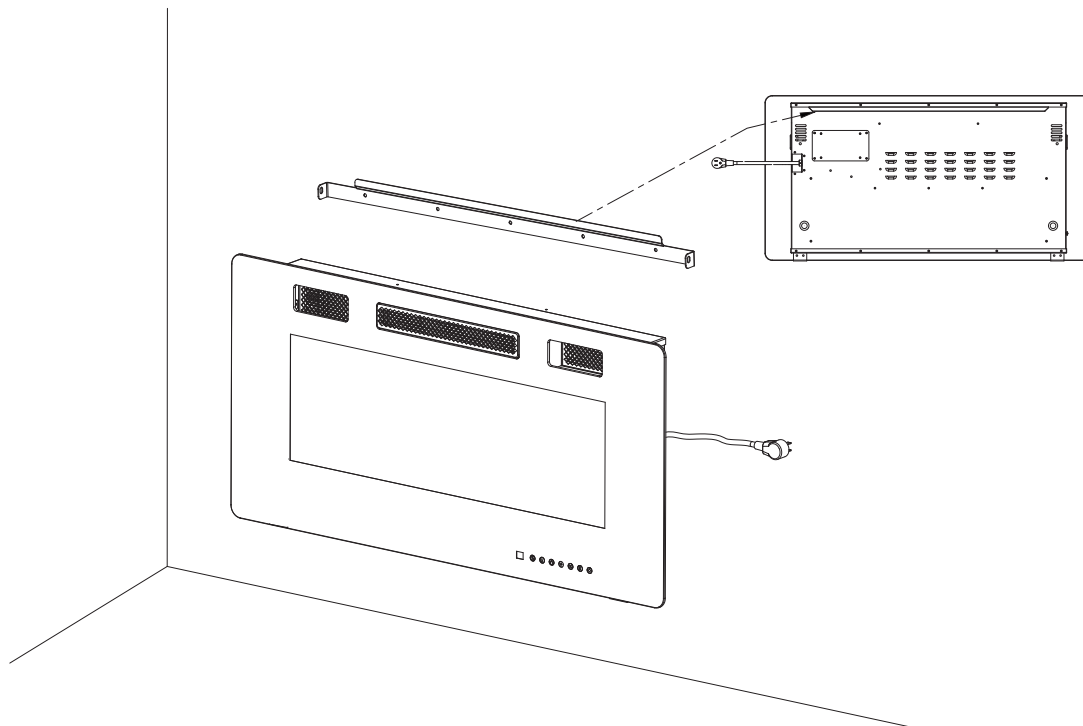


Step 4. Drilling the Holes and attaching the Mounting Bracket



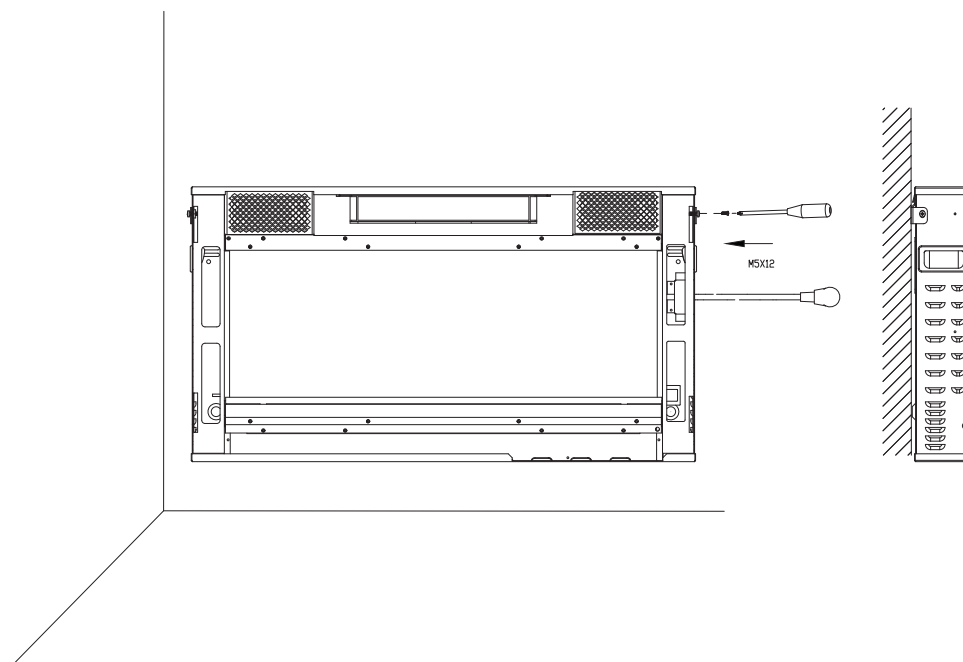
- Use a level to align the bracket and mark the holes which need to be drilled with a pencil.
- Drill 3-10 (according to the model you have bought) 7/25 in. (7mm) holes in the wall.
- Insert the wall anchors into the holes using a hammer.
- Attach the mounting bracket to the wall by fastening the Anchor Screws (Part A) into the wall anchors (Part B).

Step 5. Hanging the Fireplace on the Bracket



- Hang the slotting behind the appliance on the hooks at the left and right sides of the bracket.
(Please hold the appliance to avoid dropping down before the installation is finished)

Step 6. Locking the Fireplace on the Bracket



- Lock the bracket at both ends with a screw to ensure a solid combination of the fireplace and bracket

Step 7. Placing the Decorations

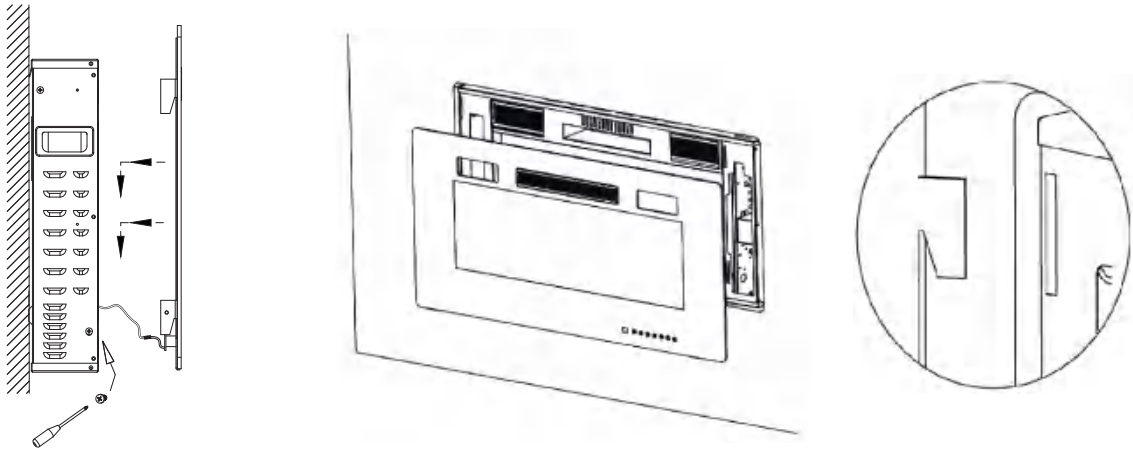
- Carefully place crystal (together with the appliance) or other decoration into the bottom tray on the front of the appliance as illustrated.

NOTE: Media bed kits may have sharp edges, wear safety glasses and gloves when handling.



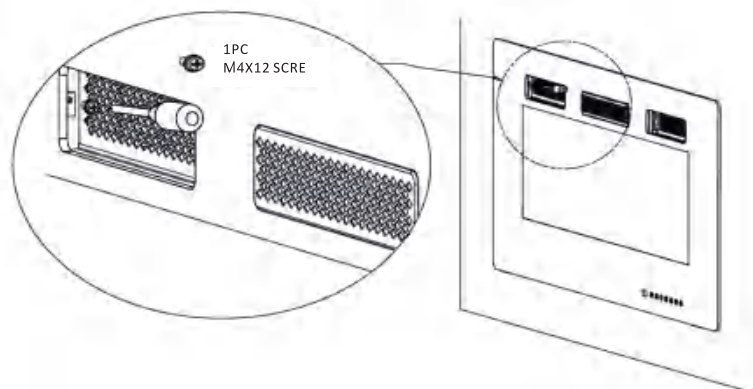
Step 8. Hanging the Glass Frame

- Connect the data cable connector before hanging the glass frame on the appliance.
- Gently push on the glass panel by aligning the 4 hooks until it snaps into position (sinks down 1-2 cm).
- Secure the glass panel with the screw removed in Step 1 (or part B).



Step 9. Refasten the Glass Frame

- Thread the M4X12 screw into the threaded holes on the glass panel. Check the alignment of the glass panel and securely tighten the screws.



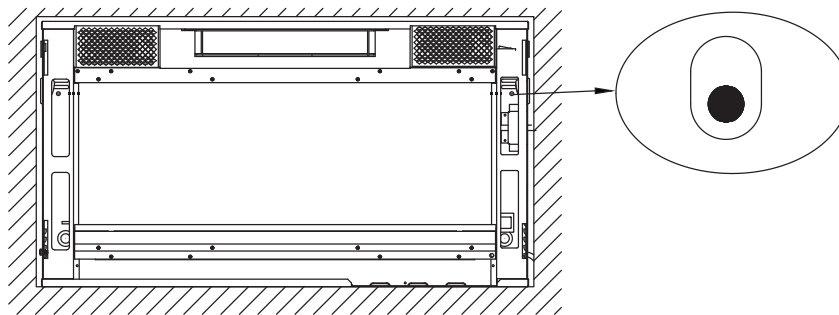
Installation - Built in Construction

Step 1. Removing the Glass Frame

Step 2. Removing the Mounting Bracket

(Step 1 and Step 2 please refer to page 14-15 same as Wall Hanging Installation.)

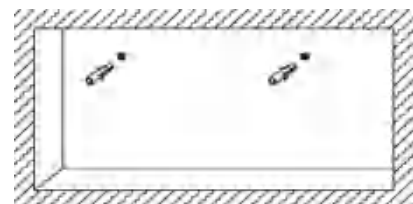
Step 3 . Settling the Holes of Screw



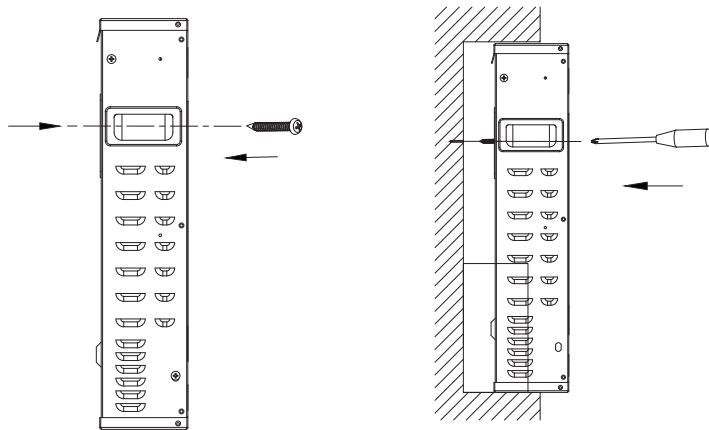
- The appropriate cavity (1-2cm bigger for each side) needs to be prepared according to the size of the appliance.
- Put the fireplace in place, mark the holes which need to be drilled with a pencil. Then take it out of the cavity again.

Step 4 . Drilling & Installing the Wall Anchors

- Drill the holes 7/25 in. (7mm) on the prepared marks.
- Insert the wall anchors (Part B) into the holes using a hammer.



Step 5 . Placing the Pads and Fixing the Fireplace



- Screws (Part A) pass through the holes from the front of fireplace with screwdriver.
- (Note: Install carefully and don't let the screws fall into the fireplace.)**
- Put the Fireplace into the prepared cavity.
- Fasten the fireplace firmly into the wall by the screws for each side.

Step 6 . Placing the Decorations

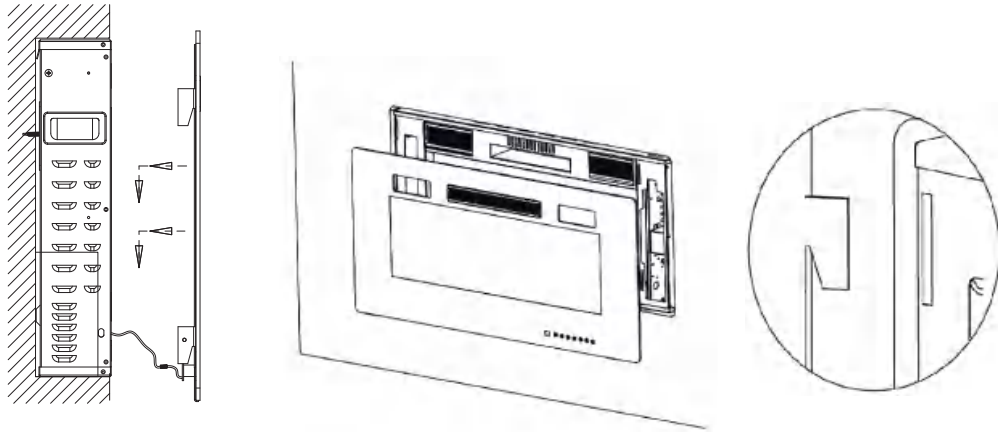
- Carefully place crystal (together with the appliance) or other decoration into the bottom tray on the front of the appliance as illustrated.

NOTE: Media bed kits may have sharp edges, wear safety glasses and gloves when handling.



Step 7 . Hanging the Glass Frame

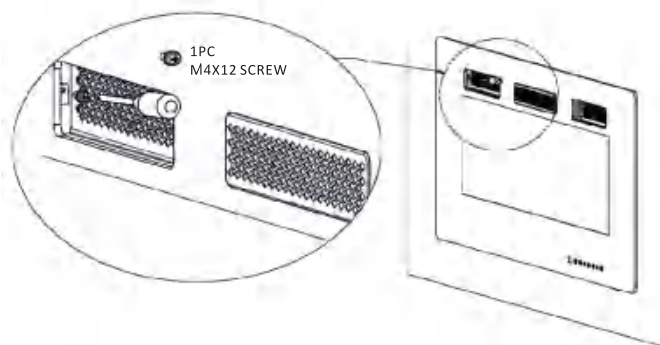
- Connect the data cable connector before hanging the glass frame on the appliance.
- Gently push on the glass panel by aligning the 4 hooks until it snaps into position (sinks down 1-2 cm).
- Secure the glass panel with the screw removed in Step 1.



WARNING: It's better to reserve a space between frame and wall to enable better air circulation during working if available.

Step 8 . Refasten the Glass Frame

- Thread the M4X12 screw into the threaded holes on the glass panel. Check the alignment of the glass panel and securely tighten the screws.



4.0 FINISHING



GRILLE MAY BE HOT, DO NOT TOUCH AIR OUTLET UNTIL COOLED.

THE DOOR HOOKS ARE PART OF A SAFETY SYSTEM AND MUST BE PROPERLY ENGAGED. DO NOT OPERATE THE APPLIANCE WITH HOOKS DISENGAGED.

FACING AND/OR FINISHING MATERIALS MUST NOT INTERFERE WITH AIR FLOW THROUGH AIR OPENINGS, OPERATION OF OR DOORS OR ACCESS FOR SERVICE. OBSERVE ALL CLEARANCES WHEN APPLYING COMBUSTIBLE MATERIALS.

BEFORE DOOR IS REMOVED TURN THE APPLIANCE OFF AND WAIT UNTIL APPLIANCE IS COOL TO THE TOUCH. DOORS ARE HEAVY AND FRAGILE SO HANDLE WITH CARE.

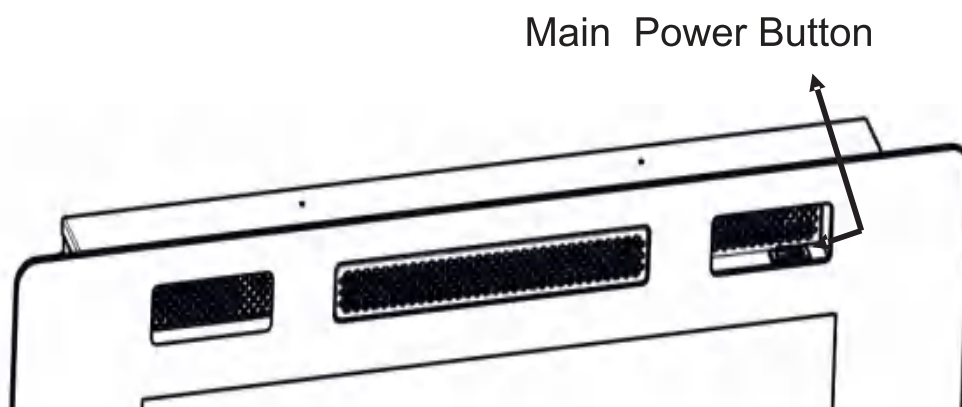
NOTE: Glass front must be removed and the appliance must be finished in its final location before the media bed kits are installed. Media bed kits may have sharp edges, wear safety glasses and gloves when handling.

5.0 OPERATING INSTRUCTIONS

Once the appliance has been plugged into a grounded electrical outlet, it is ready to operate.

5.1 MAIN POWER BUTTON

Press indicator to turn on the appliance, press the other side turns it off.



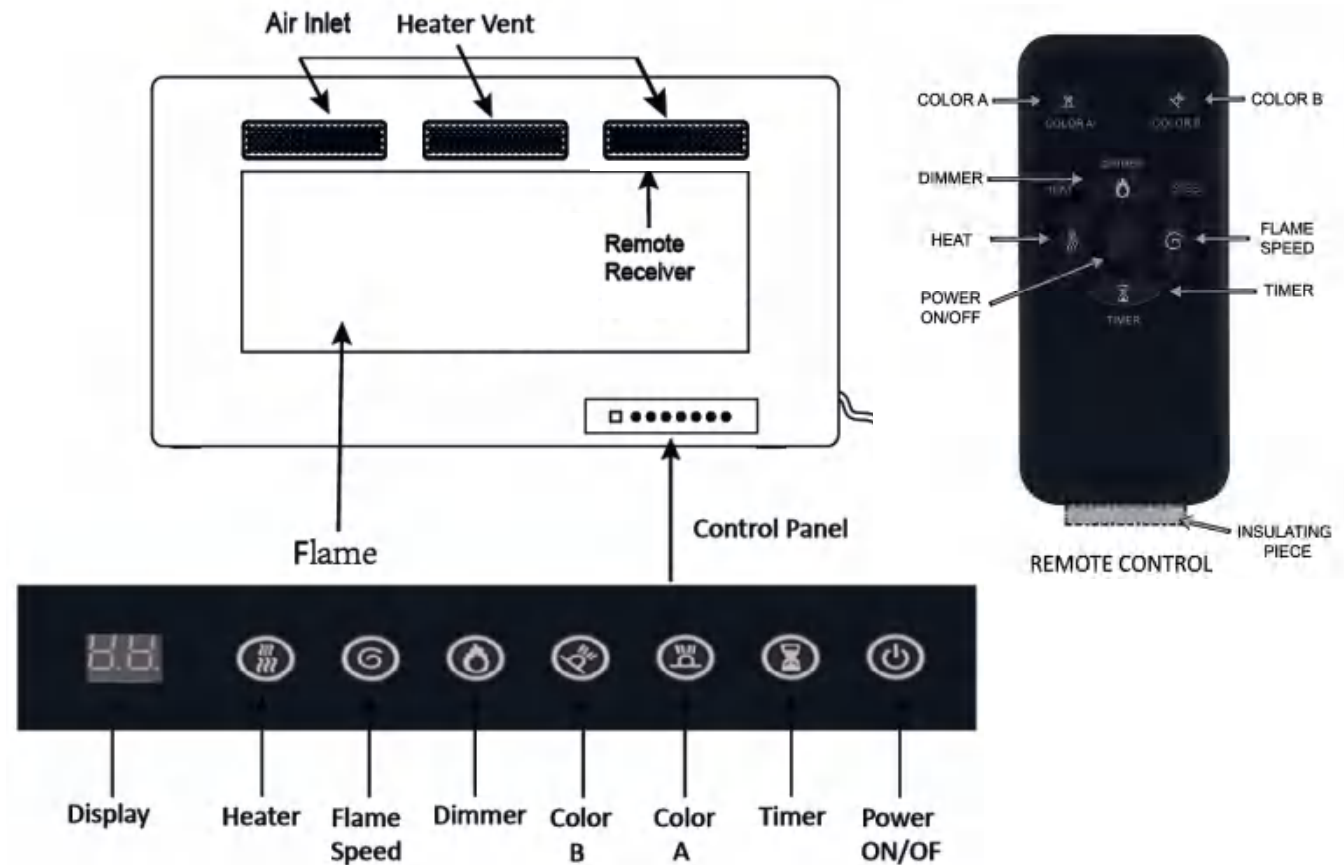
Note: Make sure the Main Power Switch is turned on before operating.

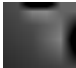

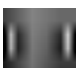

5.2 CONTROL PANEL / REMOTE CONTROL OPERATION

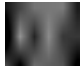


(Main Power Switch must be turned ON before using remote control.)

The touch display panel is shown on the bottom right of the front of the appliance.

◆ Move the battery's transparent insulating piece away before using remote control.



POWER		Turn the appliance ON/OFF. NOTE: Make sure the main switch on the top of fireplace is turned on before operating.
DIMMER		Control Flame brightness. 5 Settings: (L1-L2-L3-L4-L5) Flame dims from L1 to L5. L5 is the brightest setting. NOTE: Long-press the "DIMMER" button for 6 seconds, the appliance will go into sleep mode. All the lights off, the heating function goes on. Long-press for 6 seconds again, the appliance will back to normal mode.
TIMER		Control the Timer. 8 Settings: (1h, 2h, 3h, 4h, 5h, 6h, 7h, 8h) Press button until reach desired setting.
FLAME SPEED		Control Flame speed. 5 Settings: (V1-V2-V3-V4-V5) Flame speed from V1 to V5. V5 is the fastest setting.

<p>HEATER</p>		<p>Control the Heater. Press button to initiate the heater. (OFF) no heater or blower. (-), heater blows warm air(750W) (--), heater blows hot air(1500W) NOTE: Heater functions cycle from (OFF) (-)(--)</p>
<p>COLOR A</p>		<p>Control the flame color. 12 Settings: 1.red 2.yellow 3.blue 4. orange 5.red & yellow 6.red & blue 7.red & orange 8.yellow & blue 9. yellow & orange 10.blue & orange 11.red & yellow & blue 12.multicolor NOTE: When you press the button for 6 seconds until you hear a beep, the indicator will show digital "0", the flame color and brightness will be changed automatically.</p>
<p>COLOR B</p>		<p>Control the flame bed color. 12 Settings: 1.red 2.gentian blue 3.green 4.pink 5.yellow 6.cyan 7.purple 8.white 9.saffron 10.sky blue 11.verdant 12.capri blue NOTE: When you press the button for 6 seconds until you hear a beep, the indicator will show digital "0", the flame color and brightness will be changed automatically.</p>

WARNING: Do not move or remove the mesh trim panel, when the appliance is plugged in and operating. This will cause the remote control and touch panel to no longer function.

NOTICE: When the heater is first turned on, a slight odor may be present. This is normal and should not occur again unless the heater is not used for a long period of time.

NOTICE: To improve operation, aim the remote control at the front of the fireplace. **DO NOT** press the buttons too quickly. Give the unit time to respond to each command.

5.3 REMOTE CONTROL

◆ Move the battery's transparent insulating piece away before using.



Battery must be recycled or disposed of properly. Check with your Local Authority or Retailer for recycling advice in your area.