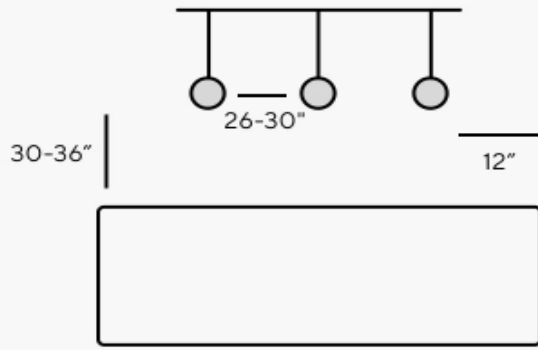




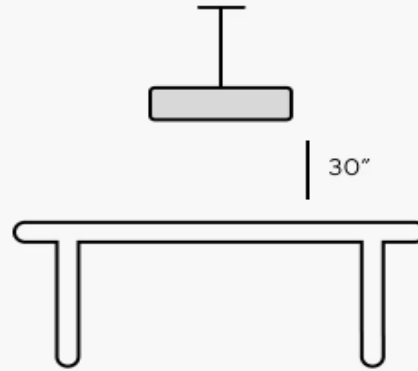
Measuring for Pendant Lighting

When installing pendants and chandeliers, it's important to consider how you want your fixtures to hang in relation to the other furnishings in your space. Read on for our recommendations on how to hang the perfect light.



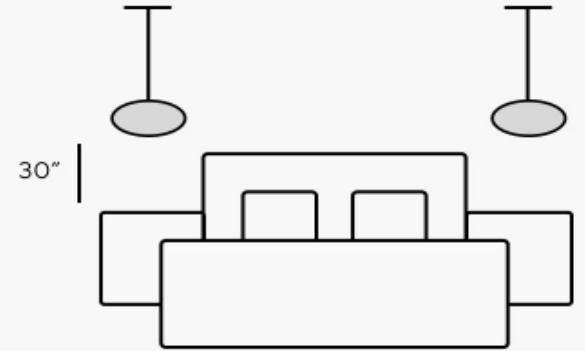
Kitchen

Aim for 30-36" from the bottom of your fixture's shade to the top of your island or countertop. Space multiple pendants 26-30" apart. For a sense of proportion and balance, allow 12" from the outermost fixture to the edge of your counter.



Dining

For optimal lighting and visibility, the bottom of your pendant should sit 30" from the surface of your dining table. To scale your fixture, take the length and width of the room in feet, then convert that to inches. For a 10' by 14' room, the chandelier should be about 24" wide.



Bedroom

If you're hanging a pendant above a nightstand, allow for at least 30" between the bottom of the shade and your nightstand's surface. To keep the look balanced, center your pendant over your nightstand.