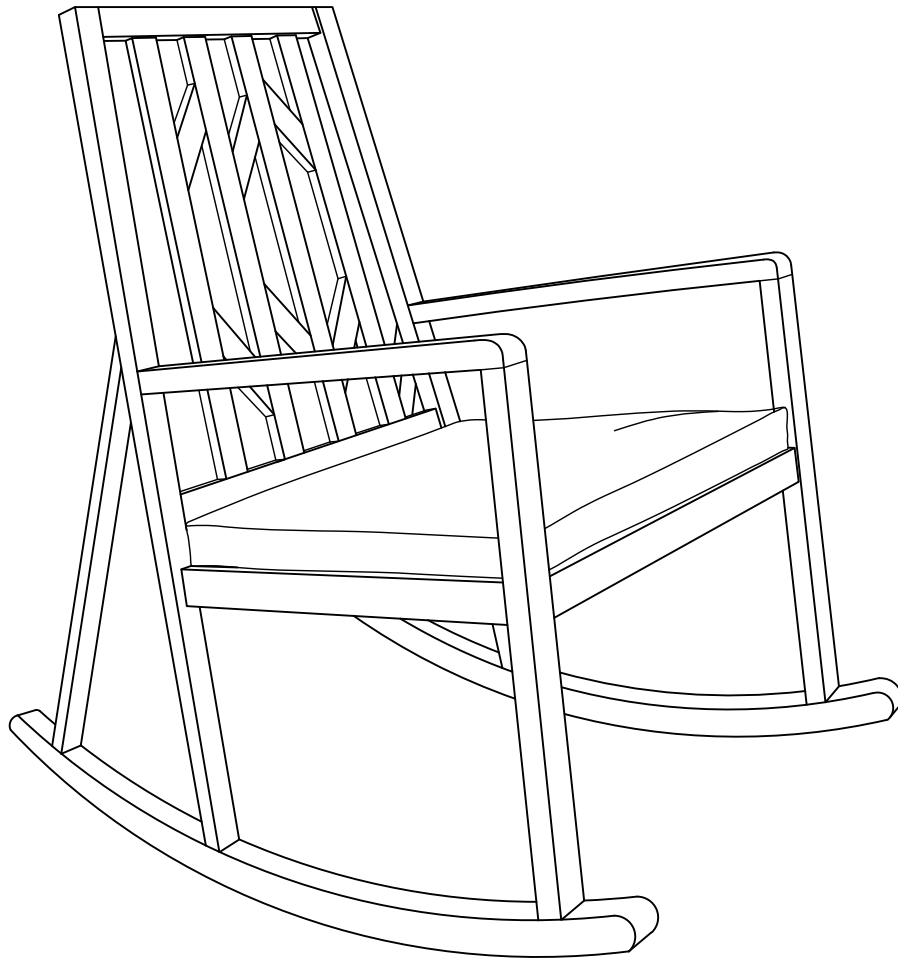


Assembly Instructions

Caution: You must read this before you proceed

Please look in the rocking base for hardware packs.

Rocking Chair

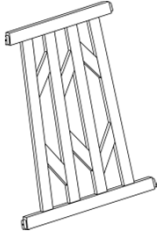

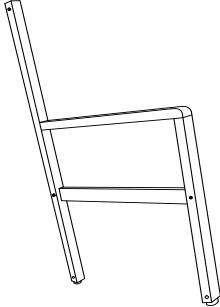
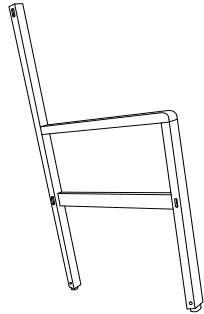



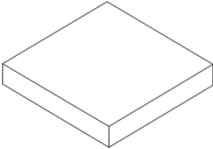


Caution: This Rocking Chair is NOT a TOY.

Keep your child / children at bay in the process of assembly.

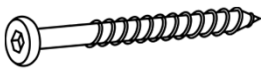




For turning the Rocking Chair and to prevent damage to the Rocking Chair, 02 persons may be needed to execute this action.

Parts List

Label	Picture	Description	QTY
A		Backrest Panel	1
B		Seat Panel	1
C		Left Leg Panel	1
D		Right Leg Panel	1
E		Rocking base	2
F		Left Leg Support Bar	1
G		Right Leg Support Bar	1
H		Seat Cushion	1

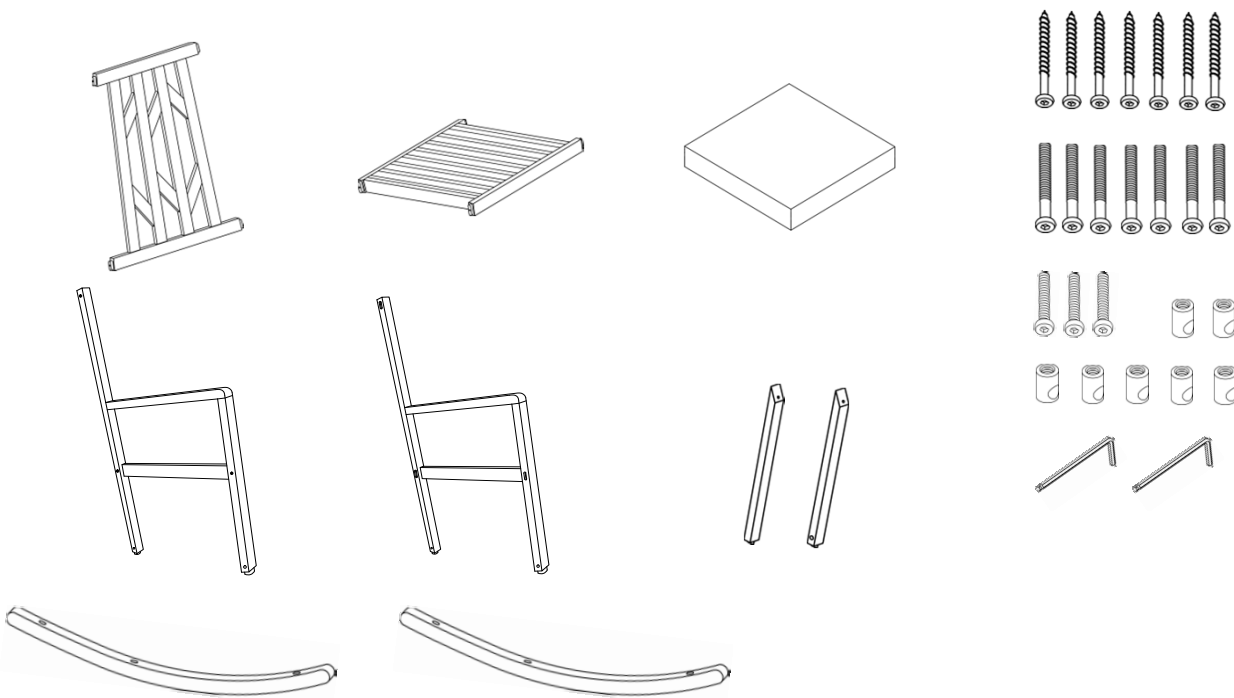
Hardware

Note: A Long Bolt (②) will be used to guide in the Cross Nut (⑤)
This Bolt is to be kept with Allen Wrench as spare Hardware

Label	Picture	Description	QTY
①		Screw (M6*80mm)	7
②		Long Bolt (M6*70mm)	7
③		Short Bolt (M6*30mm)	3
④		Cross Nut (M6x13mm)	7
⑤		Allen Wrench	2

Assembly Preparation

Before Beginning Assembly:



- Read instructions, cover to cover-



- Have 2 adults on hand for assembly-



- Do not assemble on flooring or carpet-



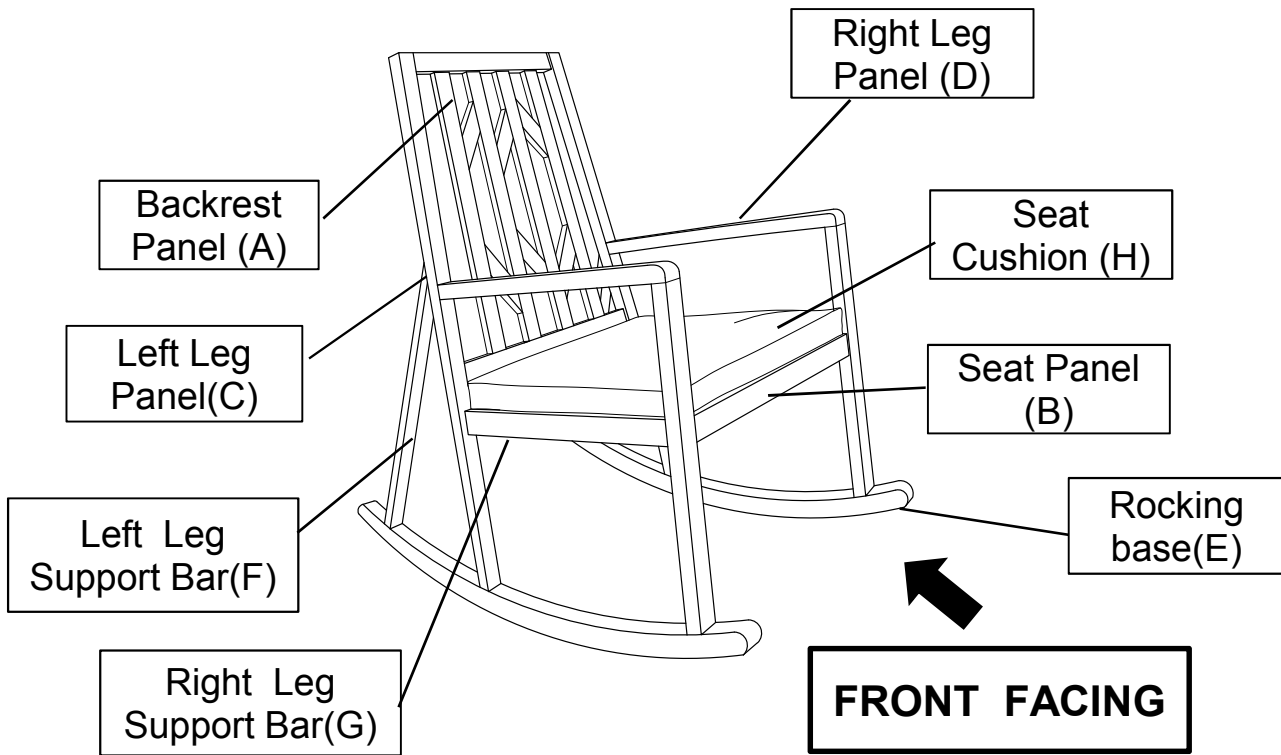
- Assemble on a clean non-marring surface (packing foam)-



- Save all packaging until finished-

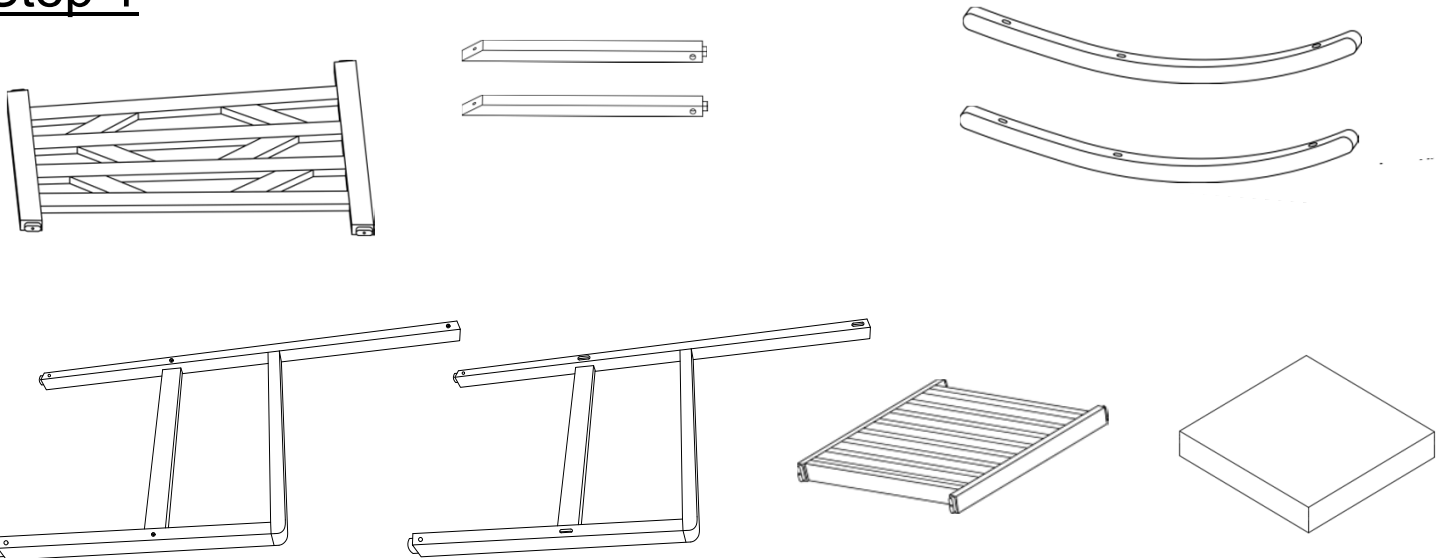
Assembly Steps

Overview



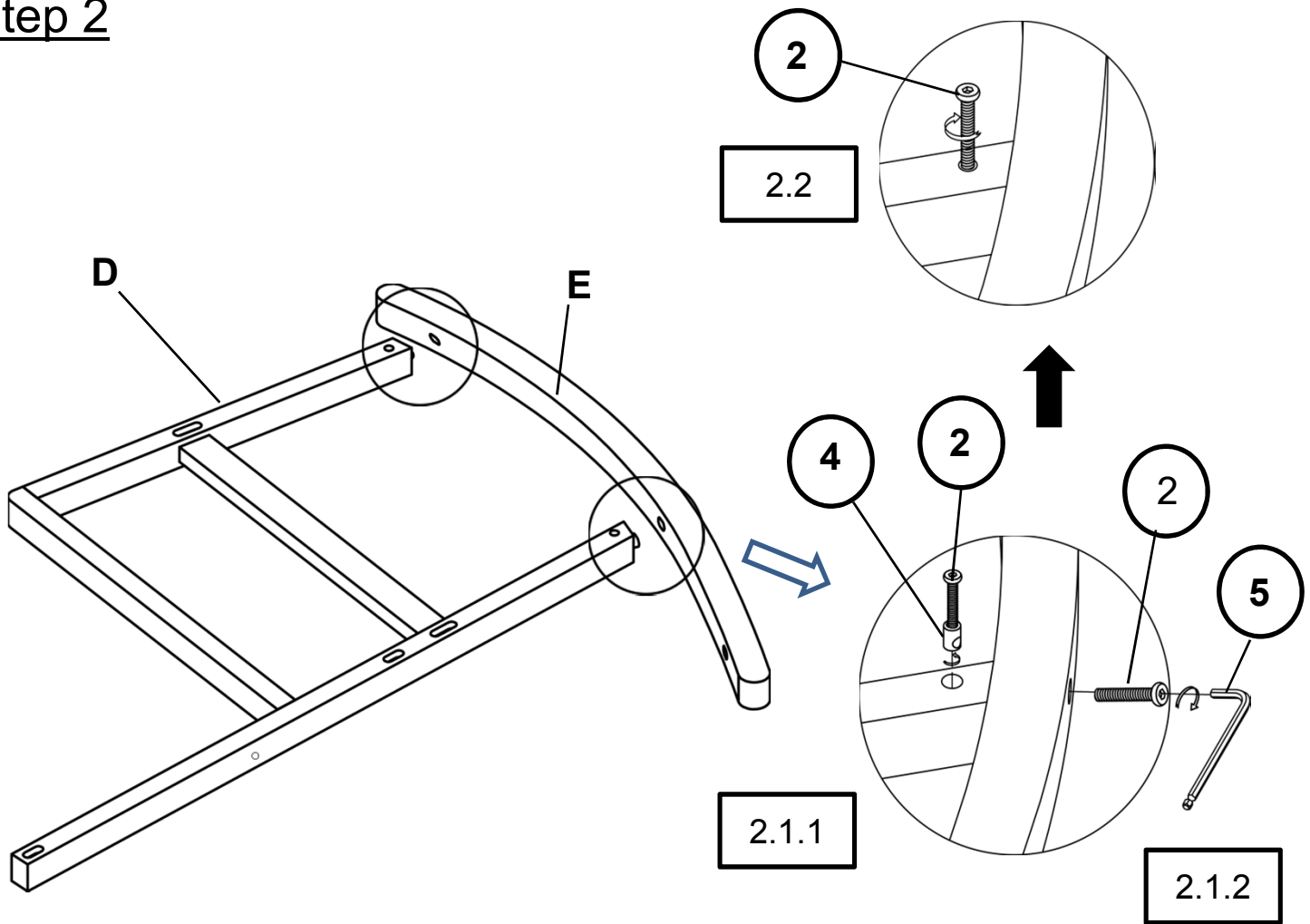
This Rocking Chair has multiple parts and may require up to 30 minutes to assemble. To give you an overview of the Rocking Chair parts, the above picture is to help you put the various parts into perspective. Please read through the instructions below to familiarise yourself with the parts and steps before assembly.

Step 1



Unpack and place all parts on a clean, non-marring surface.

Step 2



Position Right Leg Panel (D) to Rocking Base (E)

2.1.1) Attach Long Bolt (②) to the top of Cross Nut(④) by hand, turning clockwise.

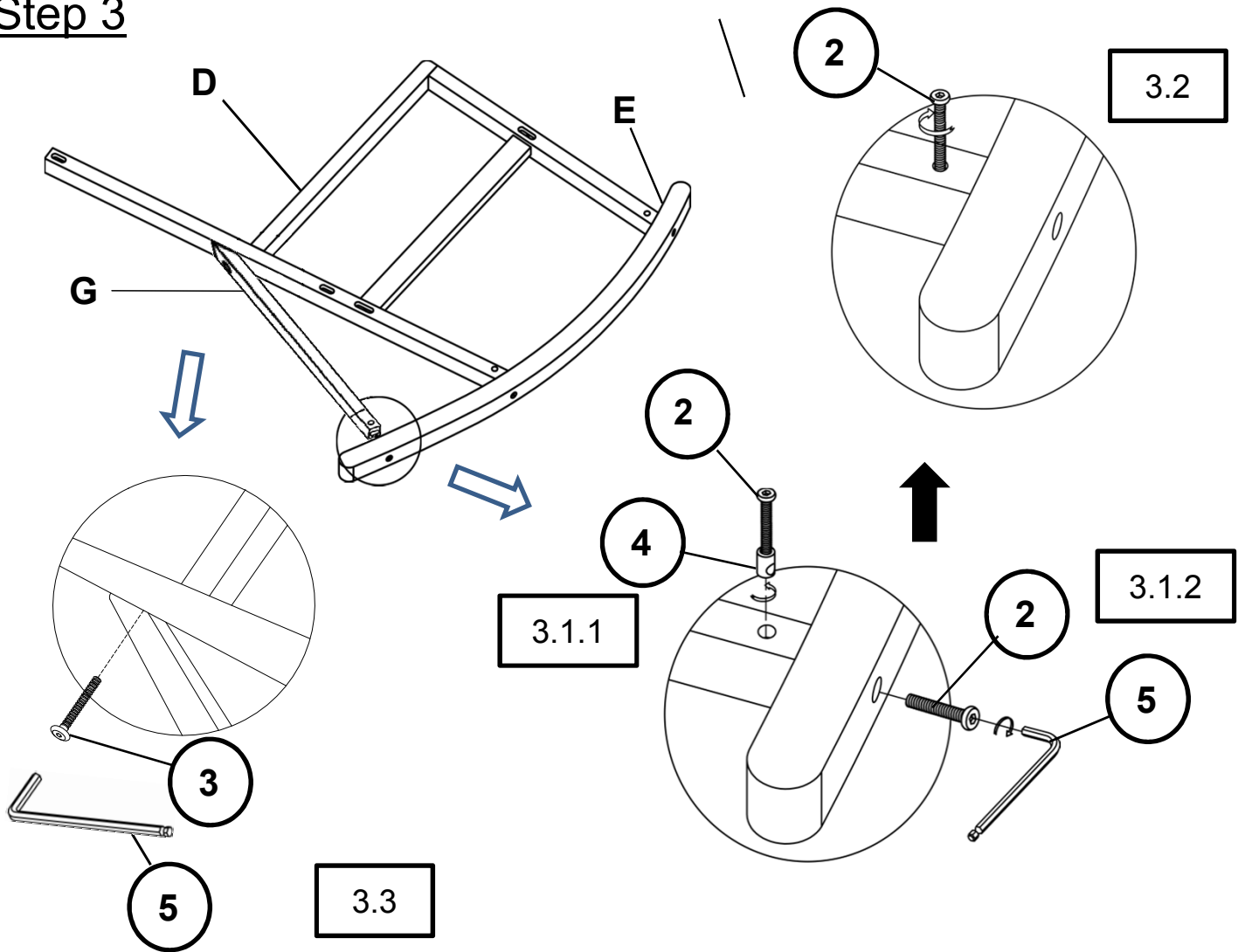
Insert both into housing position of Right Leg Panel(D)

2.1.2) Insert the Long Bolt (②) through the housing position of Rocking Base (E) and affix to Cross Nut (④) inside of Right Leg Panel(D), tighten with Allen Wrench(⑤)

2.2) Remove the first Long Bolt (②) by hand

Do not fully tighten the Bolts.

Step 3



Position Right Leg Support Bar (G) to Rocking Base (E) and Right Leg Panel (D)

3.1.1) Attach Long Bolt ((2)) to the top of Cross Nut((4)) by hand, turning clockwise. Insert both into housing position of Right Leg Support Bar (G)

3.1.2) Insert the Long Bolt ((2)) through the housing position of Rocking Base (E) and affix to Cross Nut ((4)) inside of Right Leg Support Bar (G), tighten with Allen Wrench((5))

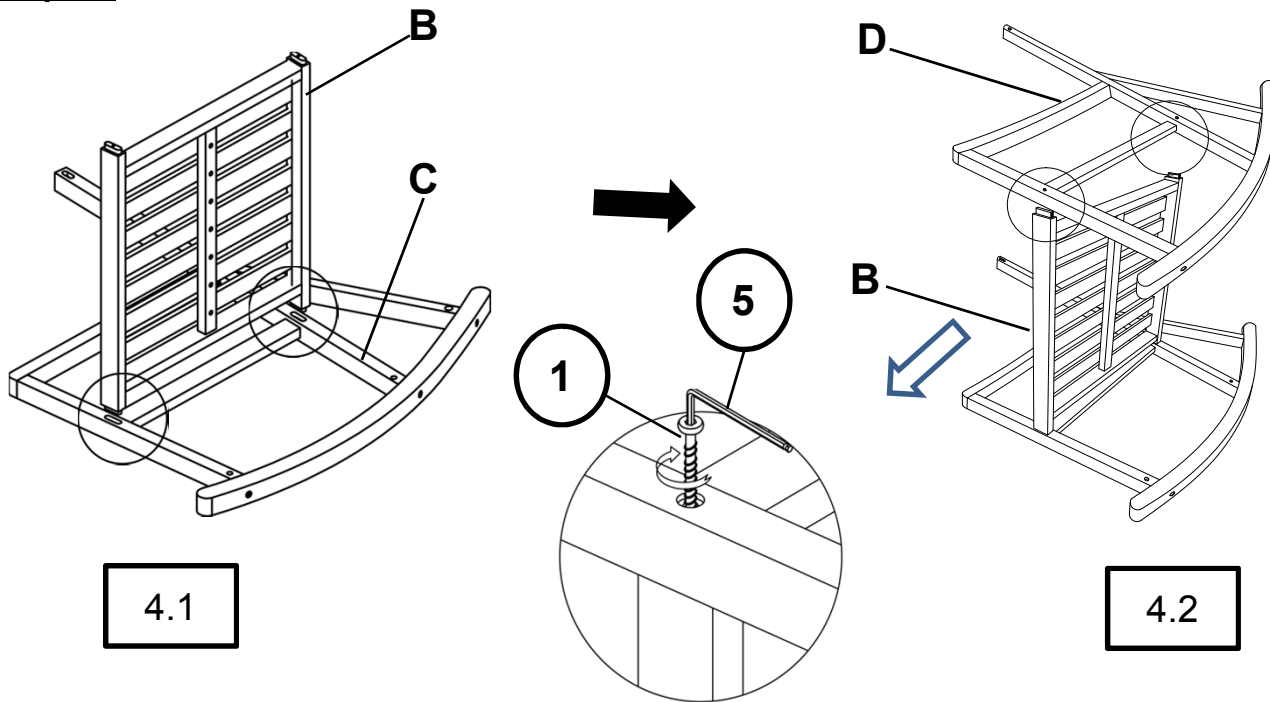
3.2) Remove the first Long Bolt ((2)) by hand

3.3) Secure Right Leg Support Bar (G) to Right Leg Panel (D) by using Short Bolt ((3)) and Allen Wrench()

Do not fully tighten the Bolt.

Repeat the same process of Step 2 and 3 for the other Left Leg Panel (C) and Left Leg Support Bar (F)

Step 4



4.1) Place the Left Leg in Step 3 with inside face skywards onto a clean, soft surface to avoid any scratches or damages to the product

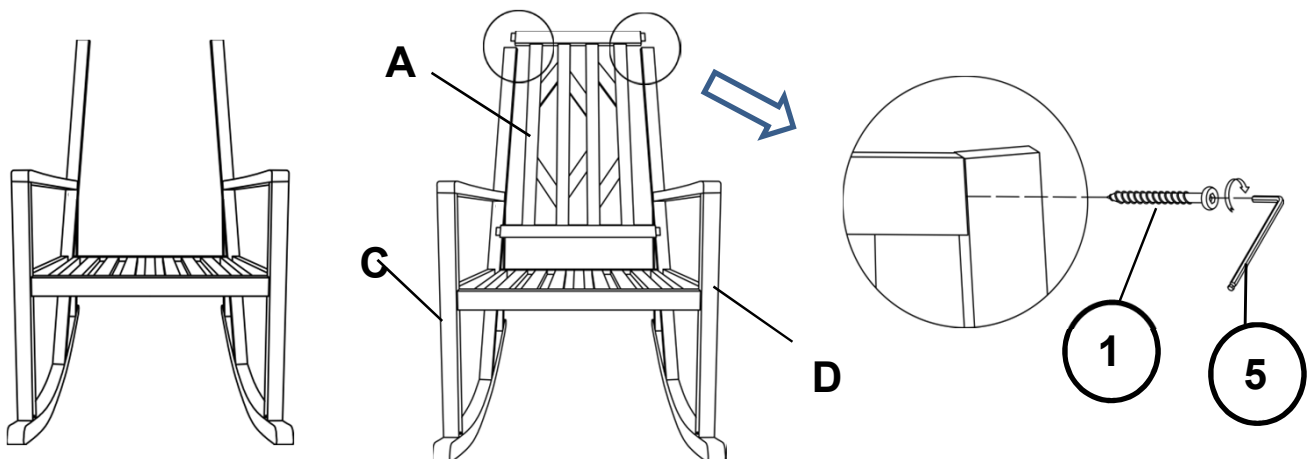
Position the Seat Panel (B) to Left Leg Panel (C) as shown.

4.2) Attached Right Leg Panel (D) in Step 3 into Seat Panel (B), secure by using Screw (①) and Allen Wrench (⑤).

Do not fully tighten the Screws.

With assistance from your adult partners, turn the Rocking Chair to the other side and secure Left Leg Panel (C) to Seat Panel (B) in same process above.

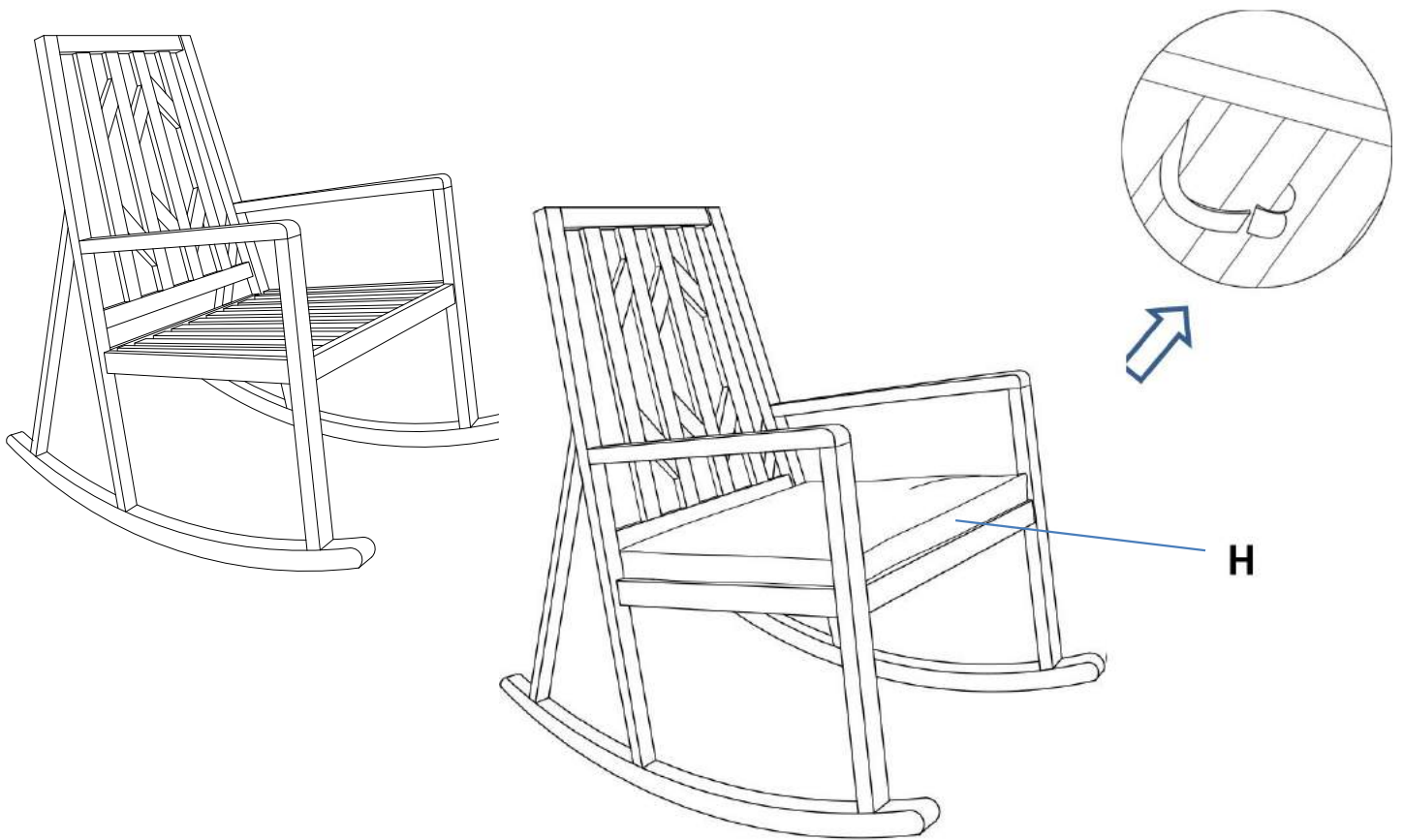
Step 5



With assistance from your adult partners, turn the Rocking Chair right side up
Attach Backrest Panel (A) to Right Leg Panel (D) and Left Leg Panel (C), secure by using Screw (①) and Allen Wrench (⑤)

Do not fully tighten the Screws.



















Step 6



Inspect the Rocking Chair and make sure all parts are adequately connected. In a sequential manner, tighten all Bolts and Screws at all joints. Place Seat Cushion (H) on to the Rocking Chair using the magic tape straps as shown above. Your Rocking Chair is ready for use.

This Rocking Chair can only be used on a flat, level surface.

Care & Maintenance

-   ● Do not put hot items directly on furniture surface
 -   ● Do not clean furniture with harsh cleansers or polish.
 -   ● To obtain the longest lifespan of your outdoor products, minimizing exposure to direct sunlight is recommended.
 -   ● Children should not climb or jump on the furniture.
 -   ● Do not write on furniture without a padded barrier to protect the surface.
 -   ● To obtain the longest lifespan of your outdoor products, avoid extended and lengthy exposure to rain, snow, and direct sunshine. Whenever possible cover the product and /or place under patio or awnings.
 -   ● Not for commercial use. For residential use only .
 -   ● Stains may be removed with mild soap solution and damp cloth.
-
-   ● Dust and pick-up spills using a clean, non-colored, lint-free cloth .