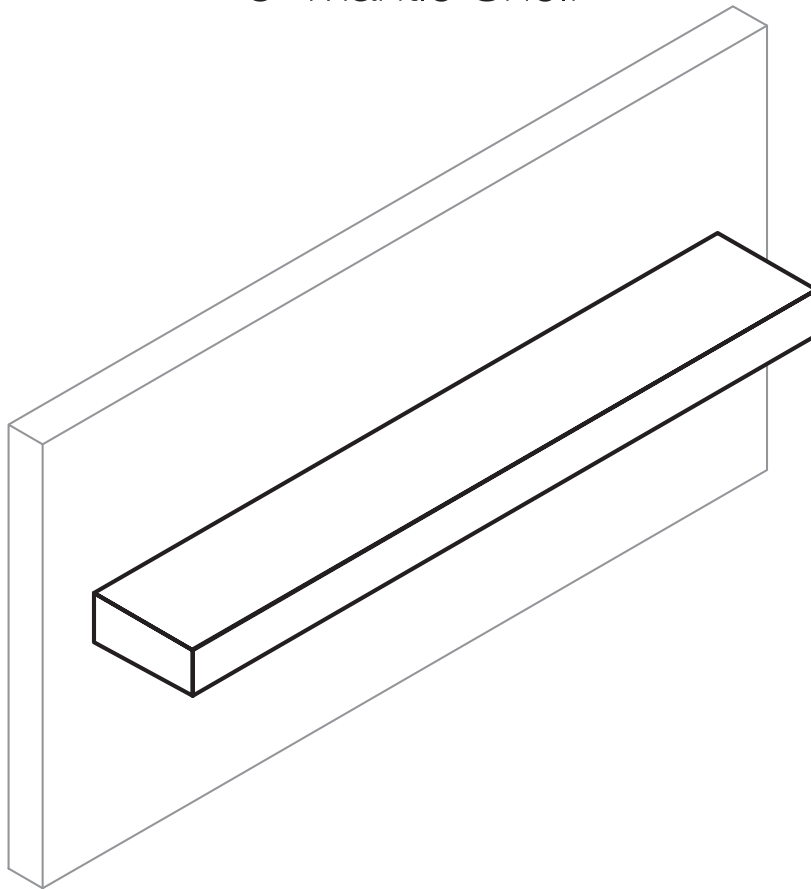




MODERN EMBER

Austin 3" Mantle Shelf



Material: Sanded Pine Wood
Length: 48" | 60" | 72"

MODEL:

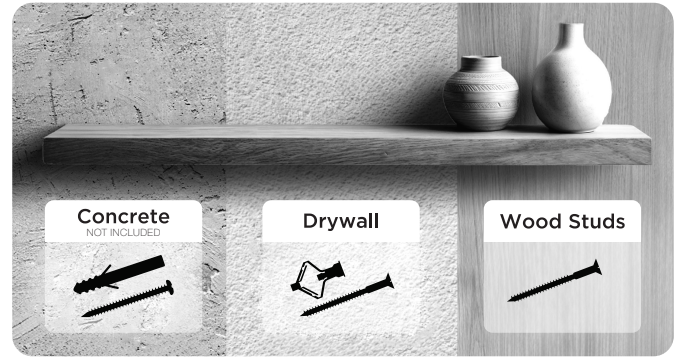
AUSTIN-48X3-BCHW | AUSTIN-48X3-WW | AUSTIN-48X3-SBL | AUSTIN-48X3-UMB | AUSTIN-48X3-WWAL
AUSTIN-60X3-BCHW | AUSTIN-60X3-WW | AUSTIN-60X3-SBL | AUSTIN-60X3-UMB | AUSTIN-60X3-WWAL
AUSTIN-72X3-BCHW | AUSTIN-72X3-WW | AUSTIN-72X3-SBL | AUSTIN-72X3-UMB | AUSTIN-72X3-WWAL

OWNER'S MANUAL

Preparation

MOUNTING GUIDE

It is recommended to mount to a wall studs. If your application calls for mounting directly to drywall, concrete, or brick, we recommend using the appropriate hardware that can be found at your local hardware store.



INCLUDED

A	Mantel Shelf
B	Support Bracket
C	Long Screws
D	Short Screws
E	Wall Anchors

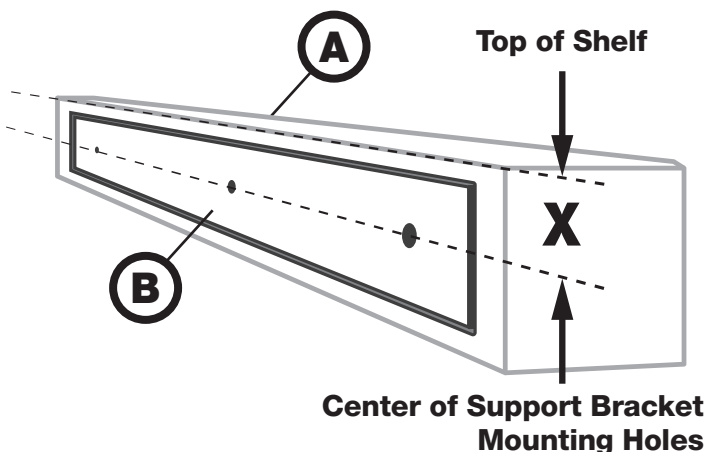
NOT INCLUDED

1	Stud Finder
2	Pencil
3	Level
4	Screwdriver
5	Drill & Drill Bits

Installation Instructions

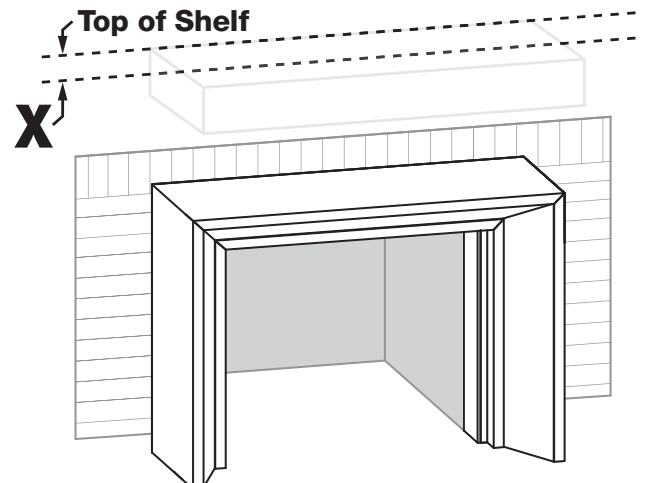
STEP 1

With Support Bracket **(B)** inserted into Mantel Shelf **(A)** measure and note the distance between the top of the Shelf and the center of the Support Brackets mounting holes.



STEP 2

Hold Shelf **(A)** at desired height above fireplace or wall. Level and mark the top of the shelf on wall. Measure down the noted measurement **(X)** from step 1 and mark this line on wall.

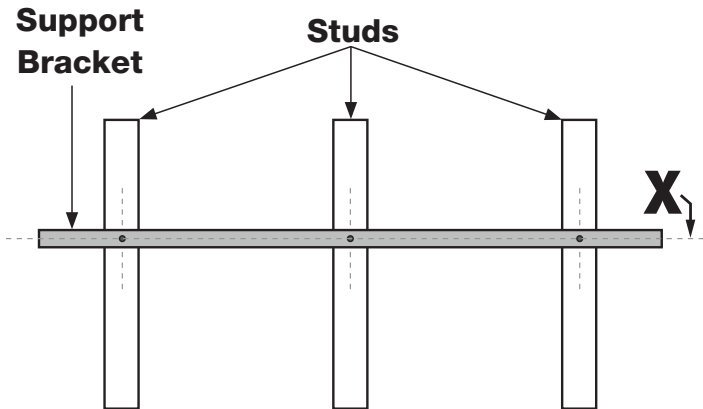


Installation Instructions

STEP 3

Locate studs using stud finder and note center of studs (stud installation is recommended).

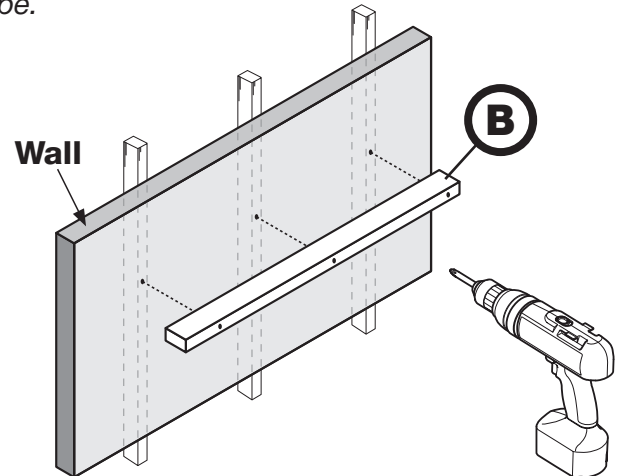
Using the Support Bracket (B) as a guide on noted line (X), mark location of mounting holes.



STEP 4

Pre-drill pilot holes at marked locations.

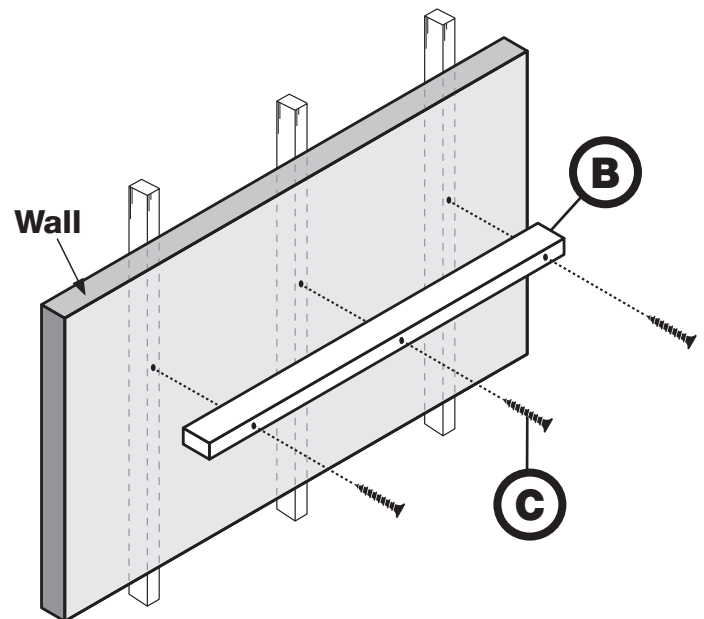
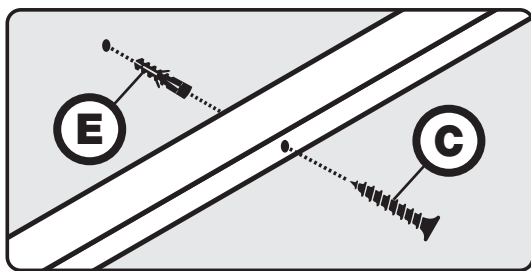
NOTE: Wall anchors are not required when mounting to a stud. If no studs were located in Step 3, you will need to drill appropriate sized hole for your anchor type.



STEP 5

Attach Support Bracket (B) to the wall using provided Long Screws (C). If preferred by the installer, other screws can be used.

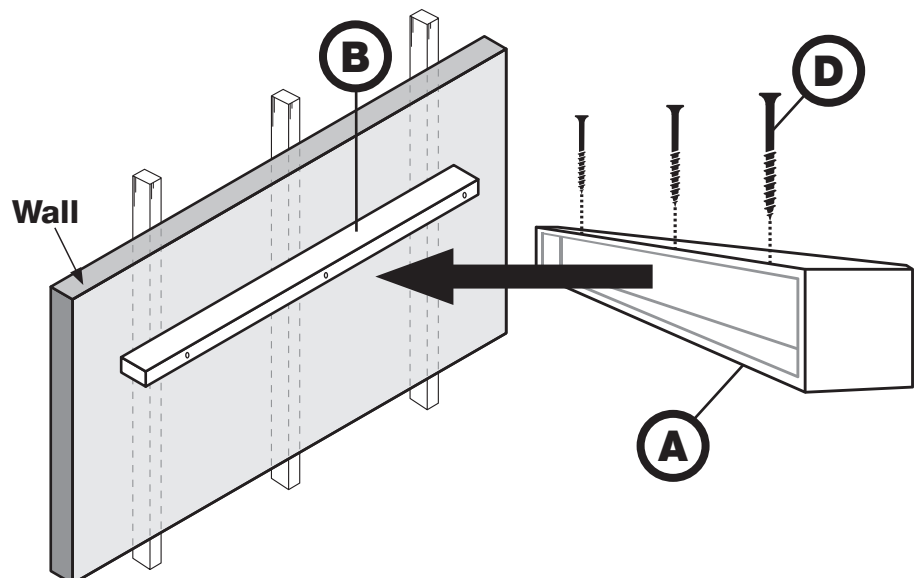
NOTE: If no studs were located in Step 3, you will need to install provided wall anchors (E).



STEP 6

Place the Shelf (A) onto the Support Bracket (B).

Using a screwdriver (or drill), drive the provided Short Screws (D) straight down through the pre-drilled holes in the top surface of the Mantel Shelf (A).





MODERN EMBER

Thank you for purchasing our Austin Mantel Shelf!

Each unit has been manufactured to ensure safety and reliability.
Before first use, read the instructions carefully and keep it for further reference.

Questions, problems, missing parts?
Before returning to store, call Customer Service:

8am-5pm CST, Monday - Friday

Phone: 877-430-0703

Email: resolution@netdirectmerchants.com

Retain this manual for future use.

Don't forget to tag us!

**#mantelsdirect
#modernember**

