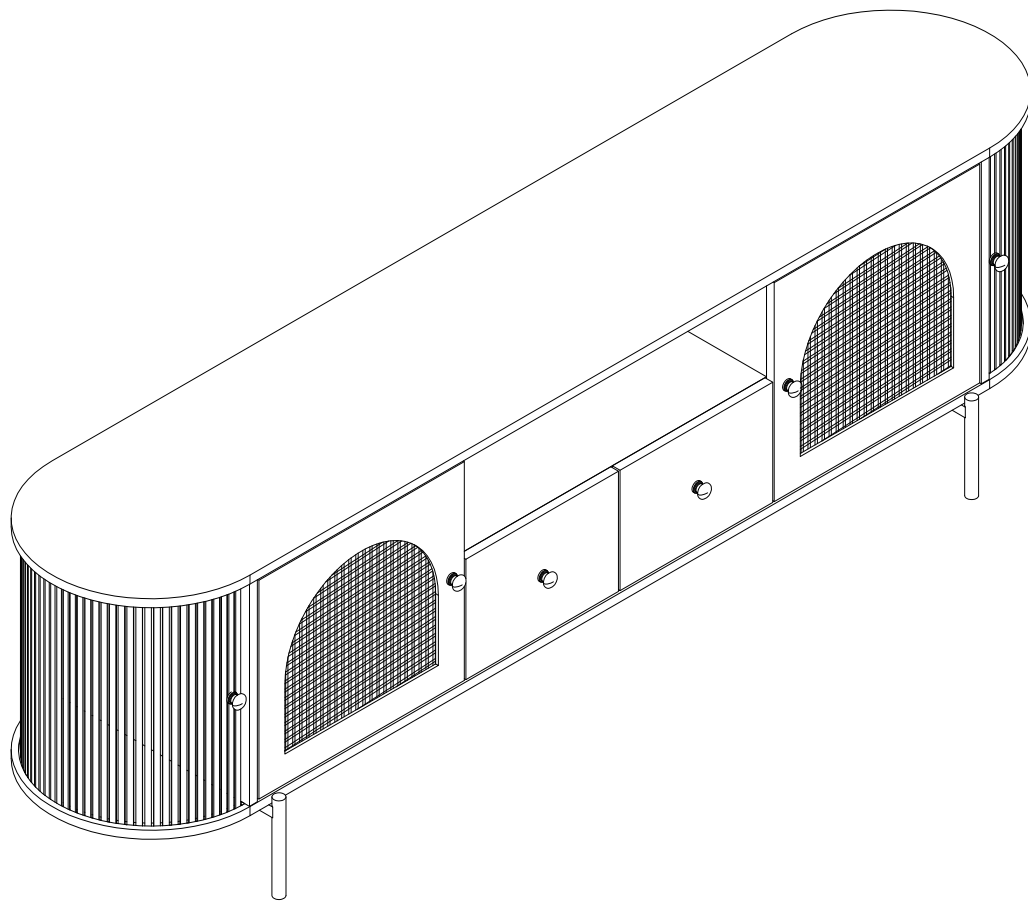
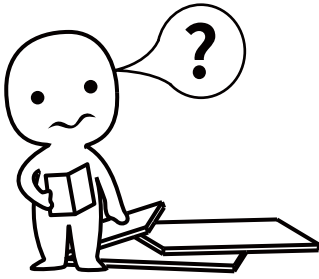


# Product Instruction

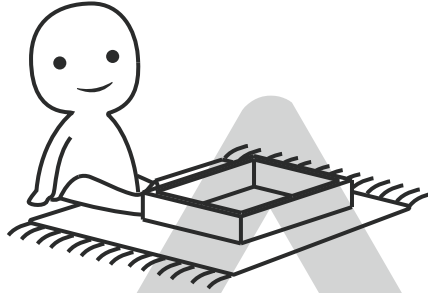
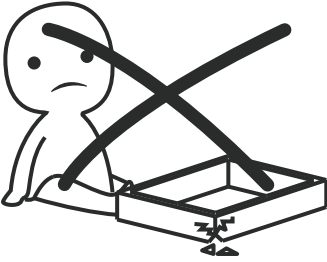
N724P437189





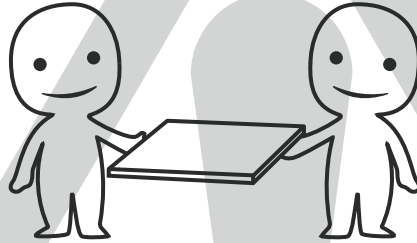
### IMPORTANT INFORMATION!

please read the entire manual before starting to assemble and/or using this product. follow the manual thoroughly and keep it for further reference.



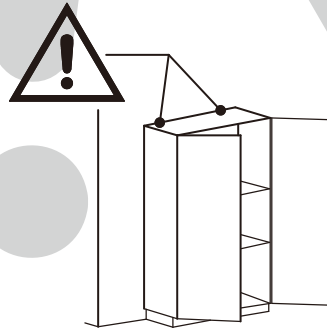
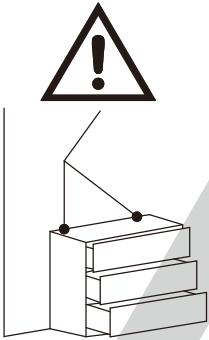
### AVOID SCRATCHES!

In order to avoid scratching this furniture should be assembled on a soft layer—could be a rug.



### IMPROVE EFFICIENCY !

Try to find a partner to install with you, which can speed up the installation efficiency and shorten the time.



### ANTI-TOPPLE WARNING !

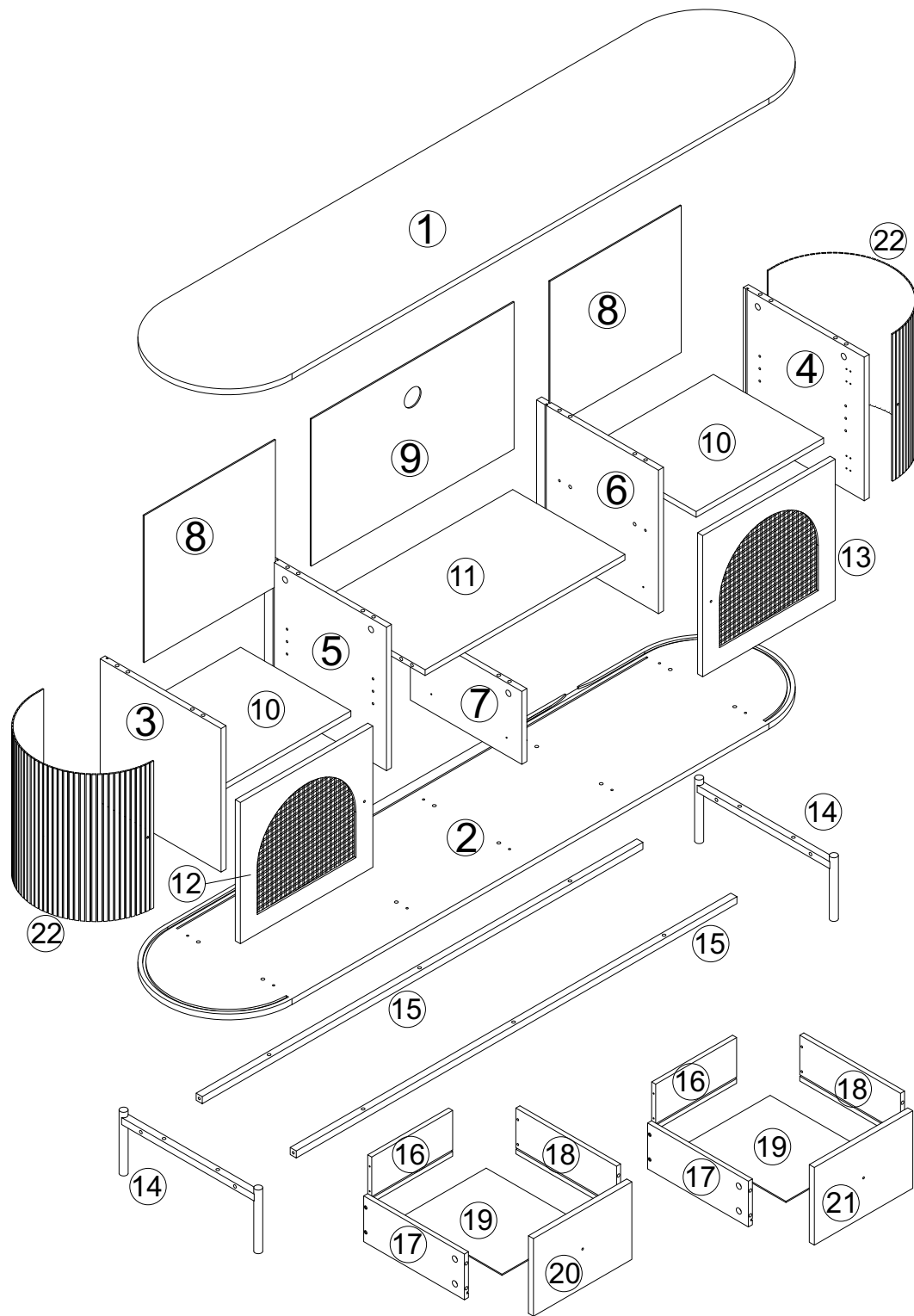
Overtured furniture can cause serious or fatal crush injuries. To prevent tipping over, be sure to use the wall attachment, if not included with this product. Please purchase the wall attachment that fit your wall. If unsure, seek professional advice. Please read and follow each step of the instructions carefully.

### IMPORTANT !

It is important that any product which is assembled using any kind of screw is re-tightened 2 weeks after assembly, and once every 3 months - in order to assure stability through-out the lifespan of the product.

For regular maintenance and cleaning of the product, for the frame, please use a rag dipped in neutral detergent to fully wipe it, and then dry it with a clean rag. For glass materials, wipe with a rag dampened with water glass cleaner, and then dry with a dry rag.

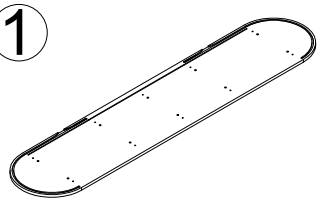
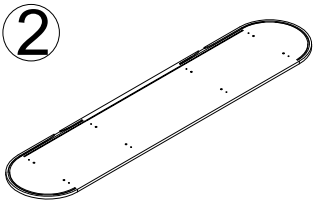
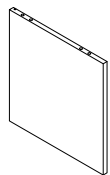
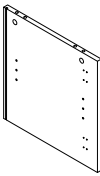
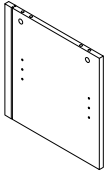
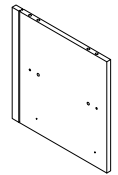
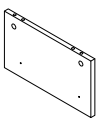
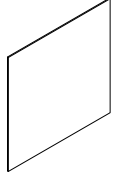
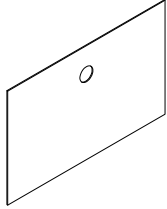
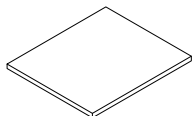
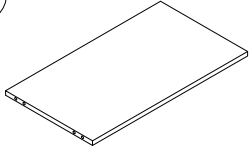
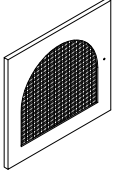
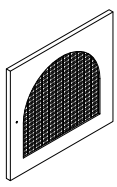
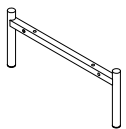
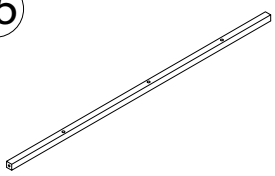
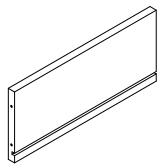
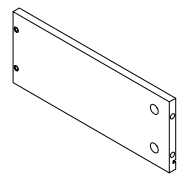
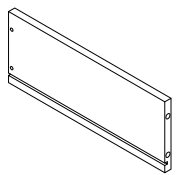
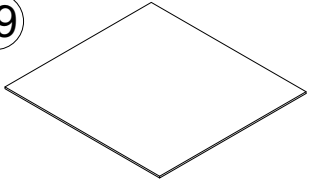
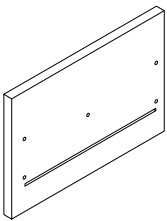
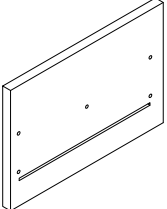
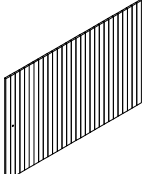
Do not use an electric screwdriver, and do not use too much force when installing, because the board is easy to break.



**Note:**

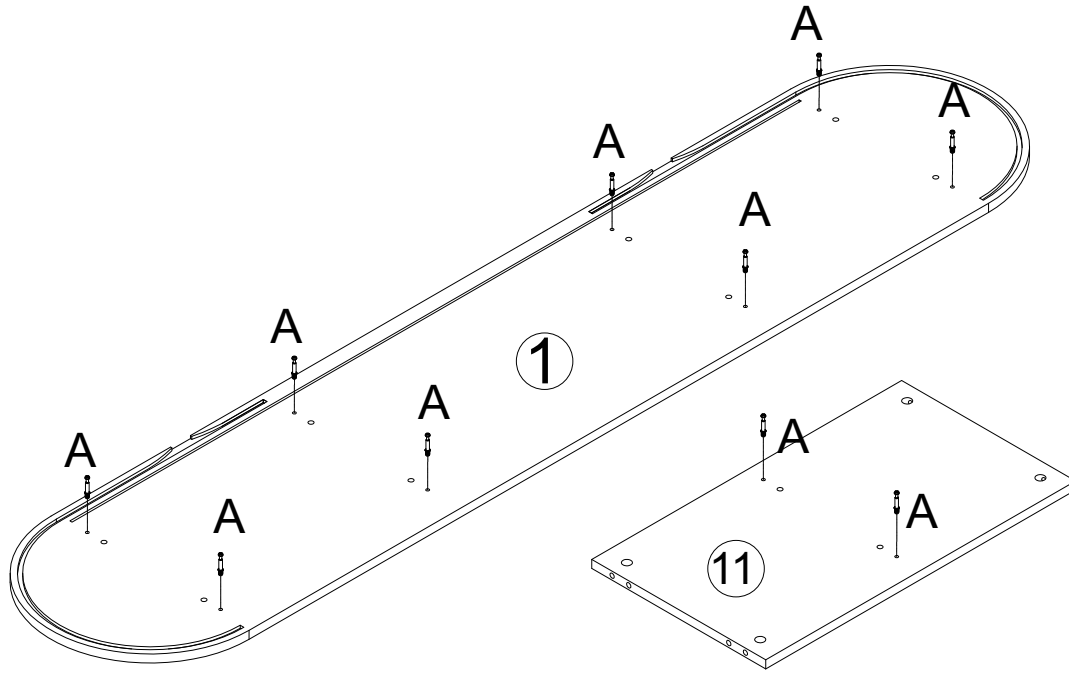
1. 50% Tighten before fixing all screws, Allen wrench is recommended instead of an electric drill.
2. Place the item on a flat ground to adjust and make sure it remains stable.
3. Tighten up all screw with tools gradually .
4. If screw are not aligned with holes during assembly , please loosen all the other screws to 50% and continue the assembly process.
5. If the item is not stable, please loosen all screws, adjust it on a flat ground and tighten up all screws again.
6. Note: If one or some screws are fully tighten during assembly , chances are the others will not be aligned with holes. In addition, all the holes are designed to be relatively larger to provide more space for the adjustment of the screws.


# CARTON CONTENT:

			
1PC	1PC	1PC	1PC
			
1PC	1PC	1PC	2PCS
			
1PC	2PCS	1PC	1PC
			
1PC	2PCS	2PCS	2PCS
			
2PCS	2PCS	2PCS	1PC
			
1PC	2PCS		

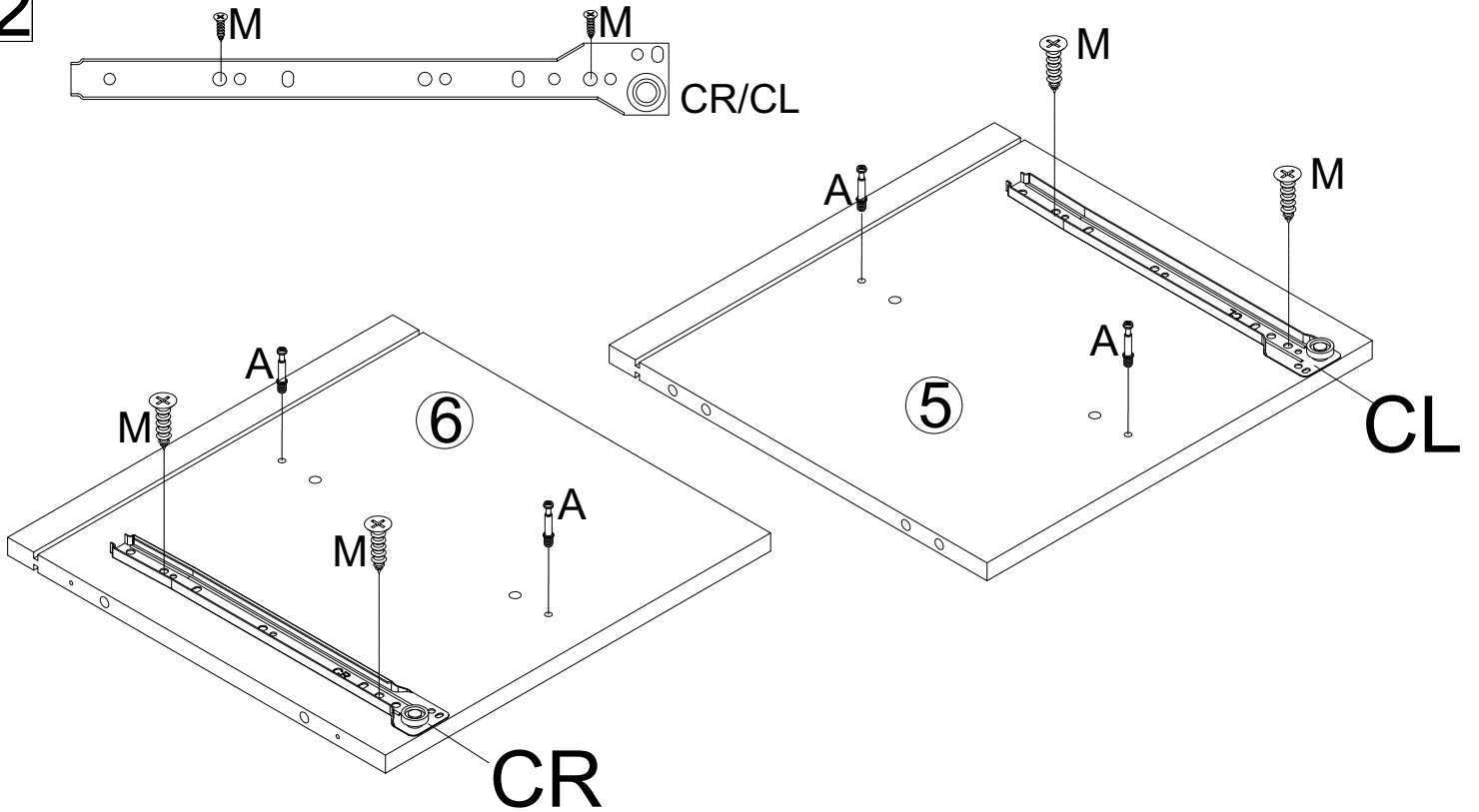


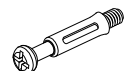
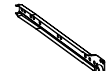


1

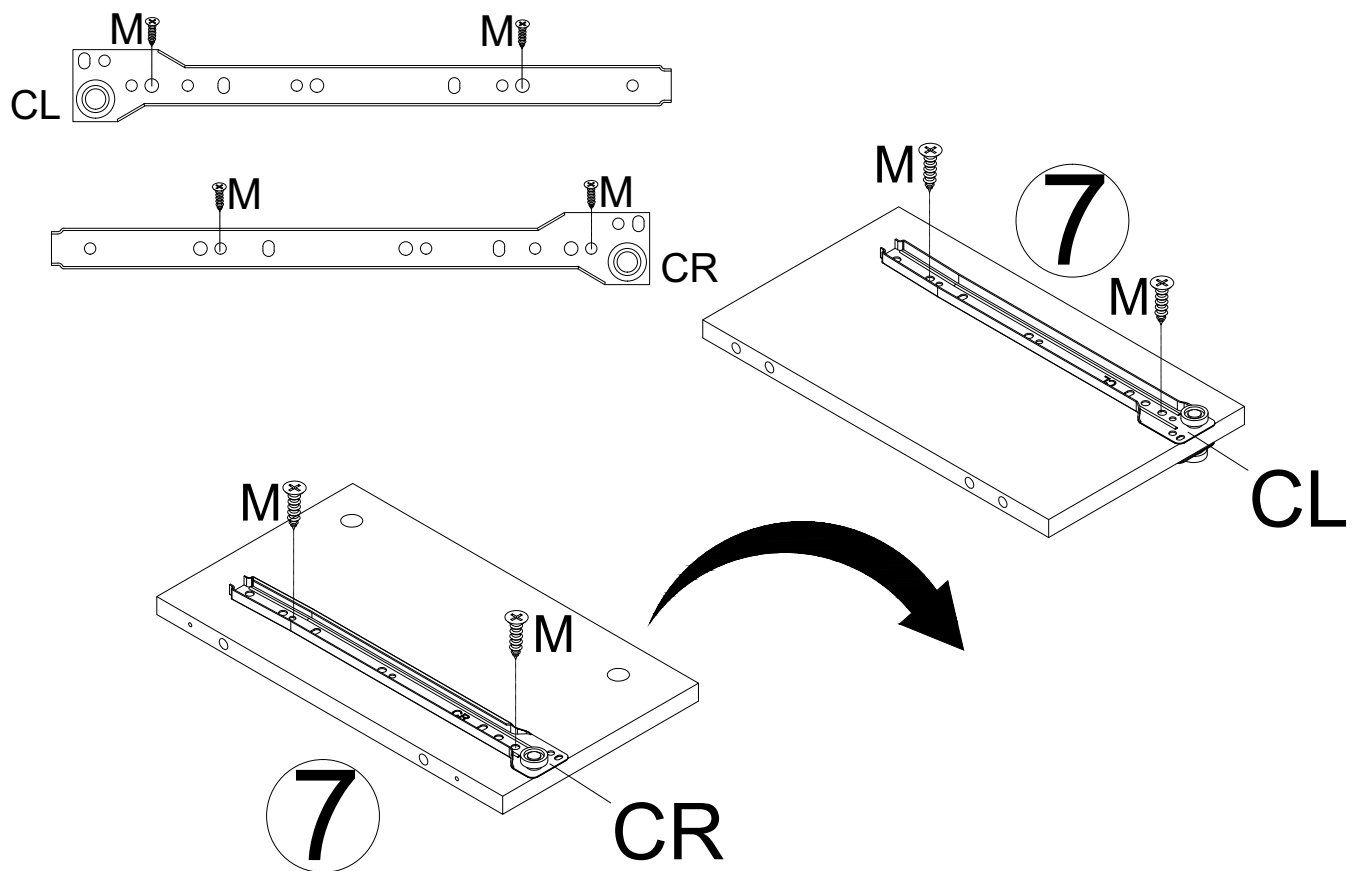


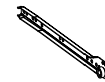
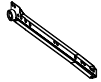

A	x10
	
M6x35mm	

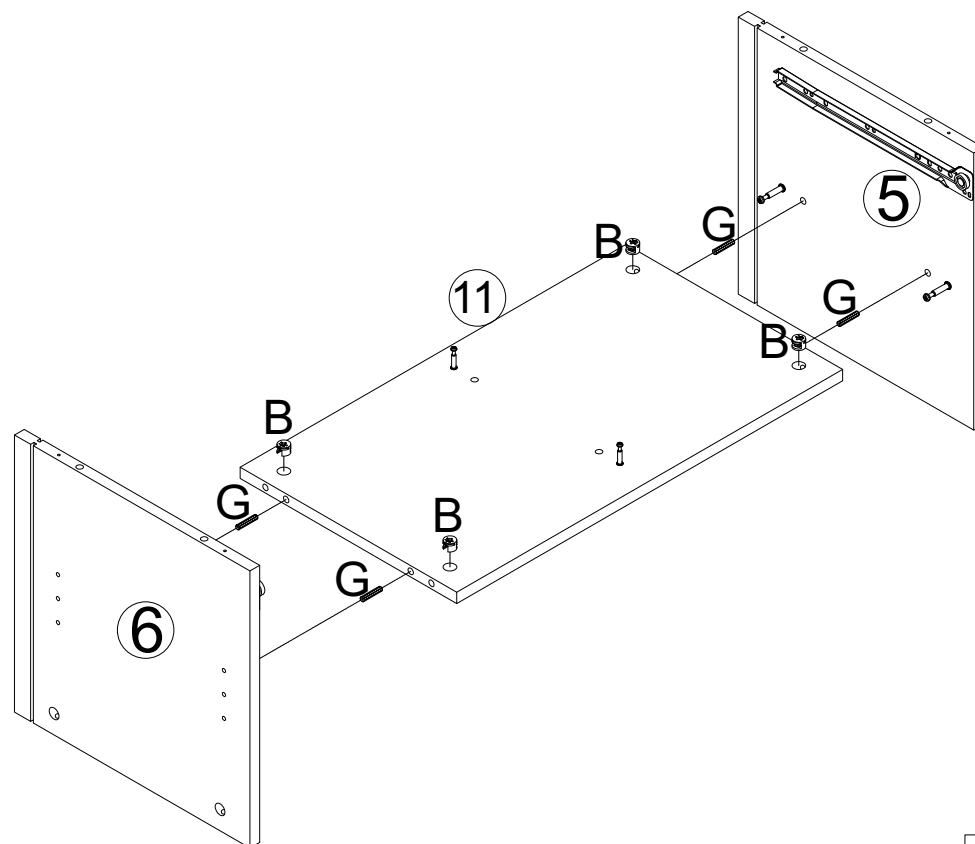
2





A	x4	CR	x1	CL	x1	M	x4
							
M6x35mm						M3.5x14mm	

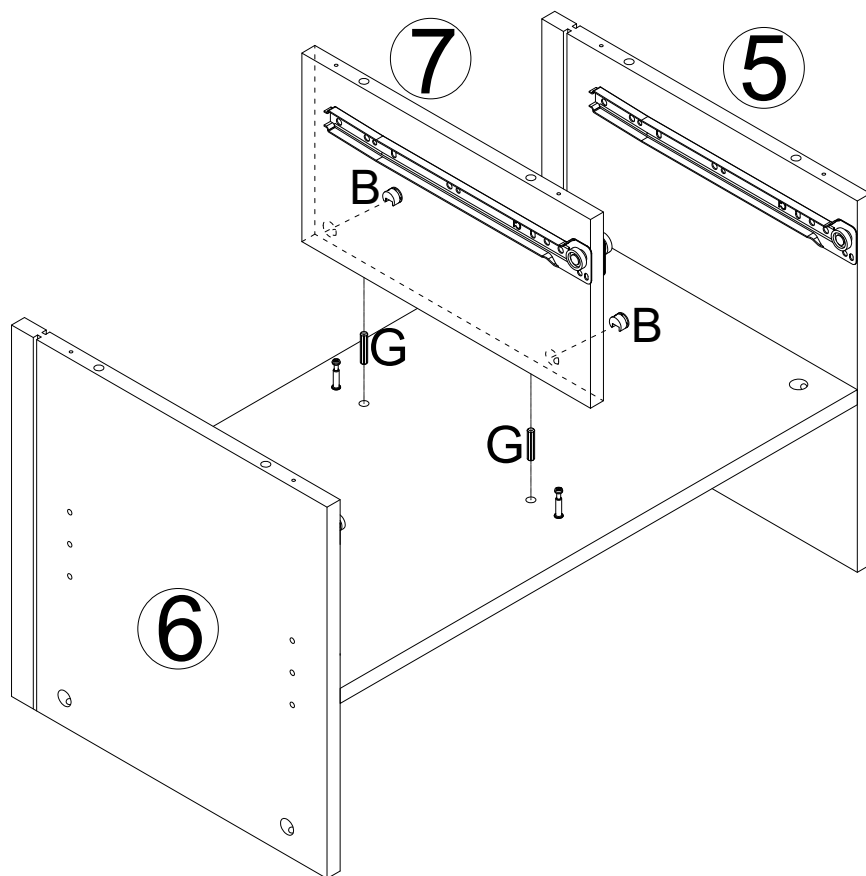
**3**


CR	x1	CL	x1	M	x4
					
				M3.5x14mm	


**4**

G	x4	B	x4
			

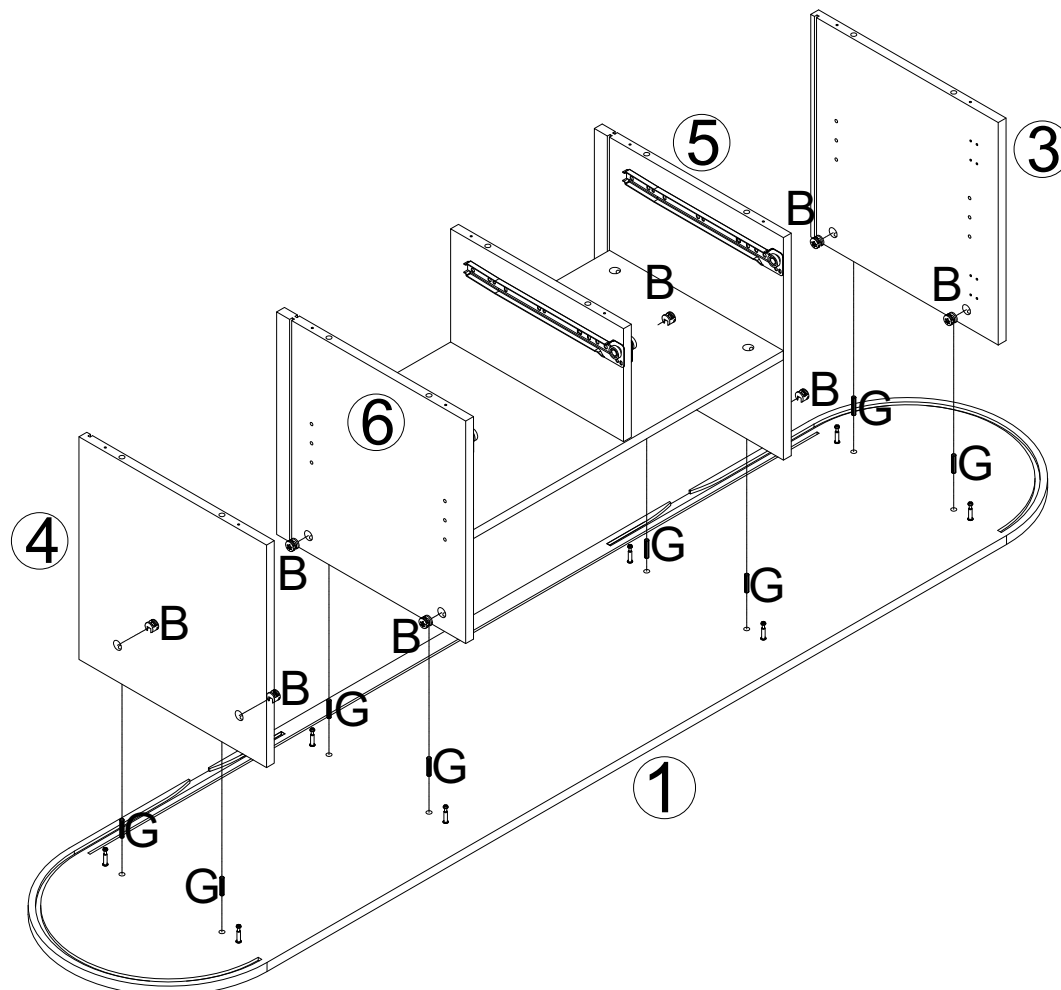
5





G	X2
	

B	X2
	

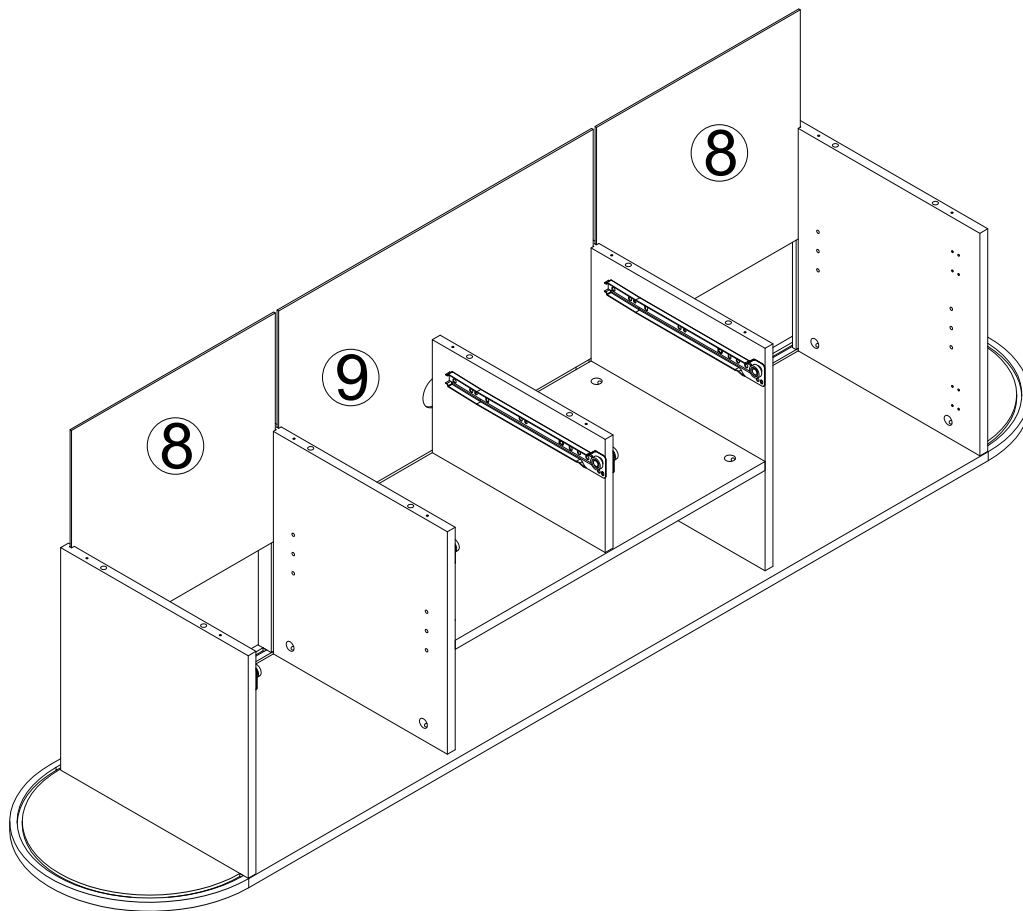
6



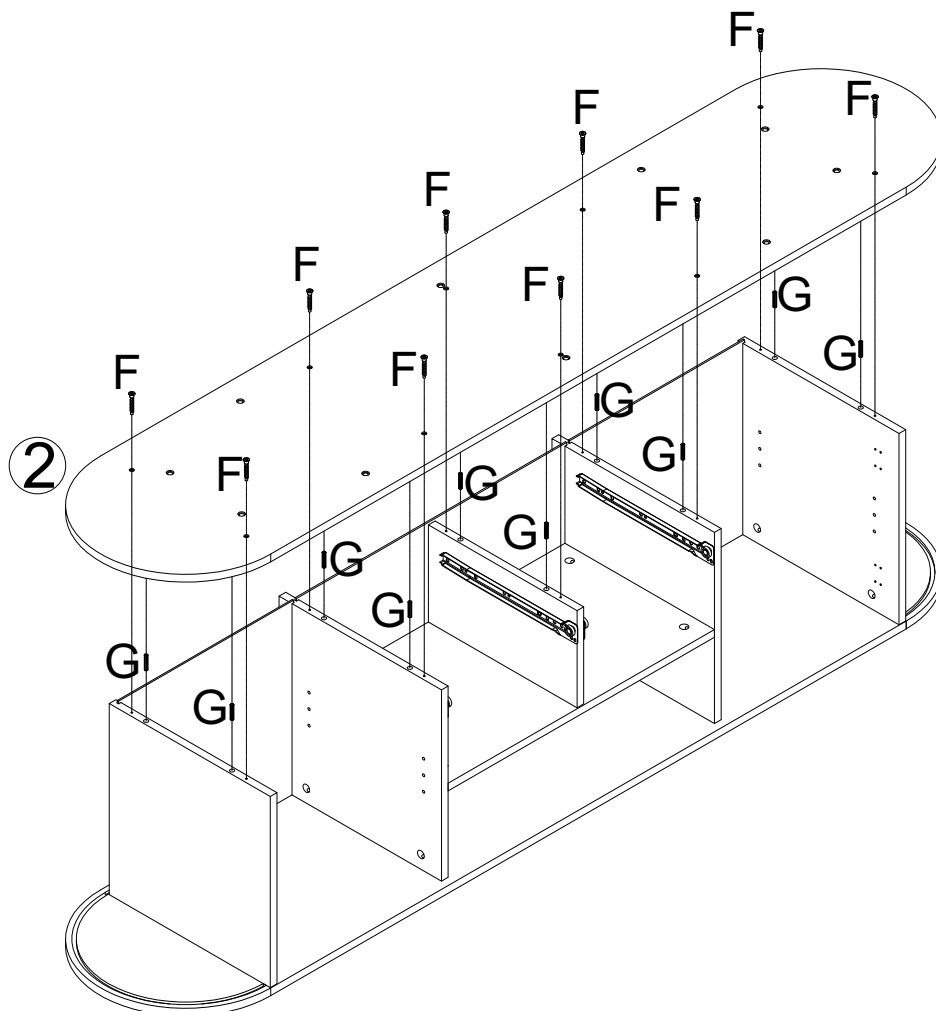
G	X8
	

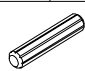
B	X8
	

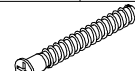
7



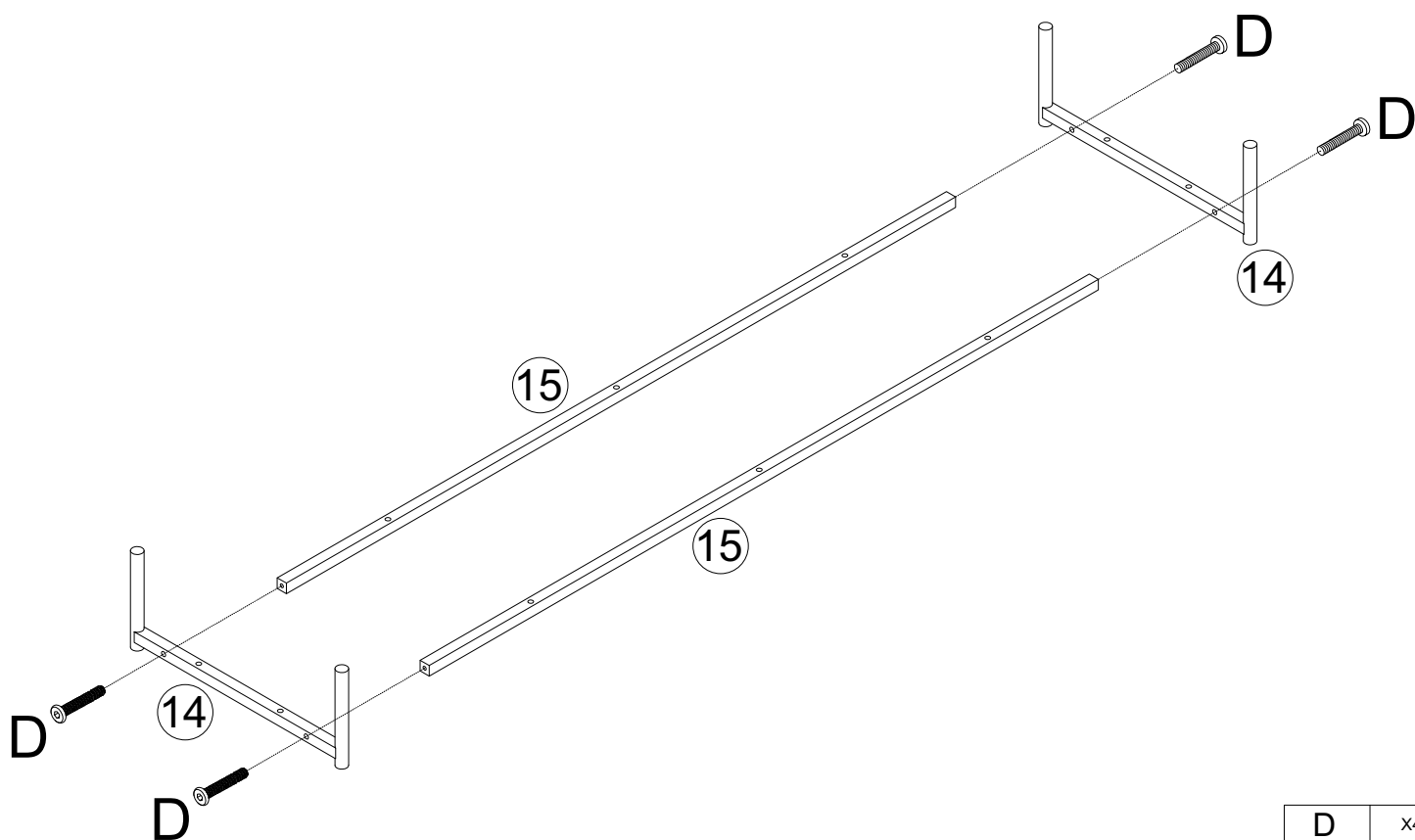
8




G	X10
	

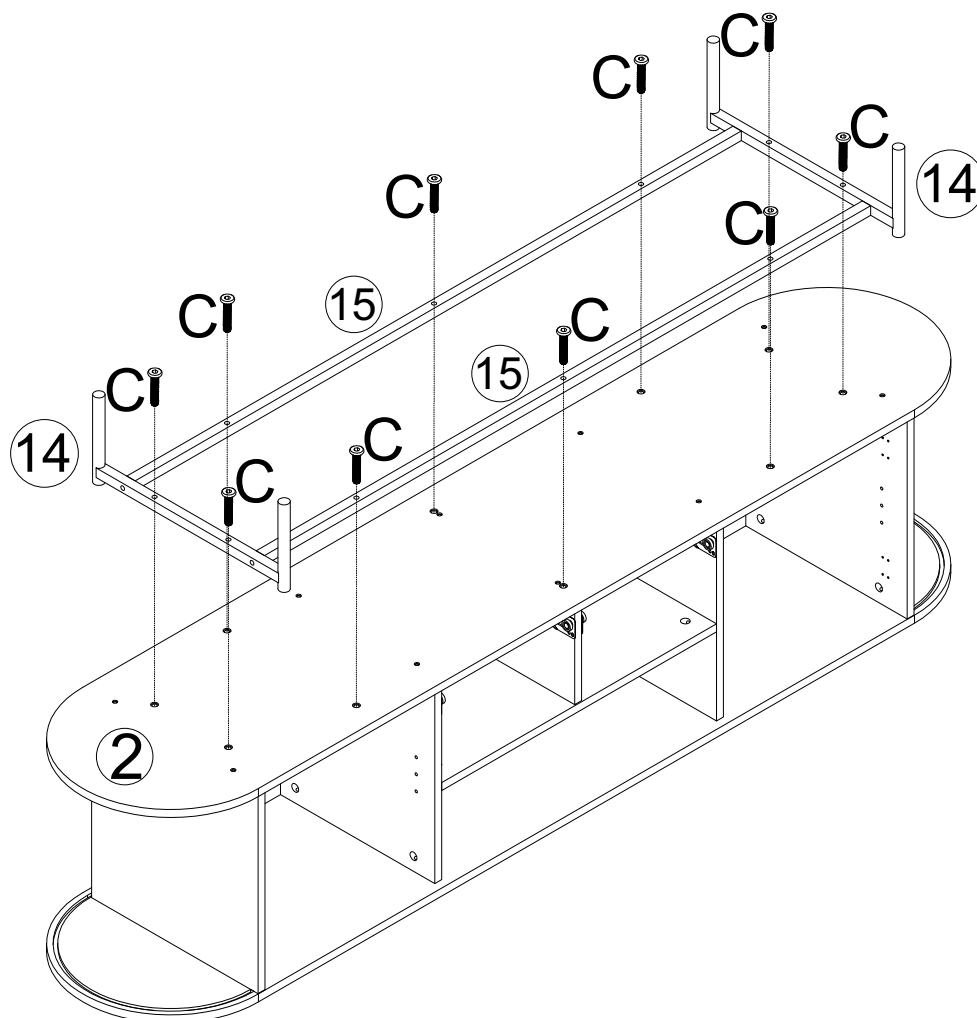
F	X10
	
M5x40mm	


9



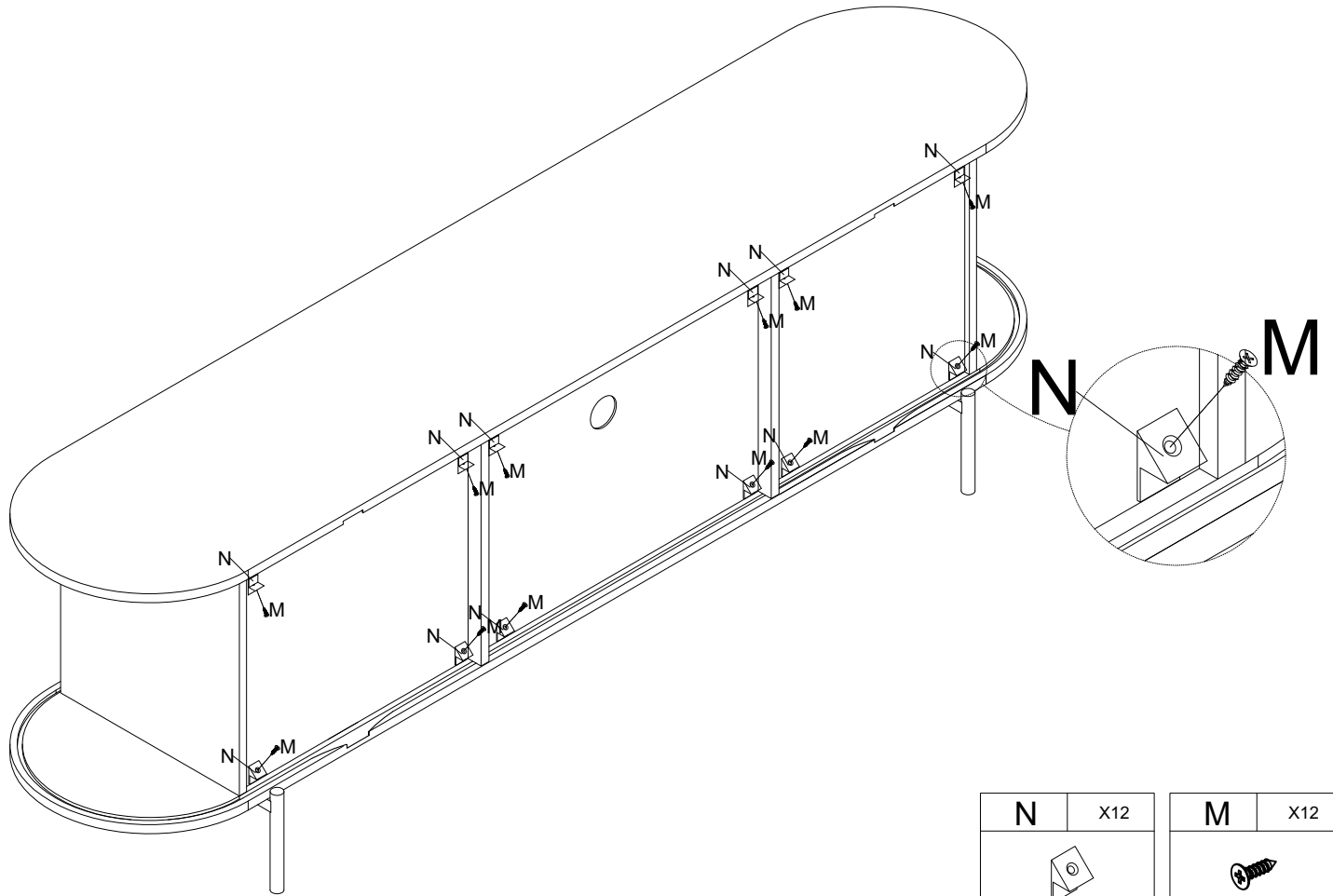
D	X4
	
M6x40mm	



10



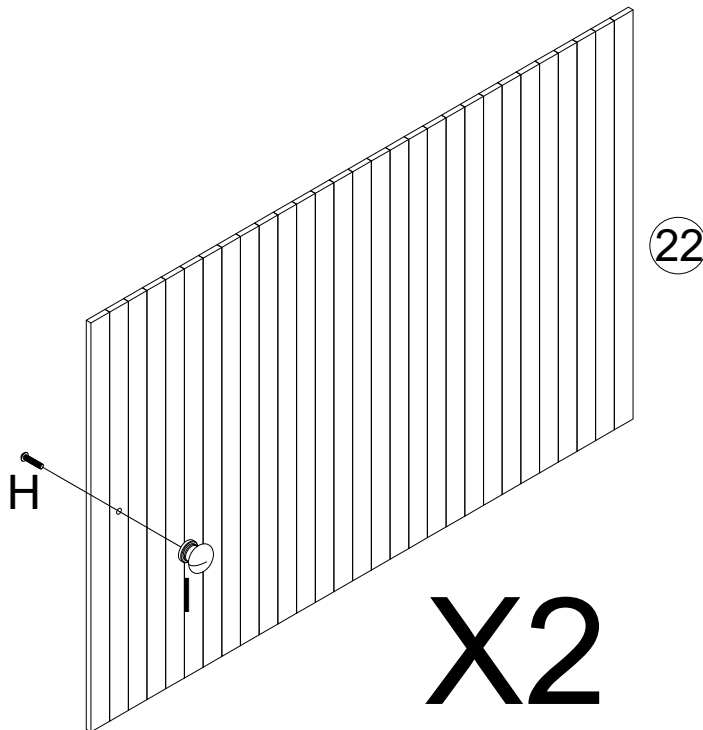
C	X10
	
M6x30mm	


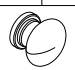
11



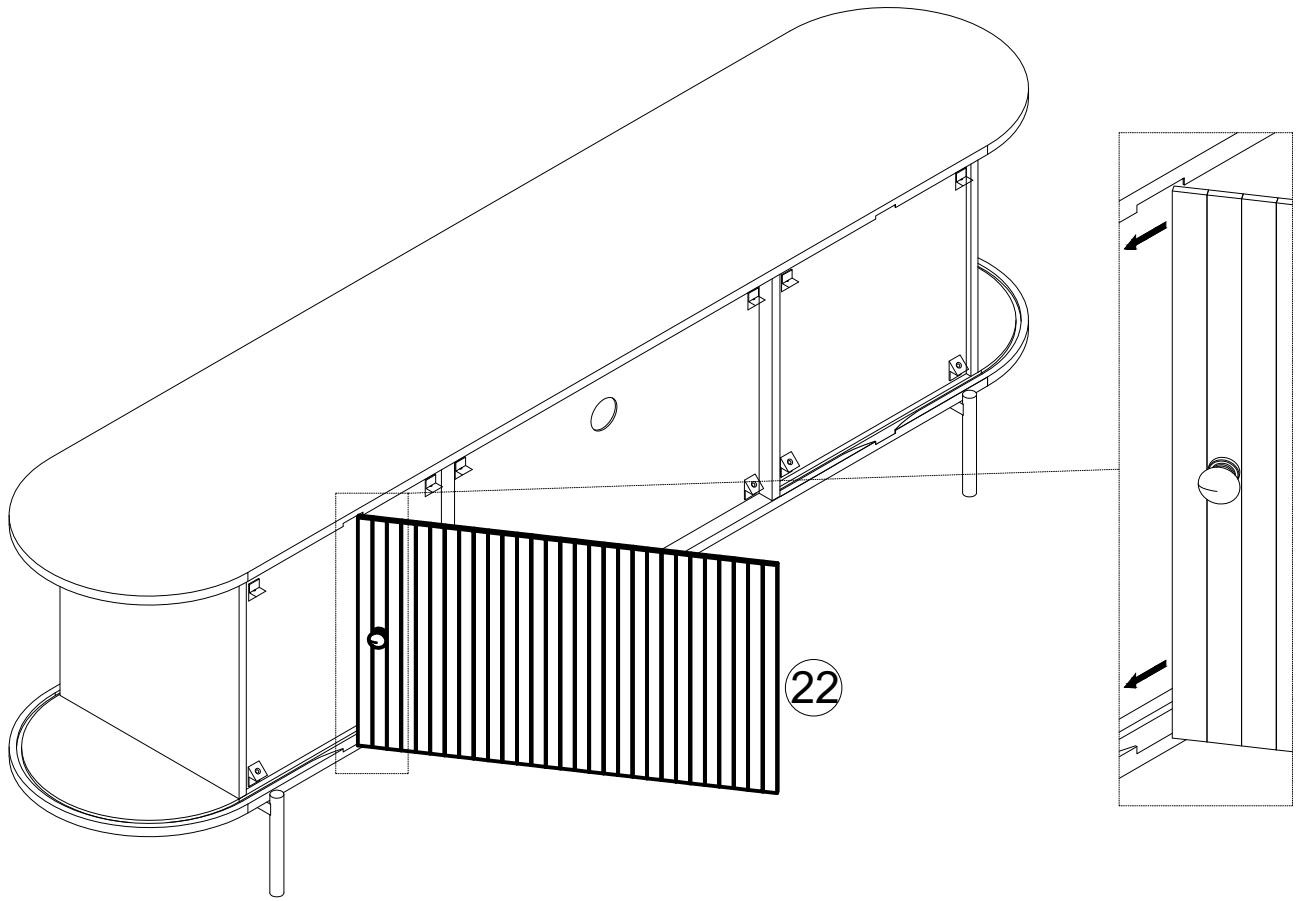
N	X12	M	X12
			
		M3.5x14mm	

12

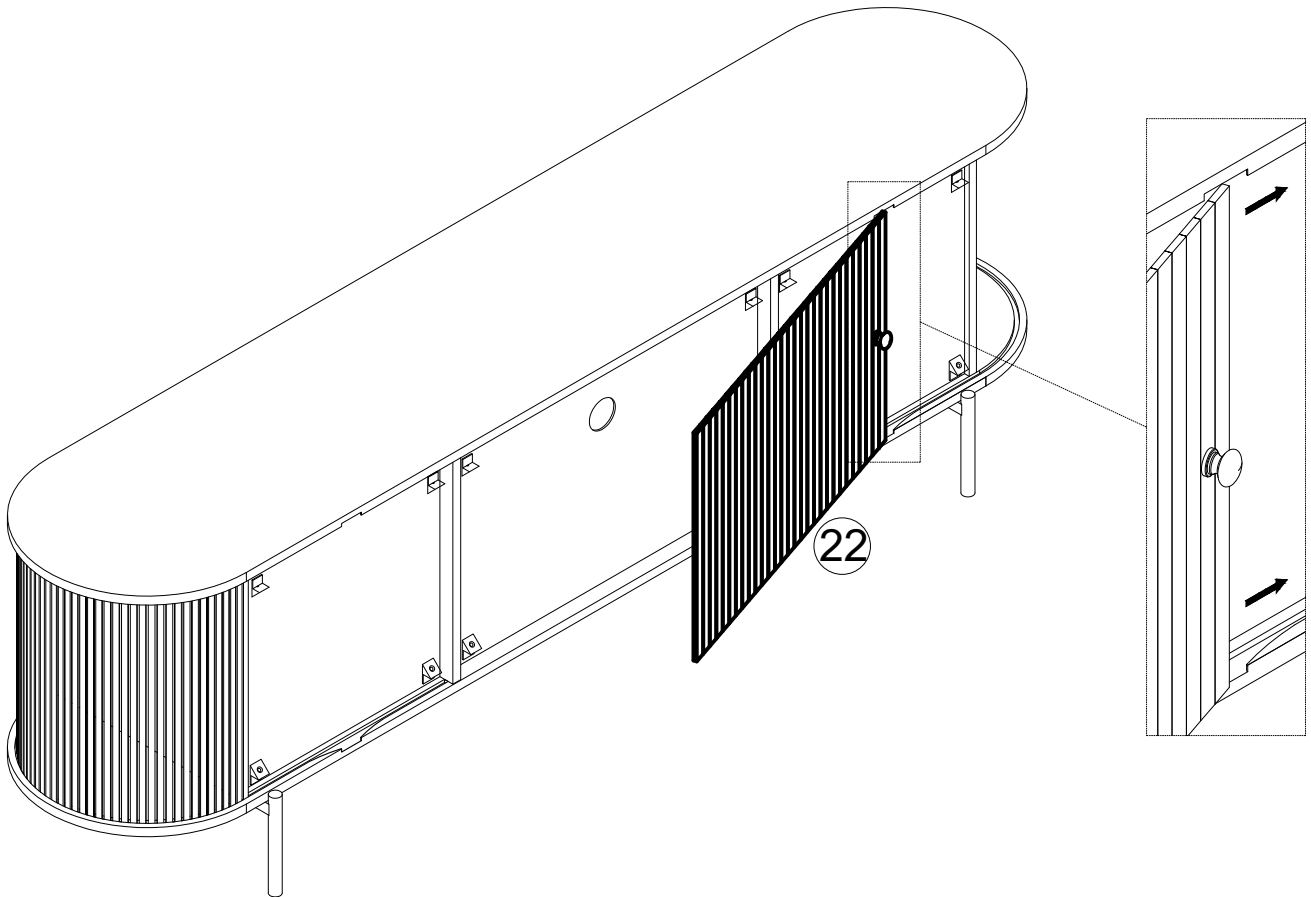


H	X2	I	X2
			
M4x8mm			

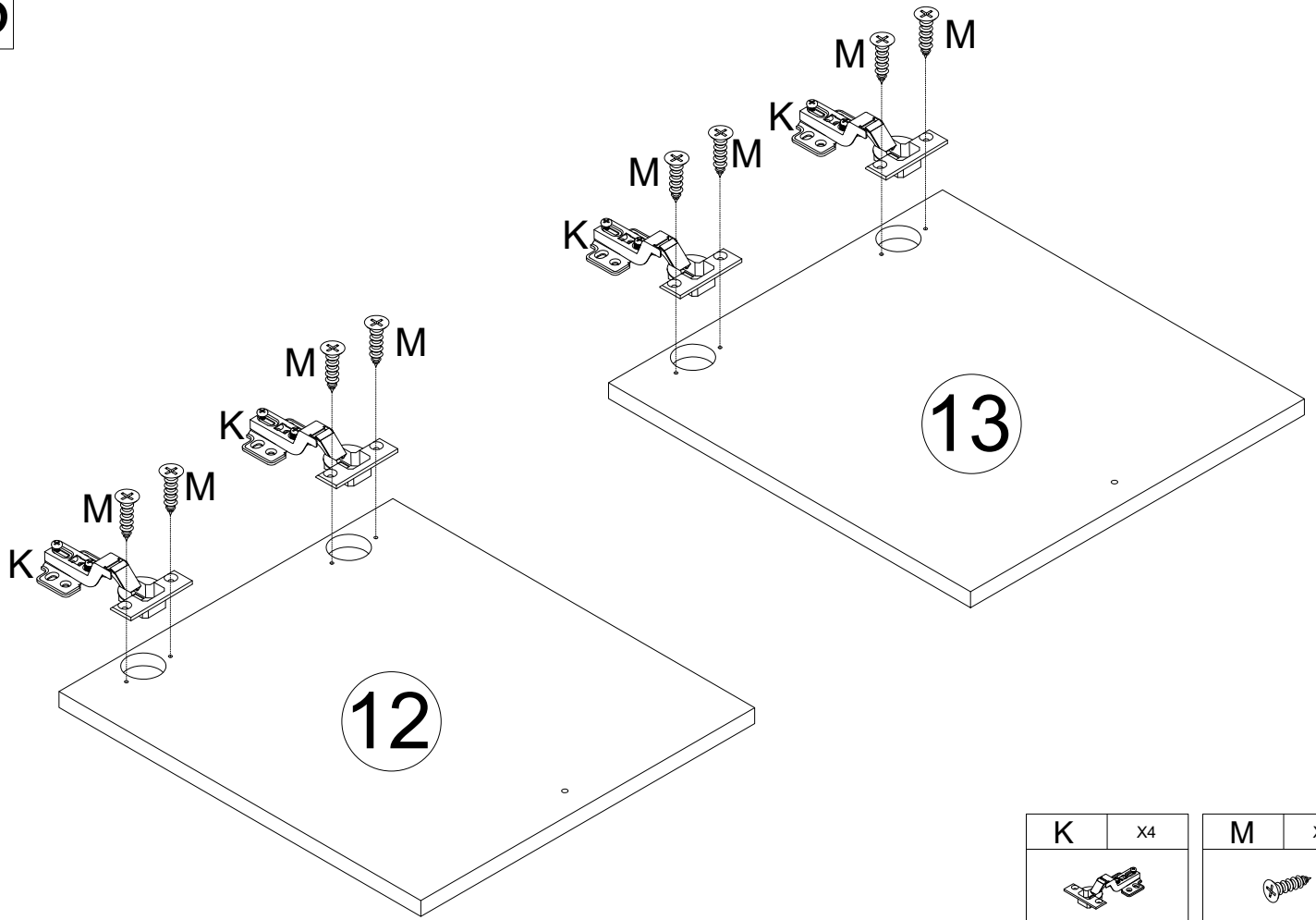
13

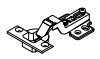



14

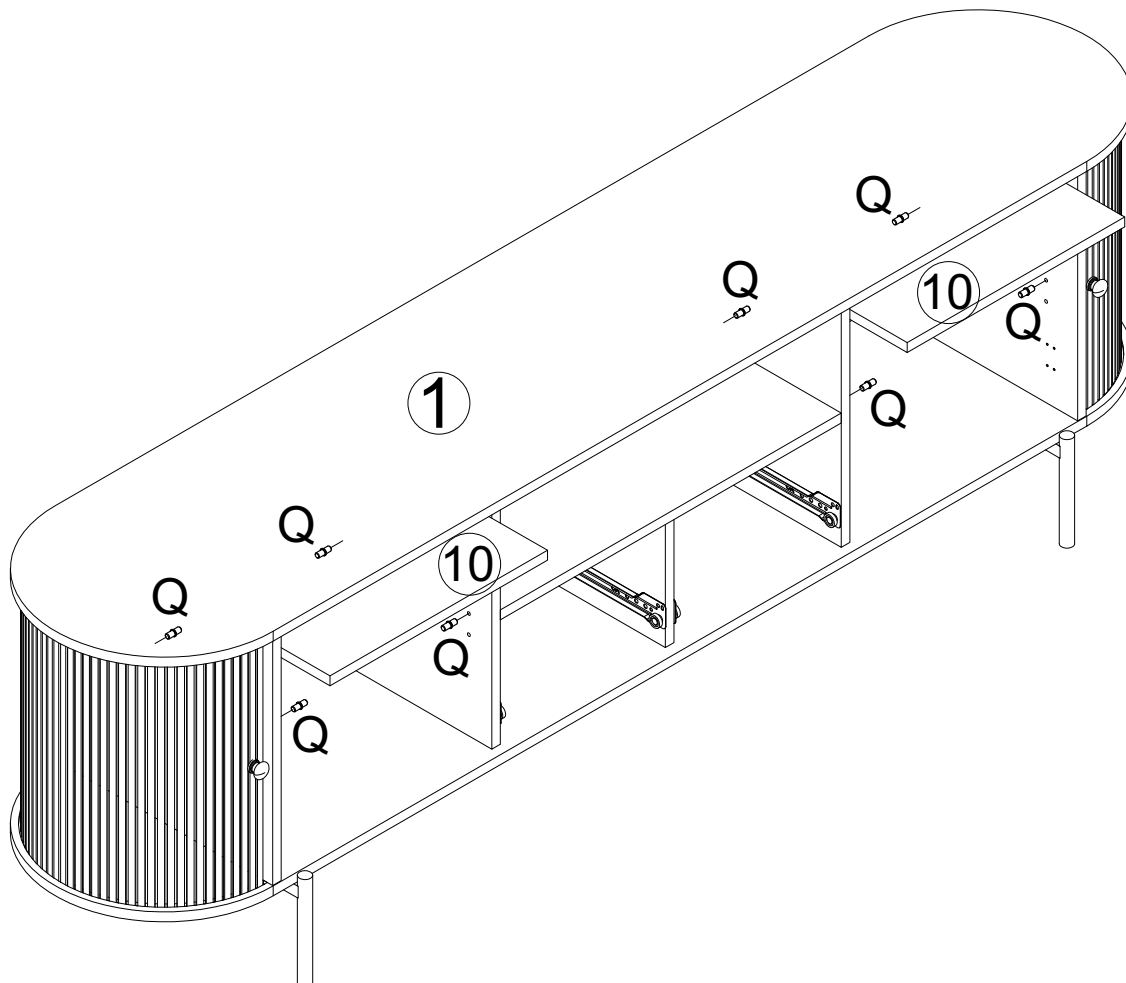



15

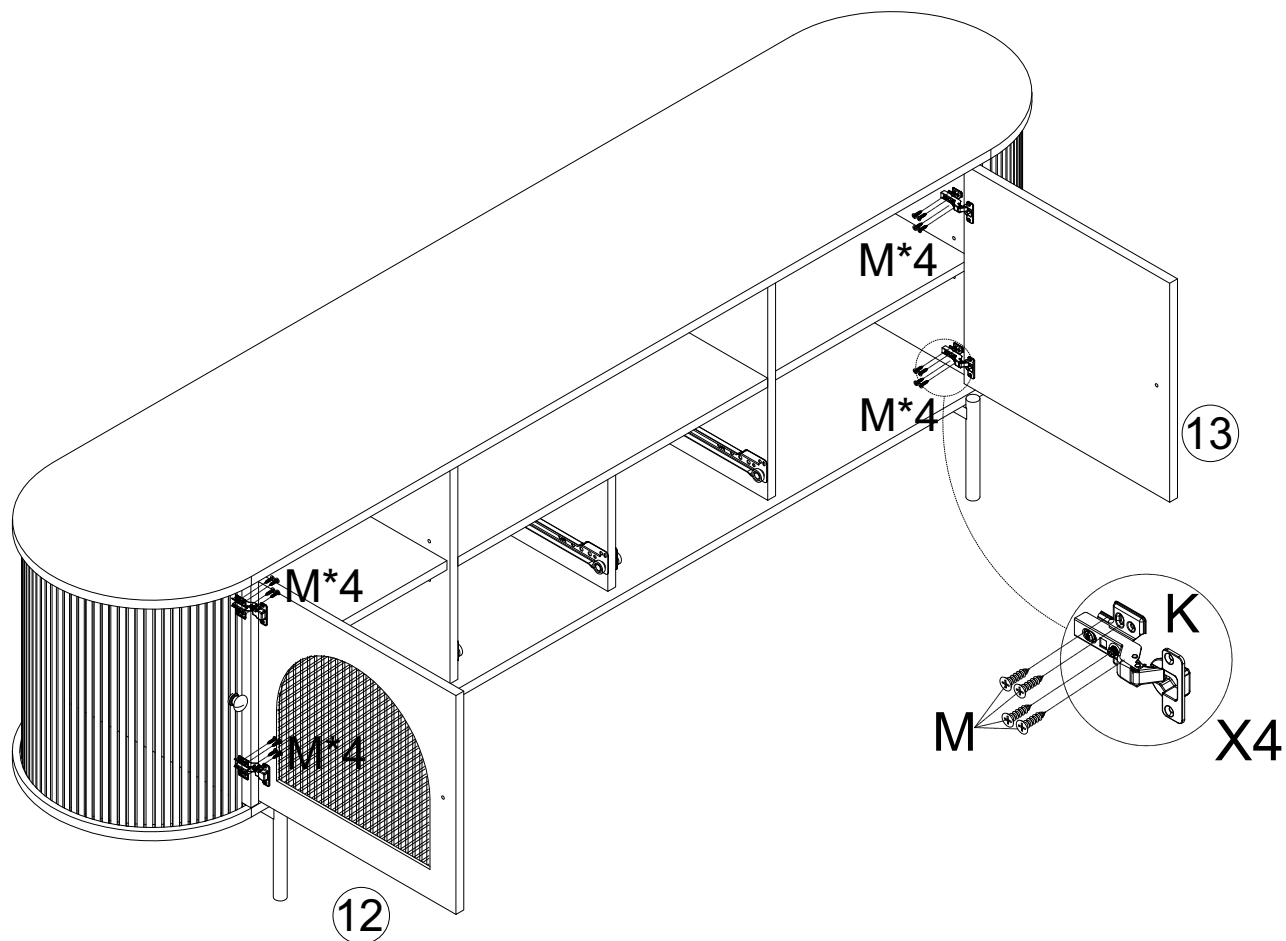


K	x4	M	x8
			
		M3.5x14mm	

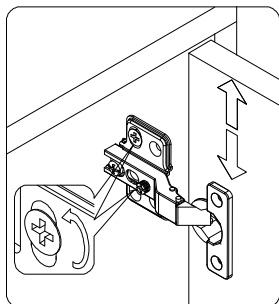
16



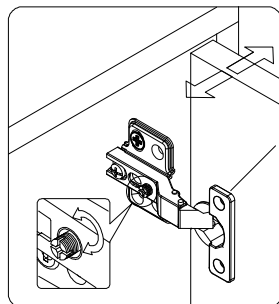
Q	x8
	



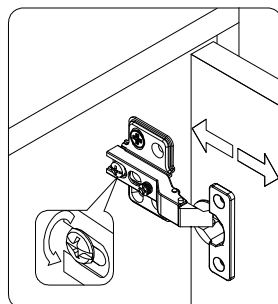
How do I get the two doors to align flat by adjusting the hinges?



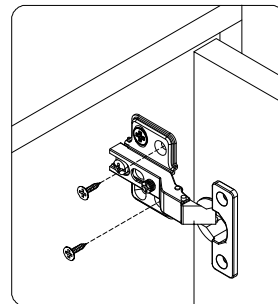
1. Adjust the screws shown in Figure 1 to adjust the door up and down.




2. Adjust the screws shown in Figure 2 and pull the door back and forth so that it can be opened smoothly.



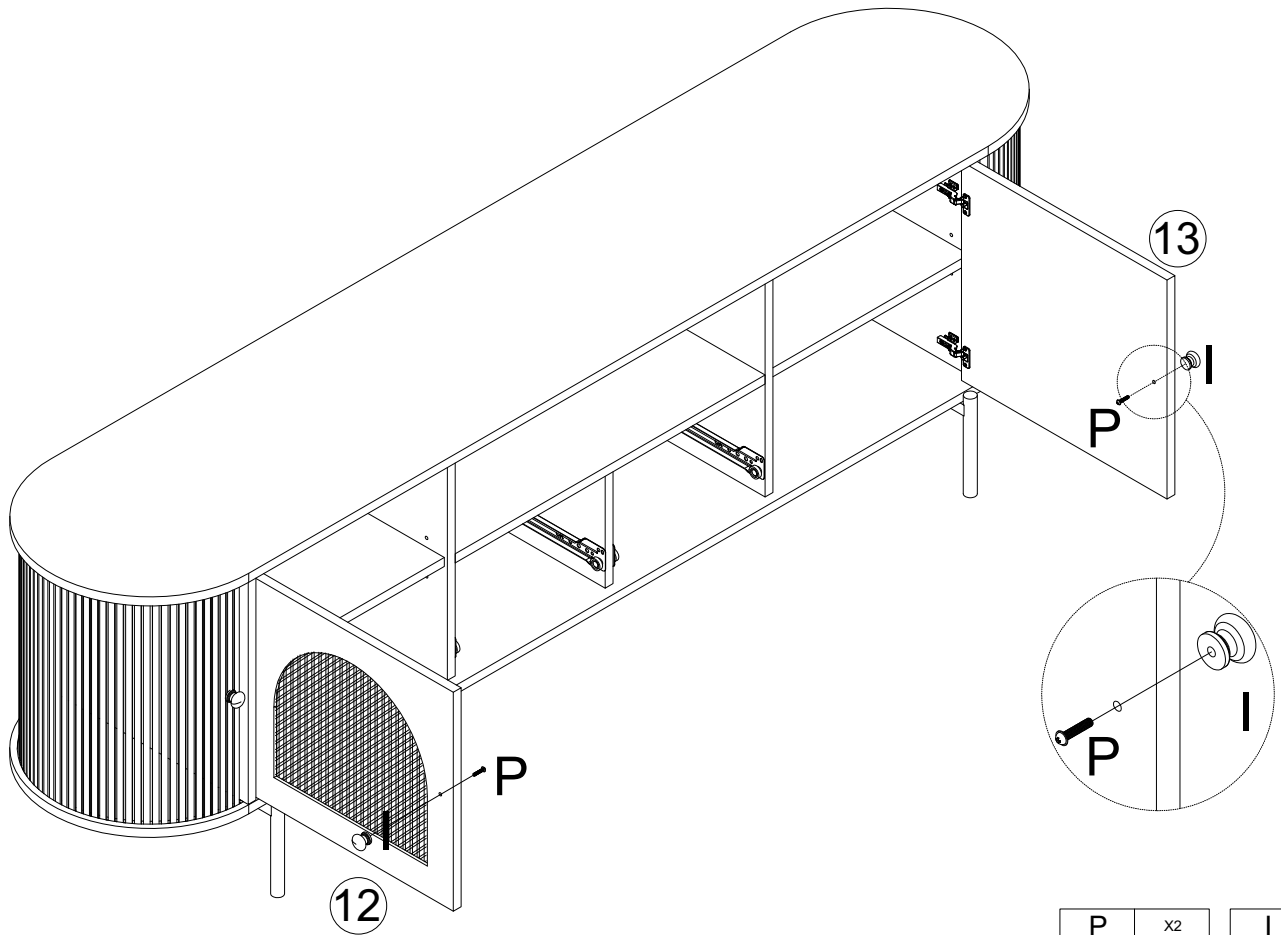
3. Adjust the screws shown in Figure 3 to adjust the door left and right to the right position.





4. After the adjustment is complete, install the remaining two screws to secure the door in place.

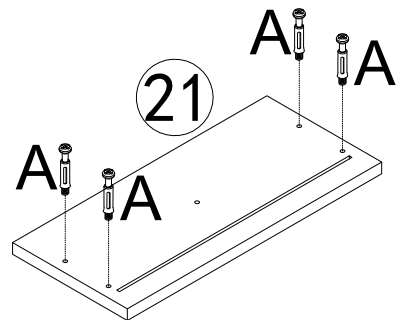
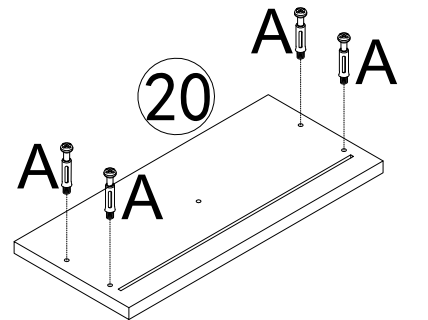
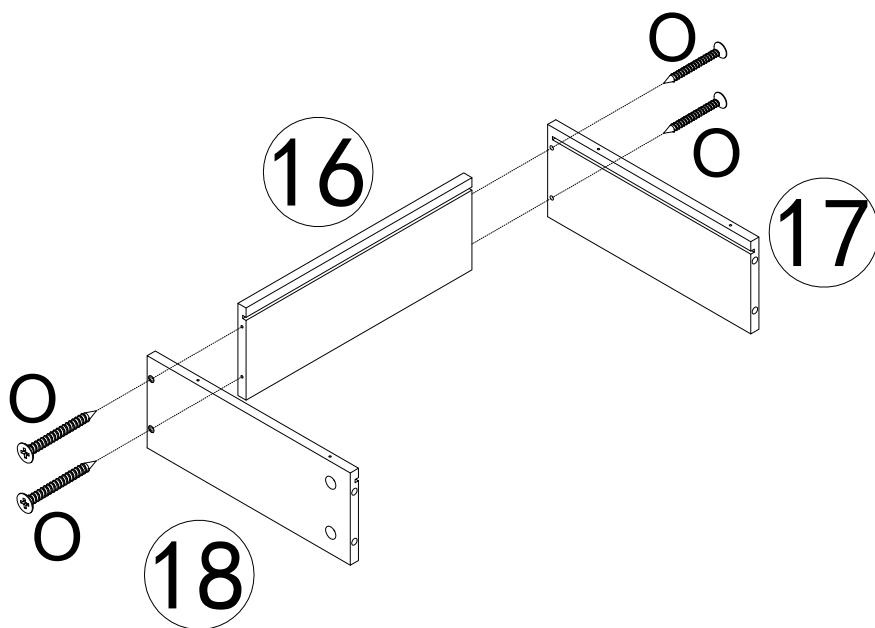
M	X16
	
M3.5x14mm	

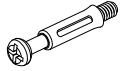

18



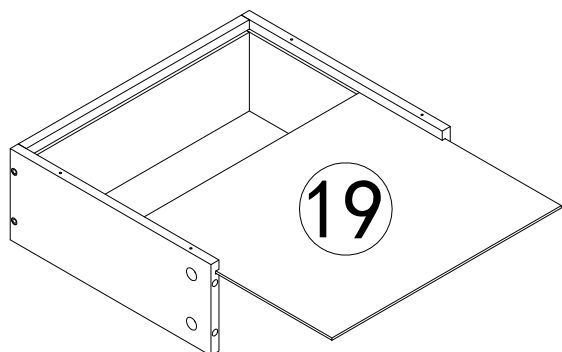
P	x2	I	x2
			
M4x18mm			

19

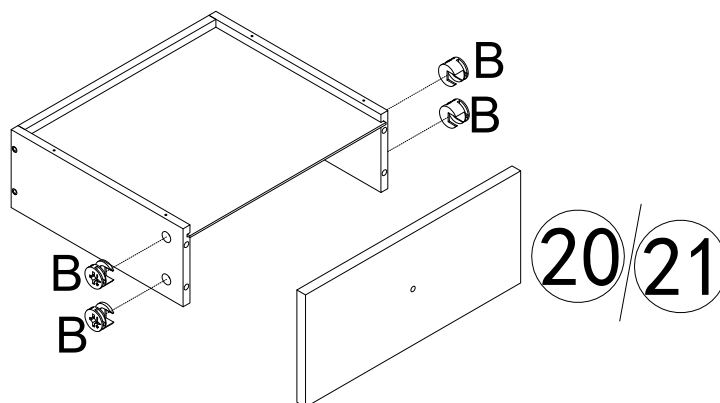


A	x8	O	x8
			
M6x35mm		M4x35mm	

20



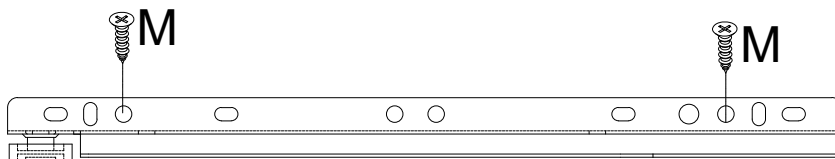
X2



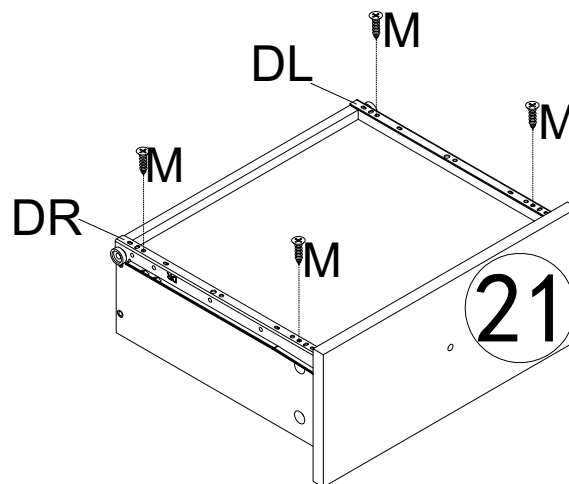
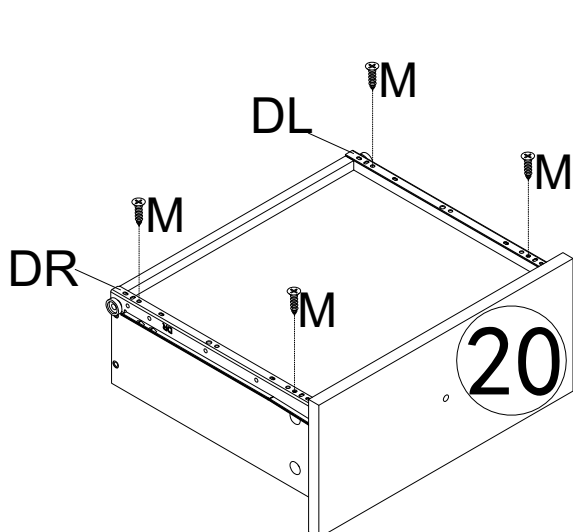
X2

B	X8

21

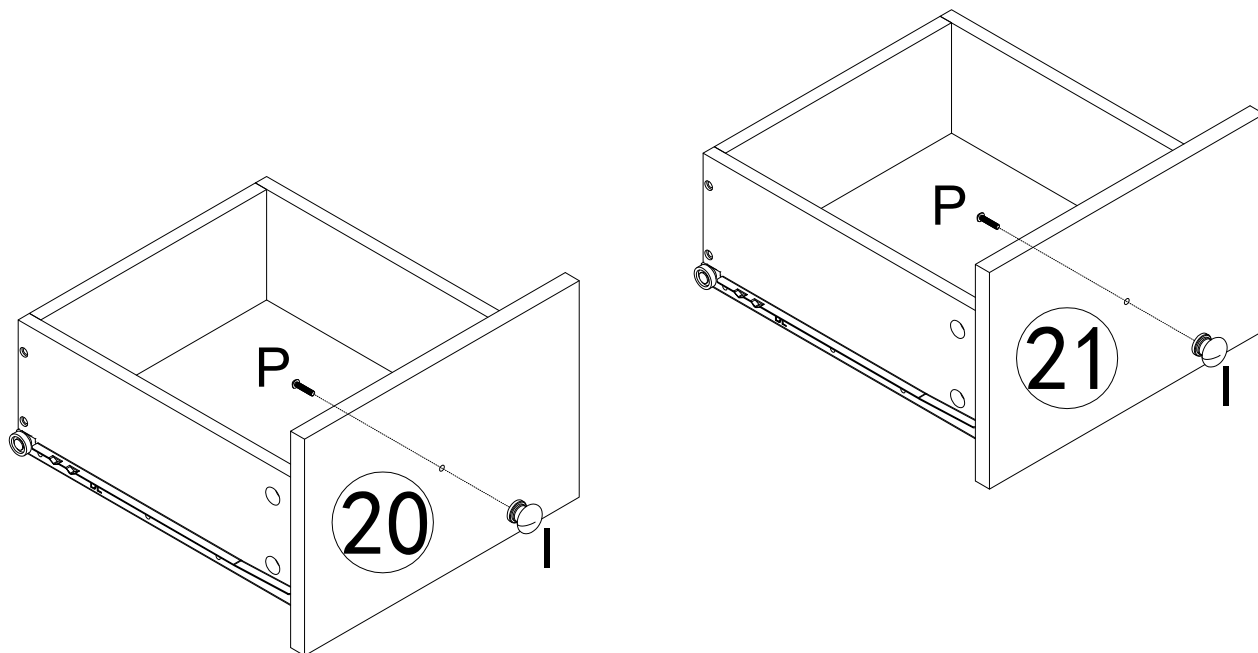




DL/DR



DL	X2	DR	X2	M	X8
M3.5x14mm					

22



P	x2	I	x2
			
M4x18mm			

23

