

Style™ SELECTIONS

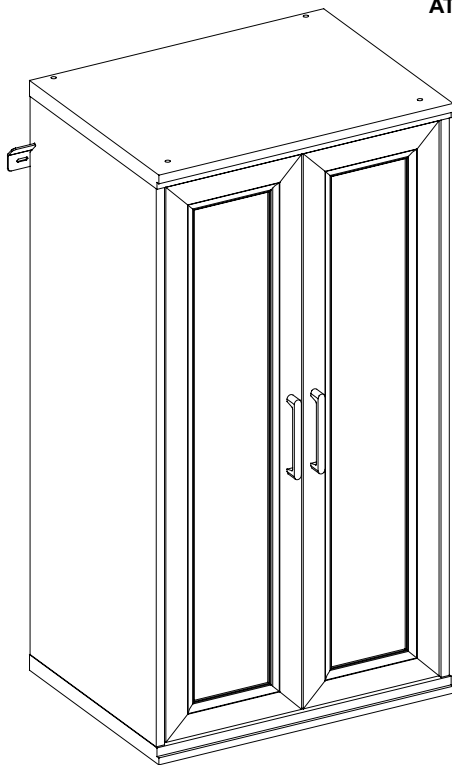
STYLE SELECTIONS and logo design are trademarks or registered trademarks of LF, LLC. All rights reserved.

ITEM #7134500
MODEL #LOWECABWH-02

21-IN CABINET WITH INTERCHANGEABLE WOOD OR GLASS DOORS

Español p. 25

ATTACH YOUR RECEIPT HERE



Serial Number _____

Purchase Date _____

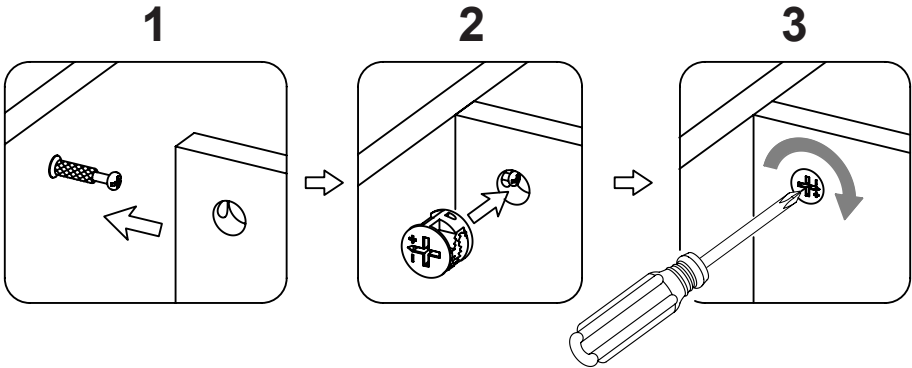
Thank you for purchasing this **STYLE SELECTIONS** product.
Questions, problems or missing parts?
Before returning, contact us on:
877-888-8225, 8 a.m. - 8 p.m., EST, Monday - Sunday or ascs@lowes.com.

DF25462

TABLE OF CONTENTS

Cam Lock System Operation.....	3
Package Contents.....	4
Hardware Contents.....	5
Safety Information.....	6
Preparation.....	6
Assembly Instructions.....	7
Care and Maintenance	22
One-Year Limited Warranty.....	22
Replacement Parts List.....	22

CAM LOCK SYSTEM OPERATION

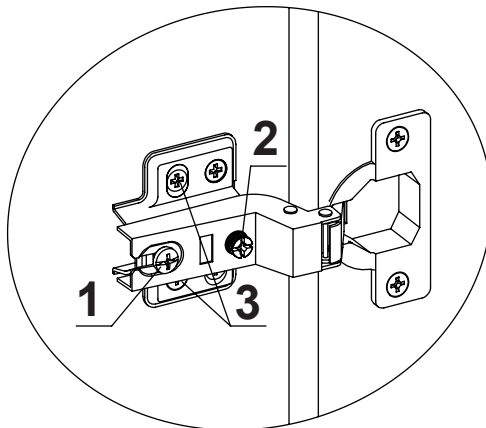


1. Screw cam bolts into the predrilled small holes on panel.
2. Insert cam lock into predrilled large hole on panel.
3. Make sure the arrow on the cam lock is pointed toward the cam bolts.
4. Connect both panels together, making sure cam bolts goes into predrilled hole on the end of panel with cam lock.
5. Once cam bolts is connected inside cam lock, take Phillips screwdriver and tighten cam lock clockwise.

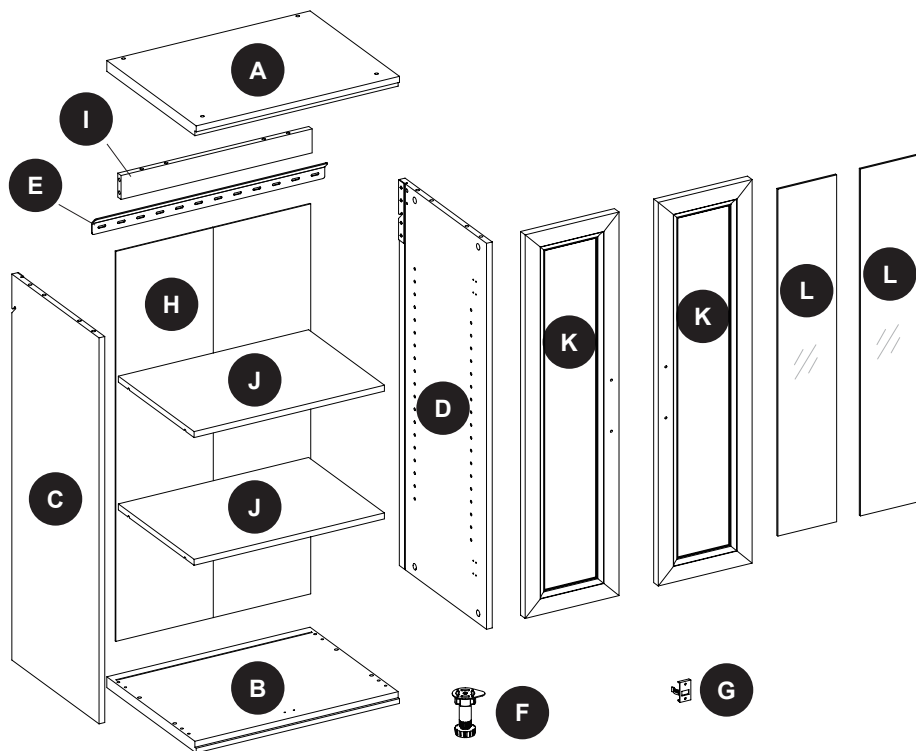
HOW TO ADJUST THE EUROPEAN ADJUSTABLE HINGES ON DOORS

Shipping may cause doors to go out of alignment. If you find that the doors need to be adjusted slightly, turn the appropriate screw, as illustrated.

1. TO ADJUST DOOR FORWARD OR BACKWARD.
2. TO ADJUST DOOR TO RIGHT OR TO LEFT.
3. TO ADJUST DOOR UP OR DOWN.



PACKAGE CONTENTS

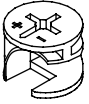


PART	DESCRIPTION	QUANTITY
A	Top panel	1
B	Bottom panel	1
C	Side panel left	1
D	Side panel right	1
E	Metal bracket	1
F	Adjustable feet	2

PART	DESCRIPTION	QUANTITY
G	Clasp	2
H	Back panel	1
I	Stretcher	1
J	Adjustable shelf	2
K	Door panel	2
L	Door glass insert	2

HARDWARE CONTENTS (not shown actual size)

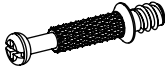
AA



Cam lock

Qty. 12

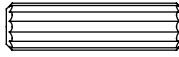
BB



Cam bolt

Qty. 12

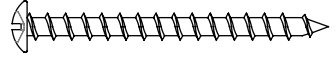
CC



Wood dowel

Qty. 12

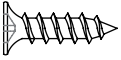
DD



M4 x 50 mm Screw

Qty. 4

EE



M3.5 x 12 mm
Screw
Qty. 12

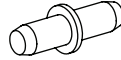
FF



Cap

Qty. 4

GG



Shelf pin

Qty. 8

HH



PVC Cover

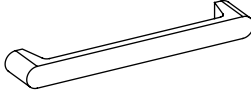
Qty. 8

II



5/32 in. x 25 mm
Bolt
Qty. 4

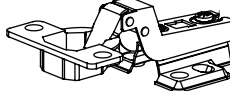
JJ



Handle

Qty. 2

KK



Door hinge

Qty. 4

LL



M4 x 12 mm
Screw
Qty. 28

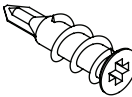
MM



Door stopper

Qty. 2

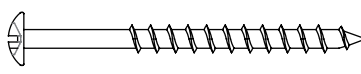
NN



Drywall anchor

Qty. 1

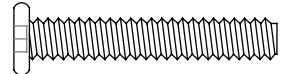
OO



M5 x 55 mm Screw

Qty. 3

PP



1/4 in. x 38 mm Bolt

Qty. 4

QQ



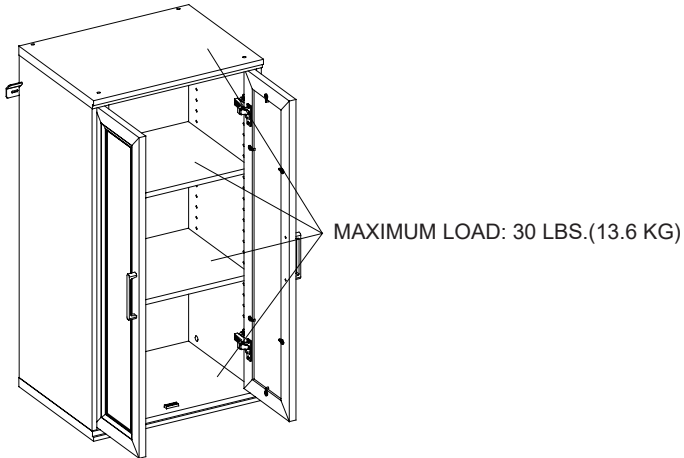
Hex wrench

Qty. 1

▲ SAFETY INFORMATION

Please read and understand this entire manual before attempting to assemble, operate or install the product.

- Do not allow children to climb or play in or around this product.
- Use this unit for its intended purpose only. Do not use shelves as step ladder.
- To avoid damage, assemble the product on a sturdy, level and protective surface.
- Make sure all bolts/screws are tightly fastened before the unit is used.
- Check bolts/screws periodically and tighten them if necessary.



▲ WARNING

UNIT IS INTENDED FOR USE ONLY WITH MAXIMUM WEIGHTS INDICATED. OVERLOADING STORAGE UNIT WITH PRODUCTS HEAVIER THAN MAXIMUM WEIGHT MAY RESULT IN INJURY. DISTRIBUTE ANY WEIGHT IN UNITS EVENLY.

PREPARATION

Before beginning assembly of product, make sure all parts are present. Compare parts with package contents list and hardware contents list. If any part is missing or damaged, do not attempt to assemble the product.




Estimated Assembly Time: 50 minutes

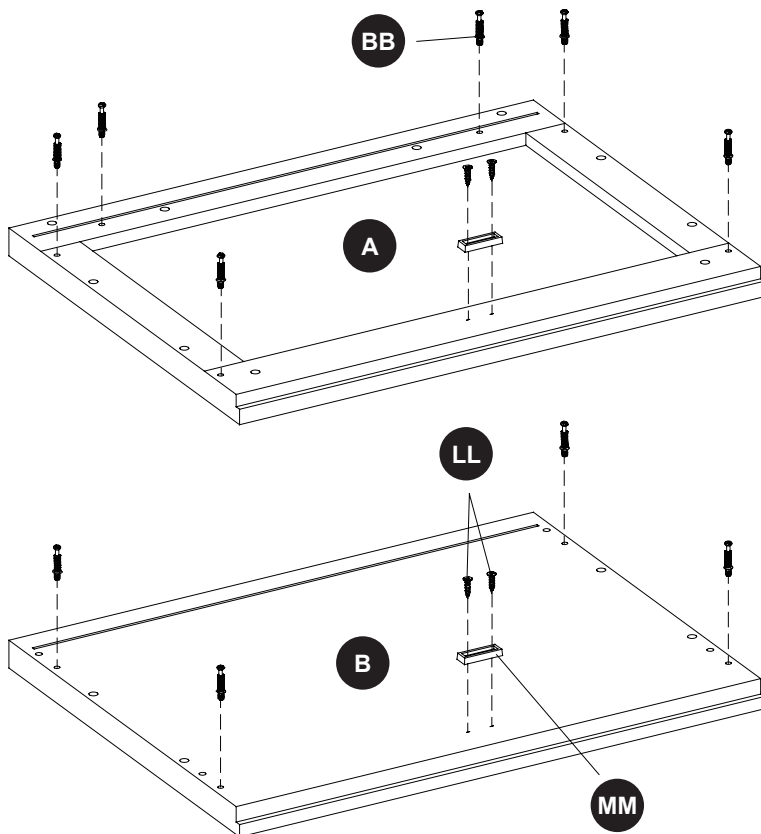
Tools Required for Assembly (not included): Phillips Screwdriver, Power Drill, 5/16 in. Drill Bit, 3/32 in. Drill Bit, Level, Stud Finder, Marking Pencil, Tape Measure, Step Ladder, and Rubber Mallet

ASSEMBLY INSTRUCTIONS

- 1a. Attach door stoppers (MM) to top panel (A) and bottom panel (B) using M4 x 12 mm screws (LL).
- 1b. Screw cam bolts (BB) all the way into the pre-drilled small holes on top panel (A) and bottom panel (B) as shown figure.

Hardware Used




- BB** Cam bolt  x 10
- LL** M4 x 12 mm Screw  x 4
- MM** Door stopper  x 2

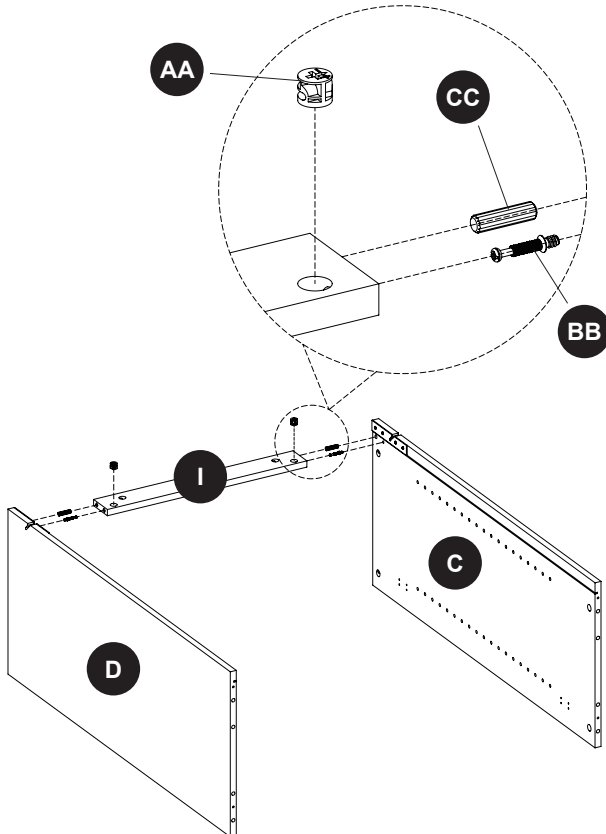


ASSEMBLY INSTRUCTIONS

- 2a. Screw cam bolts (BB) all the way into the small holes located on side panel left (C) and side panel right (D) as shown figure.
- 2b. Insert the wood dowels (CC) into the end holes as a guide, attach stretcher (I) to the side panel left (C) and side panel right (D) by engaging cam locks (AA).

Hardware Used


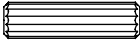
- | | | |
|----------------------|---|-----|
| AA Cam lock |  | x 2 |
| BB Cam bolt |  | x 2 |
| CC Wood dowel |  | x 2 |

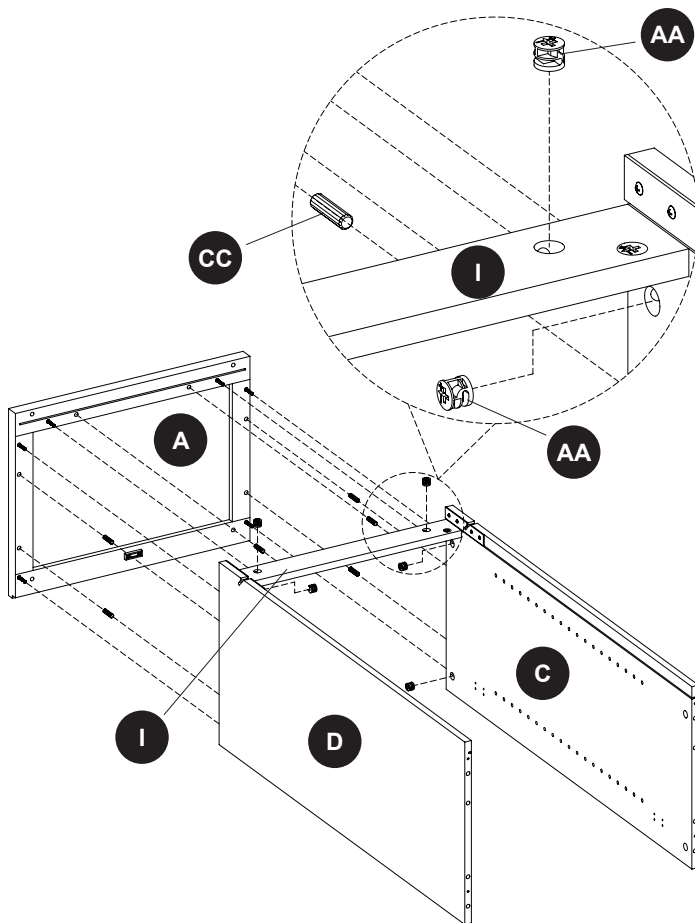


ASSEMBLY INSTRUCTIONS

- 3a. Insert the wood dowels (CC) into the holes pre-drilled on top edge of assembled frame.
- 3b. Position the top panel (A) onto the inserted dowels and attach in place by engaging cam locks (AA) as shown figure.

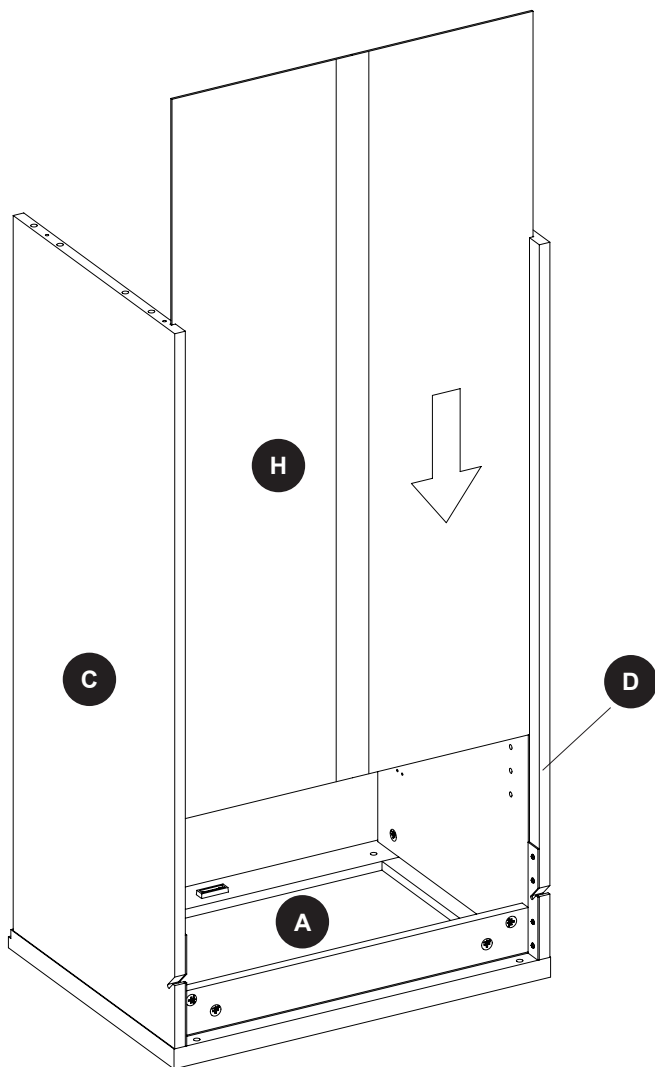
Hardware Used

- AA** Cam lock  x 6
- CC** Wood dowel  x 6



ASSEMBLY INSTRUCTIONS

4. Insert back panel (H) into side panel left (C), side panel right (D) and top panel (A).

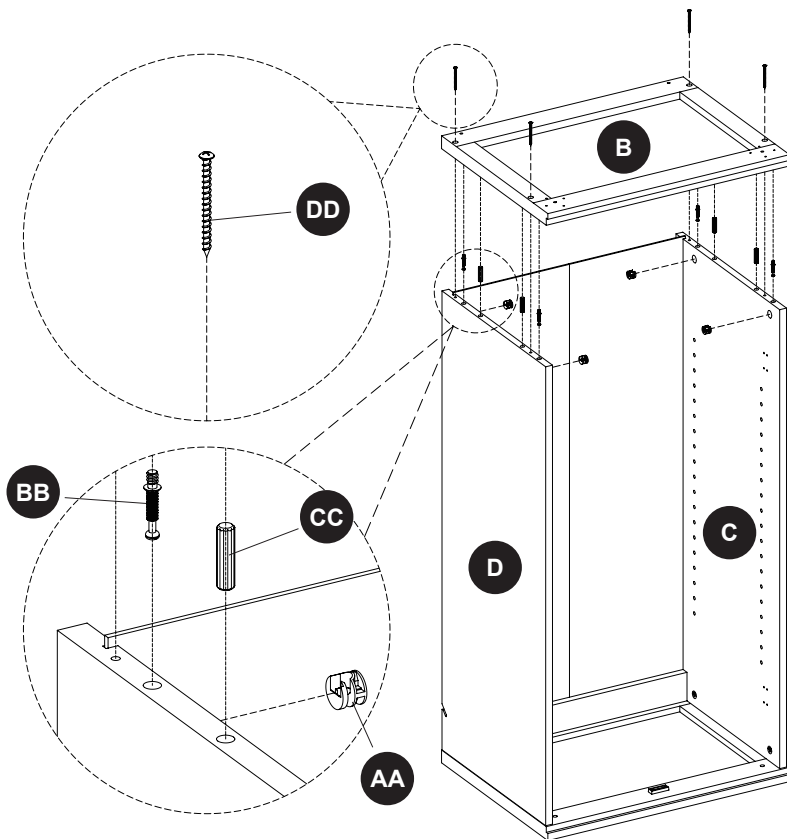


ASSEMBLY INSTRUCTIONS

- 5a. Insert the wood dowels (CC) into the holes pre-drilled on bottom edge of assembled frame.
- 5b. Position the bottom panel (B) onto the inserted dowels and attach it in place using cam locks (AA) and M4 x 50 mm screws (DD) as shown figure.

Hardware Used

- AA** Cam lock x 4
- CC** Wood dowel x 4
- DD** M4 x 50 mm Screw x 4



ASSEMBLY INSTRUCTIONS

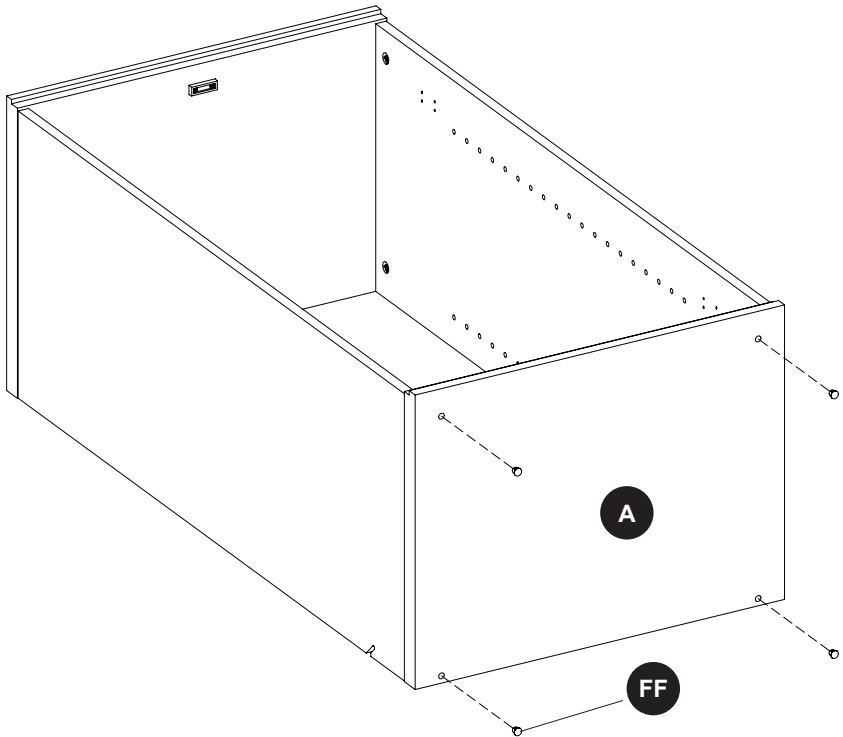
6. Insert the caps (FF) into the holes on top of the top panel (A).

Hardware Used

FF Cap



x 4



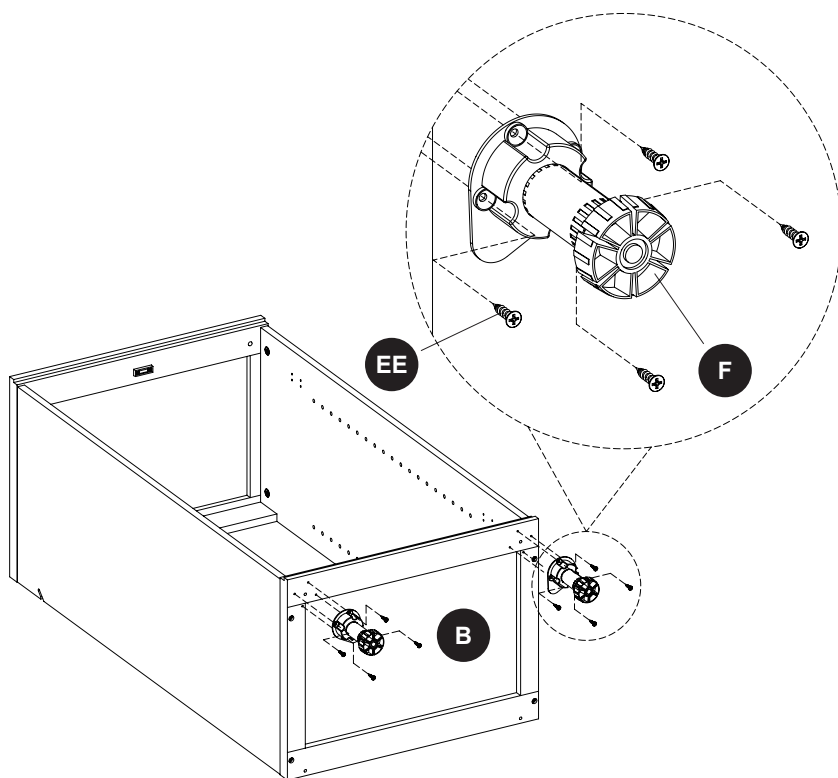
ASSEMBLY INSTRUCTIONS

7. Attach adjustable feet (F) to bottom panel (B) using M3.5 x 12 mm screws (EE).

Note: The adjustable feet (F) are optional, you don't need to install them if you don't want to.

Hardware Used

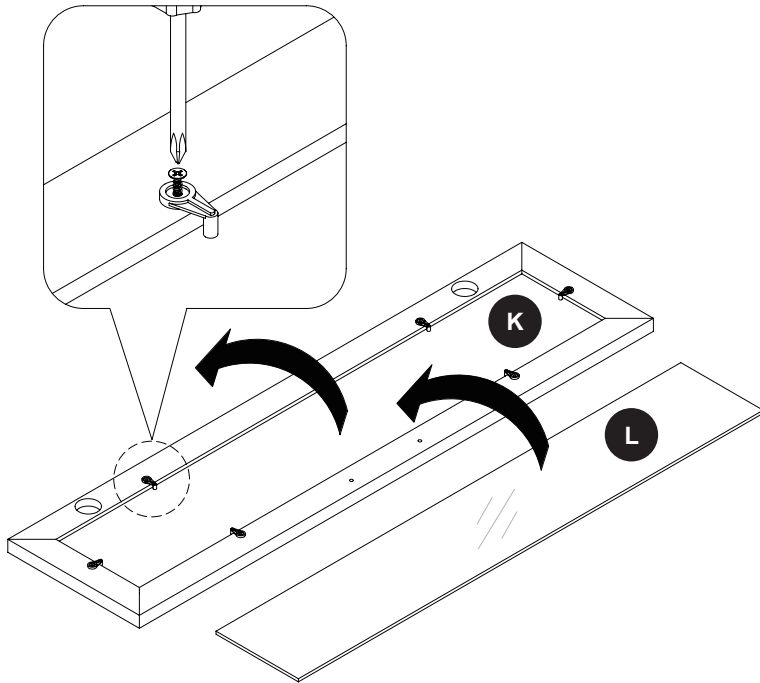
EE M3.5 x 12 mm
Screw



ASSEMBLY INSTRUCTIONS

NOTE: The doors are shipped with wood door panel. You can keep the doors as they are or interchange with the door glass insert (L) depending on your configuration.

8. To change the configuration, loosen the screws on the inside of door panels (K) and rotate the clips to remove the door insert panel. Replace with the desired panel, then rotate clips to secure the panel within the door frame and tighten screws.



ASSEMBLY INSTRUCTIONS

- 9a. Attach a handle (JJ) to the front side of door panel (K) using the 5/32 in. x 25 mm bolts (II) provided.
- 9b. Extend the door hinges (KK) and rest the hinge cups onto the cutouts of door panel (K). Hinges in place by using M4 x 12 mm screws (LL) in each. As shown in figure.

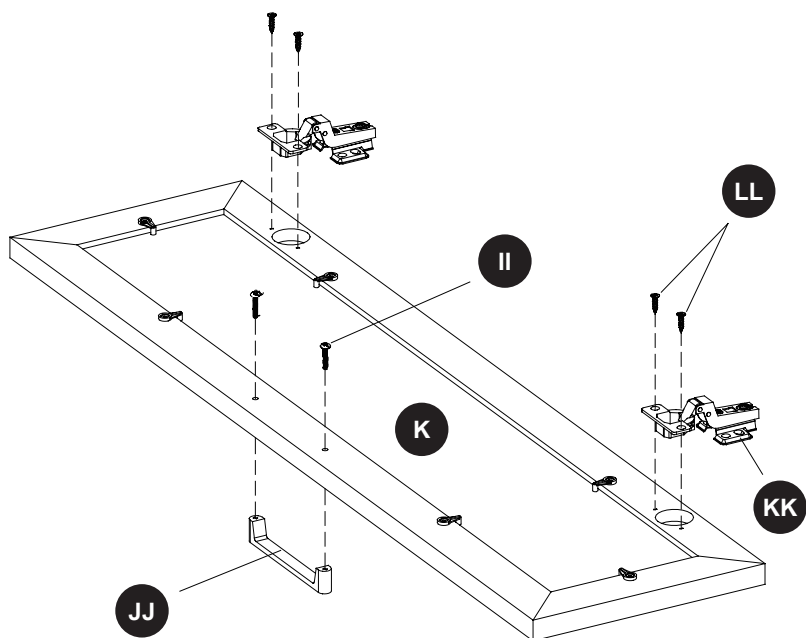
Hardware Used

II 5/32 in. x 25 mm Bolt x 4

JJ Handle x 2

KK Door hinge x 4

LL M4 x 12 mm Screw x 8



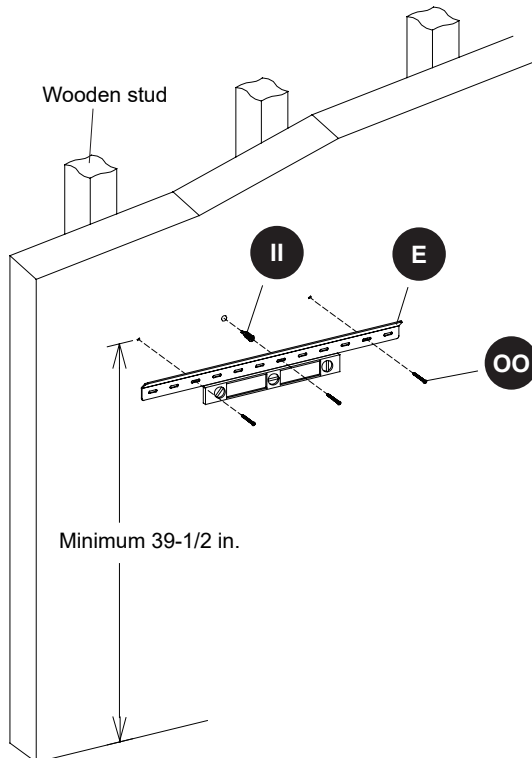
x 2

ASSEMBLY INSTRUCTIONS

- 10a. Using a stud finder, locate the edges of the wood studs. Find the center line of each stud and draw a vertical reference line on the wall over each one.
- 10b. Using metal bracket (E) as a template, mark three holes to indicate where holes will be drilled.
NOTE: The markings should be no less than 39-1/2 in. from the floor. At least two of the three markings should be located on the wooden studs.
- 10c. Drill three pilot holes into the wall where previously marked. **NOTE:** Drill 3/32 in. pilot holes for the markings on the wooden studs, and 5/16 in. pilot holes for other markings.
- 10d. Press the drywall anchors (II) into the 5/16 in. hole and screw it by using the Phillips screwdriver until flush in the hole.
- 10e. Attach metal bracket (E) to the wall using the M5 x 55 mm screws (OO).

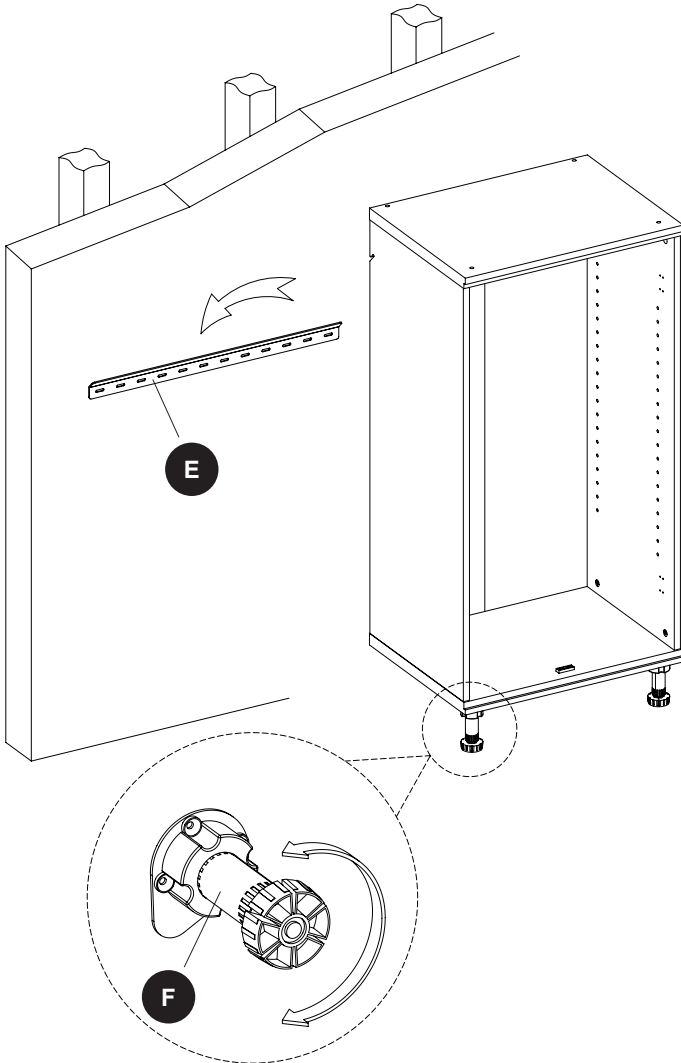
Hardware Used

- OO** M5 x 55 mm Screw x 3
- II** Drywall anchor x 1



ASSEMBLY INSTRUCTIONS

- 11a. With the help of another person, carefully hang the unit onto metal bracket (E).
- 11b. Adjust the feet (F) to the height that fits your preference or floor level.

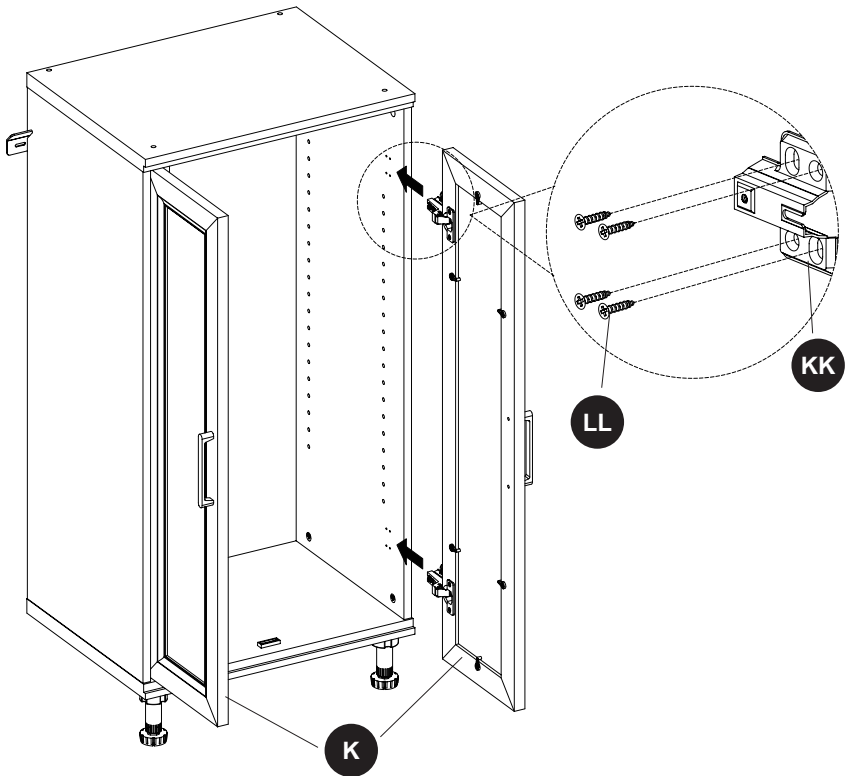


ASSEMBLY INSTRUCTIONS

12. Pick up both door panels (K) and fasten the hinge bases onto the side panels with the M4 x 12 mm screws (LL). DO NOT fully tighten the screws. Close the door panels to double check the alignment. If you find that the doors need to be adjusted slightly, please refer to the supplement on page #3 and turn the appropriate screws for a perfectly aligned door. After adjusted, tighten the screws on the hinge base to lock the hinges in place.

Hardware Used

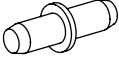

- LL** M4 x 12 mm
Screw
-  x 16

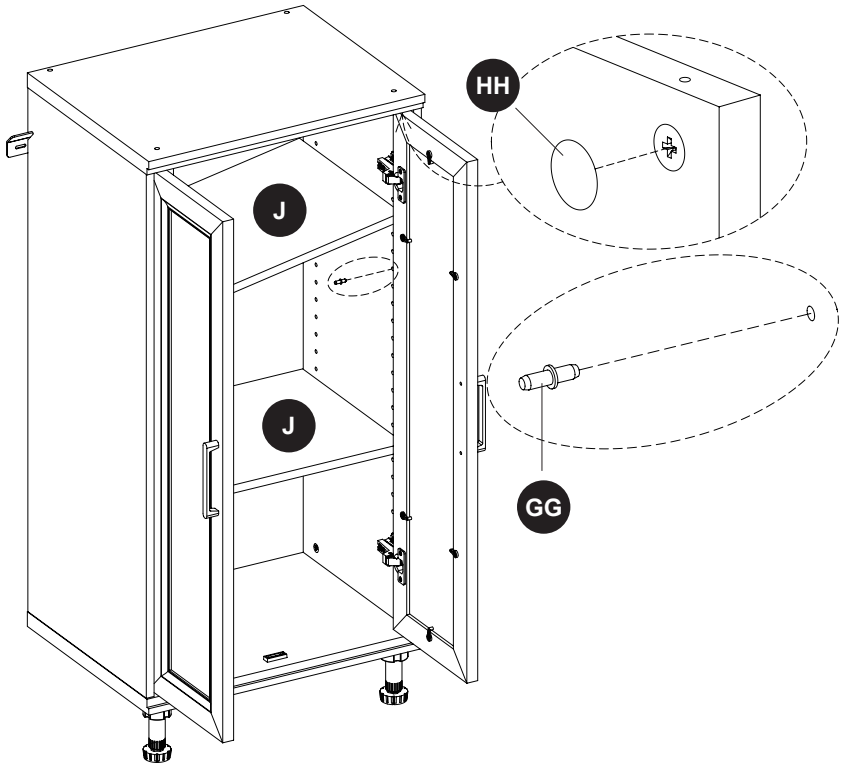


ASSEMBLY INSTRUCTIONS

- 13a. Set the shelf pins (GG) at your desired height at the same level. Tilt and install adjustable shelves (J) in place.
- 13b. Affix the PVC covers (HH) onto the visible cam locks to conceal the cams.

Hardware Used

- GG** Shelf pin  x 8
- HH** PVC Cover  x 8



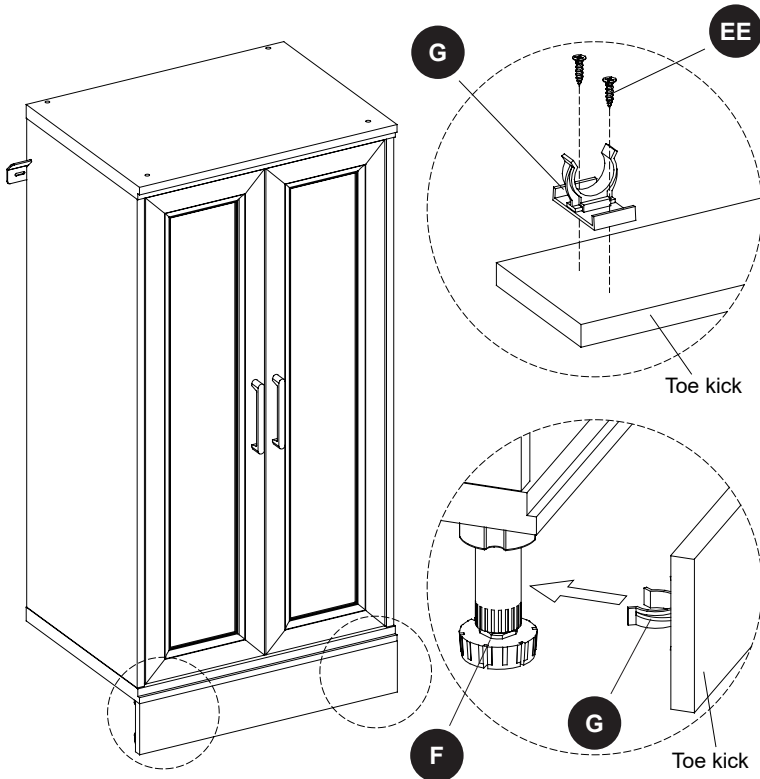
ASSEMBLY INSTRUCTIONS

14a. Attach clasps (G) to Toe kick (sold separately), using M3.5 x 12 mm screws (EE).

14b. Attach the assembled Toe kick to the adjustable feet (F) by pressing the clasps (G) into place.

Hardware Used

EE M3.5 x 12 mm
Screw



ASSEMBLY INSTRUCTIONS

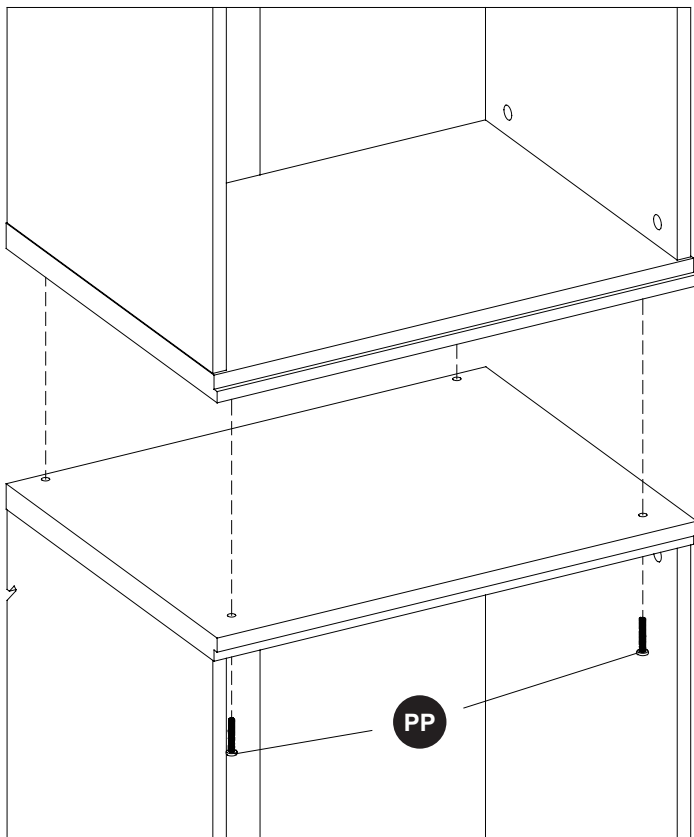
15. This cabinet was designed with a feature that allows stacking two units. Additional units are sold separately. Attach top panel of one unit to bottom panel of the other using the 1/4 in. x 38 mm bolts (PP). Tighten with hex wrench (QQ). Then, hang the connected set onto metal brackets.

Hardware Used

PP 1/4 in. x 38 mm Bolt x 4



QQ Hex wrench x 1



CARE AND MAINTENANCE

- Periodically check to make certain all components are properly positioned, free from damage and firmly connected.
- Use a soft, clean cloth that will not scratch the surface when dusting.
- Never use water to clean the furniture as it may cause damage to the finish.
- Wipe clean using a damp cloth and a mild cleaner. Wipe dry with a clean cloth.
- In the event that the furniture is stained or otherwise damaged during use, it is recommended you call a professional to repair the furniture.
- Keep furniture away from direct sunlight as it may damage the finish.
- It is best to keep the furniture in a climate-controlled environment. Extreme temperature and humidity changes can cause fading, warping, shrinking and splitting of wood.

ONE-YEAR LIMITED WARRANTY

This product is warranted to the original purchaser. If there is a failure in this unit due to defects in materials or workmanship, the manufacturer will repair or replace this item at our discretion without charge. Warranty is void if product has been assembled incorrectly, misused, abused by overloading, altered in any way or damaged due to accident. This warranty is not transferable and does not cover chipping, flaking, scratches, rust, dents, or other damages to the surfaces of this product. Responsibility of the manufacturer is limited to repair or replacement of this product. The manufacturer is not responsible for consequential, incidental, or other damages or losses resulting from product failure.

This warranty is in lieu of all other expressed warranties. Some states do not allow the exclusion or limitation of incidental or consequential damages, so the above limitation may not apply to you. This warranty gives you specific legal rights and you may have other rights which vary from state to state.

REPLACEMENT PARTS LIST

For replacement parts, call our customer service department at **877-888-8225**, 8 a.m. - 8 p.m., EST, Monday - Sunday. You may also contact us at ascs@lowes.com.

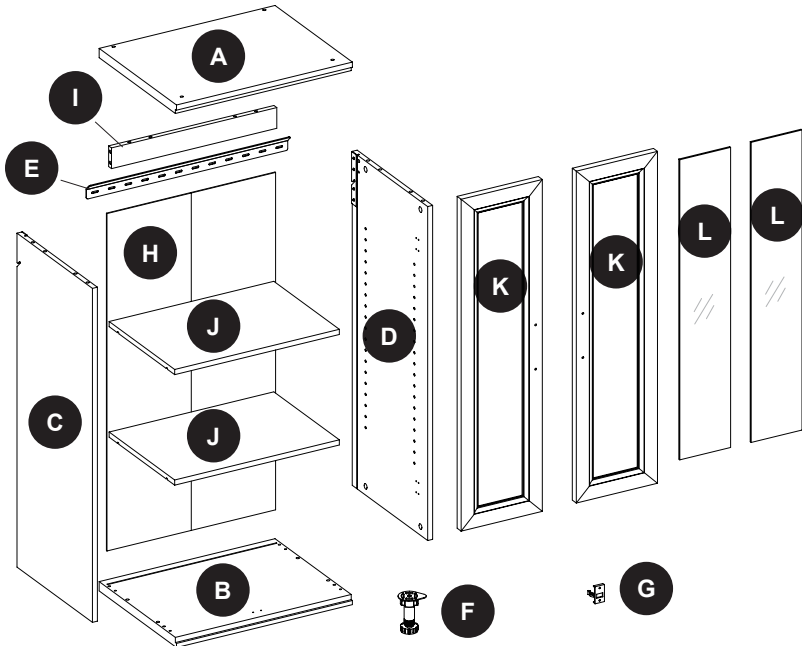
PART	DESCRIPTION	PART #	COVERED UNDER WARRANTY	QUANTITY
A	Top panel	00LOWECABWH-02-A	YES	1
B	Bottom panel	00LOWECABWH-02-B	YES	1
C	Side panel left	00LOWECABWH-02-C	YES	1
D	Side panel right	00LOWECABWH-02-D	YES	1
E	Metal bracket	00LOWECABWH-02-E	YES	1
F	Adjustable feet	04LOWEWH-AF	YES	2
G	Clasp	04LOWEWH-CL	YES	2
H	Back panel	00LOWECABWH-02-H	YES	1
I	Stretcher	00LOWECABWH-02-I	YES	1
J	Adjustable shelf	00LOWECABWH-02-J	YES	2
K	Door panel	00LOWECABWH-02-K	YES	2
L	Door glass insert	00LOWECABWH-02-L	YES	2
CH	Complete hardware	00LOWECABWH-02-CH	YES	1

REPLACEMENT PARTS LIST

For replacement parts, call our customer service department at **877-888-8225**, 8 a.m. - 8 p.m., EST, Monday - Sunday. You may also contact us at ascs@lowes.com.

The complete hardware pack contains below parts:

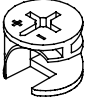
PART	DESCRIPTION	PART #	COVERED UNDER WARRANTY	QUANTITY
AA	Cam lock	06CLD15X12-ZN	YES	12
BB	Cam bolt	06CPSS32-ZN	YES	12
CC	Wood dowel	06WDLM8X30	YES	12
DD	M4 x 50 mm Screw	06SCPNHDM4X50-ZN	YES	4
EE	M3.5 x 12 mm Screw	06SCFLHDM3.5X12-ZN	YES	12
FF	Cap	04LOWEWH-CA	YES	4
GG	Shelf pin	06SHLFPIN6X17-NI	YES	8
HH	PVC Cover	04LOWEWH-PC	YES	8
II	5/32 in. x 25 mm Bolt	06BLTHDPHI4X25-ZN	YES	4
JJ	Handle	04LOWEWH-H	YES	2
KK	Door hinge	06EUHG35CCASC95O	YES	4
LL	M4 x 12 mm Screw	06SCFLHDM4X12-NI	YES	28
MM	Door stopper	06DOORSTOPPER	YES	2
NN	Drywall anchor	06TSDWANANCHOR	YES	1
OO	M5 x 55 mm Screw	06SCPNHDM5X55-ZN	YES	3
PP	1/4 in. x 38 mm Bolt	06BOLTFH1/4X38HXD-ZN	YES	4
QQ	Hex wrench	06HEXWCHM4-ZN	YES	1
RR	Plastic clip	06PLCCLPKT	YES	12



REPLACEMENT PARTS LIST

For replacement parts, call our customer service department at **877-888-8225**, 8 a.m. - 8 p.m., EST, Monday - Sunday. You may also contact us at ascs@lowes.com.

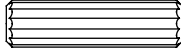
AA



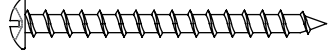
BB



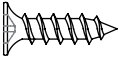
CC



DD



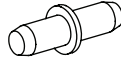
EE



FF



GG



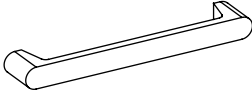
HH



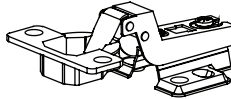
II



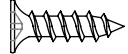
JJ



KK



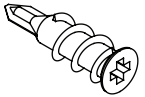
LL



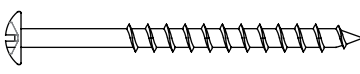
MM



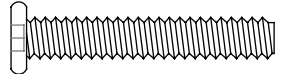
NN



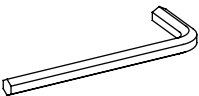
OO



PP



QQ



RR



Style™

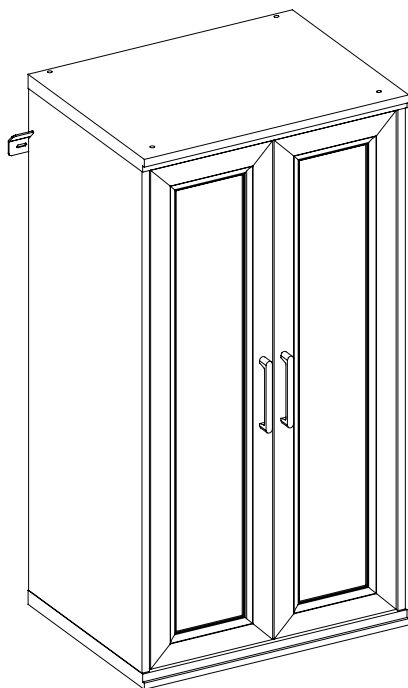
SELECTIONS

STYLE SELECTIONS y el diseño del logotipo son marcas comerciales o marcas registradas de LF, LLC. Todos los derechos reservados.

ARTÍCULO #7134500
MODELO #LOWECABWH-02

GABINETE DE 53.34 CM CON PUERTAS INTERCAMBIABLES DE MADERA O VIDRIO

ADJUNTE SU RECIBO AQUÍ



Número de serie _____

Fecha de compra _____

Gracias por comprar este producto **STYLE SELECTIONS**.

¿Preguntas, problemas o piezas faltantes?

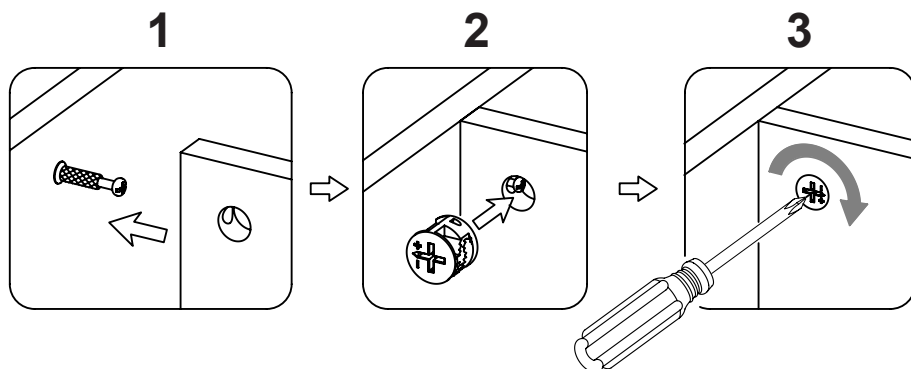
Antes de volver a la tienda, póngase en contacto al:

877-888-8225, de lunes a domingo, de 8 a.m. a 8 p.m., hora estándar del Este,
o al correo electrónico ascs@lowes.com.

ÍNDICE

Funcionamiento del sistema de cerrojo de leva.....	27
Contenido del paquete.....	28
Aditamentos.....	29
Información de seguridad.....	30
Preparación.....	30
Instrucciones de ensamblaje.....	31
Cuidado y mantenimiento.....	46
Un año de garantía limitada.....	46
Lista de piezas de repuesto.....	46

FUNCIONAMIENTO DEL SISTEMA DE CERROJO DE LEVA

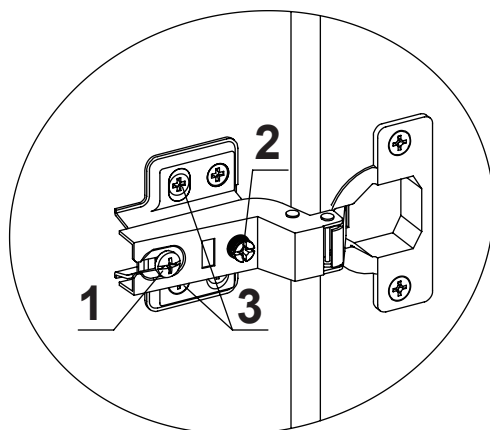


1. Atornille los pernos de leva a los orificios pequeños pretaladrados en el panel.
2. Introduzca el cerrojo de leva en el orificio pretaladrado grande en el panel.
3. Asegúrese de que la flecha en el cerrojo de leva señale a los pernos de leva.
4. Una ambos paneles, y asegúrese de que los pernos de leva vayan dentro del orificio pretaladrado en el extremo del panel con cerrojo de leva.
5. Una vez que los pernos de leva estén conectados dentro del cerrojo de leva, tome el destornillador Phillips y apriete el cerrojo de leva en dirección de las manecillas del reloj.

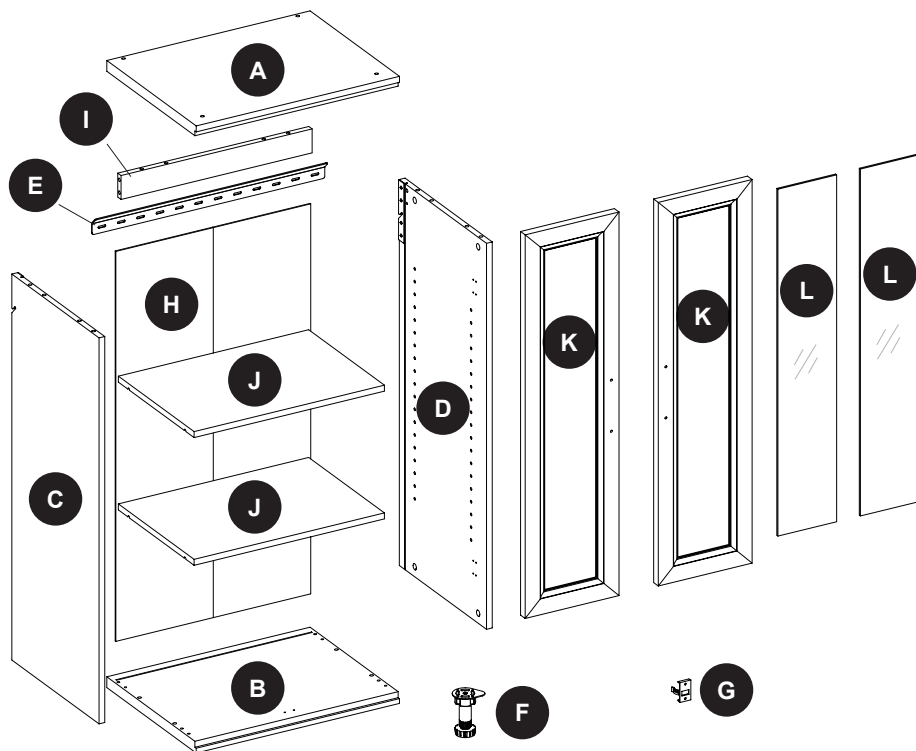
COMO AJUSTAR LAS BISAGRAS EUROPEAS AJUSTABLES EN LAS PUERTAS

El envío puede causar que las puertas se desalineen. Si encuentra que las puertas necesitan un ajuste, gire el perno apropiado, como esta ilustrado.

1. PARA AJUSTAR LA PUERTA HACIA DELANTE O HACIA ATRAS.
2. PARA AJUSTAR LA PUERTA HACIA LA DERECHA O HACIA LA IZQUIERDA.
3. PARA AJUSTAR LA PUERTA HACIA ARRIBA O HACIA ABAJO.



CONTENIDO DEL PAQUETE



PIEZA	DESCRIPCIÓN	CANTIDAD
A	Panel superior	1
B	Panel inferior	1
C	Panel lateral izquierdo	1
D	Panel lateral derecho	1
E	Soporte de metal	1
F	Patas ajustables	2

PIEZA	DESCRIPCIÓN	CANTIDAD
G	Sujetador	2
H	Panel posterior	1
I	Extensor	1
J	Estante ajustable	2
K	Panel de puerta	2
L	Vidrio para la puerta	2

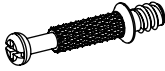
ADITAMENTOS (no se muestran en tamaño real)

AA



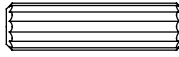
Cerrojo de
leva
Cant. 12

BB



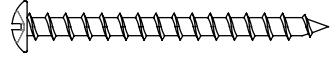
Perno de
leva
Cant. 12

CC



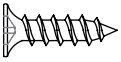
Espiga de
madera
Cant. 12

DD



Tornillo M4 x 50 mm
Cant. 4

EE



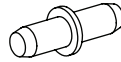
Tornillo
M3.5 x 12 mm
Cant. 12

FF



Tapa
Cant. 4

GG



Pasador de
repisa
Cant. 8

HH



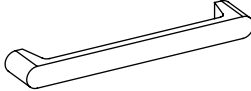
Cubierta de PVC
Cant. 8

II



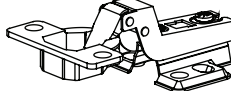
Perno de 5/32
pulg. x 25 mm
Cant. 4

JJ



Mango
Cant. 2

KK



Bisagra para
puerta
Cant. 4

LL



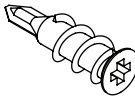
Tornillo
M4 x 12 mm
Cant. 28

MM



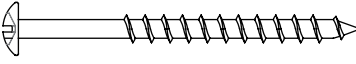
Tope de puerta
Cant. 2

NN



Ancla de expansión
para panel de yeso
Cant. 1

OO



Tornillo M5 x 55 mm
Cant. 3

PP



Perno de 1/4 pulg.
x 38 mm
Cant. 4

QQ

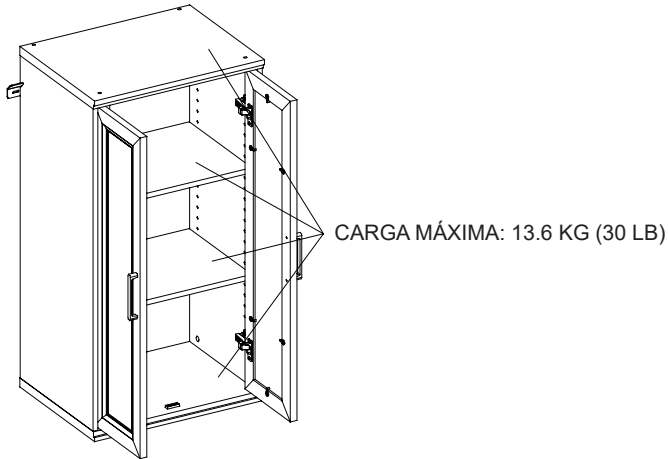


Llave hexagonal
Cant. 1

⚠ INFORMACIÓN DE SEGURIDAD

Lea y comprenda completamente este manual antes de intentar ensamblar, usar o instalar el producto.

- No permita que los niños se suban al producto o que jueguen cerca de él.
- Use esta unidad solo para el fin para el cual se diseñó. No utilice las repisas como escalera de tijera.
- Para evitar daños, ensamble este producto sobre una superficie segura, nivelada y resistente.
- Asegúrese de que todos los pernos/tornillos estén bien apretados antes de usar la unidad.
- Revise periódicamente los tornillos/pernos y apriételos si es necesario.



⚠ ADVERTENCIA

ESTA UNIDAD ESTÁ DISEÑADA PARA UTILIZARSE SOLO CON LOS PESOS MÁXIMOS ESPECIFICADOS. LA SOBRECARGA DE LA UNIDAD DE ALMACENAMIENTO CON PRODUCTOS MÁS PESADOS QUE EL PESO MÁXIMO PUEDE PROVOCAR LESIONES. DISTRIBUYA CUALQUIER PESO EN LAS UNIDADES DE MANERA UNIFORME.

PREPARACIÓN

Antes de comenzar a ensamblar el producto, asegúrese de tener todas las piezas. Compare las piezas con la lista del contenido del paquete y la lista de aditamentos. No intente ensamblar el producto si falta alguna pieza o si estas están dañadas.

Tiempo estimado de ensamblaje: 50 minutos

Herramientas necesarias para el ensamblaje (no se incluyen): destornillador Phillips, taladro eléctrico, broca para taladro de 5/16 pulg., broca para taladro de 3/32 pulg., nivel, detector de vigas, lápiz para marcar, cinta métrica, escalera de tijera, mazo de goma.

INSTRUCCIONES DE ENSAMBLAJE

- 1a. Fije los topes de puerta (MM) al panel superior (A) y al panel inferior (B) con tornillos M4 x 12 mm (LL).
- 1b. Enrosque los pernos de leva (BB) hasta el fondo en los orificios pretaladrados pequeños en el panel superior (A) y el panel inferior (B), como se muestra en la figura.

Aditamentos utilizados

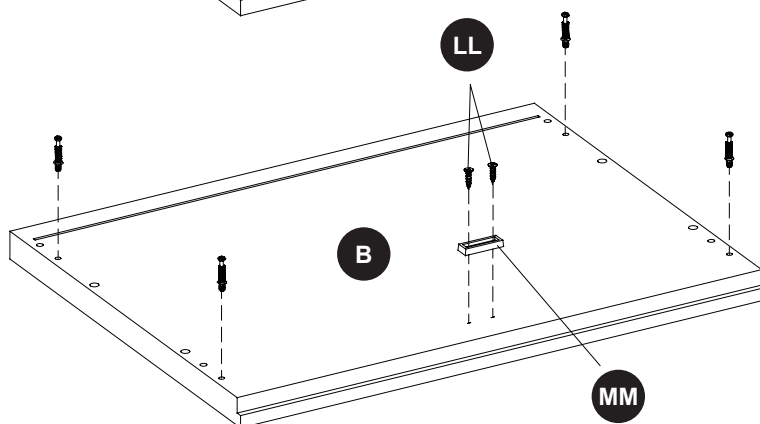
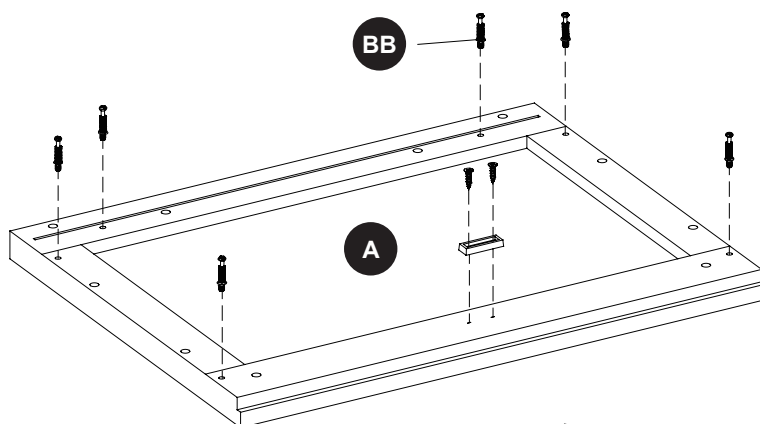
BB Perno de leva x 10



LL Tornillo M4 x 12 mm x 4






MM Tope de puerta x 2

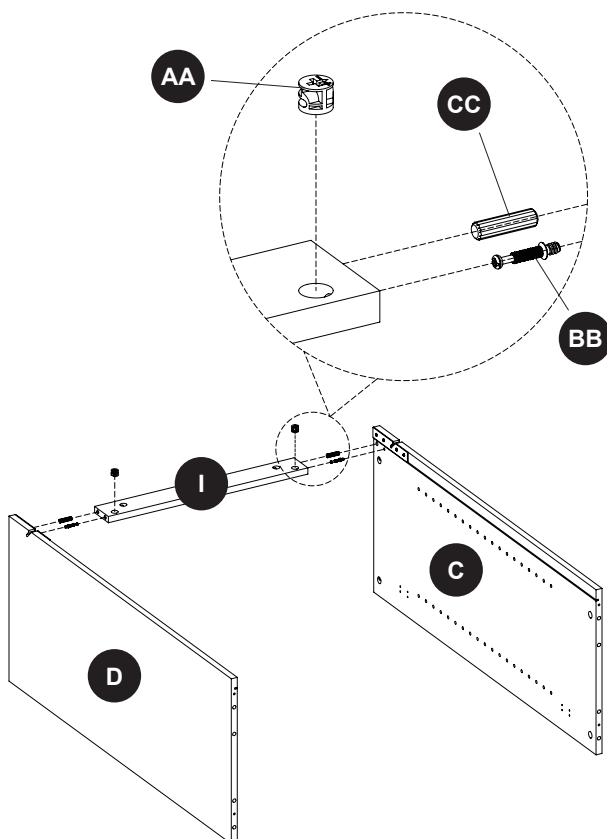


INSTRUCCIONES DE ENSAMBLAJE

- 2a. Atornille los pernos de leva (BB) hasta el fondo en los orificios pequeños ubicados en el panel lateral izquierdo (C) y el panel lateral derecho (D), como se muestra en la figura.
- 2b. Inserte las espigas de madera (CC) en los orificios de los extremos como guía, fije el extensor (I) en el panel lateral izquierdo (C) y el panel lateral derecho (D) al enganchar los cerrojos de leva (AA).

Aditamentos utilizados

- | | | | |
|-----------|------------------|---|-----|
| AA | Cerrojo de leva |  | x 2 |
| BB | Perno de leva |  | x 2 |
| CC | Espiga de madera |  | x 2 |



INSTRUCCIONES DE ENSAMBLAJE

3a. Inserte las espigas de madera (CC) en los orificios pretaladrados en el borde superior de la estructura ensamblada.

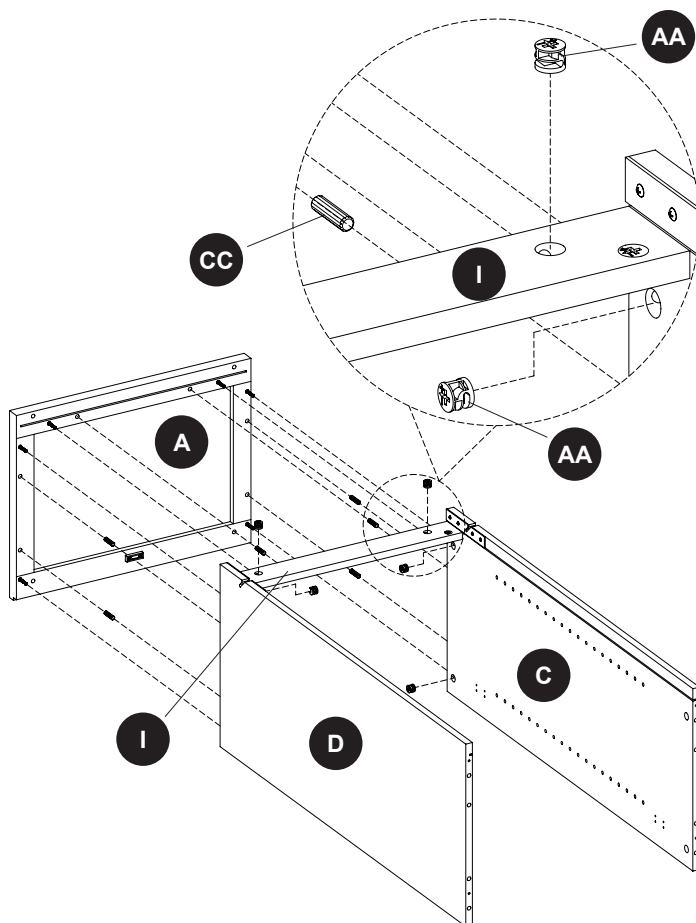
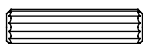
3b. Coloque el panel superior (A) sobre las espigas insertadas y fíjelo en su lugar al enganchar los cerrojos de leva (AA), como se muestra en la figura.

Aditamentos utilizados

AA Cerrojo de leva x 6

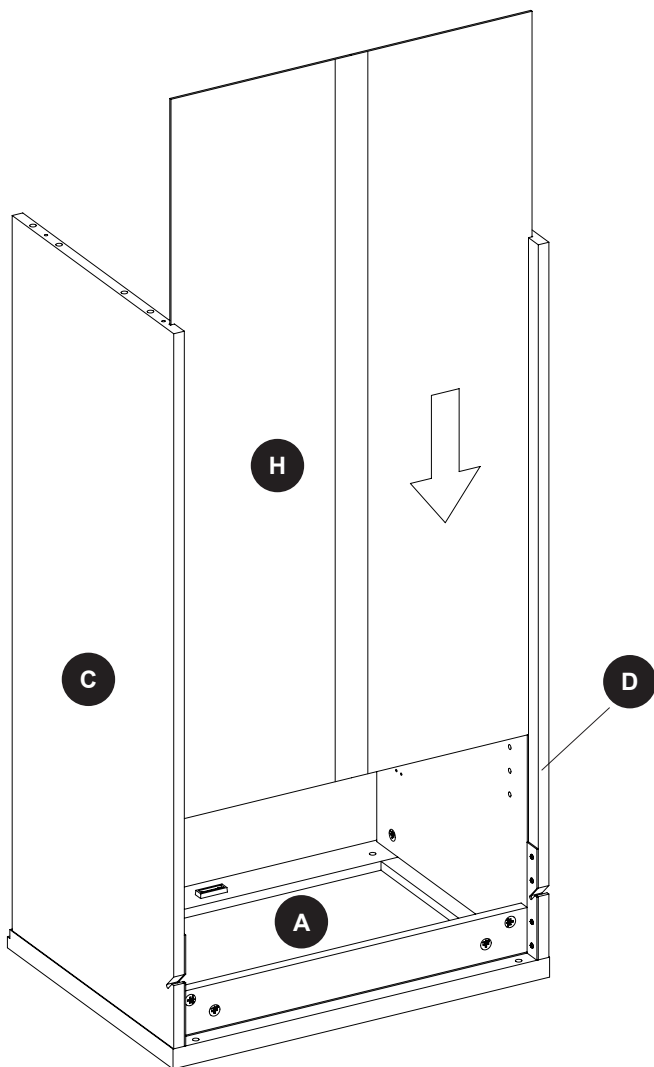


CC Espiga de madera x 6



INSTRUCCIONES DE ENSAMBLAJE

4. Inserte el panel posterior (H) en el panel lateral izquierdo (C), el panel lateral derecho (D) y el panel superior (A).





INSTRUCCIONES DE ENSAMBLAJE

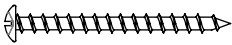
5a. Inserte las espigas de madera (CC) en los orificios pretaladrados en el borde inferior de la estructura ensamblada.

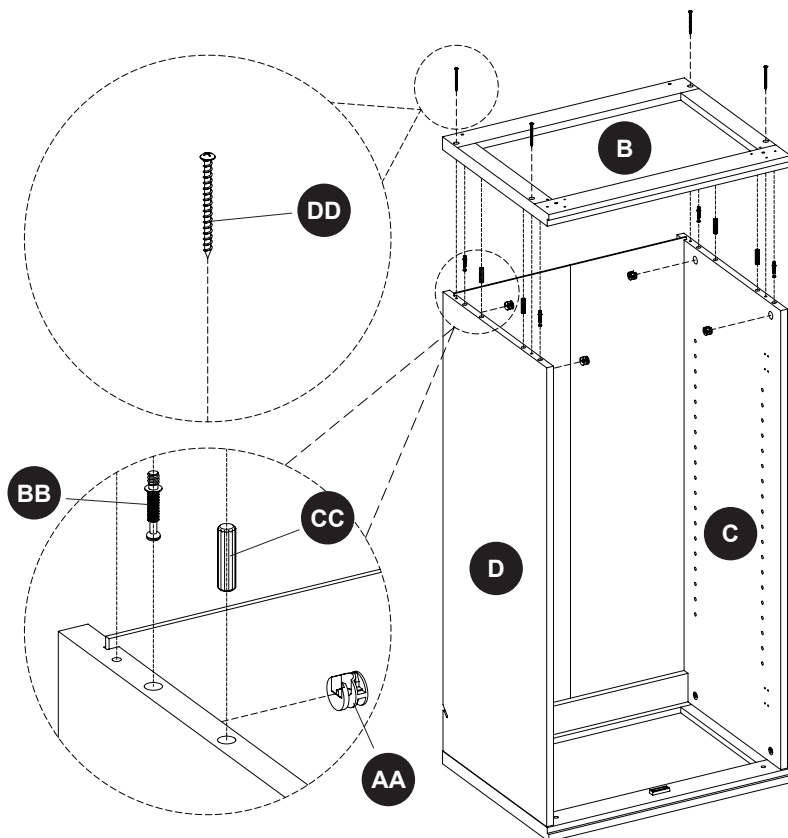
5b. Coloque el panel inferior (B) sobre las espigas insertadas y fíjelo en su lugar con cerrojos de leva (AA) y tornillos M4 x 50 mm (DD) como se muestra en la figura.

Aditamentos utilizados

AA Cerrojo de leva  x 4

CC Espiga de madera  x 4

DD Tornillo M4 x 50 mm  x 4



INSTRUCCIONES DE ENSAMBLAJE

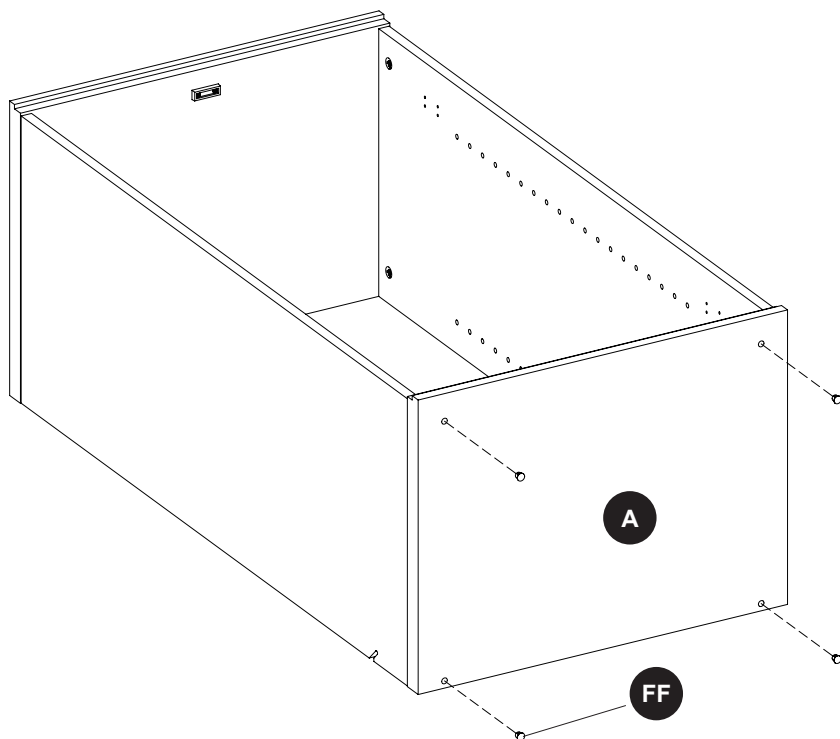
6. Inserte las tapas (FF) en los orificios de la parte superior del panel superior (A).

Aditamentos utilizados

FF Tapa



x 4



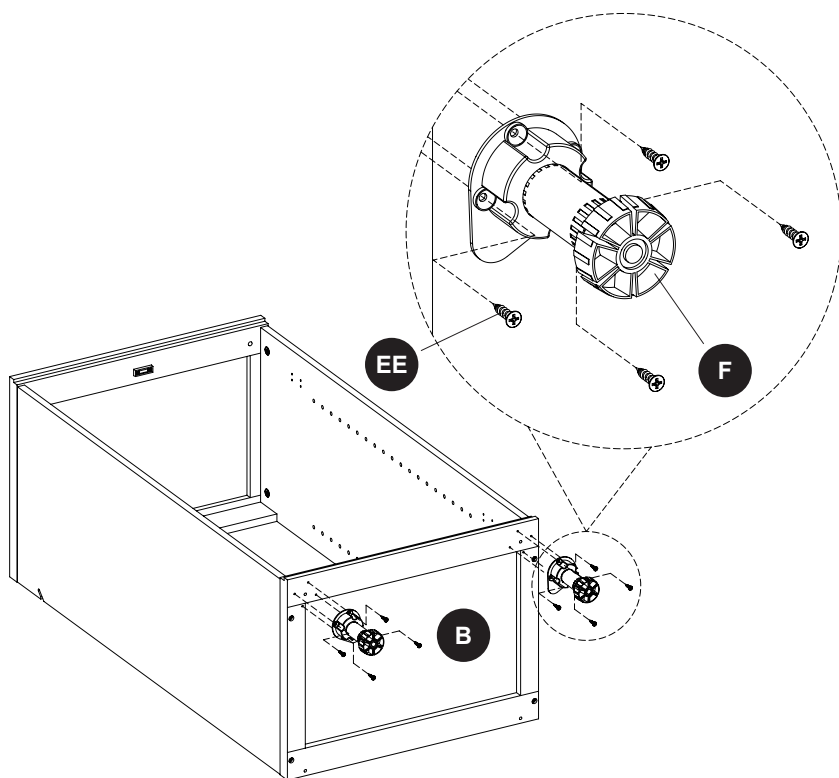
INSTRUCCIONES DE ENSAMBLAJE

7. Fije las patas ajustables (F) al panel inferior (B) con tornillos M3.5 x 12 mm (EE).

Nota: las patas ajustables (F) son opcionales; no es necesario instalarlas si no lo desea.

Aditamentos utilizados

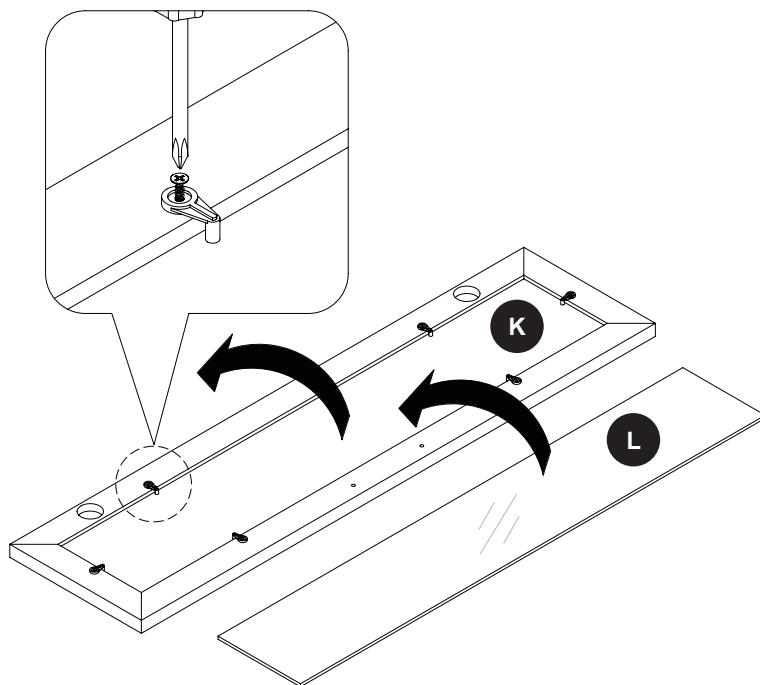
EE Tornillo M3.5 x
12 mm



INSTRUCCIONES DE ENSAMBLAJE

NOTA: las puertas se envían con panel de puerta de madera. Puede mantener las puertas como están o intercambiarlas con el accesorio de vidrio para la puerta (L) según su configuración.



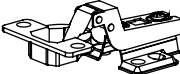

8. Para cambiar la configuración, afloje los tornillos del interior de los paneles de las puertas (K) y gire los sujetadores para retirar el panel del accesorio de la puerta. Vuelva a colocar el panel deseado, luego gire los sujetadores y apriete el panel dentro del marco para puerta y apriete los tornillos.

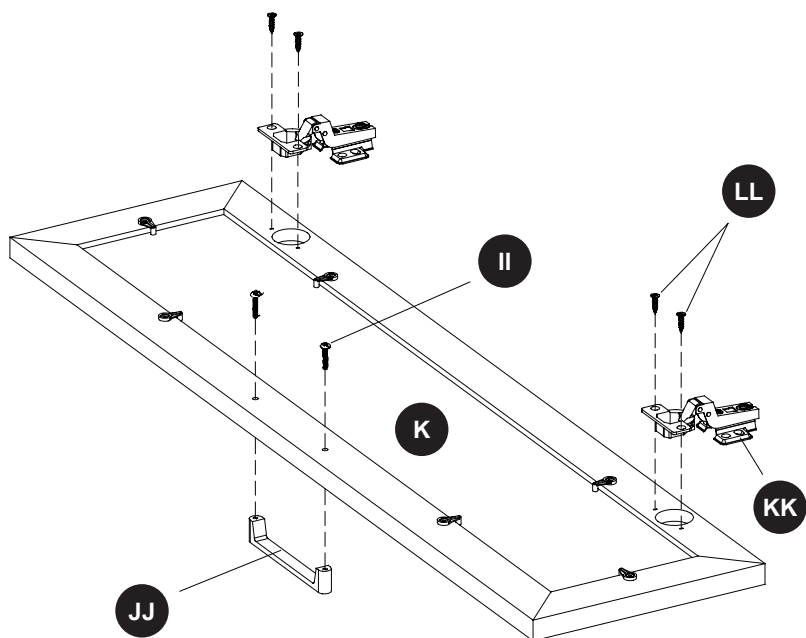


INSTRUCCIONES DE ENSAMBLAJE

- 9a. Fije una manija (JJ) en el frente del panel de la puerta (K) con los pernos de 5/32 pulg. x 25 mm (II) proporcionados.
- 9b. Extienda las bisagras de la puerta (KK) y apoye las cazoletas en los recortes del panel de la puerta (K). Fije las bisagras en su lugar con los tornillos M4 x 12 mm (LL) en cada una. Como se muestra en la figura.

Aditamentos utilizados

- | | | | |
|-----------|-----------------------------|---|-----|
| II | Perno de 5/32 pulg. x 25 mm |  | x 4 |
| JJ | Mango |  | x 2 |
| KK | Bisagra para puerta |  | x 4 |
| LL | Tornillo M4 x 12 mm |  | x 8 |

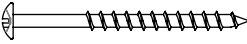
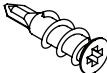


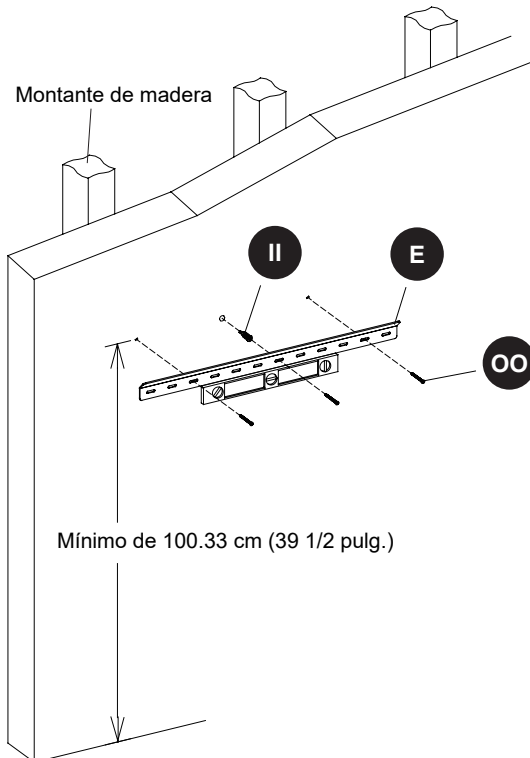
x 2

INSTRUCCIONES DE ENSAMBLAJE

- 10a. Con un detector de vigas, localice los bordes de las vigas de madera. Localice la línea central de cada viga y trace una línea vertical como referencia en la pared sobre cada una.
- 10b. Con un soporte de metal (E) como guía, marque tres orificios para indicar dónde se deben taladrar los orificios. **NOTA:** las marcas deben estar a no menos de 100.33 cm del suelo. Debe haber al menos dos de las tres marcas a cada lado en los montantes de madera.
- 10c. Taladre tres orificios guía en la pared donde se marcaron previamente. **NOTA:** taladre orificios guía de 2.38 mm (3/32 pulg.) para las marcas en los montantes de madera y orificios guía de 7.93 mm (5/16 pulg.) para otras marcas.
- 10d. Presione las anclas de expansión para panel de yeso (II) en el orificio de 7.93 mm (5/16 pulg.) y enrósquelas con el destornillador Phillips hasta que queden al ras del orificio.
- 10e. Fije el soporte de metal (E) a la pared con los tornillos M5 x 55 mm (OO).

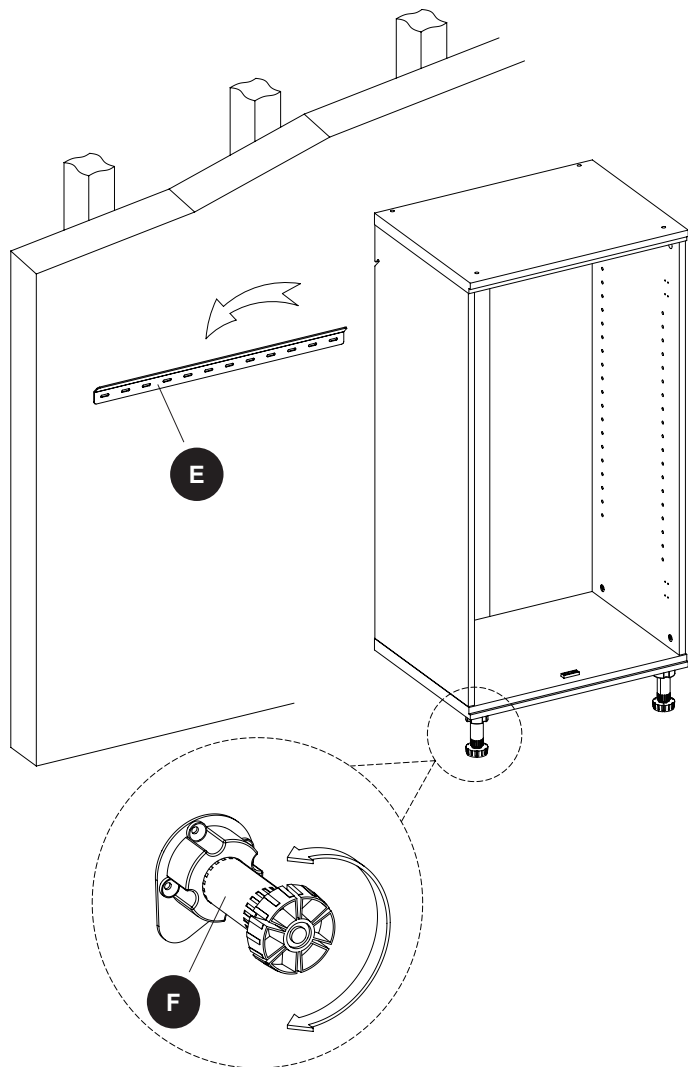
Aditamentos utilizados

- OO** Tornillo M5 x 55 mm  x 3
- II** Ancla de expansión para panel de yeso  x 1



INSTRUCCIONES DE ENSAMBLAJE

- 11a. Con la ayuda de otra persona, cuelgue la unidad con cuidado sobre los soportes de metal (E).
11b. Ajuste las patas (F) a la altura que se adapte al suelo o a sus preferencias.

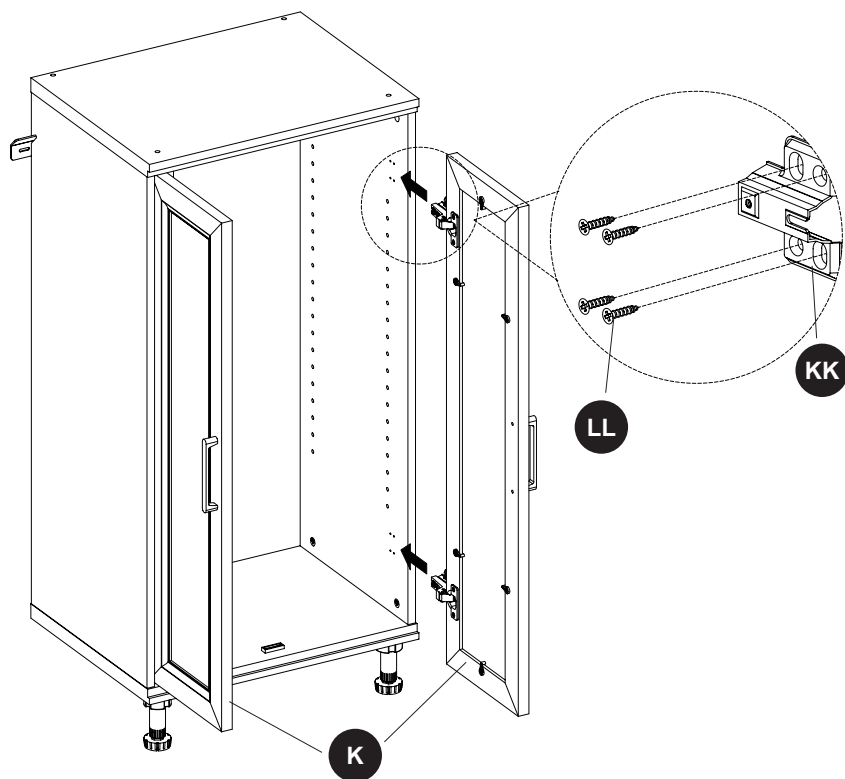


INSTRUCCIONES DE ENSAMBLAJE

12. Levante ambos paneles de puerta (K) y fije las bases de las bisagras en los paneles laterales con los tornillos M4 x 12 mm (LL). NO apriete completamente los tornillos. Cierre los paneles de puerta para volver a verificar la alineación. Si encuentra que es necesario ajustar ligeramente las puertas, consulte el suplemento en la página 3 y gire los tornillos apropiados para obtener una puerta perfectamente alineada. Después del ajuste, apriete los tornillos en la base de la bisagra para bloquear las bisagras en su lugar.

Aditamentos utilizados

LL Tornillo M4 x 12 mm  x 16



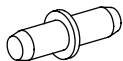
INSTRUCCIONES DE ENSAMBLAJE

13a. Coloque los soportes para estante (GG) a la altura deseada al mismo nivel. Incline e instale los estantes ajustables (J) en su lugar.

13b. Fije las cubiertas de PVC (HH) sobre los cerrojos de leva visibles para ocultar las levas.

Aditamentos utilizados

GG Pasador de repisa x 8

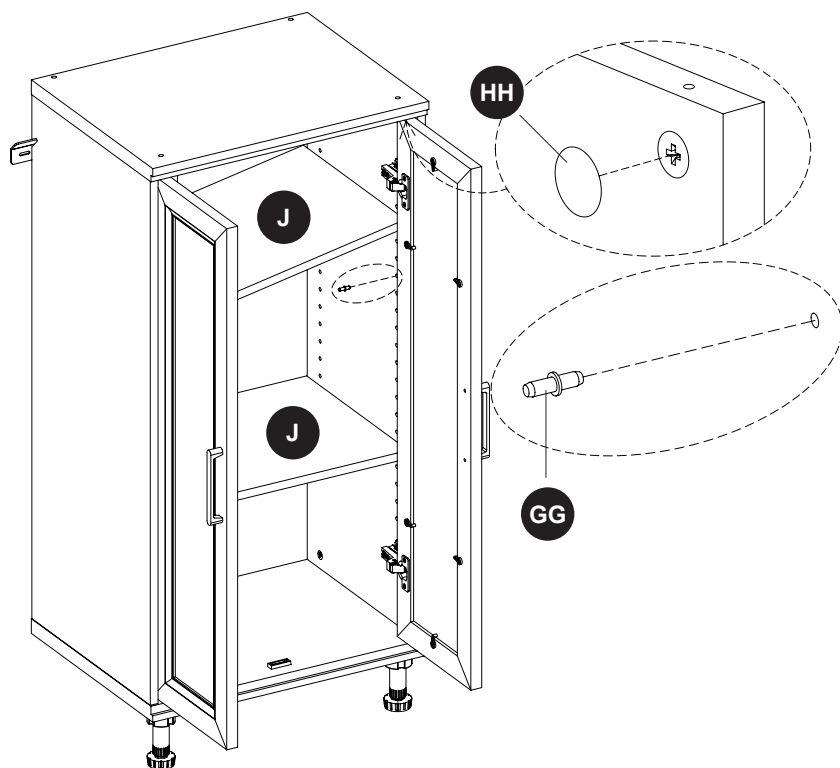


x 8

HH Cubierta de PVC x 8



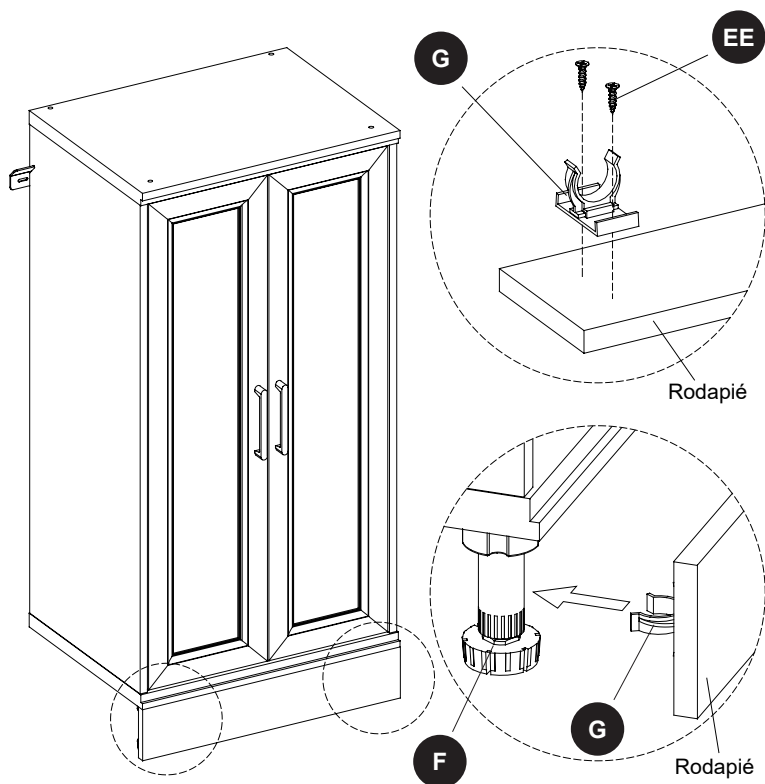
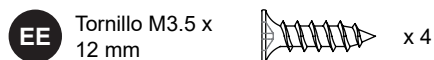
x 8



INSTRUCCIONES DE ENSAMBLAJE

- 14a. Fije los sujetadores (G) al rodapié (se vende por separado) con tornillos M3.5 x 12 mm (EE).
14b. Fije el rodapié ensamblado a las patas ajustables (F) al presionar los sujetadores (G) en su lugar.

Aditamentos utilizados



INSTRUCCIONES DE ENSAMBLAJE

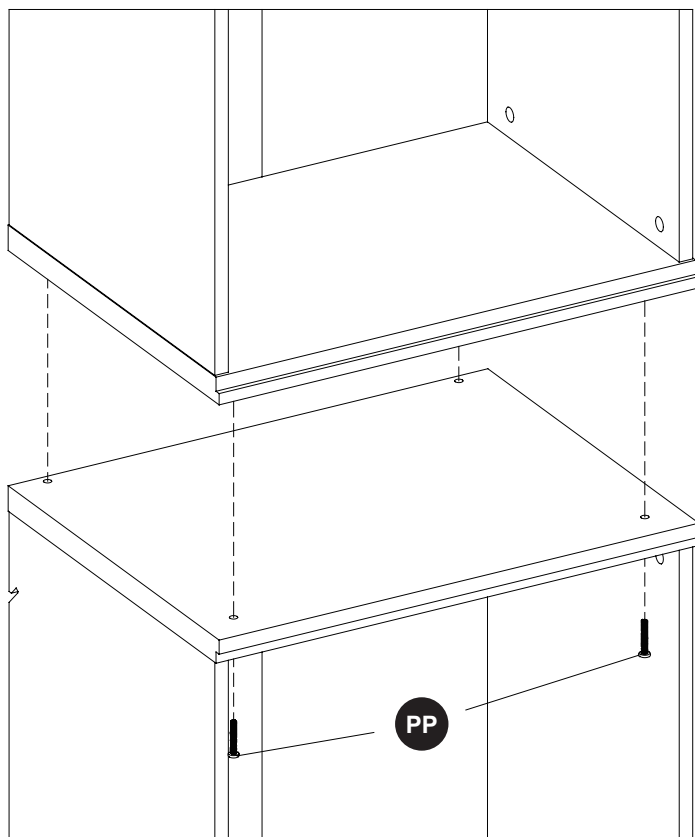
15. Este gabinete se diseñó con una característica que permite apilar dos unidades. Las unidades adicionales se venden por separado. Fije el panel superior de una unidad al panel inferior de la otra con los pernos de 1/4 pulg. x 38 mm (PP). Apriete con la llave hexagonal (QQ). A continuación, cuelgue el conjunto conectado en soportes de metal.

Aditamentos utilizados

PP Perno de 1/4 pulg. x 38 mm x 4



QQ Llave hexagonal x 1



CUIDADO Y MANTENIMIENTO

- Revise periódicamente para asegurarse de que todos los componentes estén ubicados de forma correcta, que no estén dañados y que estén firmemente conectados.
- Utilice un paño suave y limpio que no raye la superficie al limpiarla.
- Nunca utilice agua para limpiar los muebles, ya que puede provocar daños en el acabado.
- Limpie con un paño húmedo y un limpiador suave. Seque con un paño limpio.
- En el caso de que el mueble se tiña o se dañe durante el uso, le recomendamos que llame a un profesional para repararlo.
- Mantenga el mueble lejos de la luz solar directa, ya que puede provocar daños en el acabado.
- Es mejor mantener los muebles en un ambiente climatizado. Los cambios extremos de temperatura y de humedad pueden ocasionar decoloración, deformación, contracciones y grietas en la madera.

UN AÑO DE GARANTÍA LIMITADA

La garantía de este producto es válida para el comprador original. Si esta unidad presenta alguna falla debido a defectos en los materiales o la mano de obra, el fabricante reemplazará o reparará a su discreción este artículo sin cargos. La garantía se anula si el producto no se ensambló correctamente y debido al mal uso, abuso por sobrecarga, modificación de cualquier tipo o daños producidos por un accidente. Esta garantía no es transferible y no cubre el desportillado, desprendimiento, rayones, oxidación, abolladuras u otros daños en la superficie de este producto. La responsabilidad del fabricante se limita a la reparación o el reemplazo de este producto. El fabricante no se hará responsable por daños accidentales o resultantes u otros daños o pérdidas causadas por fallas del producto.

Esta garantía reemplaza a todas las demás garantías explícitas. Algunos estados no permiten la exclusión o limitación de los daños accidentales o resultantes, de modo que las limitaciones anteriores pueden no aplicarse en su caso. Esta garantía le otorga derechos legales específicos y podría tener otros derechos, que varían según el estado.

LISTA DE PIEZAS DE REPUESTO

Para obtener piezas de repuesto, llame a nuestro Departamento de Servicio al Cliente al **877-888-8225**, de lunes a domingo de 8 a.m. a 8 p.m., hora estándar del Este, o escriba al correo electrónico ascs@lowes.com.

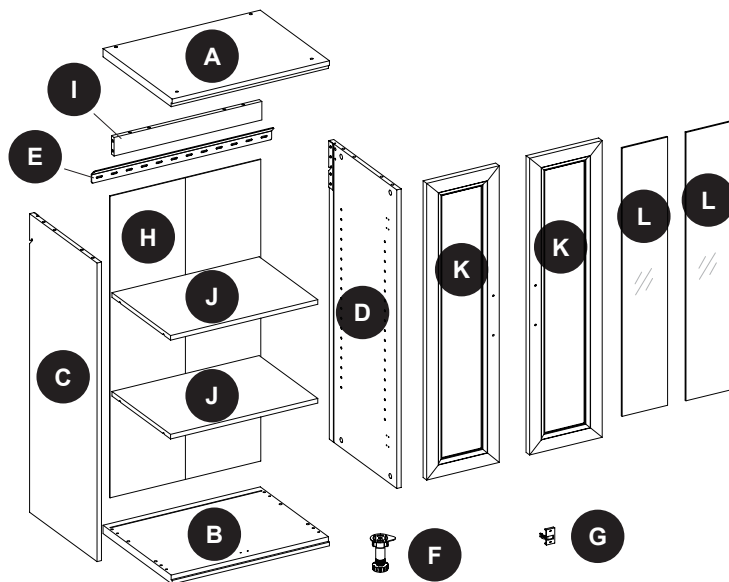
PIEZA	DESCRIPCIÓN	PIEZA #	CUBIERTO POR LA GARANTÍA	CANTIDAD
A	Panel superior	00LOWECABWH-02-A	SÍ	1
B	Panel inferior	00LOWECABWH-02-B	SÍ	1
C	Panel lateral izquierdo	00LOWECABWH-02-C	SÍ	1
D	Panel lateral derecho	00LOWECABWH-02-D	SÍ	1
E	Soporte de metal	00LOWECABWH-02-E	SÍ	1
F	Patas ajustables	04LOWEWH-AF	SÍ	2
G	Sujetador	04LOWEWH-CL	SÍ	2
H	Panel posterior	00LOWECABWH-02-H	SÍ	1
I	Extensor	00LOWECABWH-02-I	SÍ	1
J	Estante ajustable	00LOWECABWH-02-J	SÍ	2
K	Panel de puerta	00LOWECABWH-02-K	SÍ	2
L	Vidrio para la puerta	00LOWECABWH-02-L	SÍ	2
CH	Aditamentos completos	00LOWECABWH-02-CH	SÍ	1

LISTA DE PIEZAS DE REPUESTO

Para obtener piezas de repuesto, llame a nuestro Departamento de Servicio al Cliente al **877-888-8225**, de lunes a domingo de 8 a.m. a 8 p.m., hora estándar del Este, o escriba al correo electrónico ascs@lowes.com.

El paquete completo de aditamentos contiene las siguientes piezas:

PIEZA	DESCRIPCIÓN	PIEZA #	CUBIERTO POR LA GARANTÍA	CANTIDAD
AA	Cerrojo de leva	06CLD15X12-ZN	SÍ	12
BB	Perno de leva	06CPSS32-ZN	SÍ	12
CC	Espiga de madera	06WDLM8X30	SÍ	12
DD	Tornillo M4 x 50 mm	06SCPNHDM4X50-ZN	SÍ	4
EE	Tornillo M3.5 x 12 mm	06SCFLHDM3.5X12-ZN	SÍ	12
FF	Tapa	04LOWEWH-CA	SÍ	4
GG	Pasador de repisa	06SHLFPIN6X17-NI	SÍ	8
HH	Cubierta de PVC	04LOWEWH-PC	SÍ	8
II	Perno de 5/32 pulg. x 25 mm	06BLTHDPHI4X25-ZN	SÍ	4
JJ	Mango	04LOWEWH-H	SÍ	2
KK	Bisagra para puerta	06EUHG35CCASC95O	SÍ	4
LL	Tornillo M4 x 12 mm	06SCFLHDM4X12-NI	SÍ	28
MM	Tope de puerta	06DOORSTOPPER	SÍ	2
NN	Ancla de expansión para panel de yeso	06TSDWANANCHOR	SÍ	1
OO	Tornillo M5 x 55 mm	06SCPNHDM5X55-ZN	SÍ	3
PP	Perno de 1/4 pulg. x 38 mm	06BOLTFH1/4X38HXD-ZN	SÍ	4
QQ	Llave hexagonal	06HEXWCHM4-ZN	SÍ	1
RR	Sujetador de plástico	06PLCCLPKT	SÍ	12



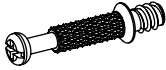
LISTA DE PIEZAS DE REPUESTO

Para obtener piezas de repuesto, llame a nuestro Departamento de Servicio al Cliente al **877-888-8225**, de lunes a domingo de 8 a.m. a 8 p.m., hora estándar del Este, o escriba al correo electrónico asc@lowes.com.

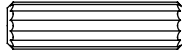
AA



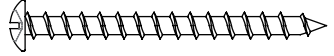
BB



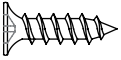
CC



DD



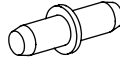
EE



FF



GG



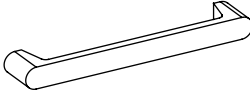
HH



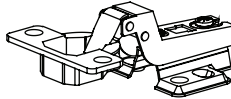
II



JJ



KK



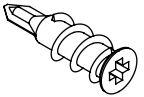
LL



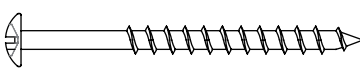
MM



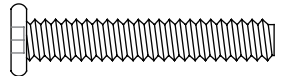
NN



OO



PP



QQ



RR

