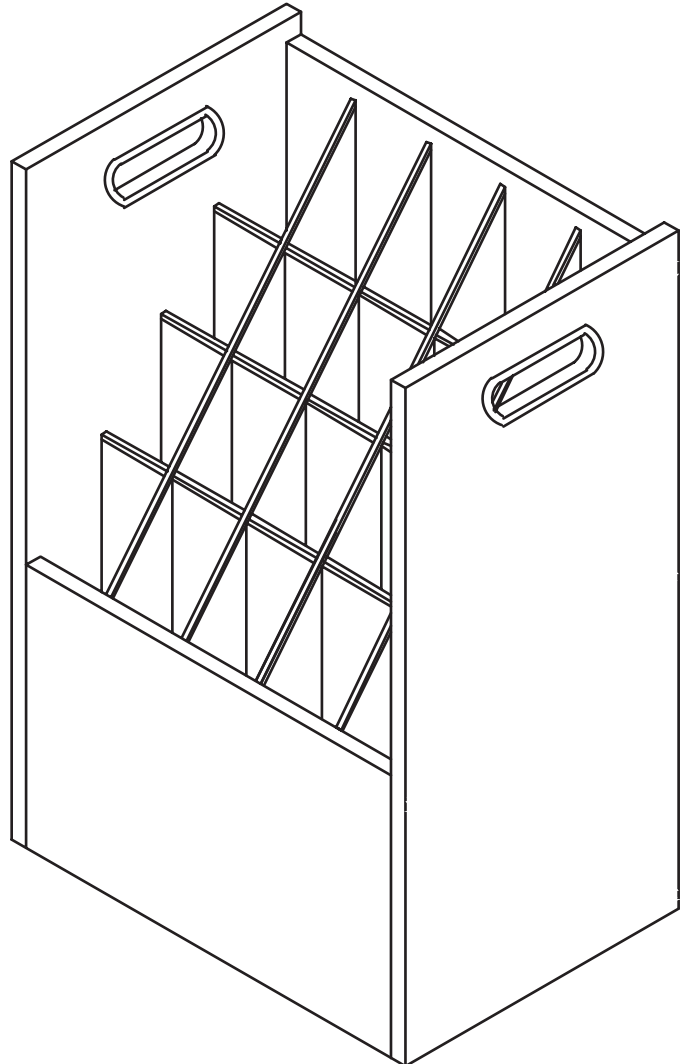




Mobile, Wood

# Roll File

with 20 Compartments



ADI624

**USER GUIDE**



# Thank you for your purchase.

.....

**AdirOffice has a commitment to  
deliver quality and stylish office  
furniture and equipment.**

.....

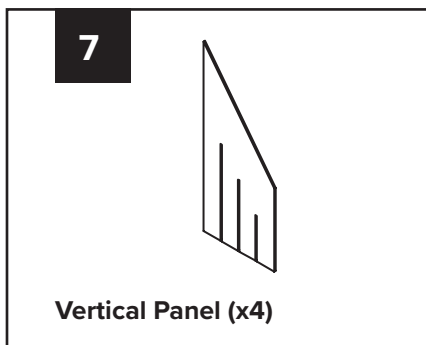
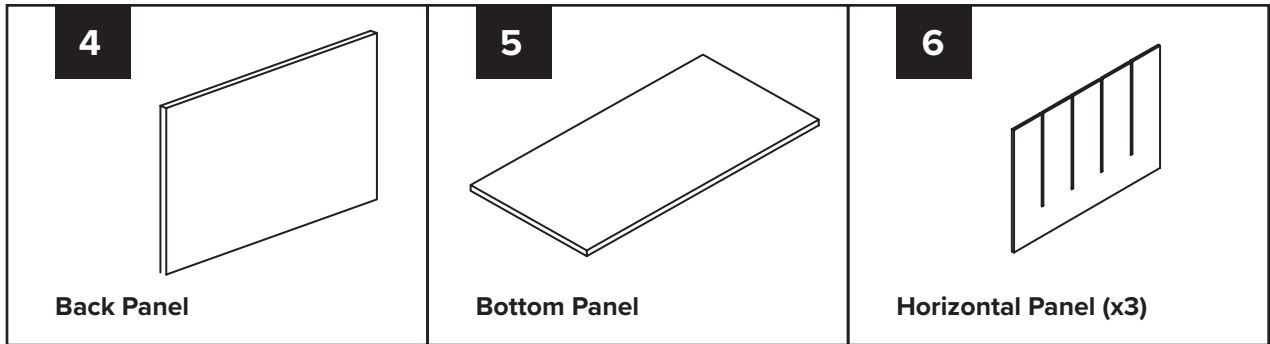
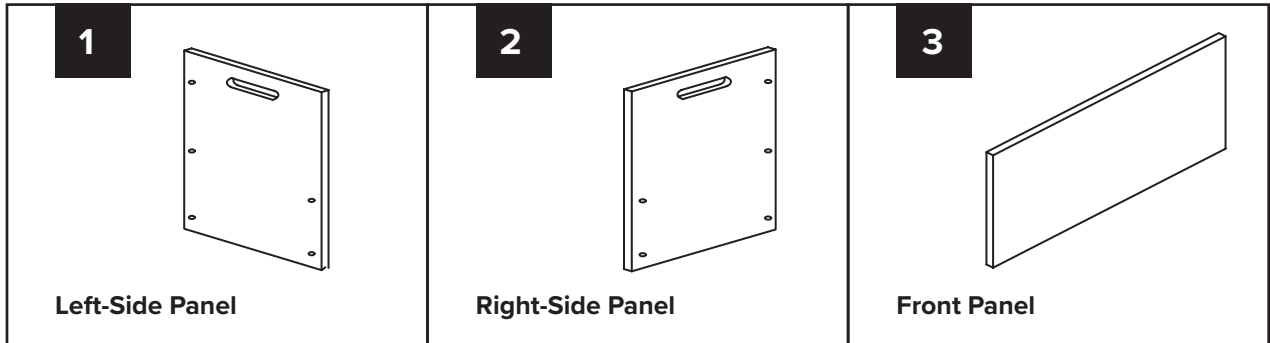
We understand starting and maintaining a business is expensive enough.  
We can help you make it cost effective and beautiful. Plus, our expert team  
makes sure everything you need works as efficiently as possible.

# Table of Contents

- 1** Parts and Hardware
- 3** Assembly Instructions
- 11** Warranty

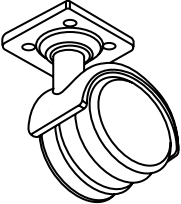


# Parts and Hardware

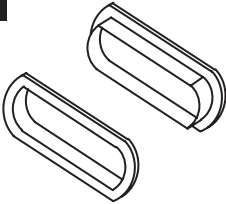

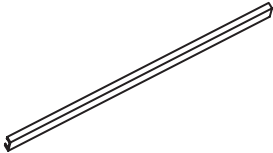
## Parts:

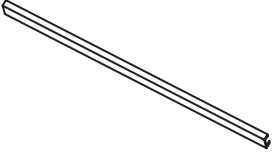


# Parts and Hardware

## Hardware:

<p><b>A</b></p>  <p>Caster Wheel (x4)</p>	<p><b>B</b></p>  <p>M3.5 x 10 mm Screw (x16)</p>	<p><b>C</b></p>  <p>M4 x 45 mm Screw (x10)</p>
--	---	---

<p><b>D</b></p>  <p>Handle (x2)</p>	<p><b>E</b></p>  <p>Screw Hole Cover (x10)</p>	<p><b>F</b></p>  <p>Horizontal Edge Channel (x3)</p>
---	--	--

<p><b>G</b></p>  <p>Vertical Edge Channel (x4)</p>
---

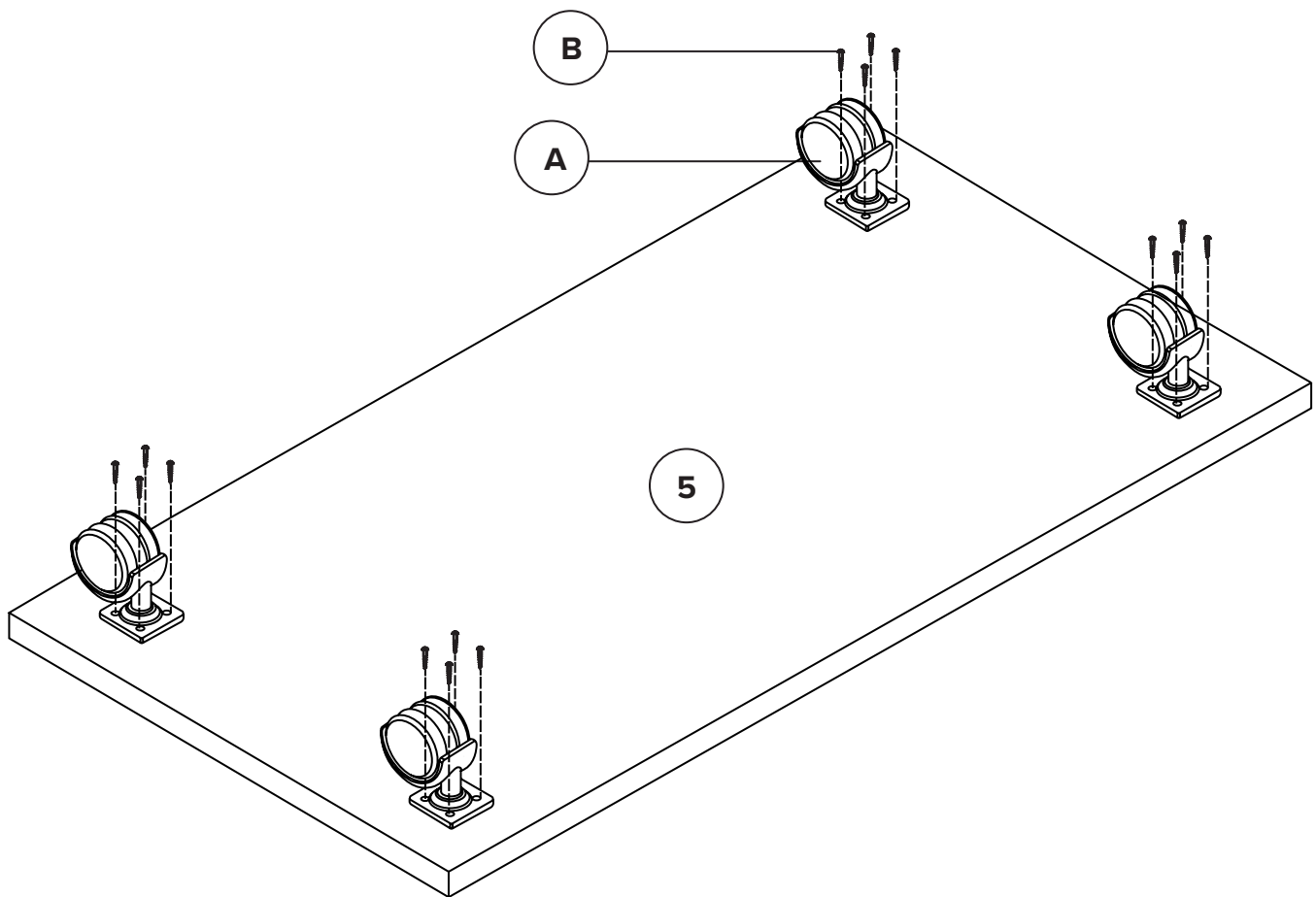
## Tools Required (But Not Included)

- Screwdriver

# Assembly Instructions

## STEP 1

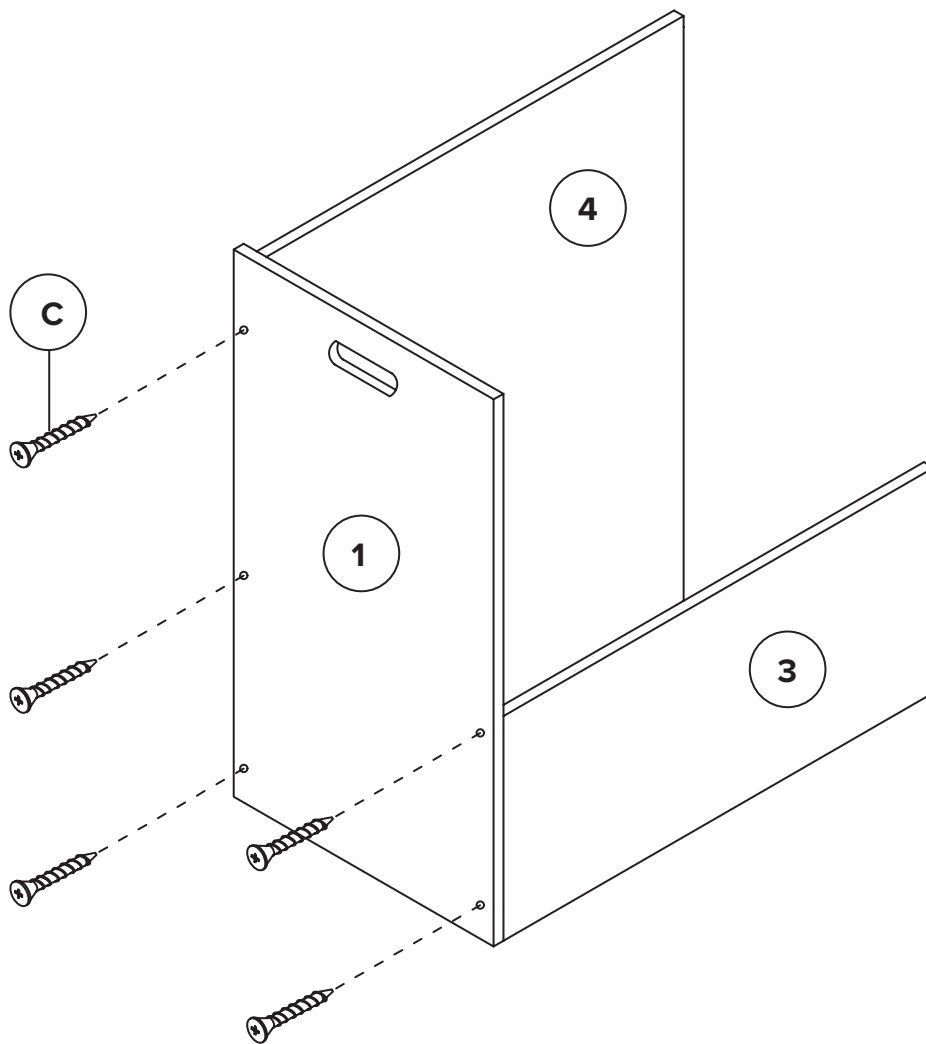
- A. Lay the Bottom Panel (5) on a flat, clean surface with the 16 pre-drilled holes facing up.
- B. Take the 4 Caster Wheels (A) over the pre-drilled holes, insert the 16 M3.5 x 10 mm Screws (B) and tighten them using a screwdriver.



# Assembly Instructions

## STEP 2

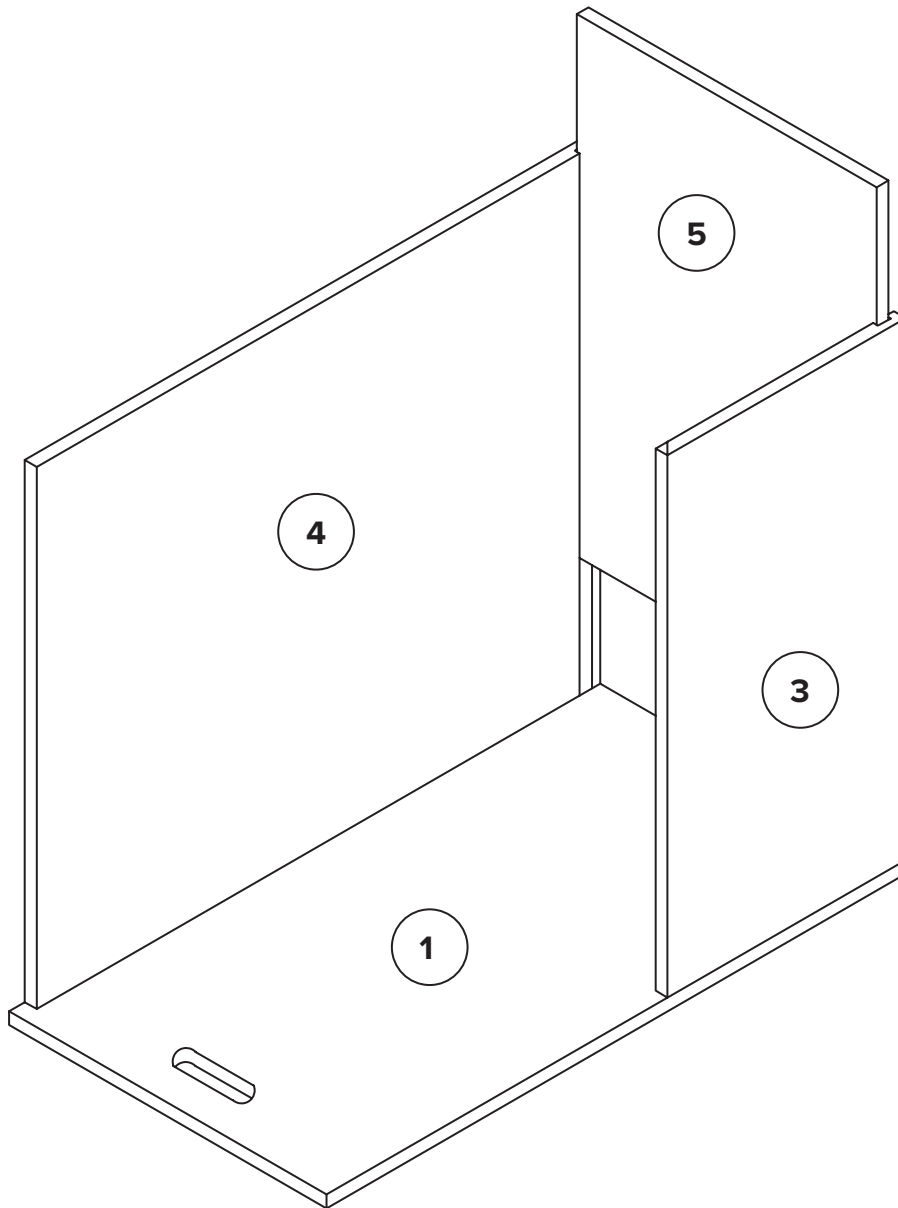
- A. Line up the Left-Side Panel (1), the Front Panel (3), and the Back Panel (4), as pictured.
- B. Insert 5 M4 x 45 mm Screws (C) into the pre-drilled holes and tighten them with a screwdriver.



# Assembly Instructions

## STEP 3

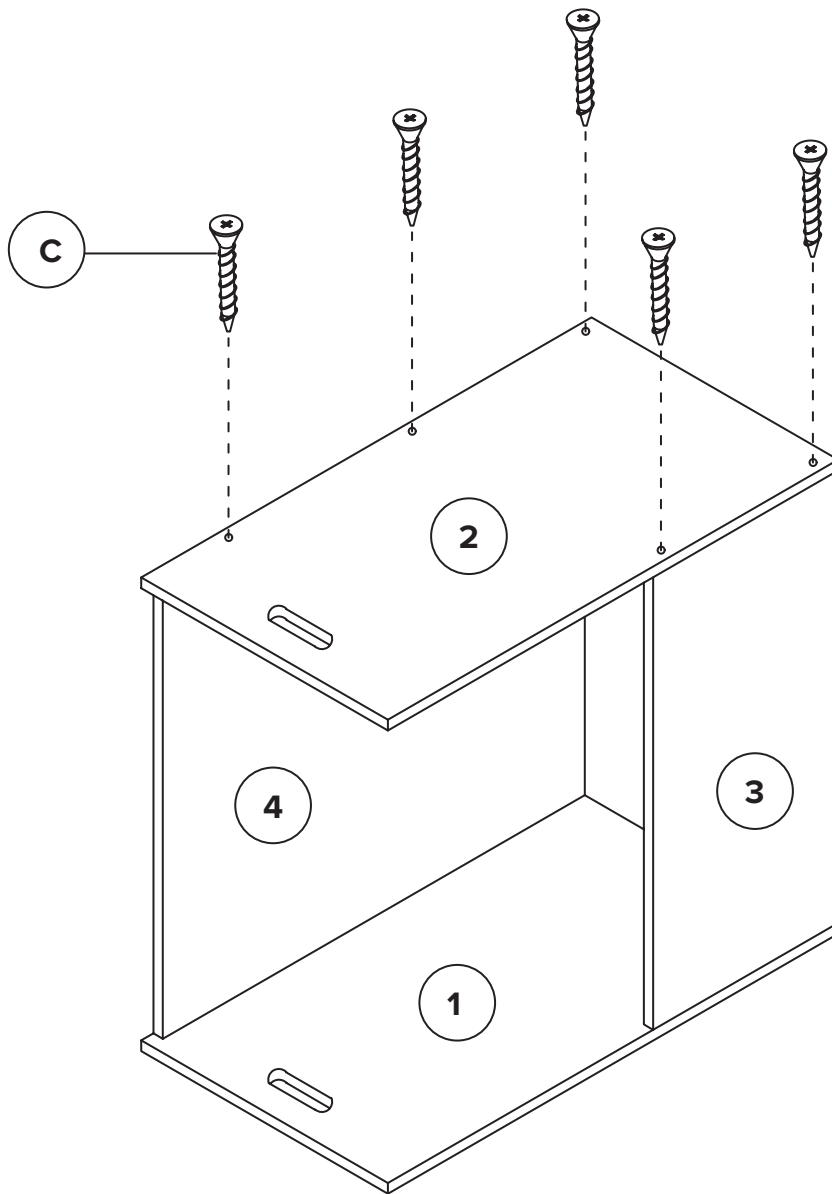
- A. Slide the Bottom Panel (5) between the Left-Side Panel (1), the Front Panel (3), and the Back Panel (4).



# Assembly Instructions

## STEP 4

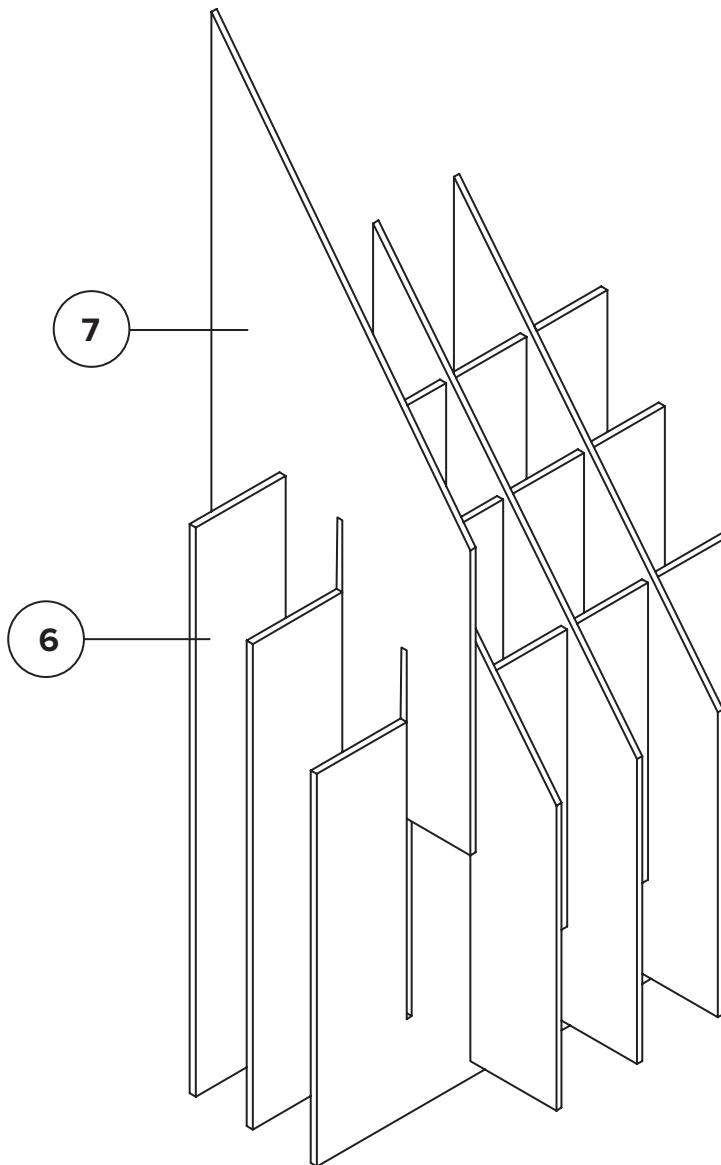
- A. Place the Right-Side Panel (2) over the assembled structure, as pictured.
- B. Insert 5, M4 x 45 mm Screws (C) into the pre-drilled holes and tighten with a screwdriver.



# Assembly Instructions

## STEP 5

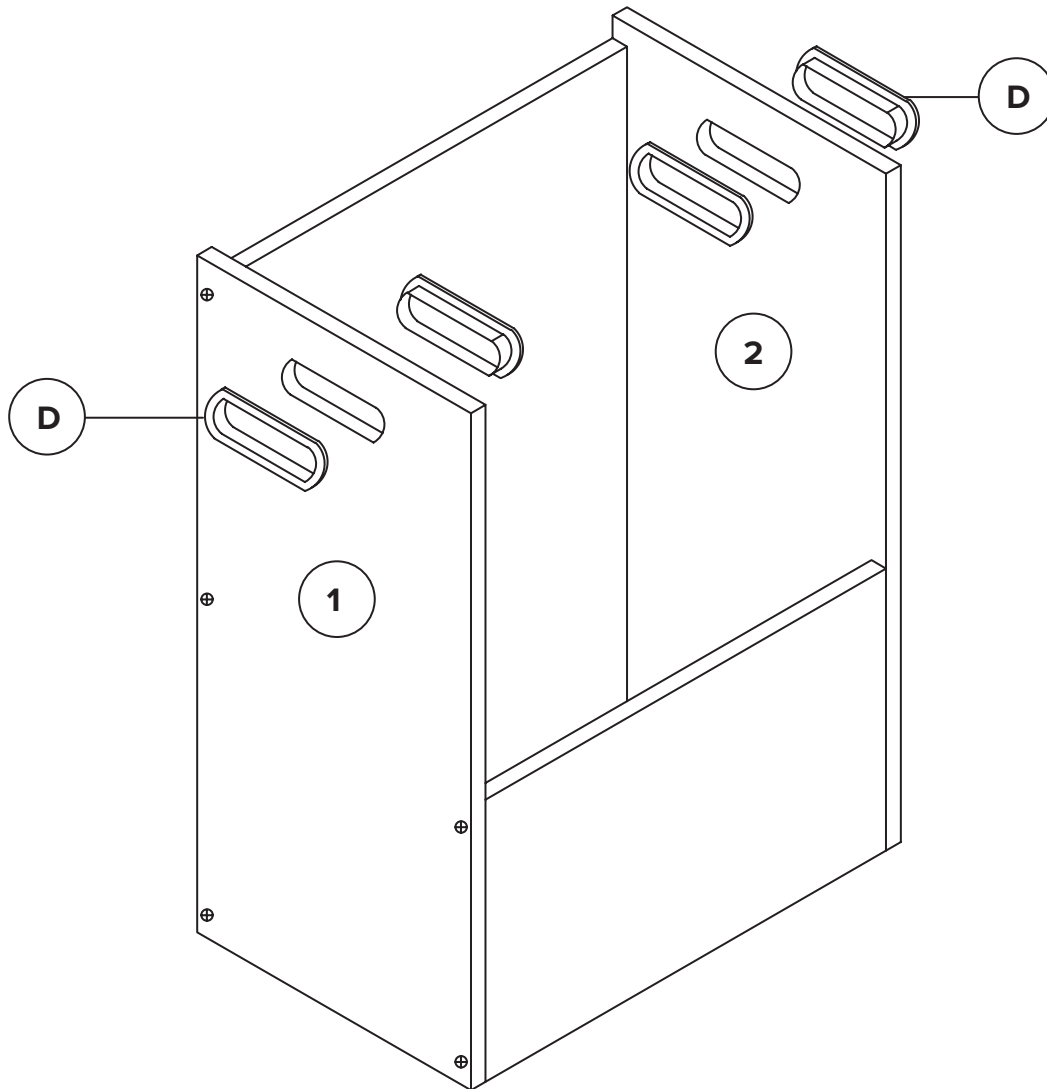
- A. Take the 3 Horizontal Panels (6) and have their open slots facing up.
- B. Slide all 4 Vertical Panels (7) in the open spaces of the Horizontal Panels (6).



# Assembly Instructions

## STEP 6

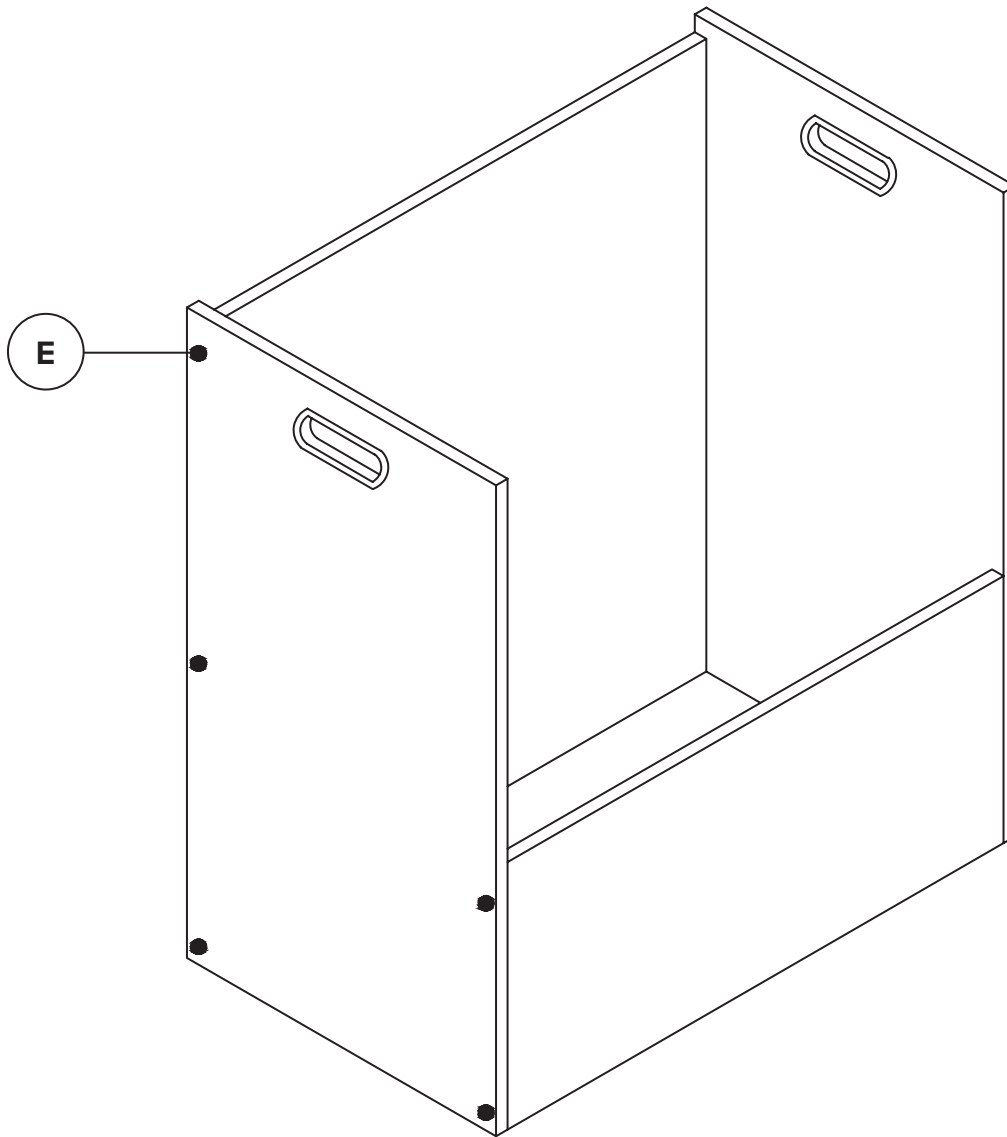
- A. Take the 2 Handles (D) and push them into the pre-cut holes on the sides of the Left-Side Panel (1) and the Right-Side Panel (2) by applying light pressure.



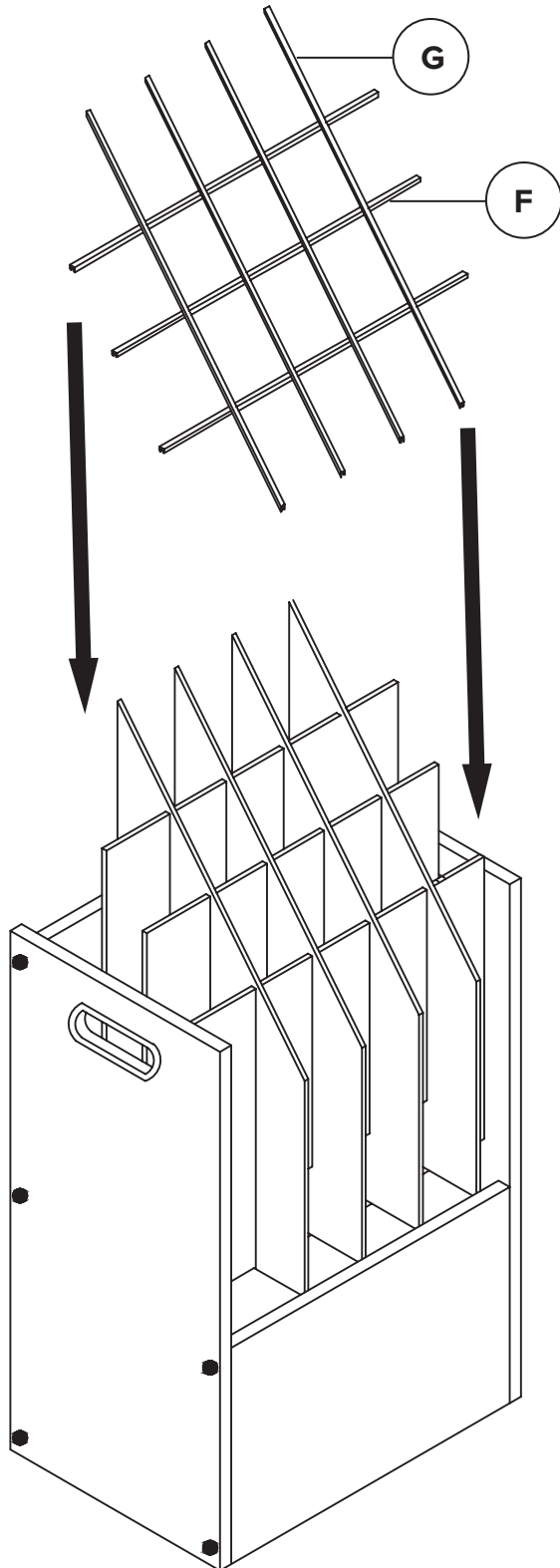
# Assembly Instructions

## STEP 7

A. Place the Screw Hole Cover's (E) into all of the screw holes and apply light pressure.



# Assembly Instructions

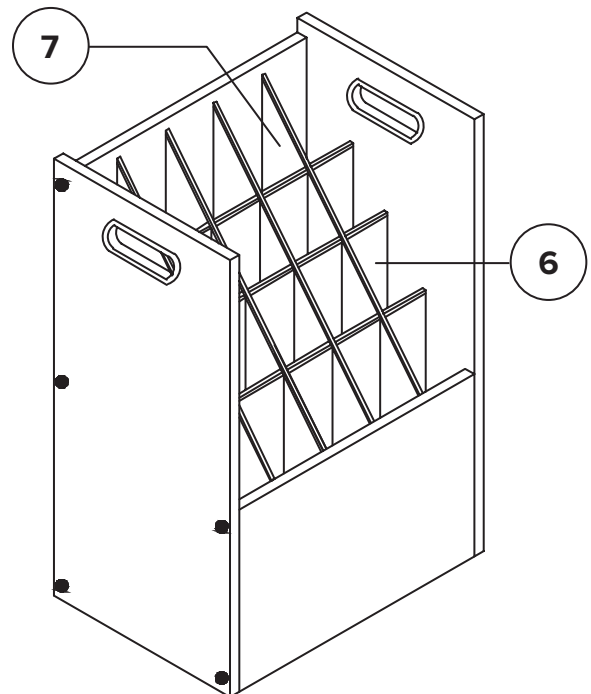


## STEP 8

- A. Take all 3 Horizontal Edge Channel's (F), lay them on a flat, clean surface.
- B. Place all 4 Vertical Edge Channel's (G) on top and lightly push them into place, as pictured.
- C. Once assembled, place the whole structure in-between the Left-Side Panel (1) and the Right-Side Panel (2).

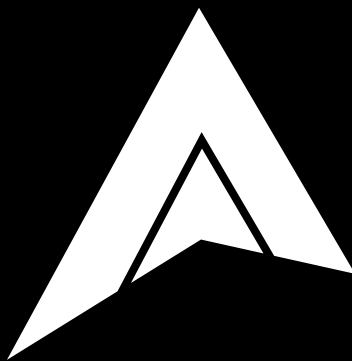
## STEP 9

- A. Place the assembled edge channel's on top of the built structure of the Horizontal Panels (6) and the Vertical Panels (7).



# Limited Warranty

1. Adir Corp (the "Company" or "Tiger Companies") warrants to the purchaser that the product will be free from defects in workmanship and materials for a period of 6 months from the date of purchase. The warranty period is not extended if we repair, replace, exchange, or provide a refund for the product (as determined in our sole discretion). We may change the availability of this limited warranty at our discretion, but any changes will not be retroactive.
2. These warranties are not assignable or transferable to any other person, including, without limitation, any subsequent owner or other transferee of the product.
3. This Warranty does not apply to: (a) damage caused by misuse, tampering, abuse, neglect, or accident; (b) damage caused by improper installation, modification, or service; (c) alteration of the serial number; or (d) use that violates the instructions furnished by the Company will void this warranty.
4. The sole responsibility of the Company shall be limited to (a) the repair or replacement (in its sole discretion) of any component of the product which fails to conform to this; (b) a refund the purchase price of such product (in its sole discretion), at no cost to the purchaser for the period of the warranty, or (c) an exchange for a similar product, comparable in function and price.
5. Contact the Company directly at 1-(800)-805-1790 to obtain service under this warranty. If it becomes applicable to send a defective product to the Company, a Return Authorization Number must first be obtained from the Company. In order to obtain service under this warranty, purchaser may be required to provide the Company with the following items (a) proof of purchase, (b) photographs and or videos (of the damage, and (c) a written testimonial describing the defect.
6. Products shipped without prior Return Authorization and Return Authorization Number may not be accepted, and the Company will not be responsible for their disposition and/or cost of return to the owner.
7. The Company will not assume any responsibility for any loss or damage incurred in shipping and or delivery.
8. The product(s) must be returned within 14 calendar days of receiving the return authorization from the Company and must include the original proof of purchase for the warranty to be honored.
9. Any implied warranties that the purchaser may have are limited to the duration of the warranties described above. There are no further warranties that extend or apply beyond the face hereof, and the Company expressly disclaims and excludes any and all warranties of merchantability or fitness for a particular purpose. Some states do not allow limitations on how long an implied warranty lasts, so the above limitation may not apply to you.
10. THE REMEDIES DESCRIBED ABOVE ARE YOUR SOLE AND EXCLUSIVE REMEDIES AND THE COMPANY'S ENTIRE LIABILITY FOR ANY BREACH OF THIS LIMITED WARRANTY. OUR LIABILITY SHALL UNDER NO CIRCUMSTANCES EXCEED THE ACTUAL AMOUNT PAID BY YOU FOR THE DEFECTIVE PRODUCT, NOR SHALL WE UNDER ANY CIRCUMSTANCES BE LIABLE FOR ANY CONSEQUENTIAL, INCIDENTAL, SPECIAL OR PUNITIVE DAMAGES OR LOSSES, WHETHER DIRECT OR INDIRECT. SOME STATES DO NOT ALLOW THE EXCLUSION OR LIMITATIONS OF INCIDENTAL OR CONSEQUENTIAL DAMAGES, SO THE LIMITATION MAY NOT APPLY TO YOU.
11. This warranty gives you specific legal rights, and you may also have additional rights which vary from state to state.



ADI624

© 2023 AdirCorp

**[adircorp.com](http://adircorp.com)**