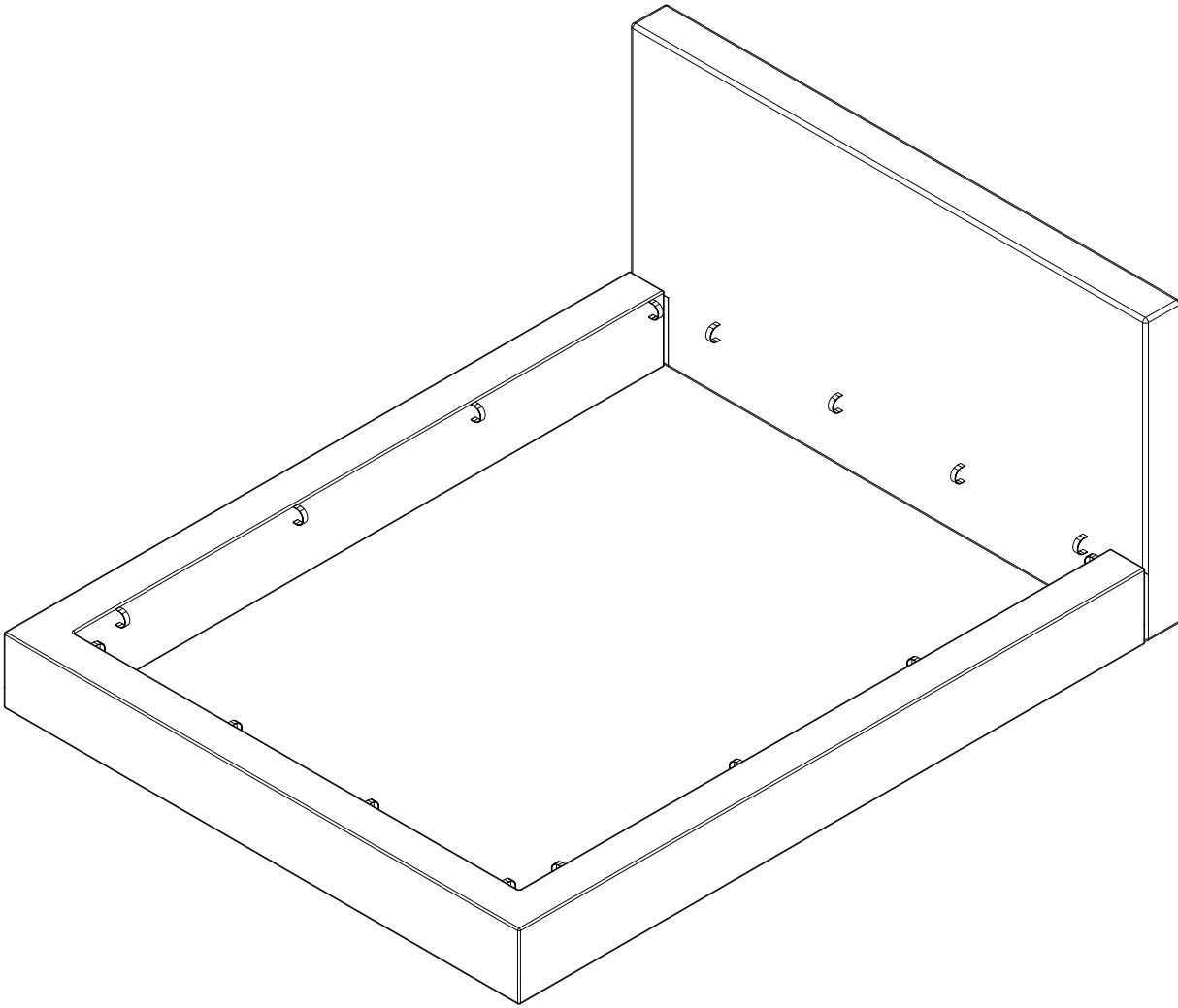
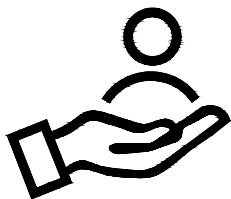


Assembly Instructions

US-BED224AQ



“



Warm Reminder

If you experience any issues with our product (including missing parts, damage, installation issues, or not meeting expectations), please contact us. We'll ensure satisfactory assistance within 24 hours.

”



General Guidelines

- Please read the following instructions carefully and use the product accordingly.
- Please keep this manual and hand it over when you transfer the product.
- This summary may not include every detail of all variations and considered steps. Please contact us when further information and help are needed.

Notes

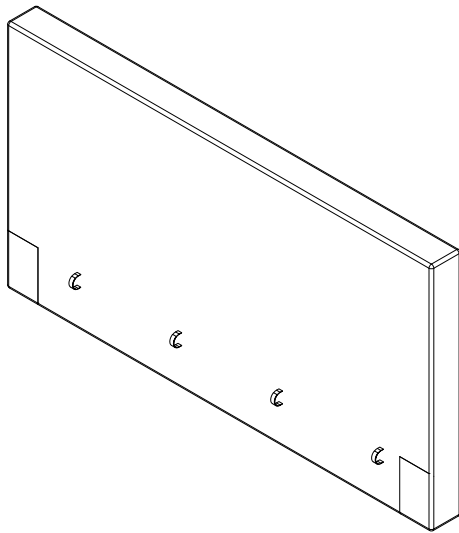
- The product is intended for indoor use only. The product must be assembled and used in accordance with the provisions of the manual. Personal injury and / or damage to the product may occur if products are used outside of their intended purposes and/or if products have been changed/modified from their original design.
- The seller does not assume any responsibility or liability with respect to any injury/damage caused by incorrect assembly or improper use.
- Avoid long-term exposure to humid environments to prevent mildew.
- Keep the product away from fire sources and high temperatures. Do not expose the product to direct sunlight.
- Do not place any hot objects on the surface of the product.
- If there are any defective or missing parts after unpacking, please cease assembly immediately and contact us.
- Please assemble the item on a spacious surface and do not place the unwrapped product directly on the ground to avoid product damage.
- Please wear gloves during the assembly and/or disassembly process to avoid scratches from any sharp edges.
- Please match the corresponding part and fitting based on the part number in the manual.
- If the part does not match with the fitting, please check the piece as specified in this manual.
- If you accidentally spill water or another liquid on the surface, immediately wipe clean with a dry towel.
- Please keep the product away from sharp, pointed objects and corrosive substances to prevent product damage.
- Please place this item on level, solid ground during use.

Warnings

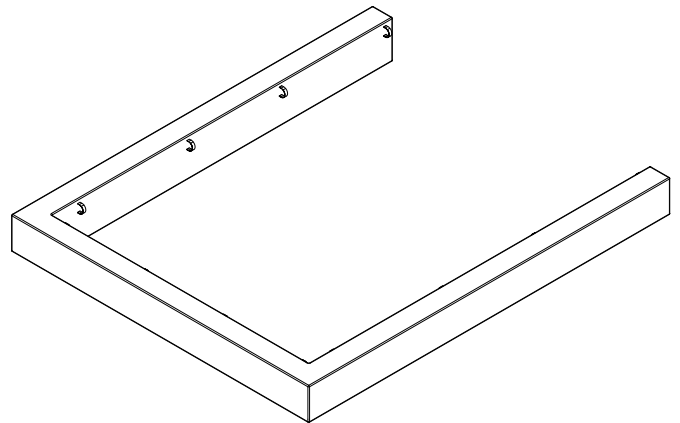
- During assembly, keep all small parts out of the reach of children. It may be fatal if swallowed or inhaled.
- Children should not climb or play on the product in order to avoid tipping over the furniture and causing serious injury.
- To avoid the potential dangers of suffocation, please keep all parts and packaging (film, plastic bags, foam, etc.) away from babies and children.
- Keep sharp objects and corrosive items away from the product to avoid any damage or injury.
- Do not shake or move violently during use to avoid tipping over the product.

Hardware list

Unpack the vacuum compression bag to retrieve Component A and Component B

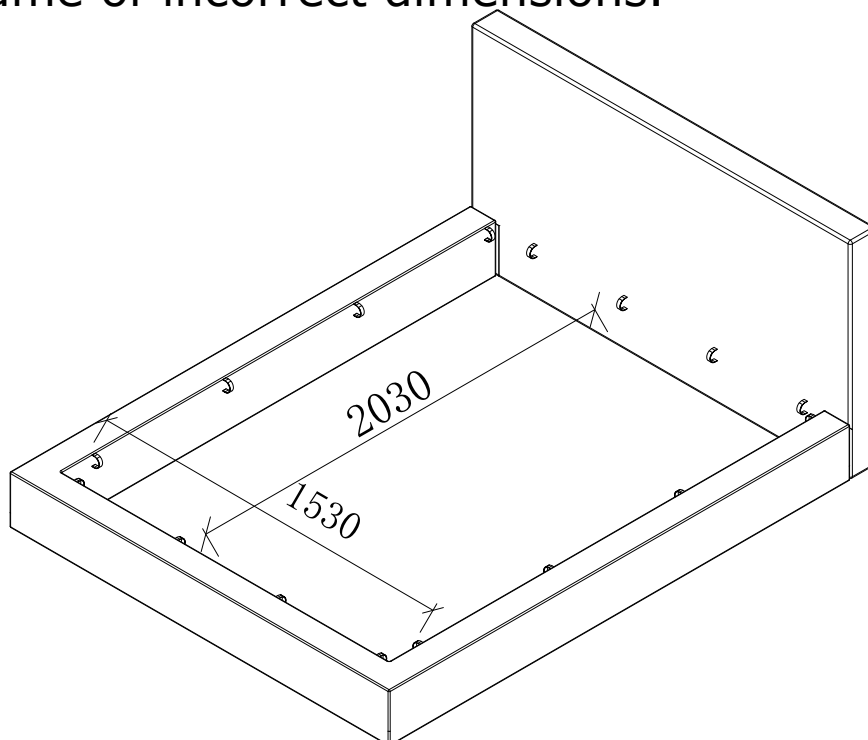


Ⓐ X1



Ⓑ X1

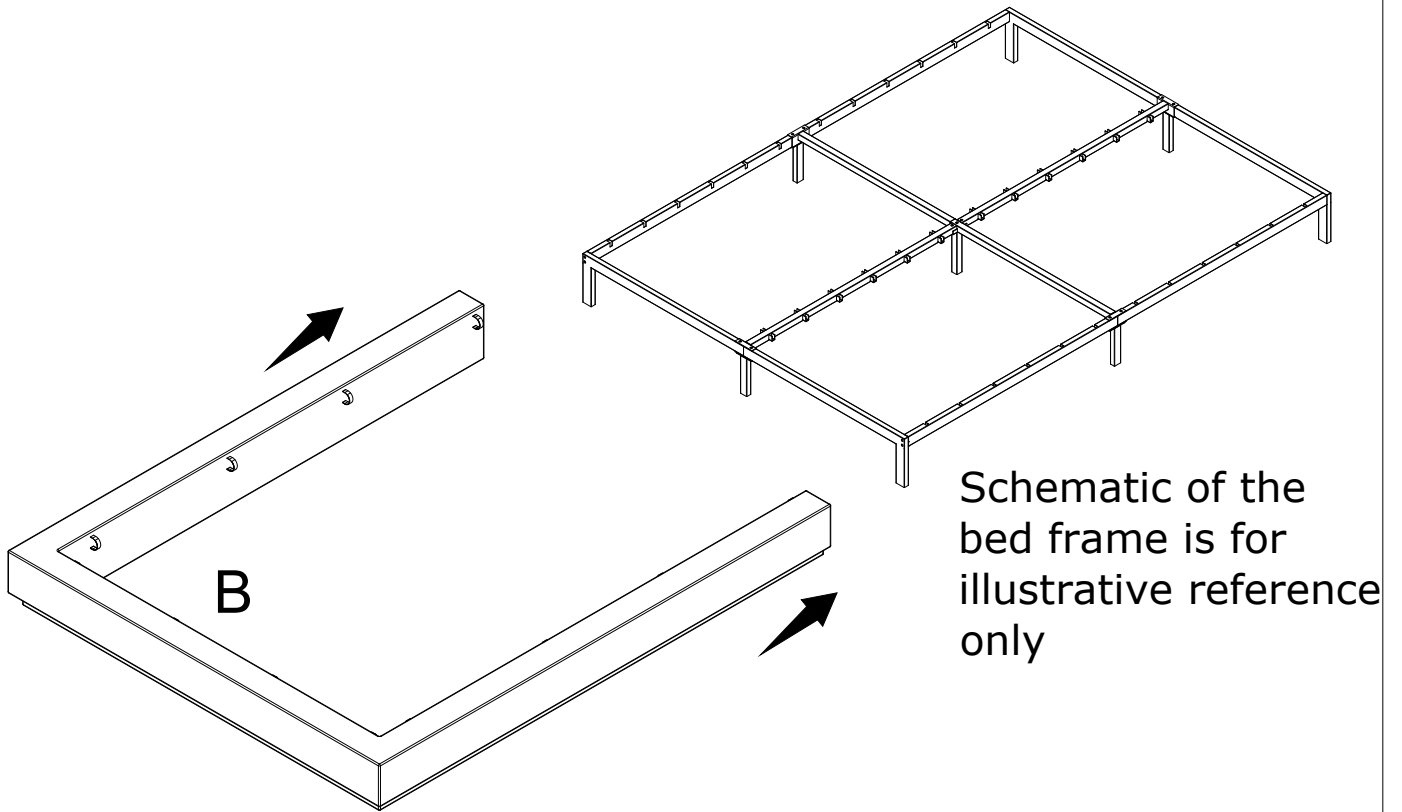
Note the inner clearance dimensions of the sofa and do not use a bed frame of incorrect dimensions.



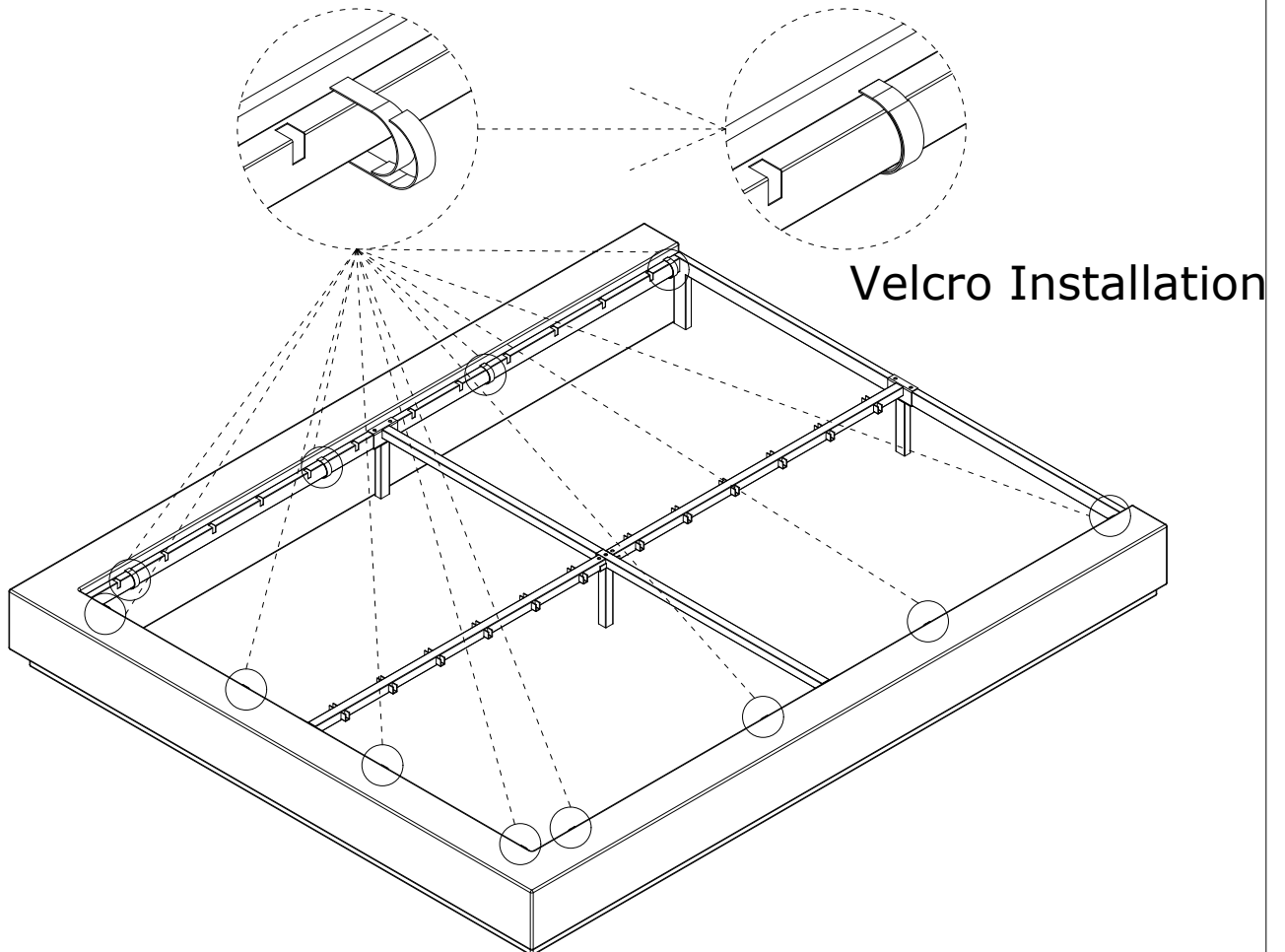
The bed frame is for illustrative purposes only, refer to the actual product for assembly.

1

Unfold Part B, then install to the bed frame

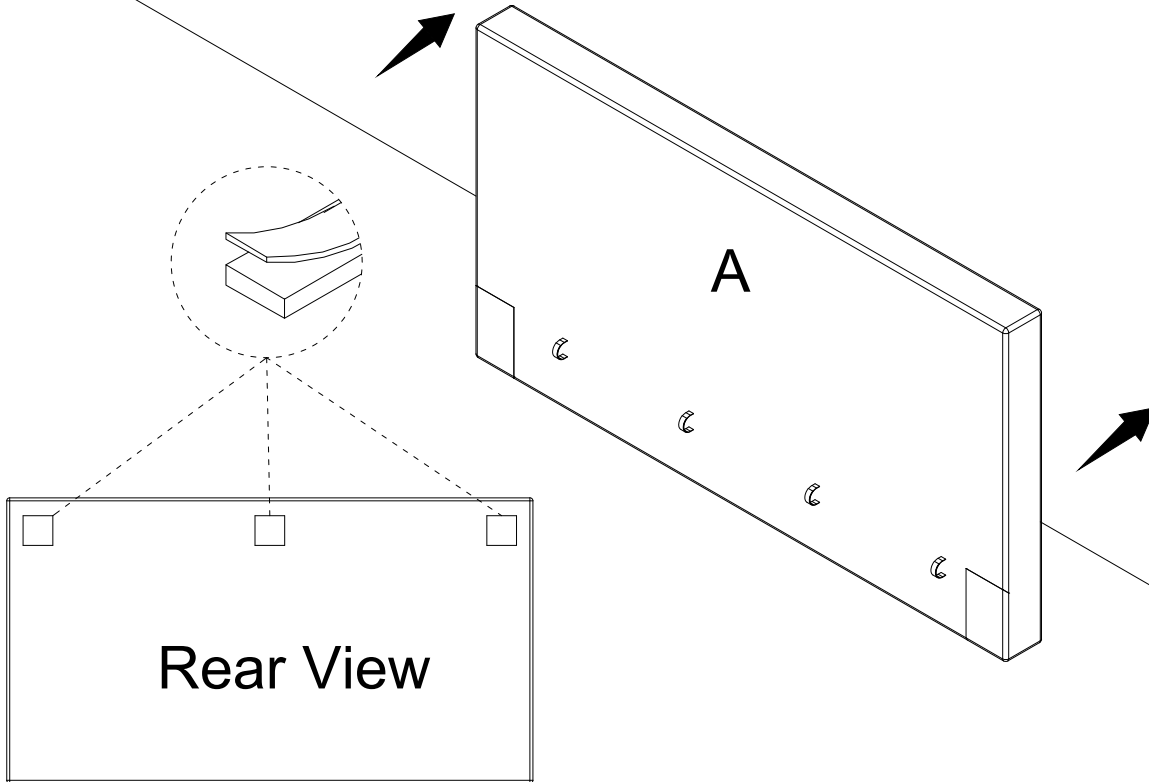


2



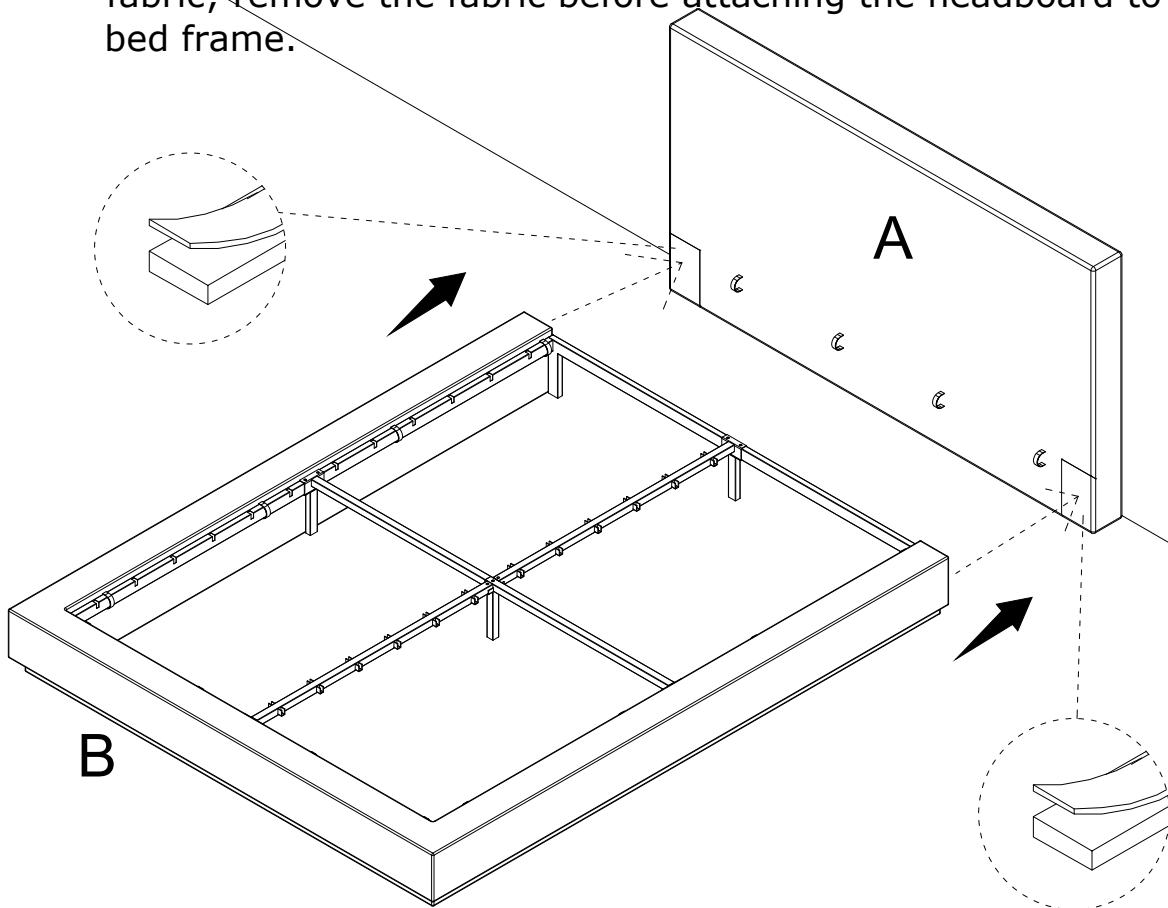
3

Locate a suitable position to install the headboard. When installing the headboard, peel off the three stickers on the top of its back and stick them onto the wall. (Note: Ensure the wall surface is clean and tidy to prevent poor adhesion.)



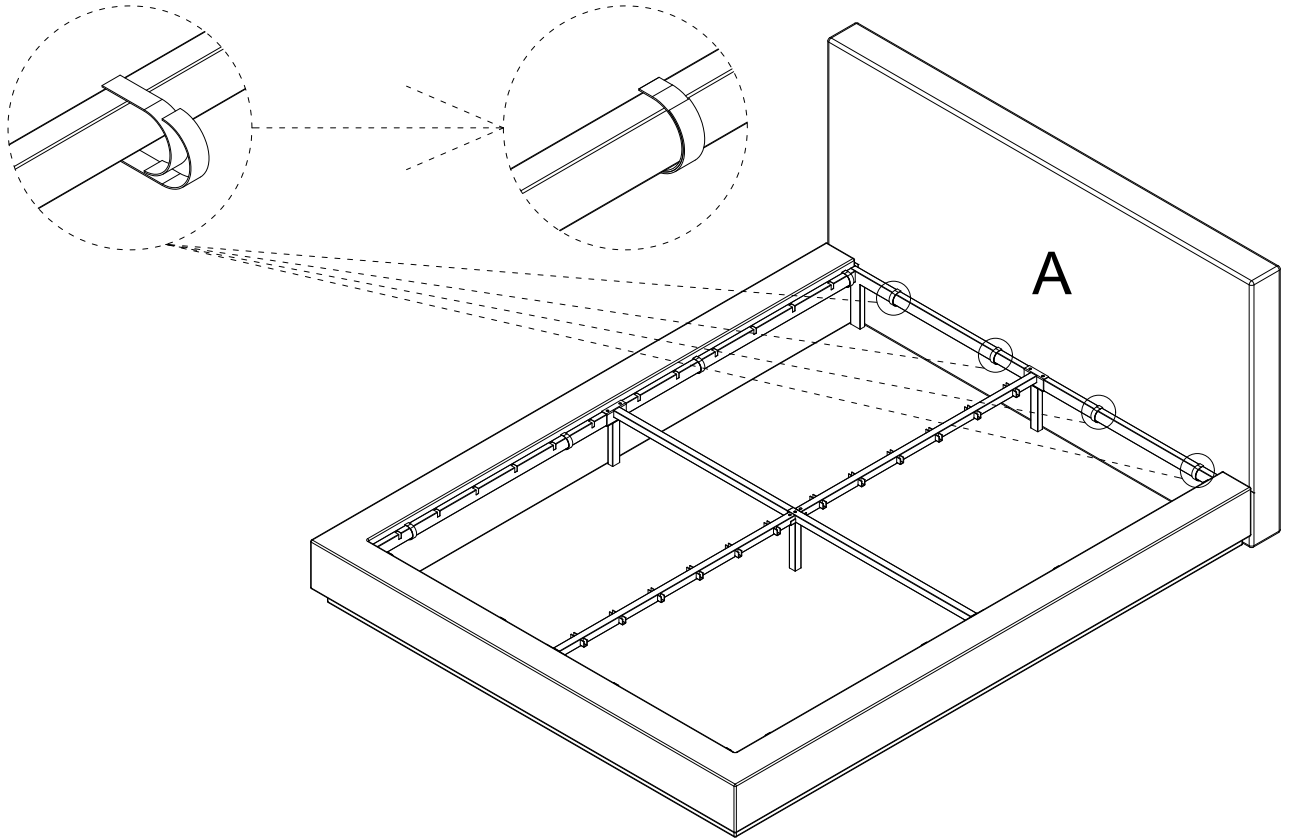
4

Note that the Velcro on the headboard is covered with a protective fabric; remove the fabric before attaching the headboard to the bed frame.



5

Velcro Installation



Complete Assembly

