

Features

- Adjustable mounting brackets to fit specific installation requirements
- Elliptical shape makes the bar easier to grip
- Available in finishes to coordinate with nickel and silver shower door finishes

Material

- Anodized aluminum construction with a durable rustproof and chip-resistant finish

Installation

- Installs from front side of wall

Recommended Products/Accessories

K-23723 Faucet cleaner



Codes/Standards

ASTM F446

STERLING® Grab Bars Ten-Year Limited Warranty

See website for detailed warranty information.

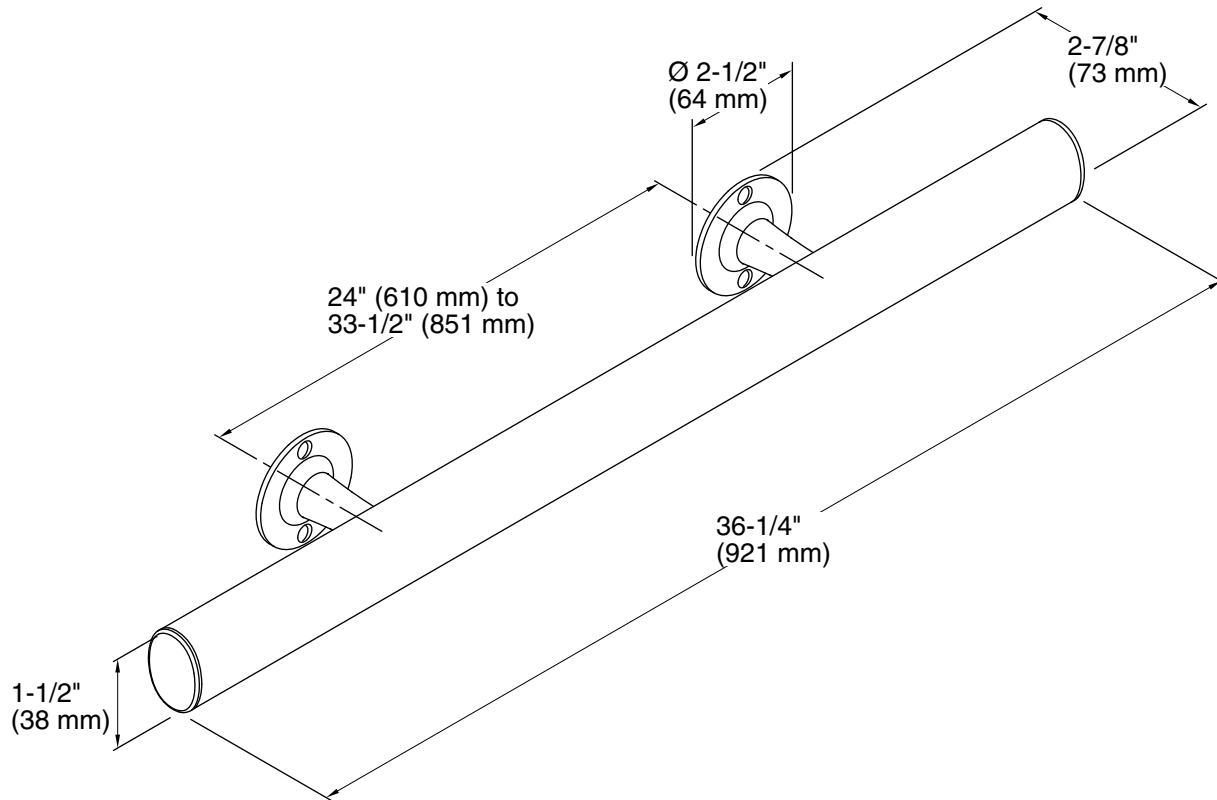
Available Colors/Finishes

Color tiles intended for reference only.

Color	Code	Description
-------	------	-------------

N		Nickel
---	--	--------

V		Matte Silver
---	--	--------------



Technical Information

All product dimensions are nominal.

Material: Anodized Aluminum

Notes

Install this product according to the installation guide.

WARNING: Risk of personal injury. Unless properly installed, the grab bar may not adequately support the weight of the user.

Custom Walls – Fasten grab bar directly to studs when possible. If not possible, install a 1" x 6" blocking board to studs prior to installing wallboard and finished wall material.

Sterling Age-in-Place Surrounds – Obtain backer board locations from the specification sheet for your model to select the appropriate grab bar size.