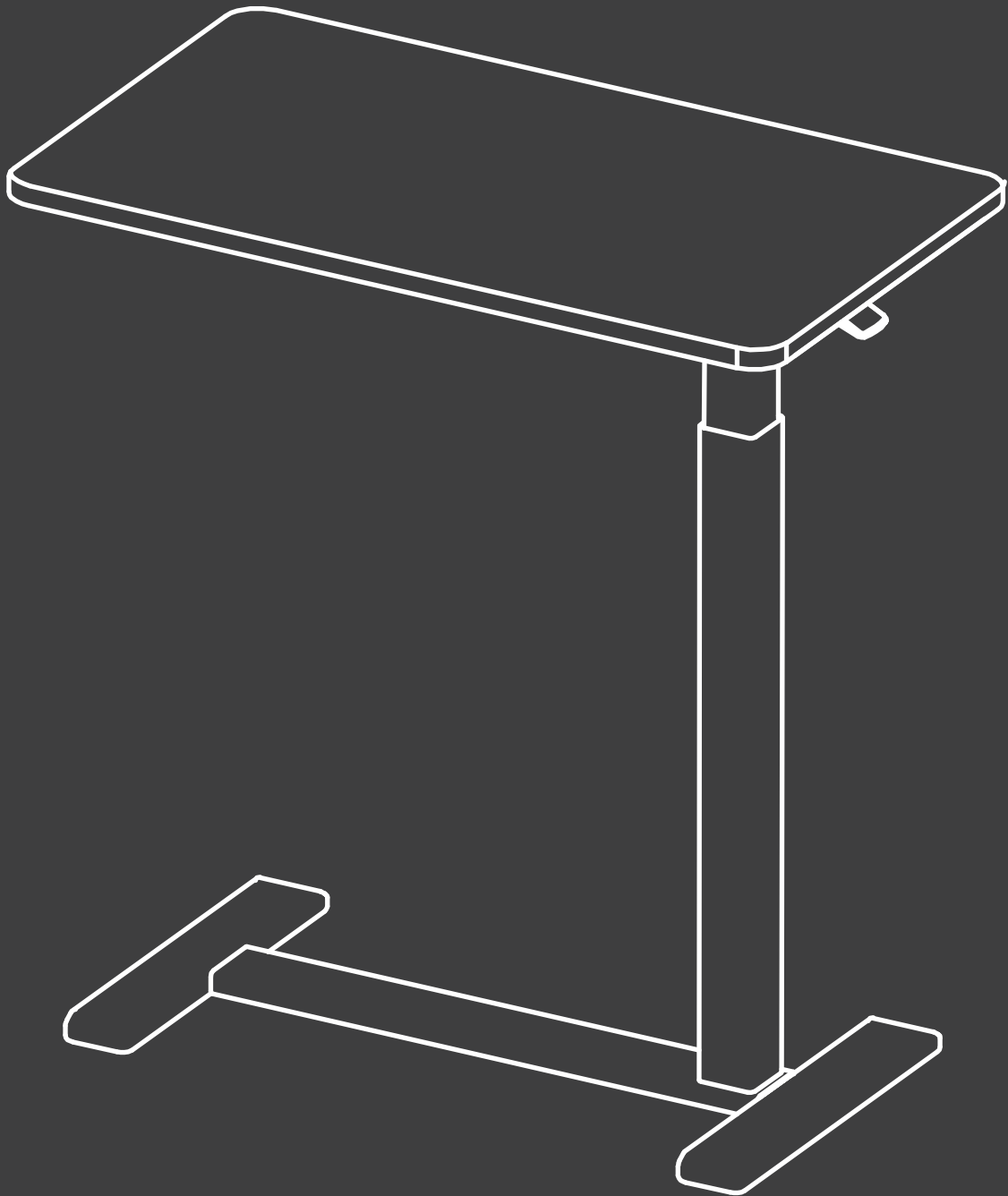


Overbed Table

Instruction Manual

D-CXZ01-BN

D-CXZ01-WT



 EST 9:00AM--17:00PM

 HJ-Customer-Service@outlook.com

 (909)637-7665 | (909)637-7593

1 Component List

A X1

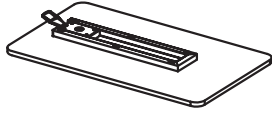
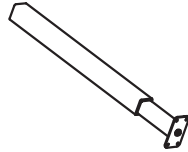


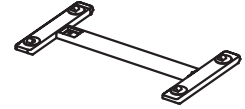
Table Board

B X1



Column

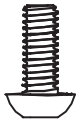
C X1



Bottom Bracket

2 Supplied Parts and Hardware

1 X9



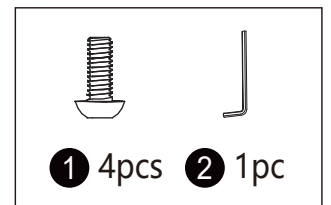
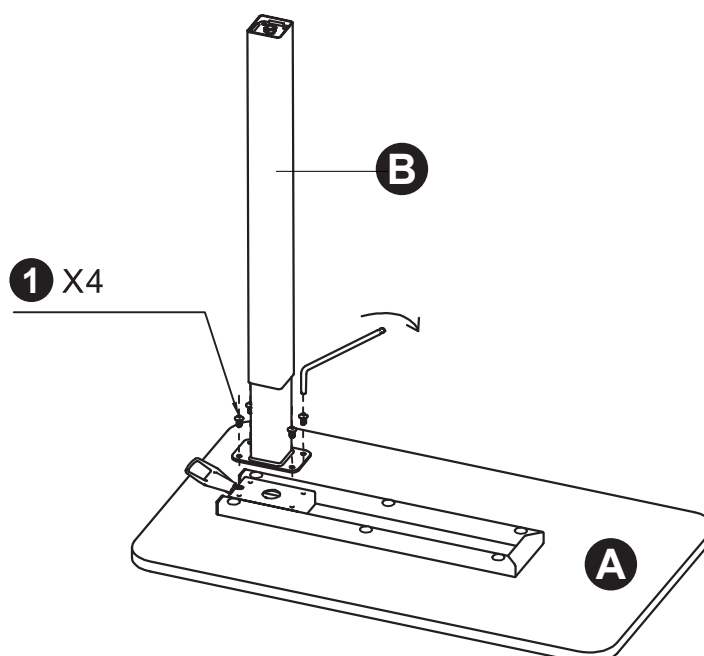
Screw
M6*16

2 X1



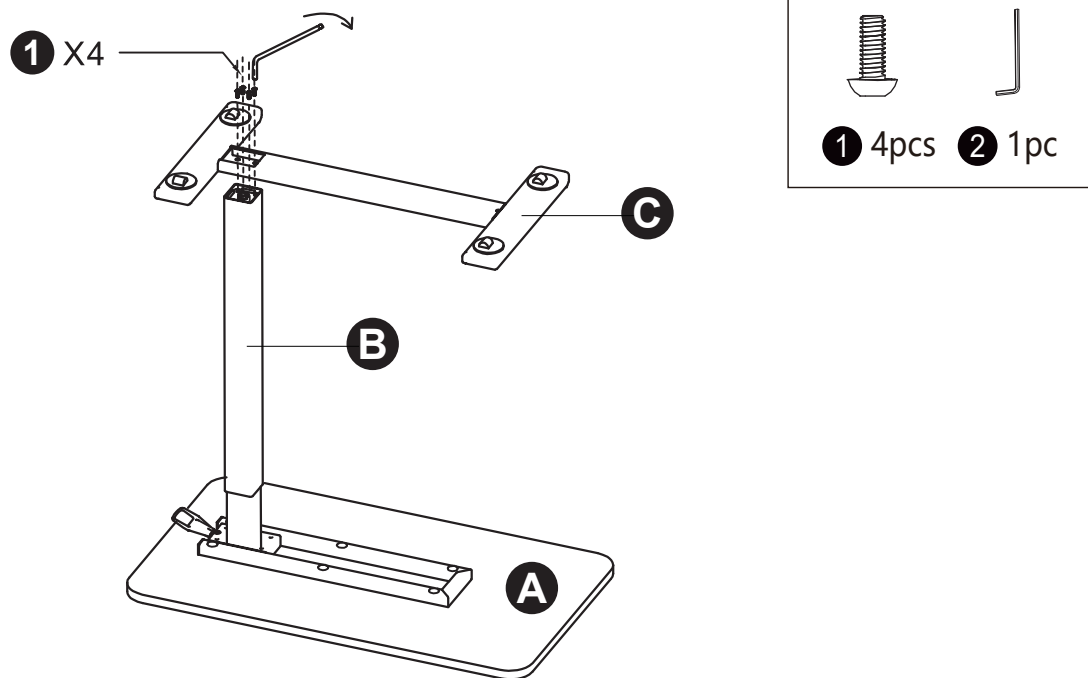
Wrench

Step 1



Use Wrench ② and Screws ①*4 to connect Column B and Table Board A.

Step 2



Use Wrench ② and Screws ①*4 to connect Column B and Bottom Bracket C.

Step 3

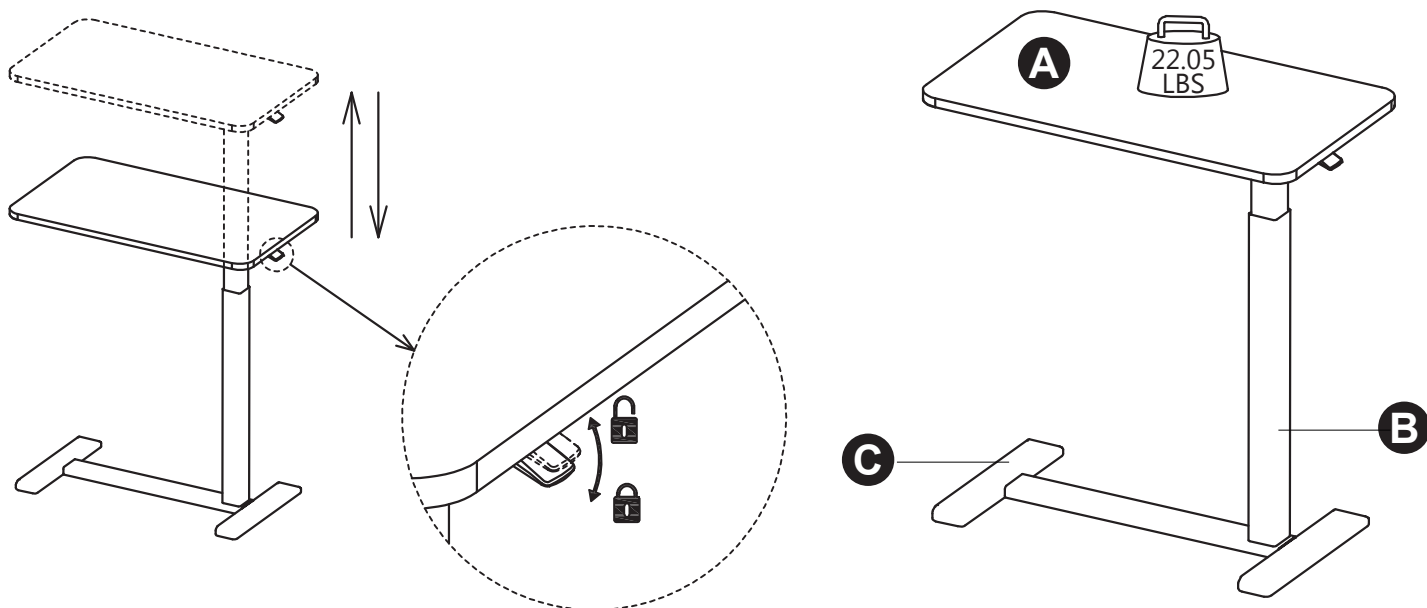
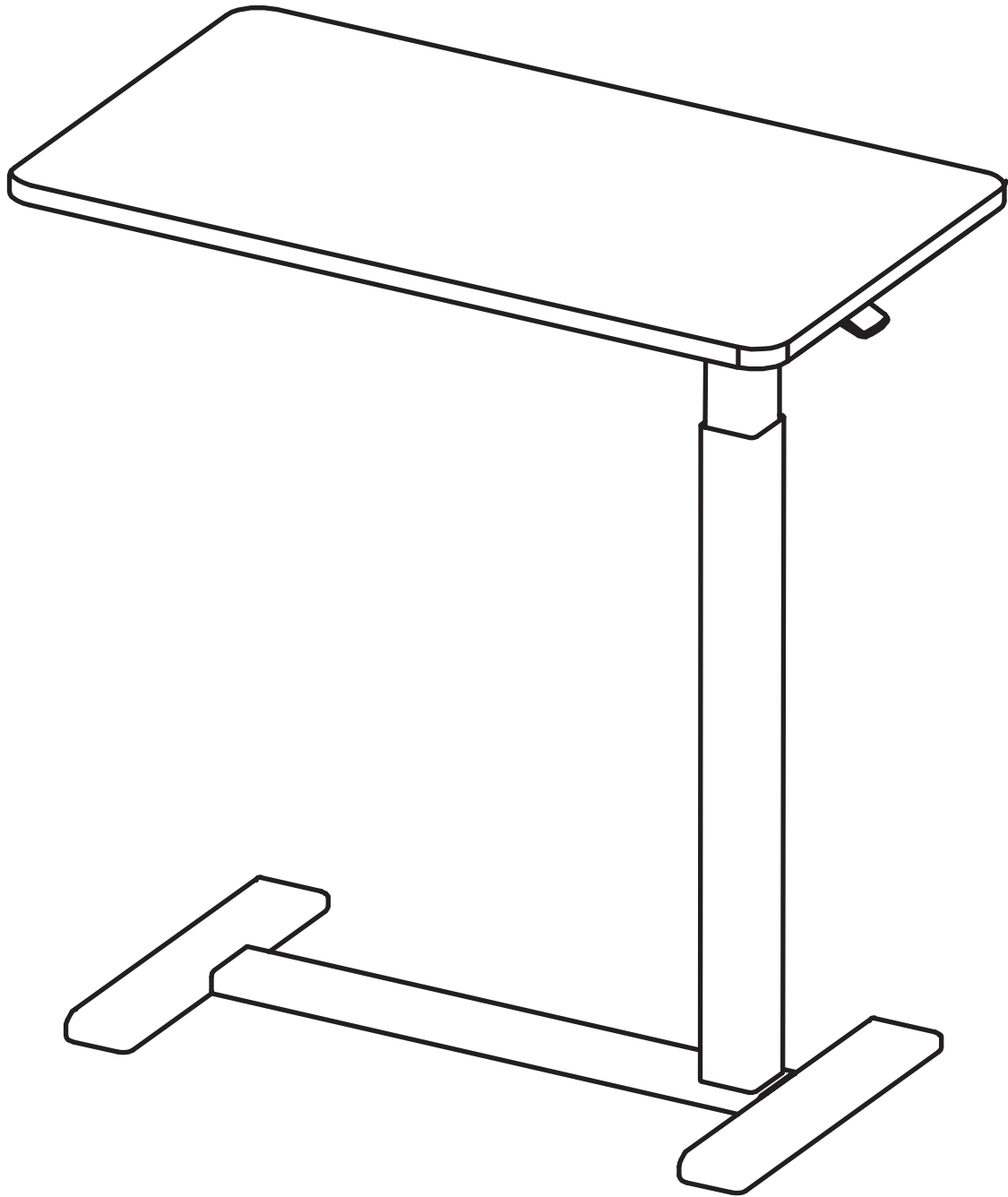


Table height can be adjusted by adjusting the lift handle.

NOTE : Maximum load capacity is 22.05 lbs.



Technical Support

(909)637-7665 | (909)637-7593

Other Info

HJ-Customer-Service@outlook.com

Thank you for choosing this product. We strive to provide you with the best quality products and service in the industry. Should you have any issues, please don't hesitate to contact us.