

# 6-Light Candle Style Wagon Wheel Chandelier

**Caution:** Please turn off power before installation and read the manual carefully, we advise you contact professional electricians to install for safety purpose.

## Product Features

Style: Modern/Contemporary/Farmhouse

Material: Metal, Cotton Rope

Color: Brass/Black

Base Type: E12 Base

Light Source Included: NO

Voltage: 120VAC

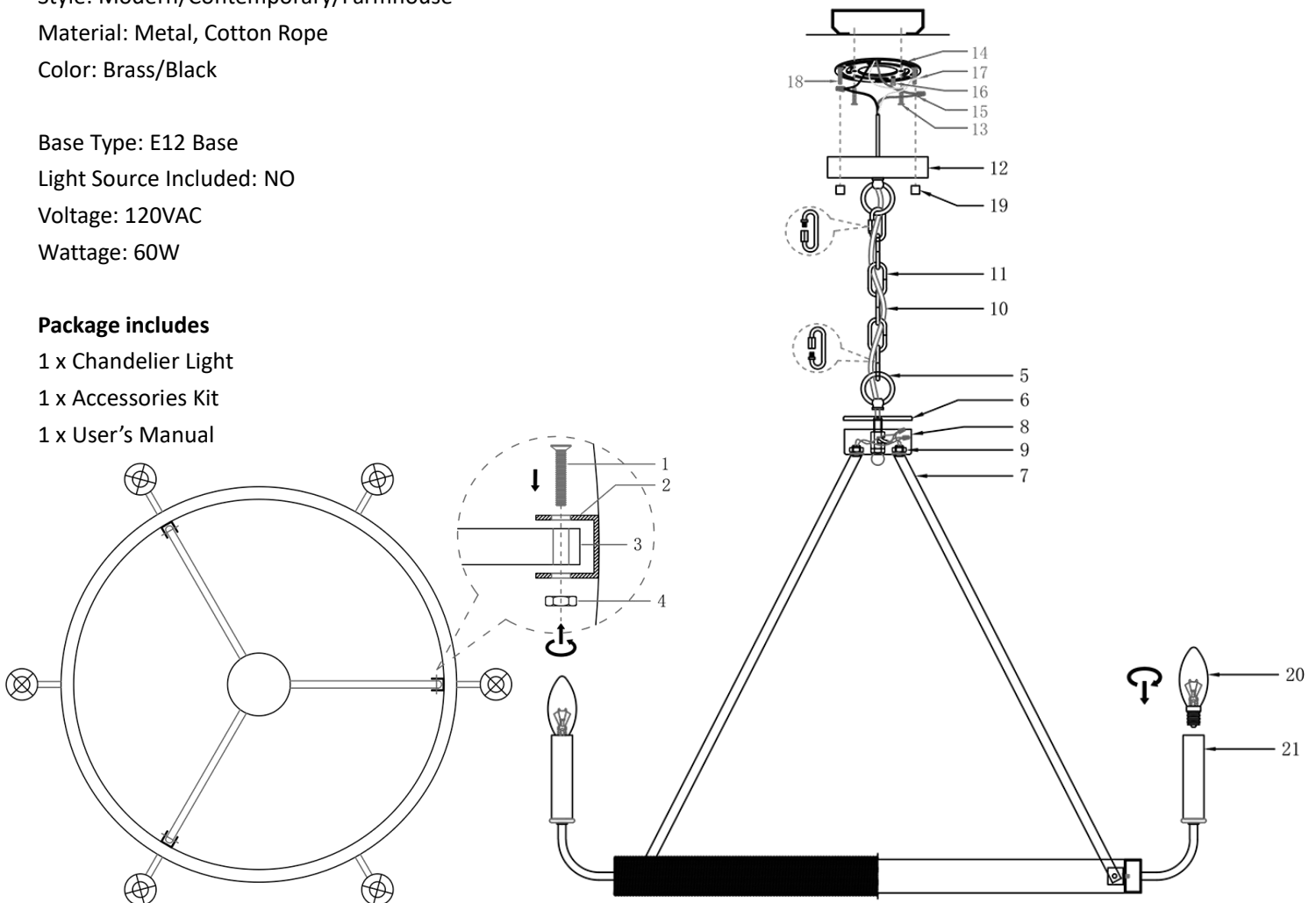
Wattage: 60W

## Package includes

1 x Chandelier Light

1 x Accessories Kit

1 x User's Manual



## Installation Instructions

- Insert the screw (1) through the bracket (2) and fixture arm (3), then secure firmly with the nut (4).
- Unscrew the fixture loop (5) to remove the cover (6). Pass the fixture arm (7) through the opening in the lamp housing (8) and secure it with the nut (9). Reattach the cover (6) and fasten it tightly with the fixture loop (5).
- Route the fixture wire (10) through the chain (11) and canopy (12). Attach the chain (11) to the fixture loop (5).
- Fasten the mounting plate (14) to the junction box using the supplied mounting screws (13).
- Connect the fixture wires (10) and the wires reserved on the junction box with wire nuts (15) respectively, then insulate all connections with electrical tape and neatly tuck wires into the junction box. Secure the ground wire (17) of the fixture and junction box to the mounting plate with a green screw (16) to ensure proper grounding.
- Align the canopy (12) with the mounting plate and insert the mounting plate screws (18) through the two small holes on the canopy (12). Tighten the decorative caps (19) to lock the fixture securely in place.
- Assemble the bulbs (20) (not included) on the lamp bases (21) as indicated.

**Note:** please use this product accordingly to its intended purpose, do not retrofit or remodeling the product. The warranty does not cover if the failure is caused by the third party product, or natural disasters.