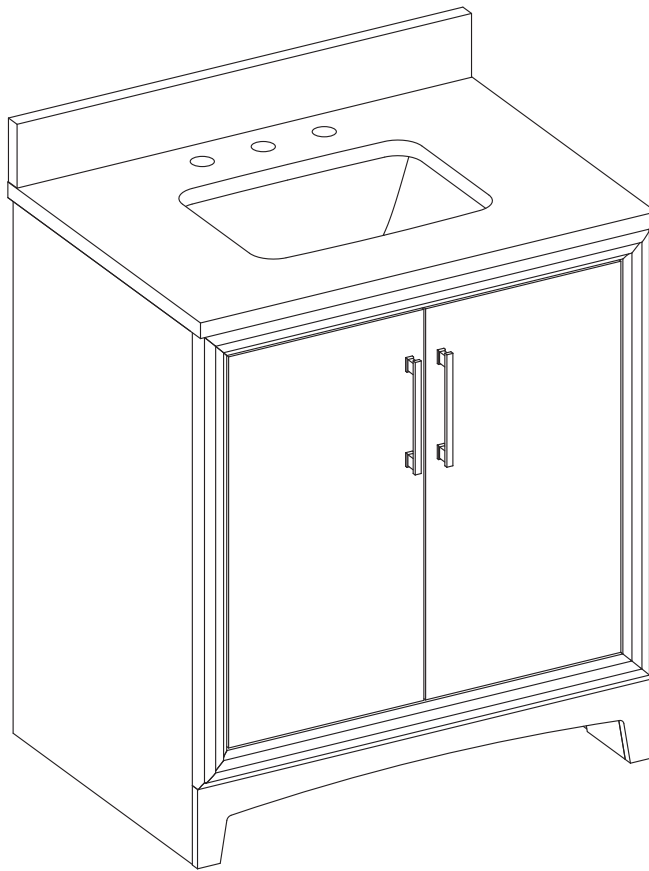


**Model #2342VA-31-201-925-UM
2342VA-31-242-925-UM**

ASSEMBLY INSTRUCTIONS

31 IN. W X 22 IN. D VANITY



**Questions, problems, missing parts?
Before returning to the store, contact Greentouch Home
Customer Service 9 a.m. - 5 p.m., EST, Monday - Friday**

**1-855-571-1044
customerservice@greentouchhome.com**

Table of Contents

Table of Contents 2
Safety Information 2
Warranty 3
 Limited Lifetime Warranty 3
Minnesota Residents 3

Pre-Installation 4
 Planning Installation 4
 Tools Required 4
 Hardware Included 4
 Package Contents 5
Installation 6
Care and Maintenance 13
Service Parts 14

Safety Information

DANGER

- Keep small parts away from children during assembly.
- Failure to follow warnings and cautions could result in serious injury.
- DO NOT use harsh bathroom cleaners or grout cleaners on any natural stone.

WARNING

- Read these instructions carefully and keep in a safe place.
- Adult assembly required.
- This product should only be used on a flat, level surface.
- Do not over tighten connectors (screws, bolts, etc.) Overtightening can lead to product damage.
- Small parts may present choking hazard prior to assembly.
- Do not stand, step or climb on unit.

CAUTION

- USE preventative cleaning measures to keep your stone pristine.
- USE sealers according to the product specific directions.
- Blot spills quickly, and wash with mild soap and warm water.
- Stone countertop is surprisingly resilient to stains and scratches. However, as a preventative measure, any spills on the stone surfaces should be wiped up within a reasonable amount of time. Do not let liquid sit on the stone overnight. Stones are most prone to staining by oil and acid, so be sure to blot these spills up as soon as they happen. Follow up by cleaning the stone with a mild non-abrasive soap and water.
- Be sure to check all packing materials carefully for small parts that may have come loose inside the carton during shipment. If parts are missing, contact customerservice@greentouchhome.com to obtain any missing parts.
- Using abrasive cleansers will damage the surface.

Warranty

LIMITED LIFETIME WARRANTY

The manufacturer warrants this item against defects in materials and workmanship for a period of one (1) year from the date of original retail purchase. This warranty applies only to the original purchaser. This warranty does not apply to any damage on the product by accident, misuse, or modified, improper installation or by affixing accessories not produced by the manufacturer. The manufacturer is not accountable whatsoever for product installation during the warranty period. There is no further expressed warranty. The manufacturer shall not be legally responsible for incidental, consequential or special damages arising at or in connection with product use or performance except as may otherwise be accorded by law. The manufacturer disclaims any and all implied warranties.

Pre-Installation

PLANNING INSTALLATION

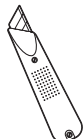
Before beginning assembly of product, make sure all parts are present. Compare parts with package contents list and hardware contents list. If any part is missing or damaged, do not attempt to assemble the product.

Estimated Assembly Time: 45 minutes (24 hours for silicone caulk to dry).

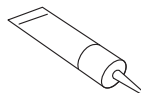
TOOLS REQUIRED (NOT INCLUDED)



Phillips
Screwdriver



Utility Knife



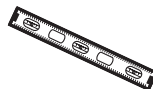
Silicone Caulk



Power Drill
With Drill Bit



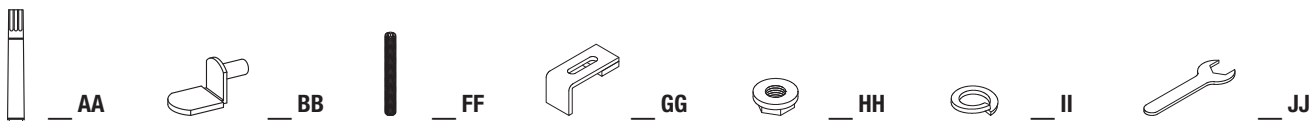
Measuring Tape



Level

HARDWARE INCLUDED

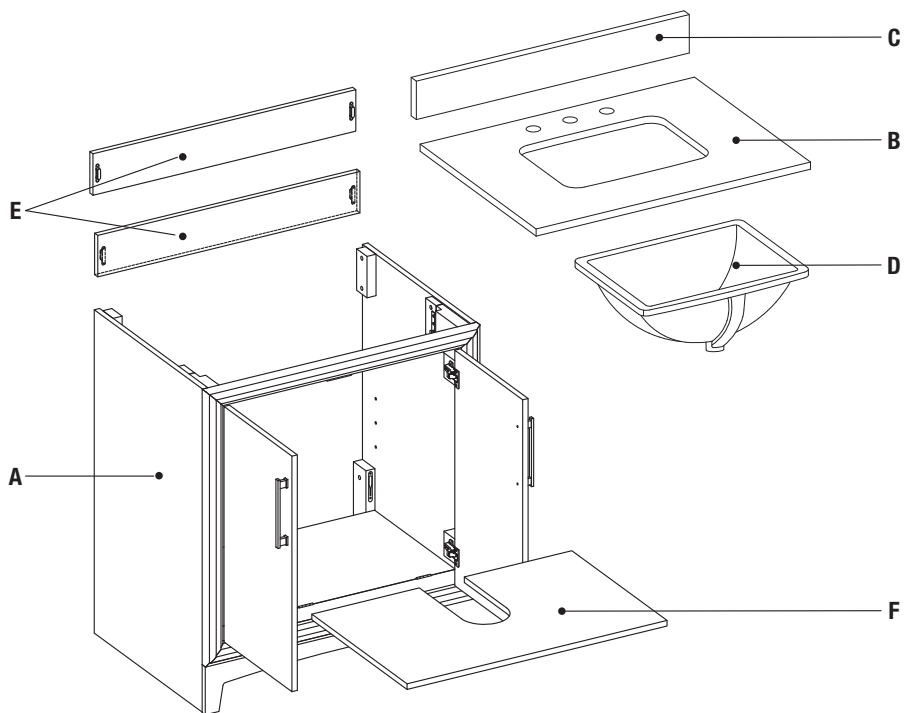
 **NOTE:** Hardware not shown to actual size.



| Part | Description | Quantity |
|------|--------------|----------|
| AA | Touch Up Pen | 1 |
| BB | Shelf pin | 4 |
| FF | Bolt | 4 |
| GG | Sink Bracket | 4 |
| HH | Nut | 4 |
| II | Lock Washer | 4 |
| JJ | Wrench | 1 |

Pre-Installation (continued)

PACKAGE CONTENTS

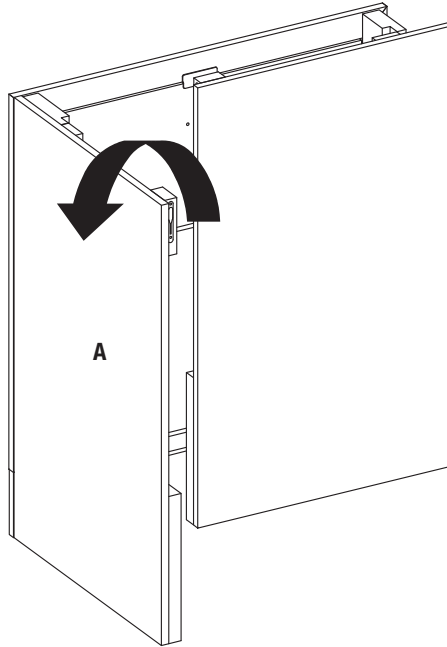


| Part | Description | Quantity | CARTON |
|------|--------------------|----------|------------|
| A | Vanity | 1 | Box 2 of 3 |
| B | Top | 1 | Box 1 of 3 |
| C | Backsplash | 1 | |
| D | Sink | 1 | Box 3 of 3 |
| E | Back Stretcher Bar | 2 | Box 2 of 3 |
| F | Shelf | 1 | |

Installation

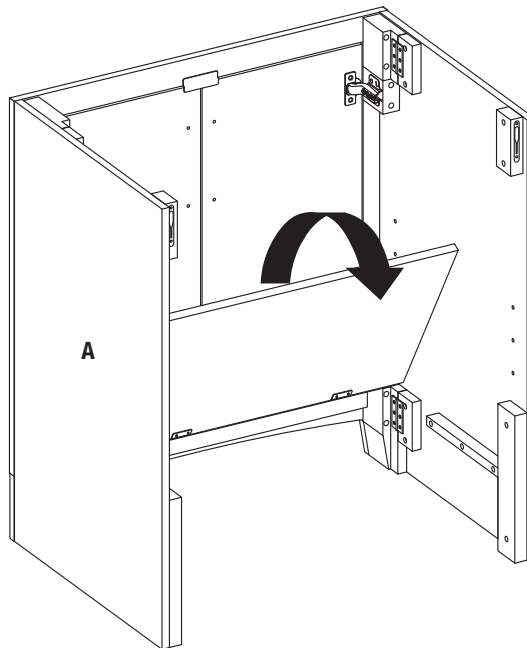
1 Installing the side panel

- Place the folded vanity in the upright position. Unfold the left side panel of the vanity (A), and repeat to unfold for the right side panel.



2 Installing the bottom panel

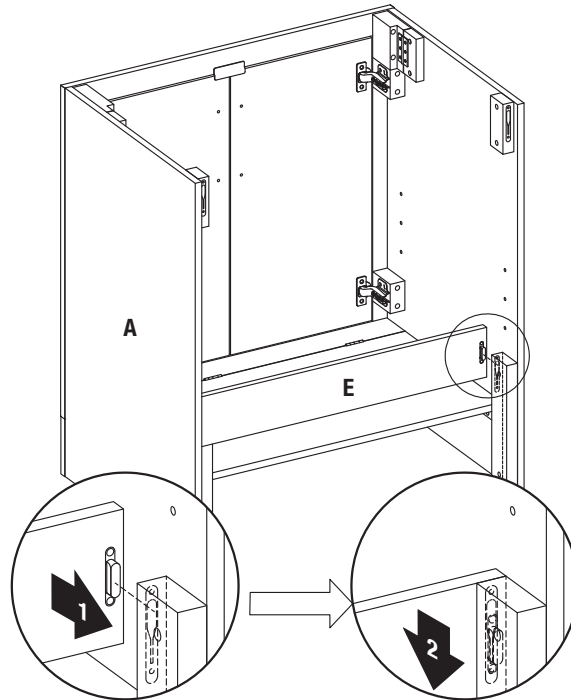
- Flip down the bottom panel to let it rest on wood support blocks located on the side panels.



Installation (continued)

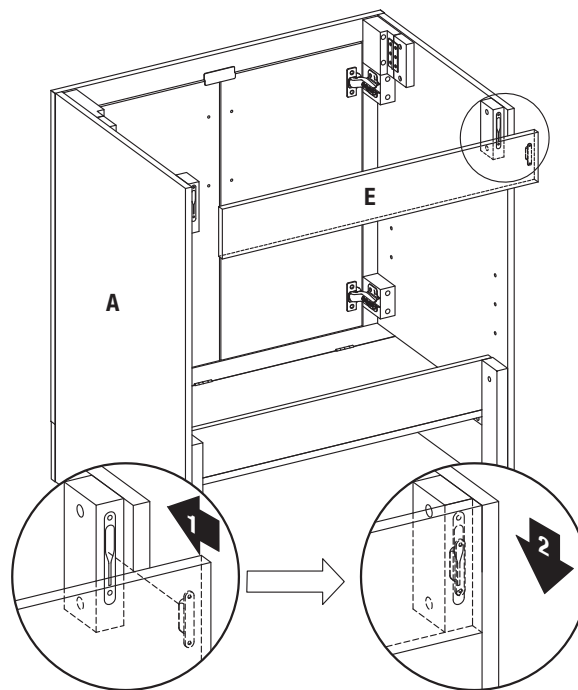
3 Installing the back stretcher bar

- Locate one of the back stretcher bar (E) and gently slide the lock pins into the lower slot holes on the side panels.



4 Installing the back stretcher bar

- Locate the other back stretcher bar (E) and gently slide the lock pins into the upper slot holes on the side panels.
- Vanity assembly is now complete.



Installation (continued)

5 Installing vanity cabinet



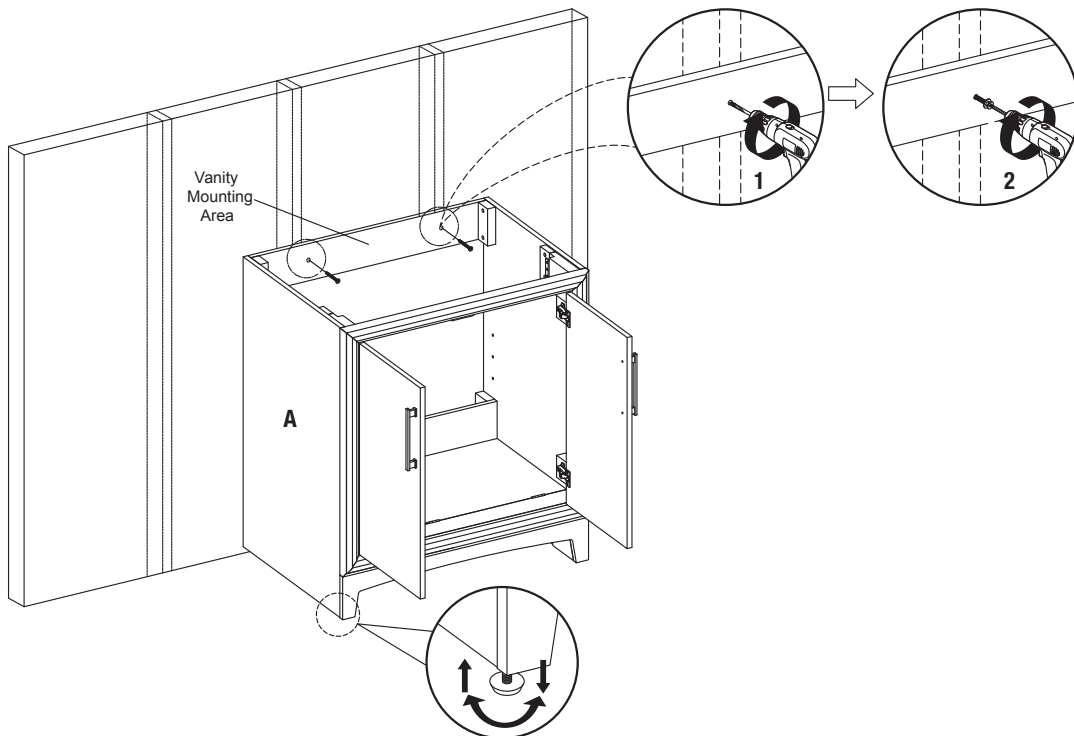
NOTE: Clean area where the vanity (A) will be permanently located prior to beginning installation, ensuring the vanity (A) will not interfere with any water supply and drain lines once mounted.

- With two people, carefully place the vanity (A) against the wall in its final location. Place a level on the unit in both directions, across the front and on both sides to properly adjust the levelers on the unit. Use preassembled levelers on the feet of the vanity (A) to level the item. Twisting the levelers counterclockwise will increase the height of the vanity (A), twisting them clockwise will decrease it.
- Find and mark locations of wall studs behind the permanent location of the vanity (A). From inside the vanity (A), drill a hole through the vanity mounting area into wall studs.
- Using mounting hardware (not included) appropriate for your installation site, secure the vanity (A) to the wall stud. If possible, secure the vanity (A) to two wall studs for increased stability.



WARNING:

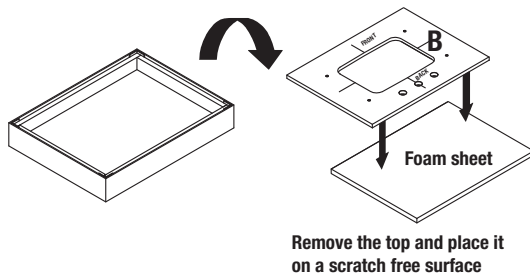
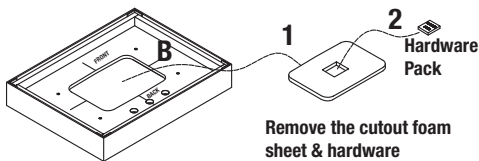
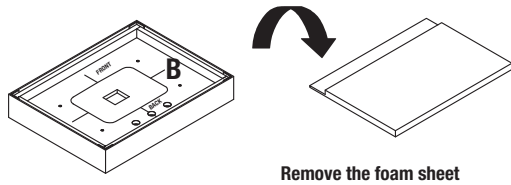
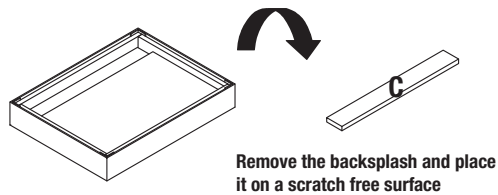
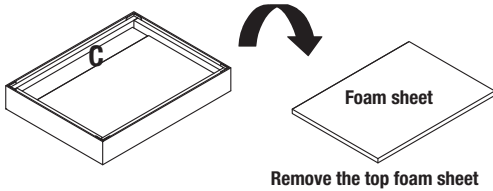
- Vanity (A) **MUST** be secured to wall studs.



Installation (continued)

6 Unpacking the top

- Take out the top (B) and backsplash (C) according to the steps indicated by the drawings, and place them face down onto a scratch free surface such as a foam sheet that came in the packaging.



7 Mounting the sink

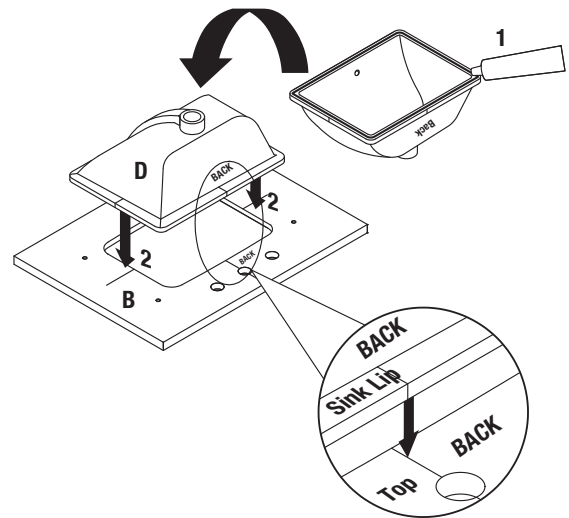
- Apply silicone caulk (not included) to the top edge of the sink (D). With the help of another adult, lower the sink onto the back side of the stone top.



NOTE: Make sure the sink over-flow hole is facing the front of the stone top. Be sure to align the sink well with the stone top cut out allowing for equal stone overhang on the front, back and sides of the ceramic sink (D).



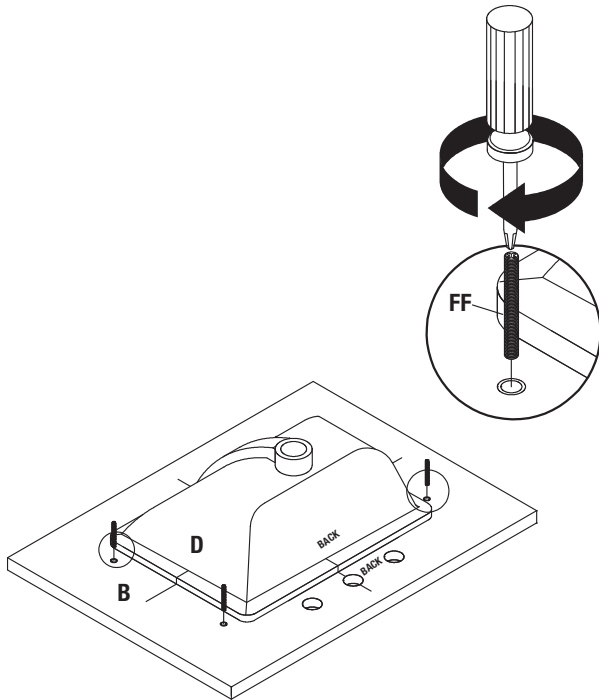
NOTE: To install the sink onto the top correctly, ensure that the two "BACK" stamps on the sink and the top are aligned on the same sides. Use the guide lines marked on the sink and bottom side of the stone top to assist with sink location.



Installation (continued)

8 Installing the sink

- Screw bolts (FF) into the threaded holes of the stone top (B).



9 Attaching the sink brackets

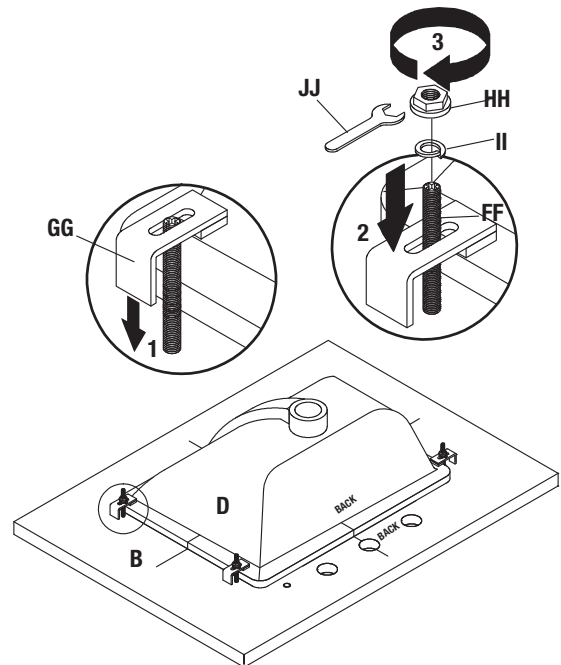
- Lower the sink brackets (GG) over the bolts (FF) and allow to rest on the sink lip.
- Adjust the location of the bracket to firmly grasp the sink lip.
- Lower lock washers (II) over bolts (FF) and secure with nuts (HH). Hand tighten nuts (HH) with the included wrench (JJ).



NOTE: DO NOT OVER TIGHTEN!



NOTE: Check that the sink placement is well centered front to back and side to side of the stone top cut out before allowing the silicone caulk to dry. If the sink is not centered well, unscrew sink clamps, re-adjust the sink position and re-tighten the sink brackets.



Installation (continued)

10 Installing the top

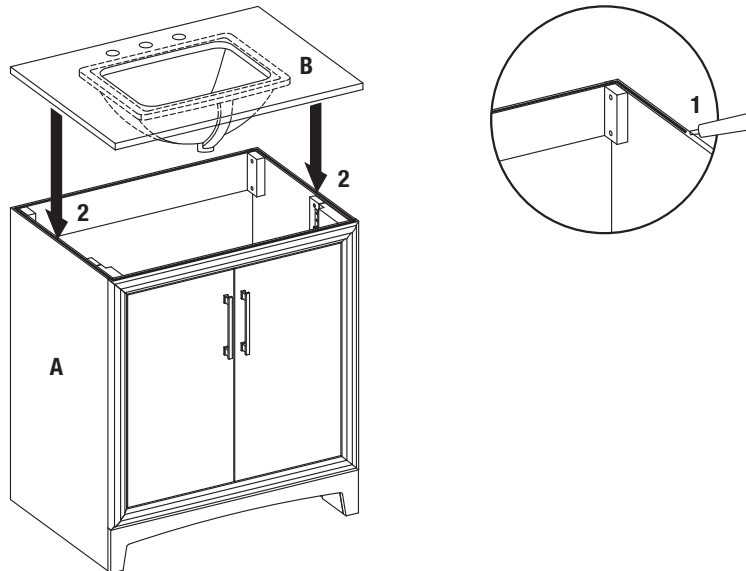
- Apply silicone caulk to the top edge of the wood cabinet.
- With the help of another adult, gently lower the stone top with the assembled sink onto the cabinet.



NOTE: Make sure the stone top is flush with the back side of the wood cabinet and the stone overhang is equal on both sides over the wood cabinet left and right side walls. Remove any excess caulk before allowing to dry.

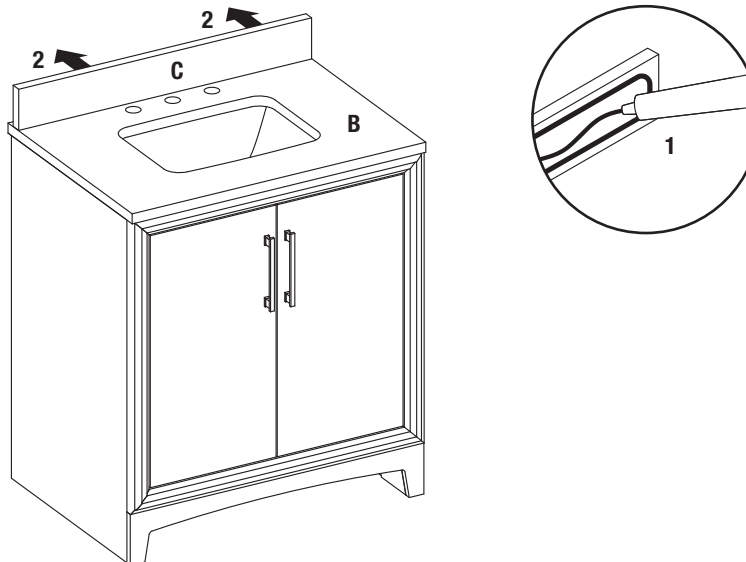


NOTE: It may be easier to install the faucet and/or drain assembly (not included) before securing the stone top to the wood cabinet.



11 Installing the backsplash

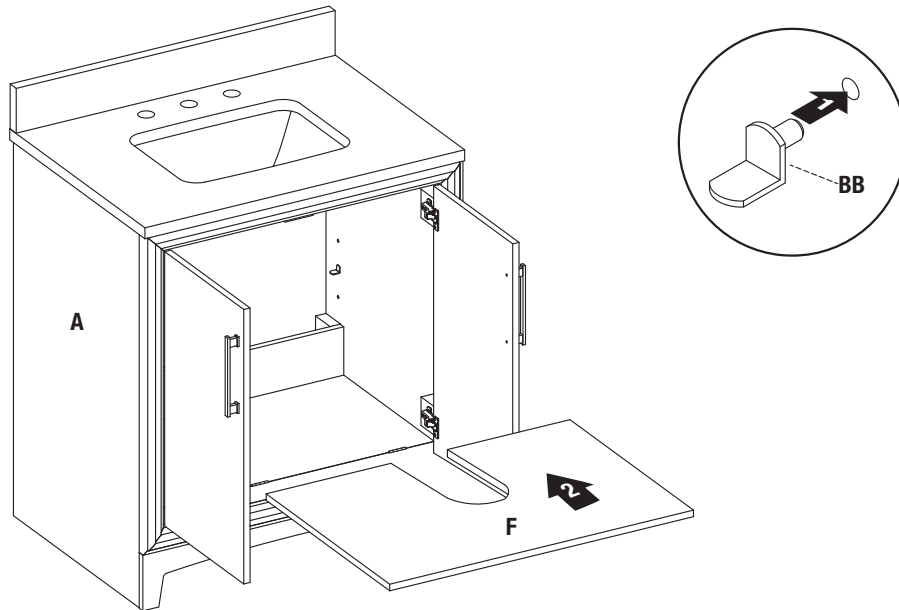
- Apply silicone caulk (not included) to the unpolished side and bottom of the backsplash (C).
- Position the backsplash (C) on top (B) and against the wall.
- Clean any excess caulk before allowing to dry.



Installation (continued)

12 Installing the shelf

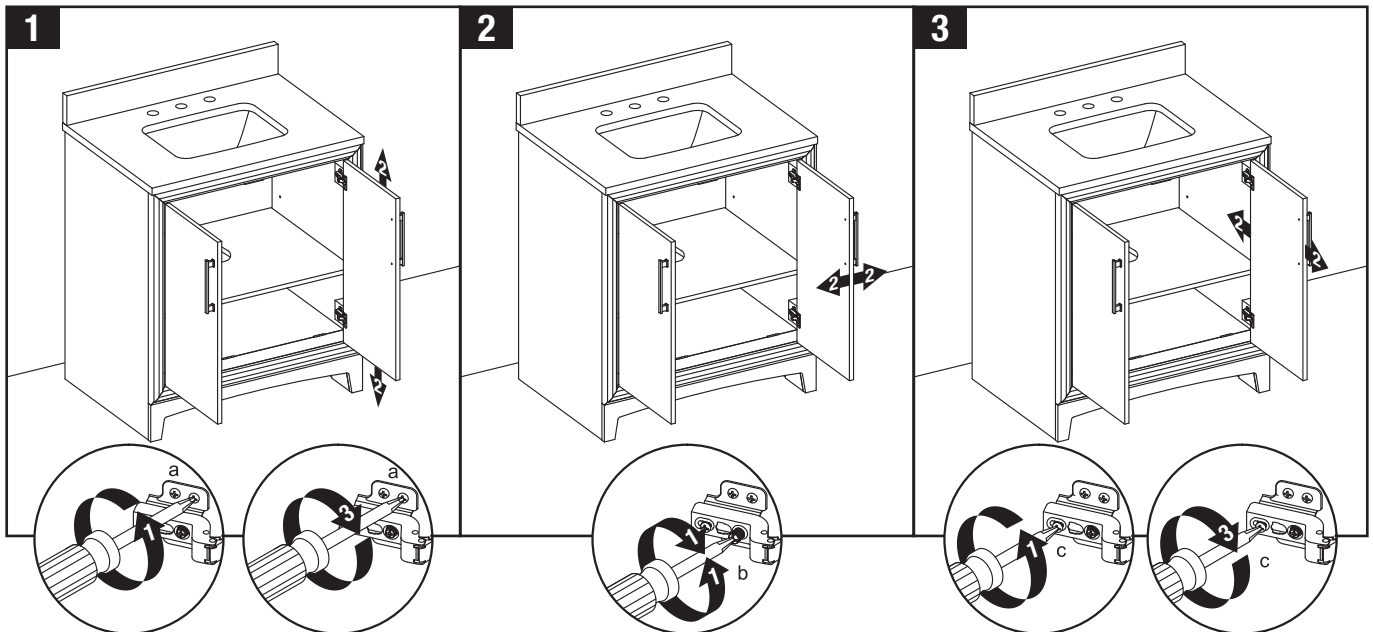
- Insert shelf pins (BB) at desired height, ensuring they are level. Place shelf (F) on top of shelf pins (BB).



13 Aligning the doors (optional)

If you need to adjust the doors, do so in the following manner.

- To adjust the door up or down, loosen screws (a) on both hinges, adjust door, and retighten screws.
- To adjust the door left or right, turn screws (b) on both hinges, in or out.
- To adjust the door in or out, loosen screws (c) on both hinges, adjust door, and retighten screws.



Care and Maintenance

- Dust the vanity regularly with a soft, non-lint producing cloth or household dusting product.
- You can clean the vanity with a gentle, non-abrasive household cleaner.
- Make sure to dry the wood immediately with a soft cloth or towel.
- The ceramic sink can be cleaned using standard ceramic cleaning agents available at your local supplier.
- Tips for using touch-up pen (AA): For scratches, stroke in direction of scratch; for worn areas, stroke in direction of wood grain. Rub off excess colorant promptly with a soft cloth.

IMPORTANT

- Shade variations and patterns are an inherent characteristic of stone (e.g. granite, marble, engineered stone). Stone tops will vary from product to product. Use caution placing items such as soap or any fragranced material on the stone surface. Use a soap dish, coaster or similar item to protect the surface if placing any soap or fragranced products on the stone.
- If soap or fragranced products come in contact with the stone top, rinse the surface with water and dry using a soft non-abrasive cloth.
- **DO NOT** use products to clean the stone top that contain acetone, lemon, vinegar or other acids as these may cause damage to the stone surface.
- Periodically reseal the stone top using an appropriate stone sealer available from your local home store. Follow the manufacturer's directions on how to apply.

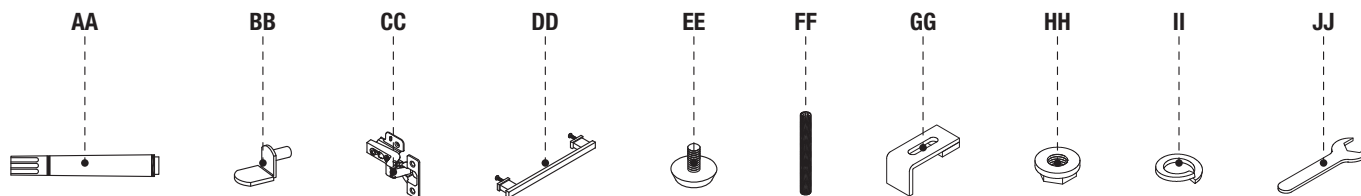
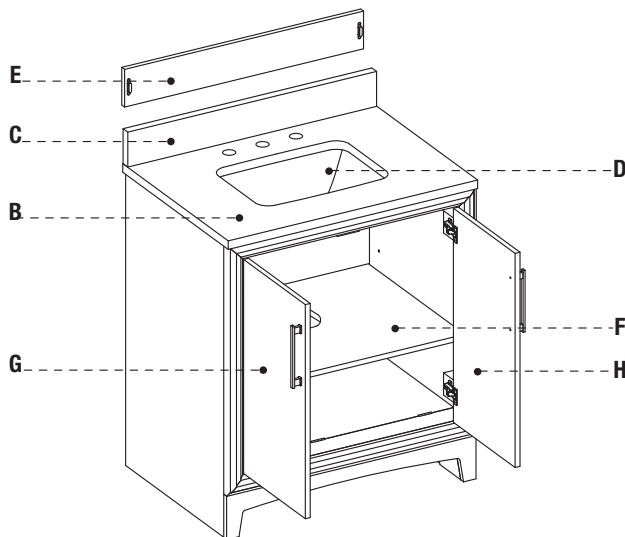
WARNING:



- Must use cleaning agents safe for stone. Check your cleaning agents' use restrictions before using on any stone. Damage to the stone may result. Vanity Manufacturer not responsible for damage caused by improper cleaning agents or soaps used. Warranty will not cover damage caused by the use of improper soaps or cleaning agents.

Service Parts For 2342VA-31-201

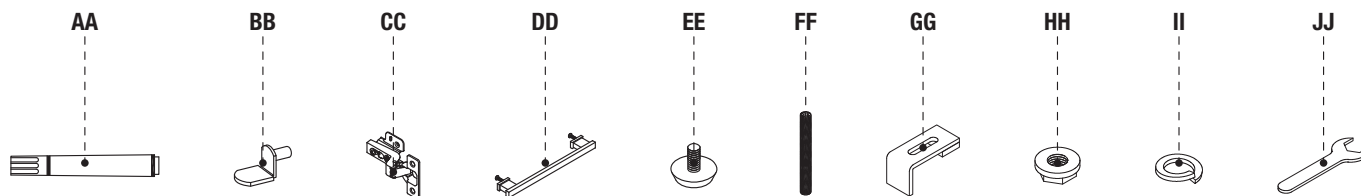
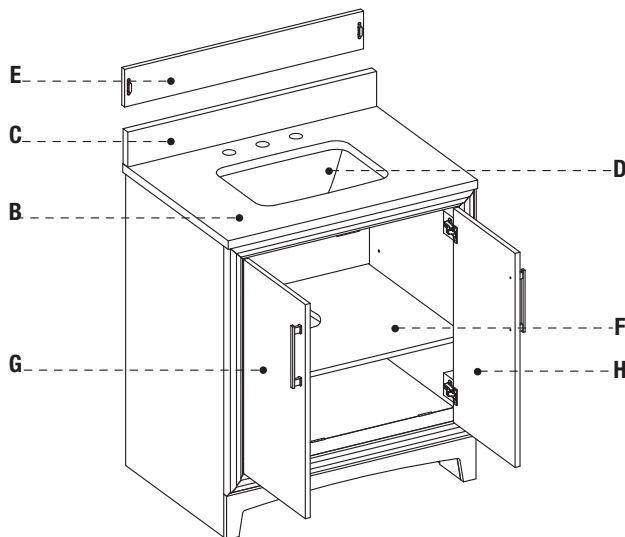
If you are missing parts or if you require replacement parts, please contact our customer service team at 1-855-571-1044, 9:00 am - 5:00 pm, EST, Monday - Friday. Identify the required part(s) and have the part number(s) ready.



| Part | Description | Part Number |
|------|---|------------------------|
| B | Complete Set 31" Engineered Carrara Top | 2500VT-31-925 |
| C | 31" Engineered Carrara Backsplash | PUBS-25-925-31 |
| D | Sink | PU17-18X14-SQUARE |
| E | Back Stretcher Bar | 1342VA-30-201-B BAR |
| F | Shelf | 1342VA-30-201-SHELF |
| G | Left Door | 1342VA-30-201-DOOR SET |
| H | Right Door | |
| AA | Touch-Up Pen | OF-0010 |
| BB | Shelf Pin | B1044 |
| CC | Hinge | C-90-107 |
| DD | Drawer Handle | 1342VA-DD HARDWARE |
| EE | Leveler | T-1007 |
| FF | Bolt | GTC-SINK CLIPS |
| GG | Sink Bracket | |
| HH | Nut | |
| II | Lock Washer | |
| JJ | Wrench | |

Service Parts For 2342VA-31-242

If you are missing parts or if you require replacement parts, please contact our customer service team at 1-855-571-1044, 9:00 am - 5:00 pm, EST, Monday - Friday. Identify the required part(s) and have the part number(s) ready.



| Part | Description | Part Number |
|------|---|------------------------|
| B | Complete Set 31" Engineered Carrara Top | 2500VT-31-925 |
| C | 31" Engineered Carrara Backsplash | PUBS-25-925-31 |
| D | Sink | PU17-18X14-SQUARE |
| E | Back Stretcher Bar | 1342VA-30-242-B BAR |
| F | Shelf | 1342VA-30-242-SHELF |
| G | Left Door | 1342VA-30-242-DOOR SET |
| H | Right Door | |
| AA | Touch-Up Pen | OF-0120R |
| BB | Shelf Pin | B1044 |
| CC | Hinge | C-90-107 |
| DD | Drawer Handle | 1342VA-DD HARDWARE |
| EE | Leveler | T-1007 |
| FF | Bolt | GTC-SINK CLIPS |
| GG | Sink Bracket | |
| HH | Nut | |
| II | Lock Washer | |
| JJ | Wrench | |