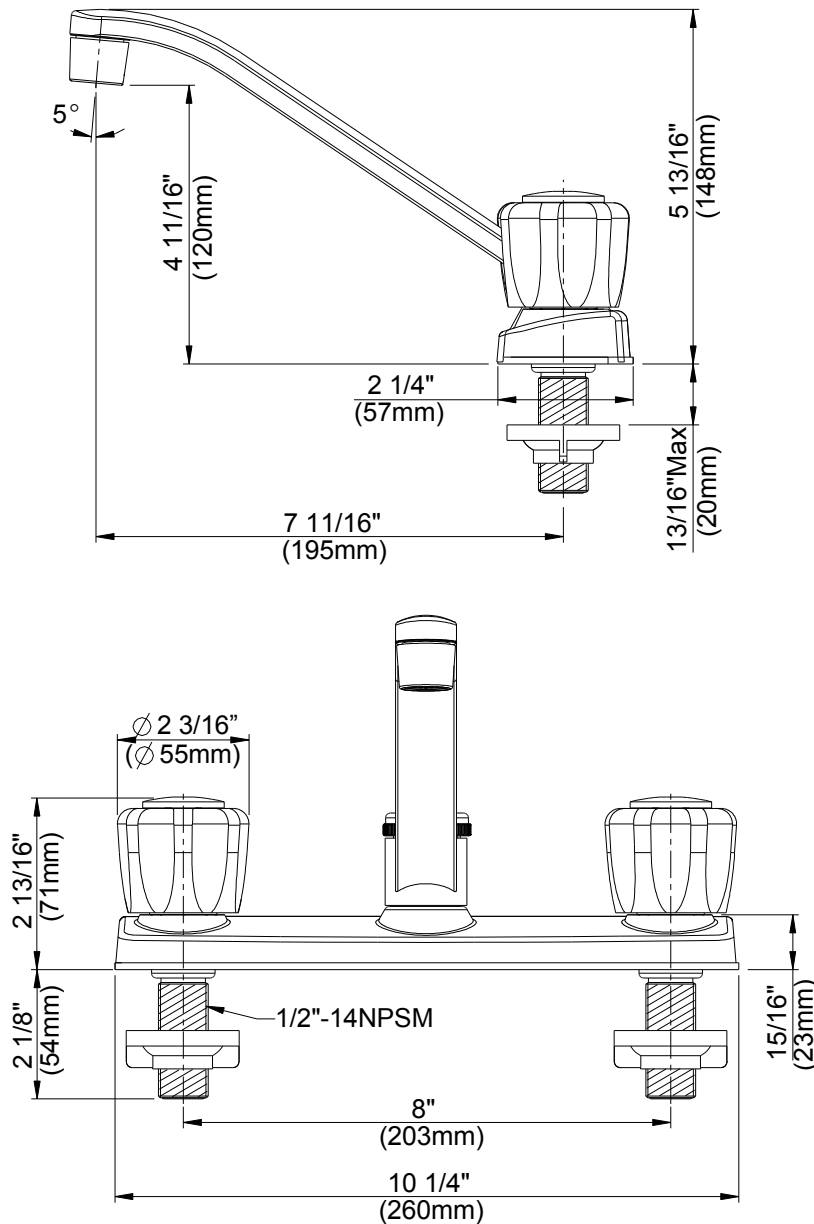


TWO HANDLE CENTERSET

KITCHEN

Features:

- Acrylic round handle
- Washerless cartridge
- Hybrid body
- Max Flow Rate: 1.8 gpm (6.8 L/min) at 60 psi
- 8" centerset
- 3 hole installation
- Water saving aerator



Traditional Collection



10163LF
Chrome Finish

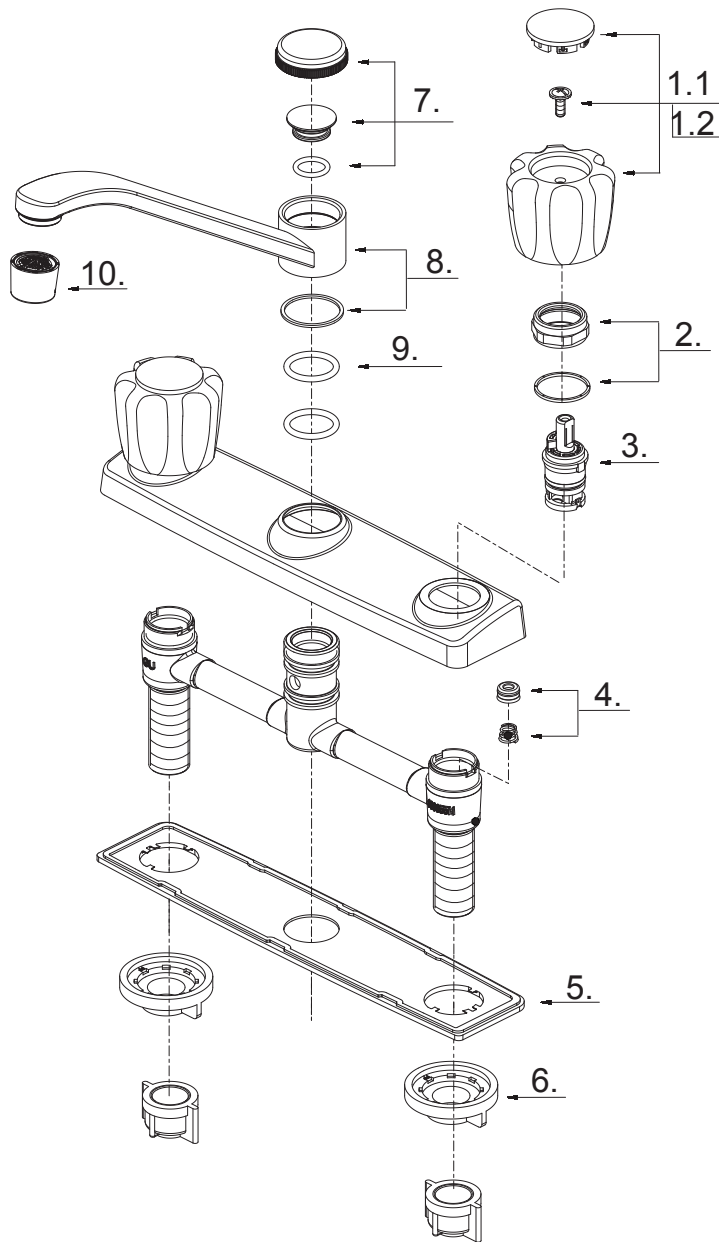


NSF/ANSI 372
NSF/ANSI 61-9



TWO HANDLE CENTERSET

KITCHEN



Traditional Collection



10163LF
Chrome Finish

1.1	Acrylic Handle Assembly - Cold	A66E132
1.2	Acrylic Handle Assembly - Hot	A66E137
2	Retainer Nut Assembly	A663631
3	Washerless Cartridge	A507043N
4	Seat & Spring Set	A663002
5	Putty Plate	A011011
6	Lock Nut Set	A504023
7	Spout Trim Cap	A663023
8	Spout Set	A66D585N
9	O-Ring (Φ7/8" ID * Φ1-1/8" OD)	A004051N
10	Aerator	A500197N-64-P



NSF/ANSI 372
NSF/ANSI 61-9

