

EMPV-54WIT09

PRODUCT

size

Item Size (inches)

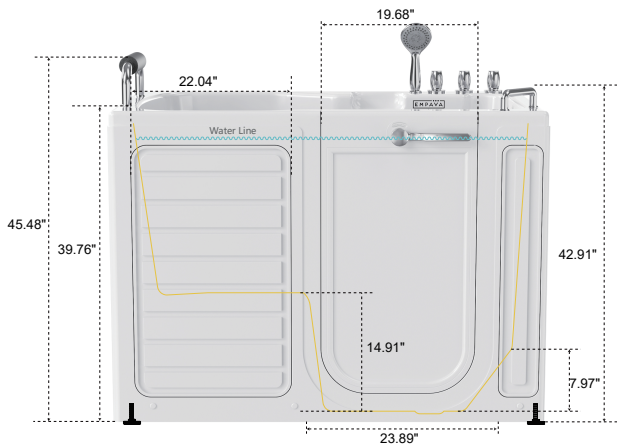
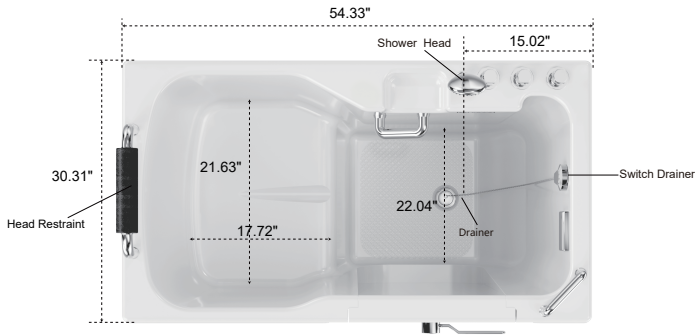
54.33" x 30.31" x 39.76"

Item Interior Size(inches)

42.13" x 21.63" x 32.28"



SIZE CHART



DIMENSIONS (INCH)

Item Size (inches)	54.33 W x 30.31 D x 39.76 H
Item Interior Size(inches)	42.13 W x 21.63 D x 32.28 H
Ctn Size (inches)	56.50 W x 32.48 D x 49.21 H
Water Capacity(gallons)	84
Soaking Depth (in.)	32.28

FEATURES

APPLIANCE TYPE	WALK IN BATHTUB
COLOR/FINISH	WHITE
MATERIAL	ACYLIC
DRAIN LOCATION	RIGHT
INSTALLATION TYPE	CORNER
FAUCET MOUNT	TUB MOUNTED
CONTROL TYPE	MECHANICAL
TUB DESIGN	RECTANGLE
MAXIMUM NUMBER OF OCCUPANTS	1 PERSON
SOAKING DEPTH (IN.)	32.28
WATER CAPACITY(GALLONS)	84
INTEGRATED SEAT	YES
HARDWARE FINISH	POLISHED CHROME
INCLUDED	HANDRAIL,FAUCETS, DRAIN, HANDSHOWER, HEADREST, OVERFLOW
FEATURES	PREDRILLED DRAIN HOLES, PREDRILLED FAUCET HOLES, PREDRILLED OVERFLOW HOLES
LISTING AGENCY STANDARDS	NO CERTIFICATIONS OR LISTINGS
MANUFACTURER WARRANTY	2-YEARS MANUFACTURER LIMITED WARRANTY
NET WEIGHT (LBS)	176.37
GROSS WEIGHT (LBS)	326.28
ITEM SIZE (INCHES)	54.33 W X 30.31 D X 39.76 H
ITEM INTERIOR SIZE(INCHES)	42.13 W X 21.63 D X 32.28 H
CTN SIZE (INCHES)	56.50 W X 32.48 D X 49.21 H