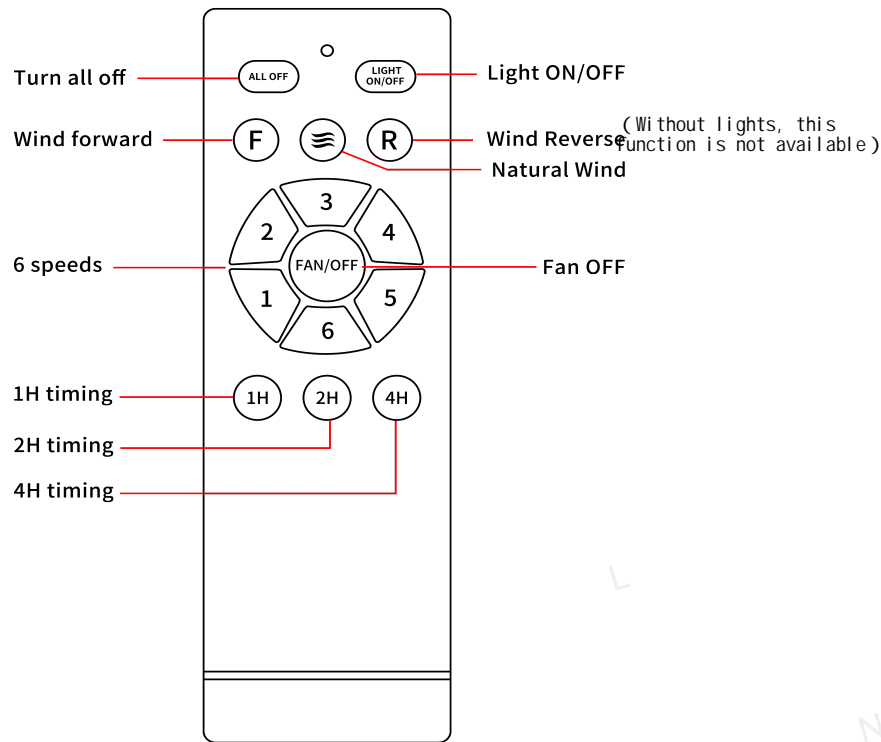


Introduction to Remote Control Functions



Troubleshooting

Please contact vendor for parts replacement if you encountered issues 1-4 below or other but you could not solve it.

1. Fan does not work. → Check the wires are connected correctly and firmly or you need to re-code the control set, steps are — Turn off the wall switch for 10 seconds, turn on the wall switch then immediately press the FAN/OFF button holding for 5 seconds, if the red signal light flickering means re-code successfully, please try to turn on the fan again after re-code successfully.

2. Remote control can not control the fan. → Check if the wires are correctly connected and controller has AAA batteries installed properly. Or you need to re-code the control set, steps are — Turn off the wall switch for 10 seconds, turn on the wall switch then immediately press the FAN/OFF button holding for 5 seconds, if the red signal light flickering means re-code successfully, please try to turn on the fan again after re-code successfully.

3. Fan blades move very slowly when the fan is on. → Check the red wires connect are not diverge otherwise there will be insufficient power of the fan when working.

4. Scraping noise when the fan is on. → Check the fan blades are stable, check the wires not scrapping the working motor.

Answers to Questions

1. Can this fan be installed on a concrete ceiling?

Yes, it can. There are some concrete screws in the screw pack.

2. Does the remote control require a battery, if so what size?

Yes, it needs two AAA battery. The remote control does not contain batteries.

3. Can this fan be installed on a slopy ceiling?

No, it cannot be installed on a slopy ceiling.

4. Can this be installed where an existing light was without extra wiring involved for the fan portion of this fixture?

Yes, it can be installed where an existing light was without extra wiring involved. Just remove your existing light and install the new ceiling fans.

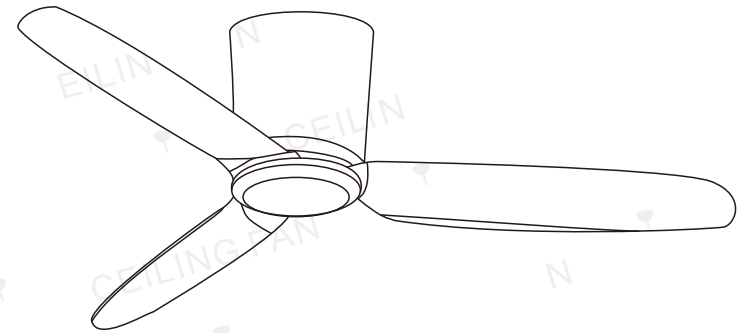
5. If I get two ceiling fans, can I sync them with one remote?

Yes, you can sync two ceiling fans with one remote. Standard package is one remote control for one unique ceiling fan. To achieve one remote sync two ceiling fans, you have to re-code the remote.

6. Can this be used in exterior/outdoor space?

If the exterior space is some covered space, then yes. But we suggest to use indoors only as the product is not waterproof.

Ceiling Fan OWNER'S MANUAL



Enjoy the natural wind

Please keep this manual.

Be sure to read the instructions before installation and use of the appliance.

Ver:2404

F7799-42NL F7789-42NL

F7799-52NL F7789-52NL

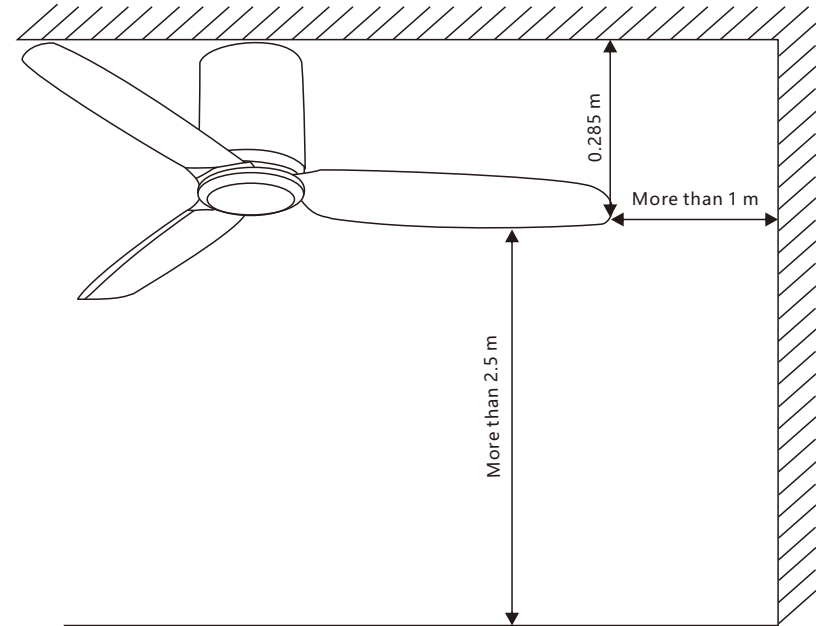
Safety instructions

1. To ensure the success of an installation and reduce the occurrence of an electric shock, be sure to read the instructions and review the diagrams before beginning. Disconnect electric current supply. If you are lack of electrical knowledge, engaging of professional electrician is strongly recommended.
2. To avoid electric shock hazard during installation or dismantling of a ceiling fan, turn off current supply. live and Neutral wires must be connected to wall switch (double pole).
3. In order to prevent electric shock from accidents, do not use nonlocal governor or switch product requirements.
4. During an installation of ceiling fan, you must determine the various parts of screws securely latched.
5. When ceiling fan is rotating, the blades should not touch any objects to avoid danger.
6. Select the appropriate location to install a ceiling fan, the ceiling blade must be mounted above 2.5 meters from the ground to prevent blade collision accident.
7. To change the fan blade rotating direction, please switch off and wait till the blade comes to a complete stop; then adjust the reversing switch.
8. The power of this machine is 100V-240V AC 50Hz/60Hz, maximum motor power 38W(vary from different specification of models).
9. Proper installation of a ceiling fan and connection of power, please read the fan assembly procedures carefully.
10. Do not clean the ceiling fan blades with detergent directly. Use a dry cloth or slightly damp cloth to wipe. In additional to dust cleaning on ceiling fans, ceiling fan must be disconnected from the power switch.

WARNING: If usual oscillating movement is observed, immediately stop using the ceiling fan and contact the manufacturer, its service agent or suitably qualified persons.

The replacement of parts of the safety suspension system device shall be performed by the manufacturer, its service agent or suitably qualified persons.

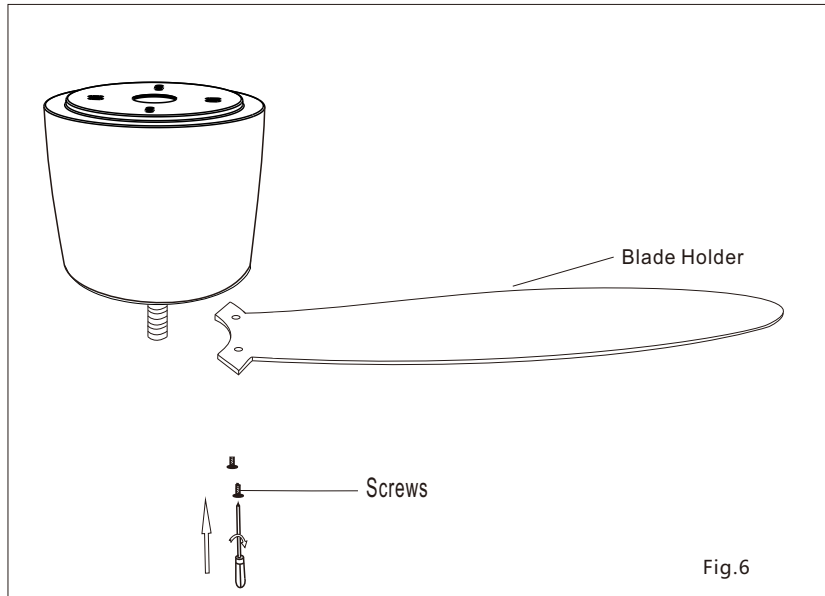
If it is necessary to replace the live or neutral brushes to ensure operation of the motor then both brushes and the earth brush shall be replaced at the same time. The brushes shall only be replaced by a suitably qualified person.



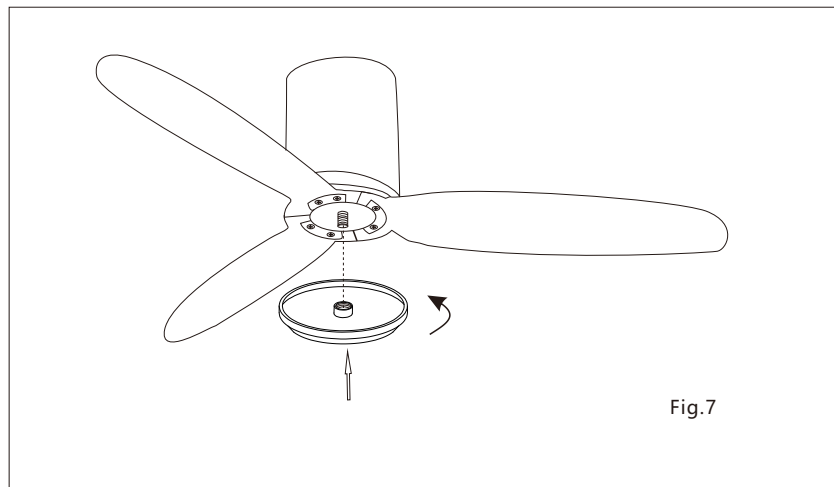
WARNING:

Ceiling fan must be mounted above 2.5 m from the floor and 1 m from the wall to the blade.

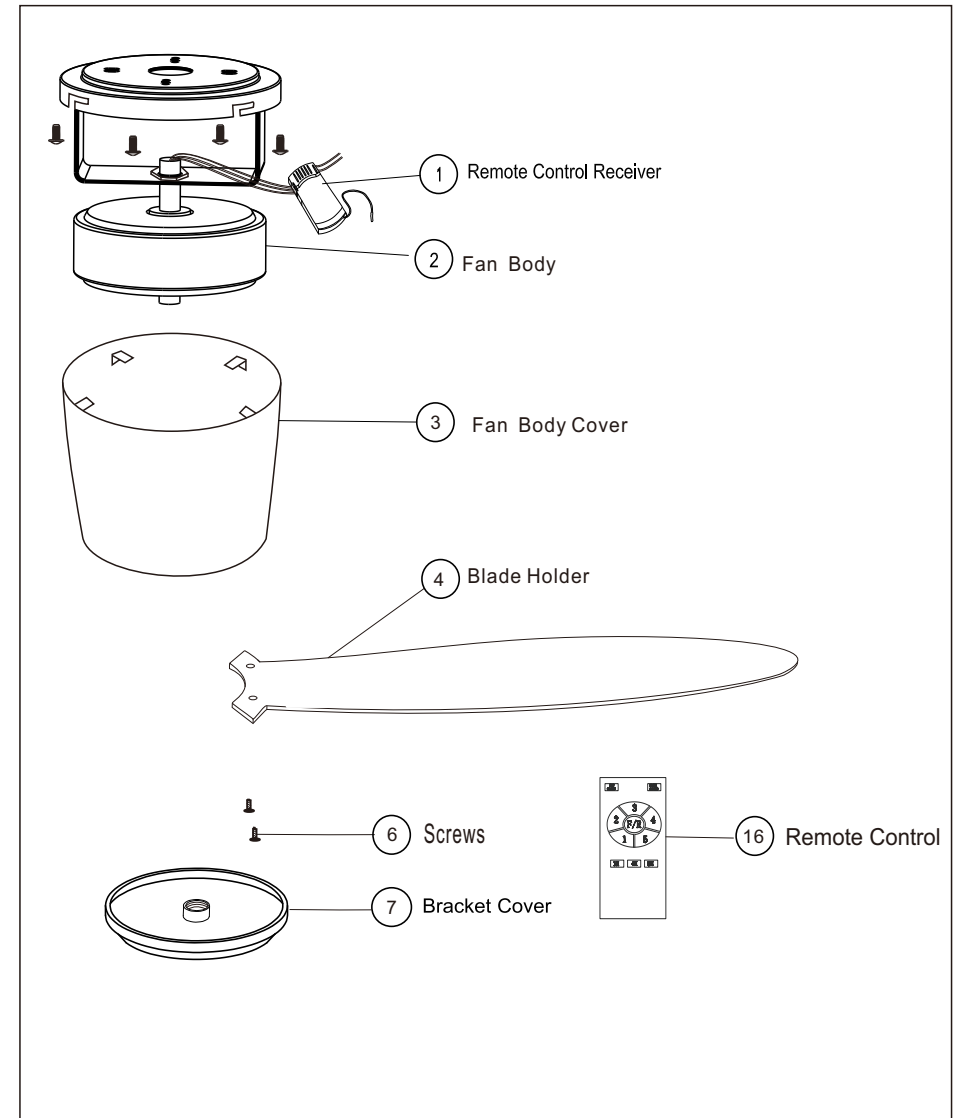
5. Fasten the screw over the blade holder and then the blade over the fan body. (Fig.6)



6. Connect the Down cover center nut with the fuselage screw and twist it into it. (Fig.7)



Decomposition Diagram and Components List



Mounting Bracket Installation

1. Concrete ceiling: Drill two holes with an appropriate depth by a drilling bit with diameter 8MM, and insert 1 piece of expansion screw to each hole, then fix the mounting bracket into the expansion screws, and tighten it with the nuts of expansion screws. (Fig.2)

2. Wooden ceiling: Fix the mounting bracket to the wooden ceiling by 4 pieces wooden screws. The thickness of wooden ceiling must be at least 7cm.(Fig.3)

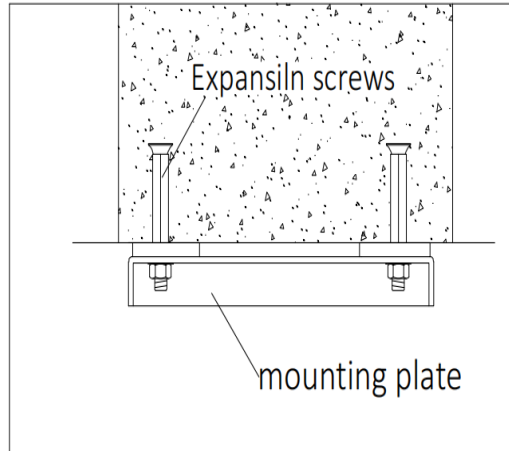


Fig.2

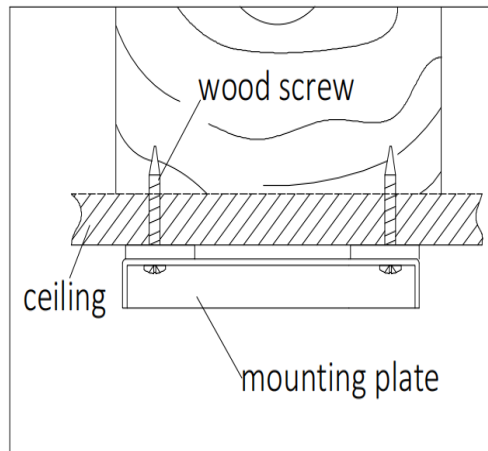
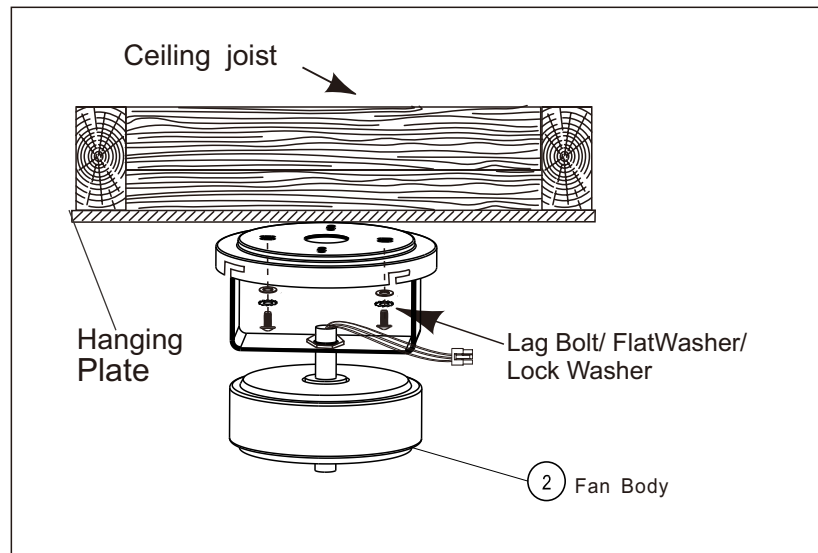


Fig.3

⚠ NOTE: Do not install mounting bracket on the roof leaking and damp. the ceiling must be able to with stand the weight of 40 kgs or more.



3. Connect electrical wires accurately according to the diagram.(Fig. 4)

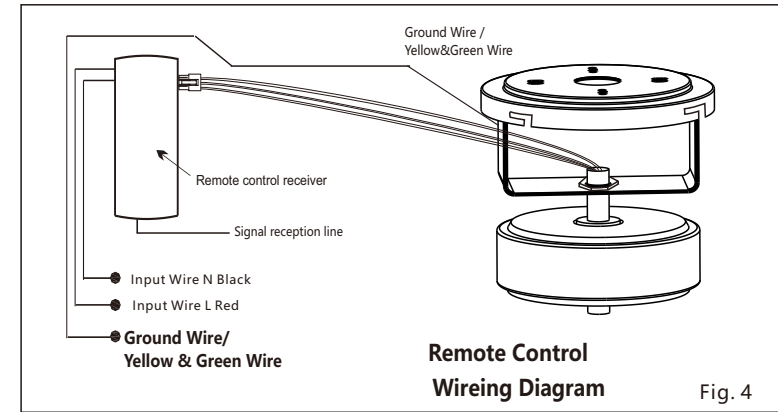


Fig. 4

4. Make sure the key slot on the fan body cover is in the same line with the key slot on the fan body, then rotate the fan body cover .(Fig.5)

