

# Cordless Motorized Roman Shade Installation Instructions

		Content						
Shade Size	Shade (a)	Bracket (b)	Bracket Screw (c)	Wall Anchor (d)	Remote (e)	Charger Cable (f)	Screwdriver (g)	
27in. x 64in.	1	2	4	4	1	1	1	
31in. x 64in.	1	2	4	4	1	1	1	
33in. x 64in.	1	2	4	4	1	1	1	
35in. x 64in.	1	2	4	4	1	1	1	
36in. x 64in.	1	2	4	4	1	1	1	
39in. x 64in.	1	2	4	4	1	1	1	

Step 1 – Checklist	
You will need the following tools:	
- Drill	- Small Level
- Pencil	- Light Weight Hammer
- Step Ladder	- Screwdriver
- Tape Measure	

### Step 2 – Mounting Brackets

The Roman Shade (a) can be mounted two ways; either Inside (Ceiling Mount) or Outside (Wall Mount) of your window frame using the provided Brackets (b). You will need to leave 3-5 inches of space from the ends of the Headrail (h) to properly mount the Brackets. ALWAYS use the Wall Anchors (d) if you are mounting the brackets onto dry wall. Using a 13/64 drill bit, drill a hole for the bracket screws. With a light weight hammer, insert the anchors until flush with the surface.



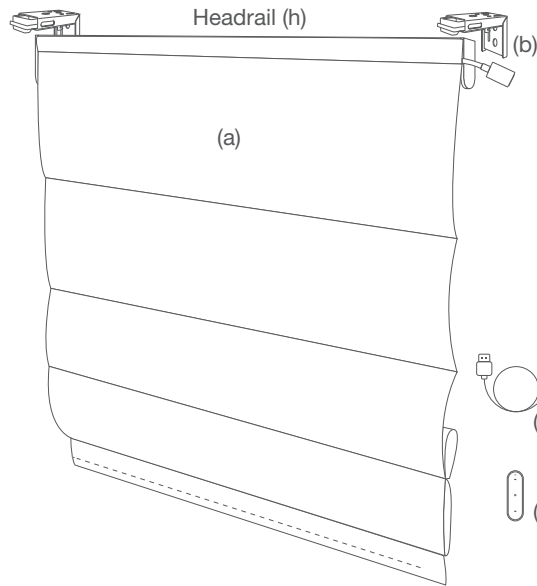
### Mounting Outside the Window Frame (Wall)

Fix the Brackets (b) on the wall outside and above the window frame. Ensure that the Brackets (b) are moved in 3-5 inches from the sides of the window frame. Then place the Bracket Screws (c) through holes on the back plate of the Bracket (b) and tighten until securely fastened to the wall.

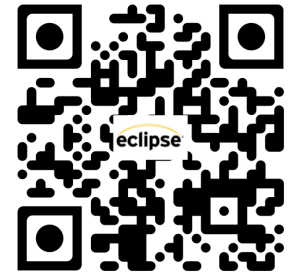


### Mounting inside the Window Frame (Ceiling)

Follow the same instructions as above to install the Wall Anchor (d), then place the Bracket (b) over the anchor. Insert the screw and fasten.



For helpful videos & more information visit [eclipsecurtains.com](http://eclipsecurtains.com) or scan the QR code below with your smartphone



### Step 3 – Fitting the Shade & Securing the Headrail



For easier fitting, detach the Roman Shade (a) from the hook and loop fastener on the front of the Headrail (h).

*\*Top fabric face is detachable, but not fully removable.*

Place the Headrail (h) onto the Brackets (b) by inserting the back side of the Headrail (h) on first and then pushing the front side upward until it snaps into place. There should be an audible click, when the Headrail (h) is secured.



Once secured, reattach the Roman Shade (a) to the hook and loop fastener on the front of the Headrail (h).

### Step 4 – Operation of Your Shade

To charge the shade:

Connect the USB-C end of the Charger Cable (f) to port attached to front of the Headrail (h). The USB-A end of the Charger Cable (f) will need to be attached to a common power supply (not provided).



To raise and lower the shade:

Press and hold the up/down button on the Remote (e) to raise/lower Shade (a) to the desired height. The middle button will stop the Shade (a) while in motion. Press up/down twice to bring Shade (a) fully up or down at once.



### Step 5 – Maintaining Your Shade

Dust your shades with a soft clean cloth or a feather duster. Lower the shade to its fullest length for a complete cleaning. You can also detach the shade from the bar, with the hook and loop fastener and lightly shake for a simple cleaning.

*\*Top fabric face is detachable, but not fully removable.*

### Function Key Description

**Motor**

M set key  
Indicator light

**Emitter**

1  
2 Press down  
3

Up  
Stop  
Down  
Front

"S"key  
Selector Switch  
Upper Confirm  
Lower Confirm  
Back

The shade has been adjusted to the best condition before delivery, so it does not need to be adjusted again. If you want to adjust, please refer to the following advanced setting functions.

### Quick Matching

**Step 1**  
Make sure the motor is energized.

**Step 2**  
Press the motor "M" button for 2", the motor rotates back and forth once. The motor enters the matching state, (Valid for 60 seconds)

**Step 3**  
The switch selects "admin" mode

**Step 4**  
Long press "S" for 2" The motor will rotate back and forth once. Match successfully

**Warning:** The running direction of the blinds is opposite to that of the emitter button. Refer to "motor reversing"

### Admin Mode

**Step 1: Set Highest Point**  
Use the button on the front to adjust the shade at the position you want. Press ▲ for 2 seconds, the motor rotates once. This position is set as the highest point.

**Step 2: Set Lowest Point**  
Use the button on the front to adjust the shade at the position you want. Press ▼ for 2 seconds, the motor rotates once. This position is set as the highest point.

**Warning:** In Admin mode, you can switch between inching operation and continuous operation, to adjust it more accurately.

Press 1 time, the shades will be in inching operation.  
Press 2 time, the shades will be in continuous operation.

### Advanced Settings

**"admin" mode**  
Emitter channel shows slow flash

**1. Motor reversing**  
The running direction of the blinds is opposite to what shows on the emitter button.

**Method 1**  
▲ Press both together until the motor rotates once  
▼

**Method 2**  
Press M key 10" motor rotates the third time

**2. Delete emitter matches**  
(1) The switch selects "admin" mode  
(2) Press "S" 5 times, motor rotates once. The match is deleted.

**"admin" mode**  
In user mode, you can operate and use this product normally without worrying about any misoperation to the motor.

**Add a new emitters**  
A motor can match one or more emitters need to be matched. See "emitter quick matching"

**There's a quick way to copy it**  
(1) The switch selects "user" mode.  
(2) Operate mated emitter. (Select the channel you want to copy.)  
Press "S" 1 time, motor rotates once  
Press "S" 1 time again, motor rotates once  
(3) Operate emitter to be added. (Select the channel you want to add)  
Press "S" 1 time, motor rotates once  
Copy complete. Repeat 1-2, delete emitter.

### Motor "M" Key

Operation	The motor feedback	Function
Repeated short press	Turn-Stop-Turn-Stop Circular motion	Emergency use in case of travel
Press for 2"	Motor rotates once	The motor enters the matching state
Press for 5"	Motor rotates twice	/
Press for 10"	Motor rotates three times	Motor reversing
Press for 15"	Motor rotates four times	Restore the factory

### Motoranzeige Light

Motoranzeige light	Reason
Quick Flash	Low Battery
Slow Flash	Charging
Light On To Off	Charging > 90%