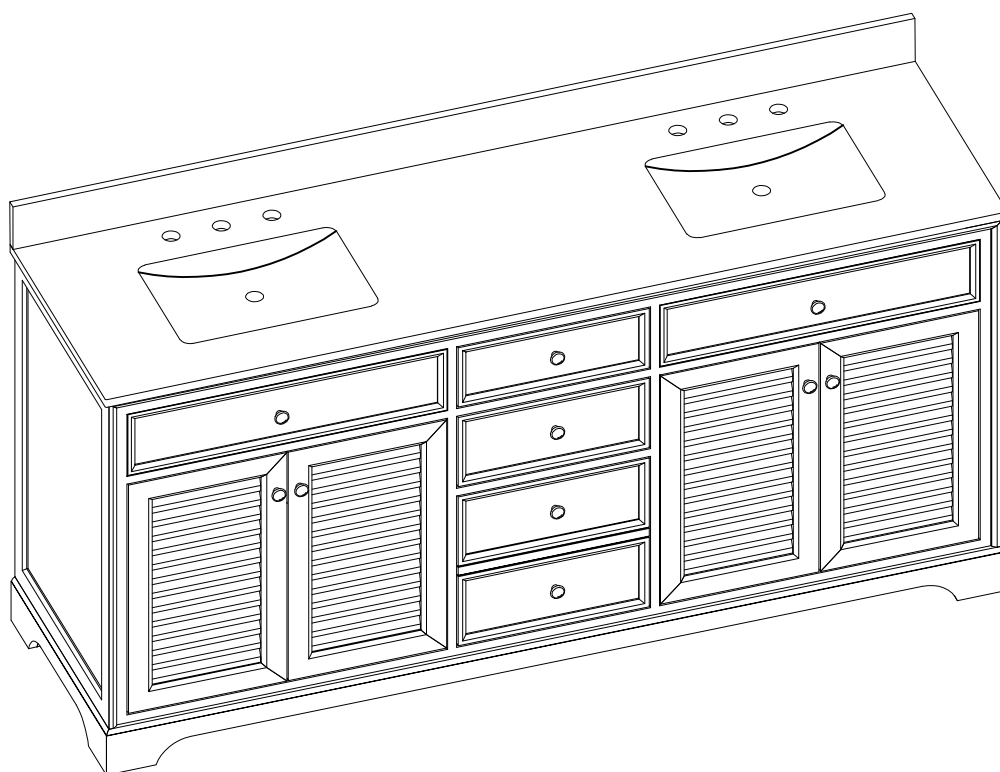


Bathroom Vanities

Assembly Instructions

E151-044-001



NOTE: Please read these instructions carefully before starting assembly.

We proudly provide 1-YEAR

warranty, if there are any questions with the products, please feel free to contact with us.

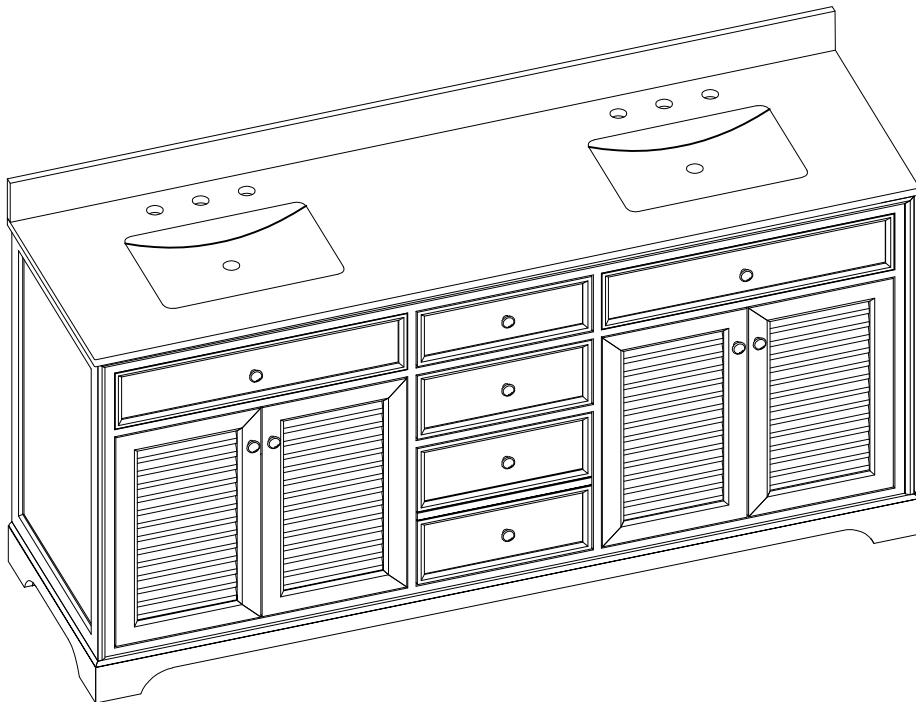
Email: home@homeselecting.com

TABLE OF CONTENTS

Package Contents	2
Safety Information	3
Warning	3
Preparation	3
Tools Required (Not included)	3
Installation Instructions	4-5
Care and Maintenance	5
Warranty	5
Replacement Parts List	5

PACKAGE CONTENTS

Carefully check all components for damages and/or missing parts prior to installation. If there are any damages or if you are missing parts, do not proceed with the installation. Report damages and/or missing parts immediately to the manufacturer. Do not dispose of packaging before you are satisfied with your new utility sink.



! SAFETY INFORMATION

Please read and understand this entire manual before attempting to assemble, operate or install the product.

! WARNING

- Keep small parts away from children.
- Some steps are more easily handled with 2 adults.

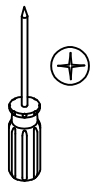
PREPARATION

Before beginning assembly of product, make sure all parts are present. Compare parts with package contents list and hardware contents list. If any part is missing or damaged, do not attempt to assemble the product.

Estimated Installation Time: 20-30 minutes (24 hours for adhesive to dry).

Tools and materials recommended for installation (not included): saw, hammer, variable speed drill, tape measure, level, adjustable wrench, stud finder, lag bolts, screwdrivers (Phillips and flathead), socket and ratchet (for lag bolts), toggle bolts (optional), clear silicone caulk/sealant (do not use plumber's putty).

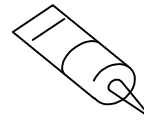
TOOLS REQUIRED (NOT INCLUDED)



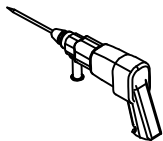
Phillips
Screwdriver



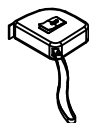
Utility Knife



Sealant



Power Drill
With Drill Bit



Measuring Tape

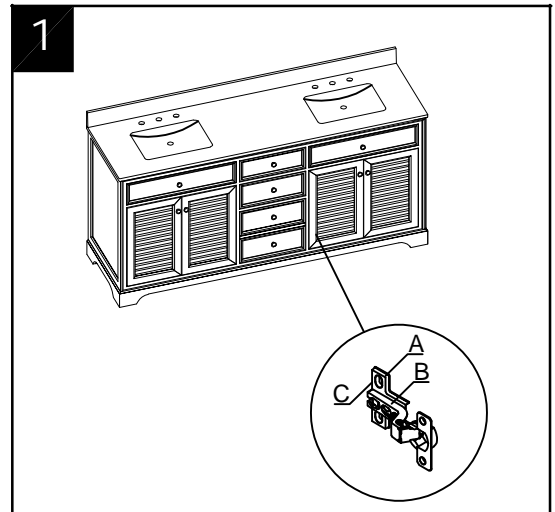


Hammer

INSTALLATION INSTRUCTIONS

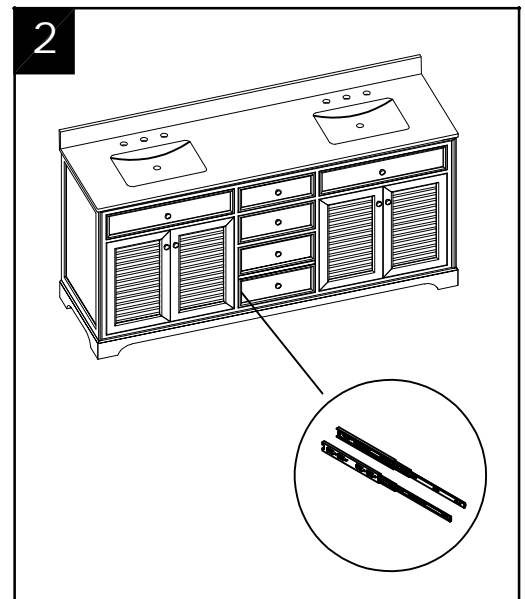
Step 1: Hinge Adjustable for Door Alignment

1. If the doors preassembled to vanity (A) require adjustment, follow the below options as needed:
To adjust door up or down, loosen screws (a), adjust door and retighten screws. To adjust door left and right, turn screw (b) in or out. To adjust door in and out, loosen screw (c), adjust door and retighten screws.



Step 2: Vanity Drawer Removal

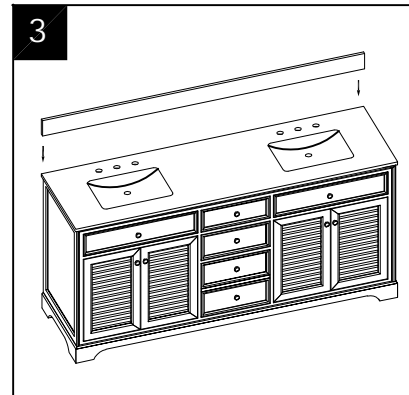
- 2a. Open the preassembled drawer as far as possible.
- 2b. Simultaneously press the plastic cards on the left and right rails. Pull out the drawer.
- 2c. Once both plastic cards are held in the indicated position, pull the drawer straight out.



INSTALLATION INSTRUCTIONS

Step3: Backsplash Installation

3. To mount the backslash (C) to the wall, apply a thin bead of silicone compound (not included) to the unpolished back side and bottom of the backsplash (C). Position backsplash (C) as shown onto vanity top (B) and against the wall. Clean any excess silicone compound before allowing it to dry.



CARE AND MAINTENANCE

Dust the vanity regularly with a soft, non-lint producing cloth or household dusting product. You can clean the vanity with a gentle, non-abrasive household cleaner.

Make sure to dry the wood immediately with a soft cloth or towel.

The engineered stone top surface is very sensitive to acid-alkaline liquids and materials, such as toothpaste, hand soap, cologne, perfume, nail polish remover, hair color and perm products, shampoo, drain and toilet bowl cleaner, alcohol, lemon juice, medications, etc.

Please try to avoid contact of these acid-alkaline liquids and materials with the vanity top surface when possible. If these liquids or materials spill onto the surface, wipe it off immediately. Always clean the surface and keep it dry after use.

Tips for using touch-up pen (AA): For scratches, stroke in direction of scratch. Rub off excess colorant promptly with a soft cloth.

WARRANTY

The manufacturer provides a one-year limited warranty for residential use. The vanity combo will be free from manufacturing defects, provided the original purchaser resides in or owns the home of installation, and provided the vanity combo is installed and maintained according to the installation and maintenance instructions contained within and supplied by the manufacturer. The liability will be limited to cost of products only. This warranty is in lieu of any other implied or expressed warranties. This warranty applies only to the original purchaser. This warranty does not apply to any damage on the product by accident, misuse, or modified, improper installation or by affixing accessories not produced by the manufacturer. The manufacturer shall not be legally responsible for incidental, consequential or special damages arising at or in connection with product use or performance except as may otherwise be accorded by law.

REPLACEMENT PARTS LIST

warranty, if there are any questions with the products, please feel free to contact with us.

Email: home@homeselecting.com