

# 01 Table of Contents

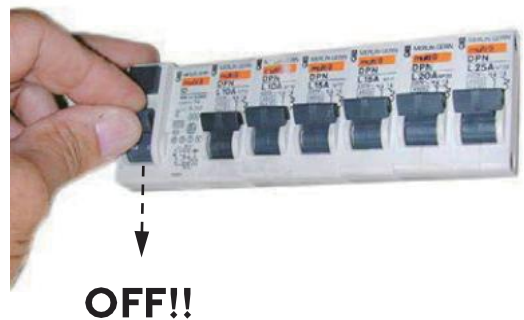
Safety Information	02	Remote control manual	07
Warranty	03	Match code	08
Ceiling installation	04	Care and cleaning	09
Accessory drawing	05	Trouble shooting	10
Installation procedure	06		

# 02 Safety Information

**READ ALL SAFETY INFORMATION AND INSTALLATION INSTRUCTIONS BEFORE YOU BEGIN INSTALLING THE FAN AND SANE INSTRUCTIONS.**



**Warning:**  
**Kindly turn off the power**  
**when connecting cables.**



1. To reduce the risk of electric shock, ensure the electricity has been turned off at the circuit breaker or fuse box before you begin.
2. All wiring must be in accordance with the National Electrical Code ANSI/NFPA 70-1999 and local electrical codes. Electrical installation should be performed by a qualified licensed electrician.
3. The outlet box and support structure must be securely mounted and capable of reliably supporting 35 lbs. (15.9 kg). Use only UL Listed outlet boxes marked "Acceptable for Fan Support of 35 lbs. (15.9 kg) or less".
4. The fan must be mounted with a minimum of 7 ft. (2.1 m) clearance from the trailing edge of the blades to the floor.
5. Do not place objects in the path of the blades.
6. To avoid personal injury or damage to the fan and other items, use caution when working around or cleaning the fan.
7. Electrical diagrams are for reference only. Light kits that are not packed with the fan must be UL-listed and marked suitable for use with the model fan you are installing. Switches must be UL General Use Switches. Refer to the instructions packaged with the light kits and switches for proper assembly.
8. After making electrical connections, spliced conductors should be turned upward and pushed carefully up into the outlet box. The wires should be spread apart with the grounded conductor and the equipment-grounding conductor on one side of the outlet box.
9. All setscrews must be checked and re-tightened where necessary before installation



**WARNING:** To reduce the risk of personal injury, do not bend the blade brackets (also referred to as flanges) during assembly or after installation. Do not insert objects in the path of the blades.



**WARNING:** To reduce the risk of fire or electric shock, this fan is NOT suitable for use with solid-state speed controls.



**WARNING:** To avoid possible electrical shock, make sure that the electricity is turned off at the main power box before starting work. If you feel you do not have enough electrical wiring knowledge or experience, contact a licensed electrician.



**WARNING:** Electrical diagrams are for reference only. Optional use of any light kit shall be UL-listed and marked suitable for use with this fan



**WARNING:** To reduce the risk of fire, electrical shock or personal injury, ensure that the fan mounting bracket is supported directly from the building structure or the outlet box marked "Acceptable for Fan Support of 35 lbs. (15.9 kg) or less". Use only the screws provided with the outlet box.

## 03 Warranty

---

The supplier warrants the fan motor to be free from defects in workmanship and material present at time of shipment from the factory for a lifetime after the date of purchase by the original purchaser. The supplier also warrants that all other fan parts, excluding any glass or acrylic blades, to be free from defects in workmanship and material at the time.

of shipment from the factory for a period of two years after the date of purchase by the original purchaser. We agree to correct such defects without charge or at our option replace with a comparable or superior model if the product is returned.

To obtain warranty service, you must present a copy of the receipt as proof of purchase. All costs of removing and re-installing the product are your responsibility. Damage to any part such as by accident, misuse, improper installation, or by affixing any accessories, is not covered by this warranty.

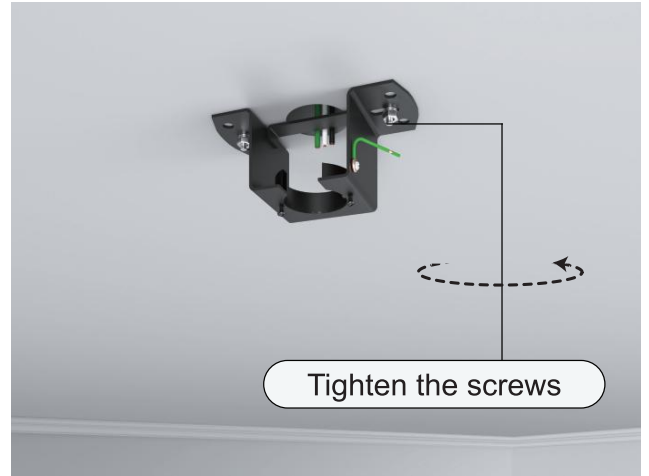
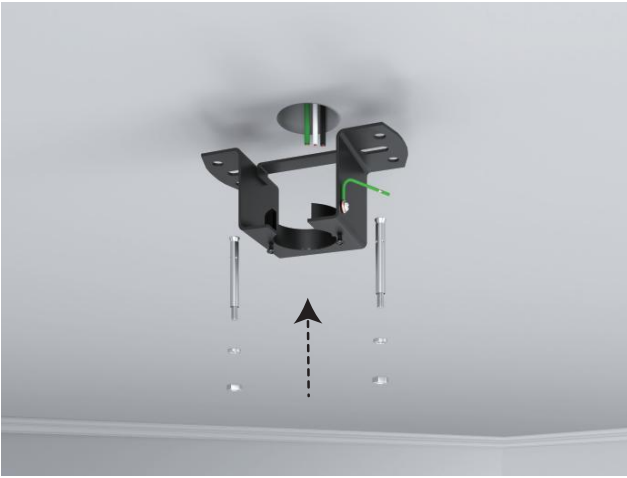
Because of varying climatic conditions this warranty does not cover any changes in brass finish, including rusting, pitting, corroding, tarnishing, or peeling. Brass finishes of this type give their longest useful life when protected from varying weather conditions. A certain amount of "wobble" is normal and should not be considered a defect.

Servicing performed by unauthorized persons shall render the warranty invalid. There is no other express warranty. Sofucor hereby disclaims any and all warranties, including but not limited to those of merchant ability and fitness for a particular purpose to the extent permitted by law. The duration of any implied warranty which cannot be disclaimed is limited to the time period as specified in the express warranty. Some states do not allow a limitation on how long an implied warranty lasts, so the above limitation may not apply to you.

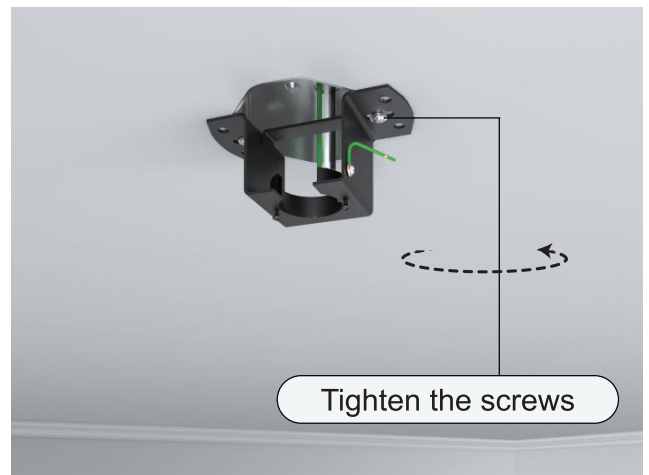
The retailer shall not be liable for incidental, consequential, or special damages arising out of or in connection with product use or performance except as may otherwise be accorded by law. Some states do not allow the exclusion of incidental or consequential damages, so the above exclusion or limitation may not apply to you. This warranty gives specific legal rights, and you may also have other rights which vary from state to state. This warranty supersedes all prior warranties. Shipping costs for any return of product as part of a claim on the warranty must be paid by the customer.

## 04 Three ceiling installation methods

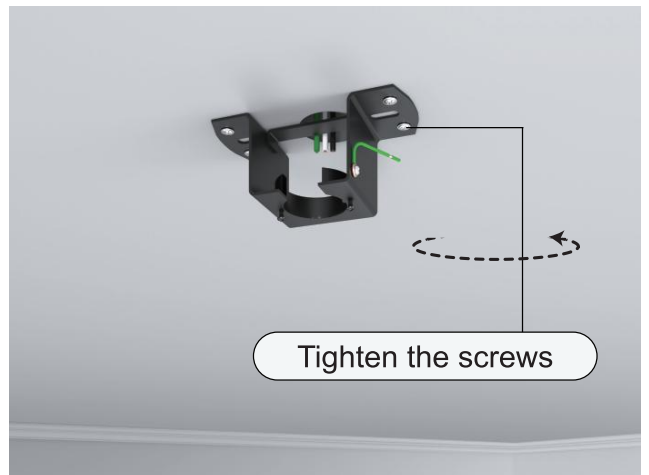
### Concrete Ceiling Mounting Bracket



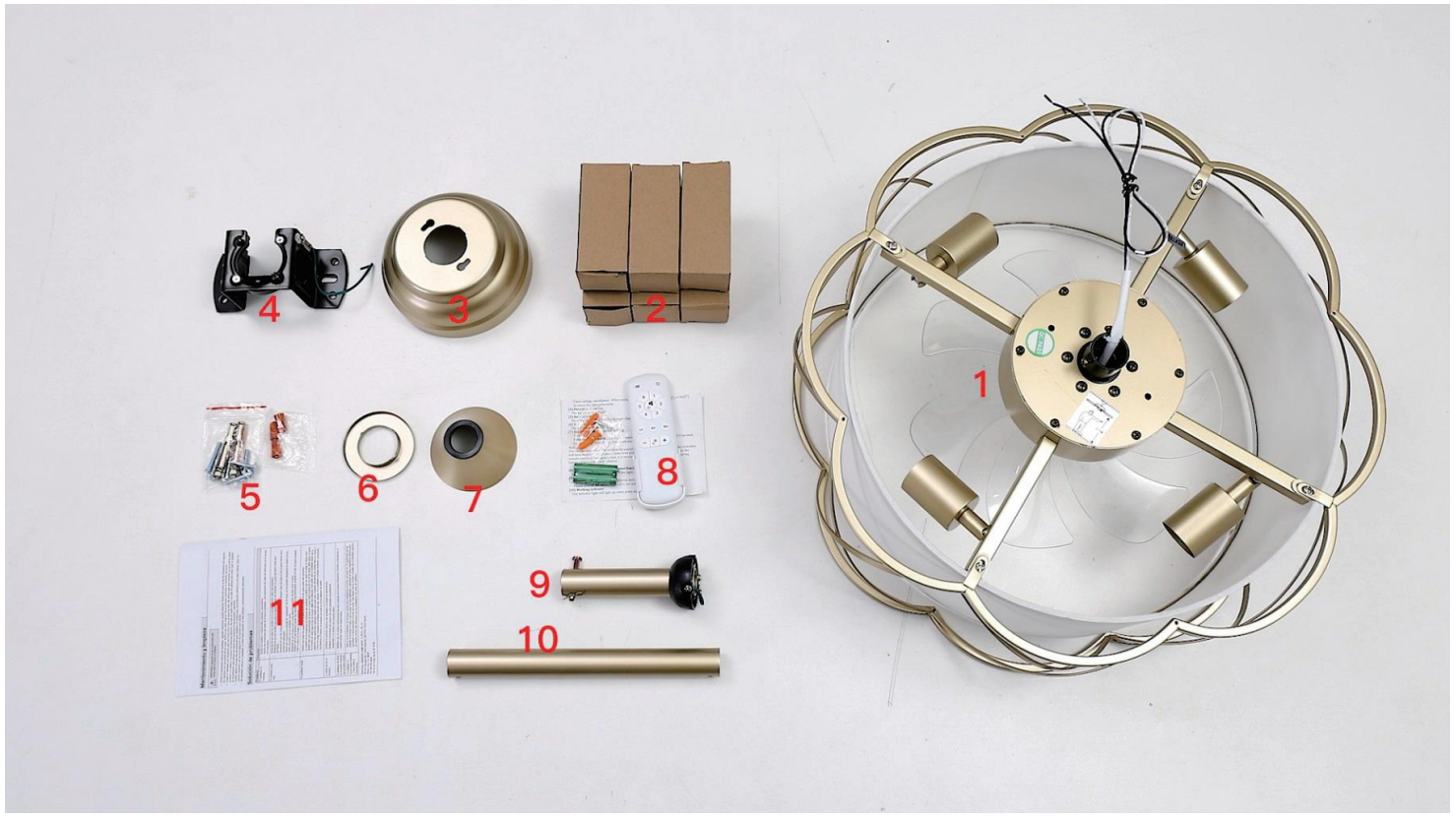
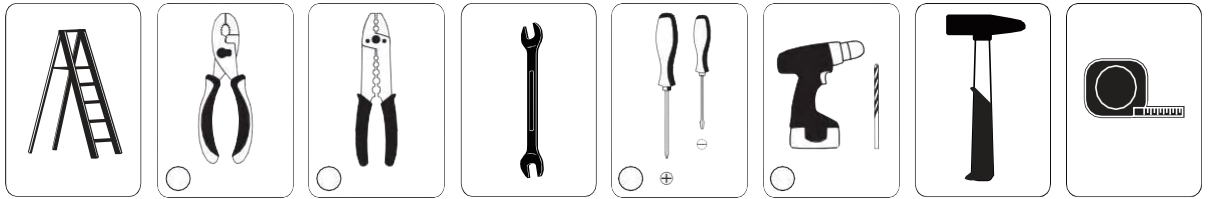
### Hanger for Junction Box Mounting Bracket



### Wooden ceiling Mounting Bracket

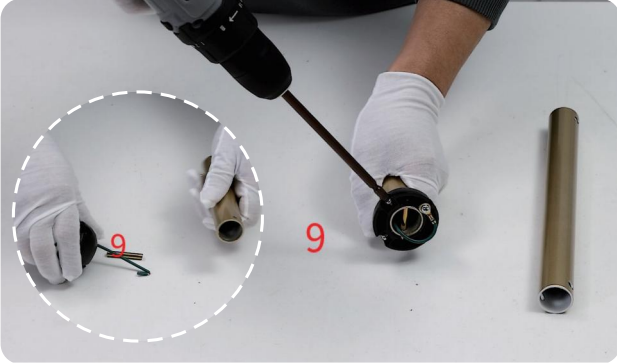


# 05 Accessory drawing



## 06 Installation procedure

1. Remove 2 screws on the hanger ball.  
Remove the hanger ball and bolt.



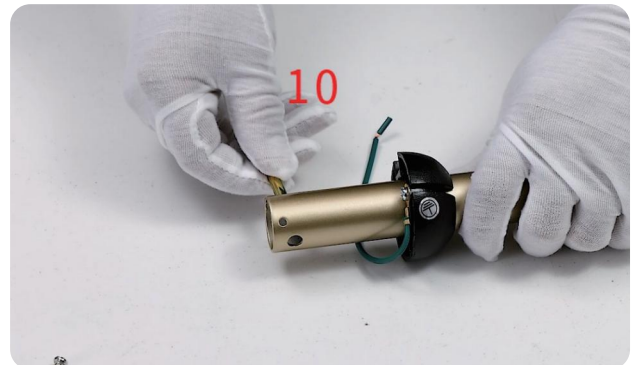
2. Remove the lock pin and the bolt of the  
base of the downrod.



3. Put the hanger ball through the  
downrod.



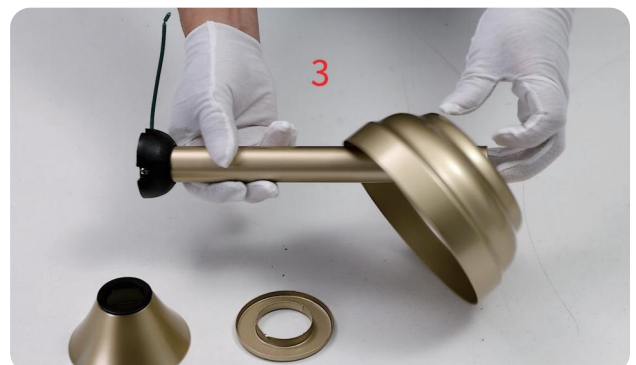
4. Insert the bolt.



5. Align the screw holes of the hanging  
ball and boom, use screws to align the  
screw holes and tighten the screws.



6. Put the canopy through the downrod.

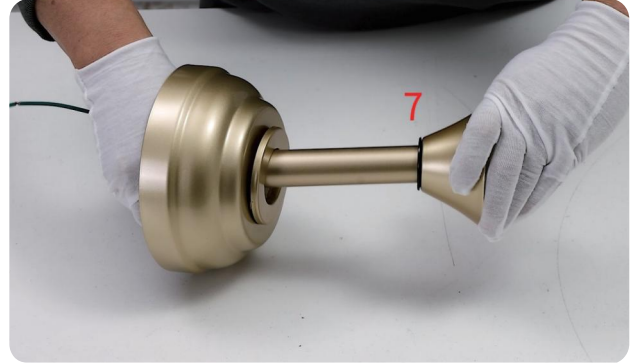


## 06 Installation procedure

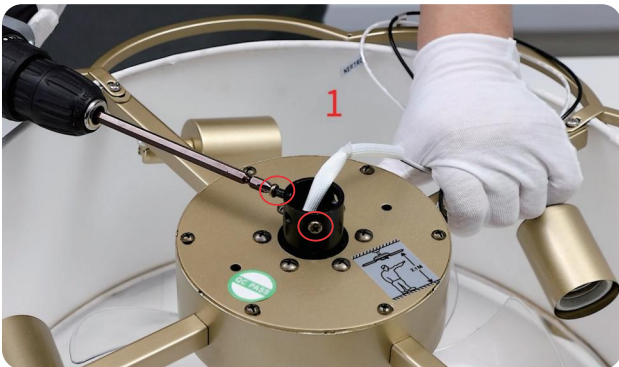
7. Put the canopy cover through the downrod.



8. Put the decorative cover through the downrod.



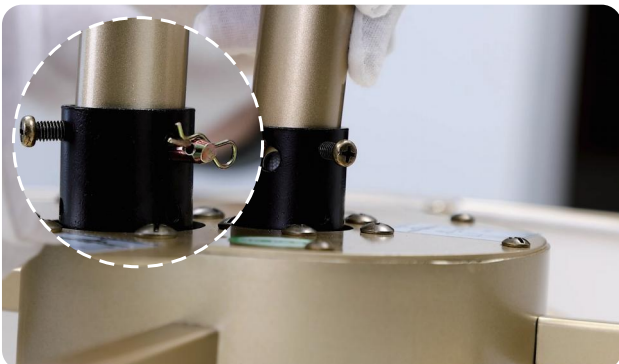
9. Loosen the screws.



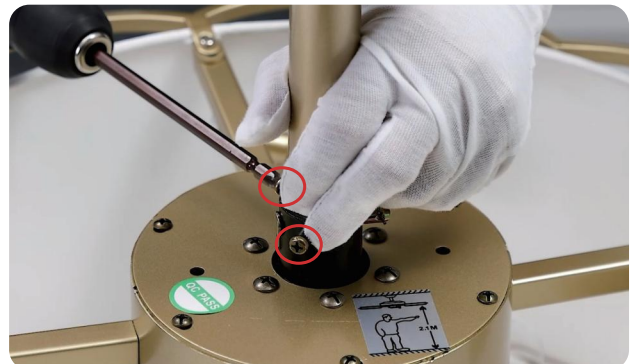
10. Select one downrod and pass all motor wires through the downrod.



11. Insert the bolt.  
Fix the bolt with the lock pin.

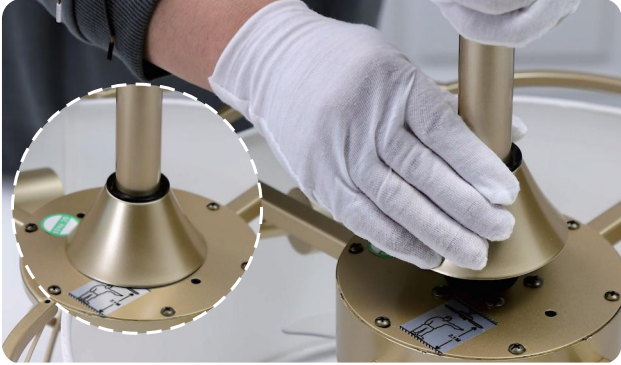


12. Tighten the 2 screws to prevent fan shaking during operation



## 06 Installation procedure

13. Slide the decorative cover onto the motor.



14. Loosen 2 screws from the mounting bracket (do not remove them all).



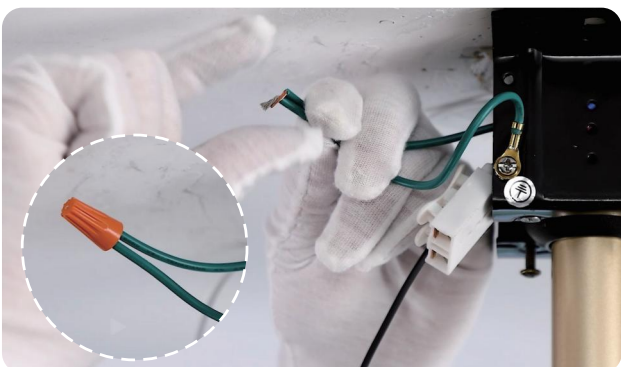
15. Install the mounting bracket, tighten the screws.



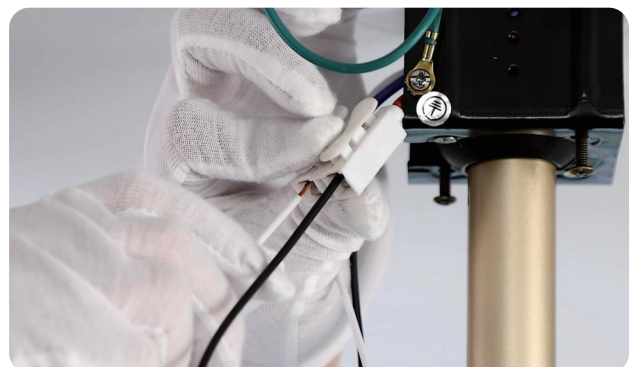
16. Install the downrod, put the rod ball to the slide-on mounting bracket (both of them have the gaps, align the gap and jam it).



17. Use wire connecting nuts to connect the two ground wires (Green)



18. Connect the fan live wire (black) to your house live wire; Connect the fan neutral wire (white) to your house neutral wire



## 06 Installation procedure

19. Lift the canopy into place so that the screw holes are aligned.



20. Wrap keyhole slots around the screws, twist clockwise and tighten 2 screws



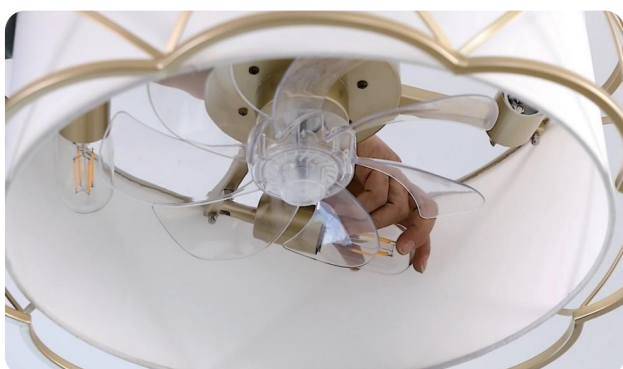
21. Lift the canopy cover to the canopy, then turn and tighten.



22. Remove the bulbs from the packaging box.



23. Install the bulbs on the lamp holder one by one.

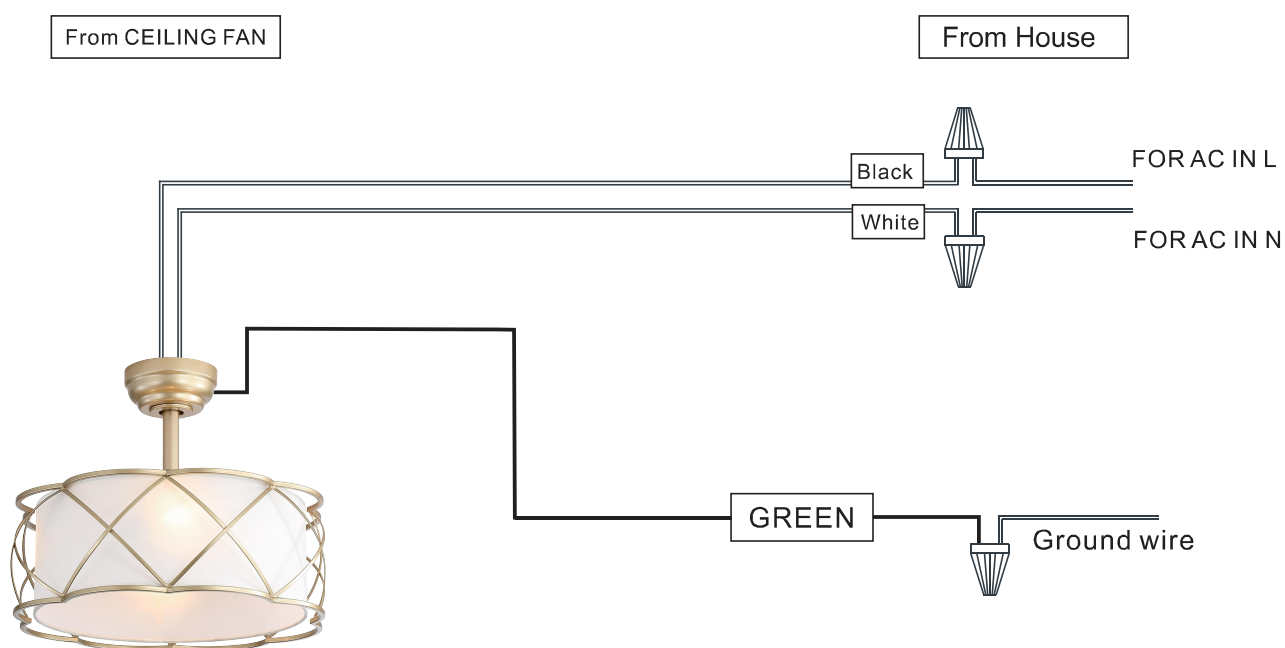


## 06 Installation procedure

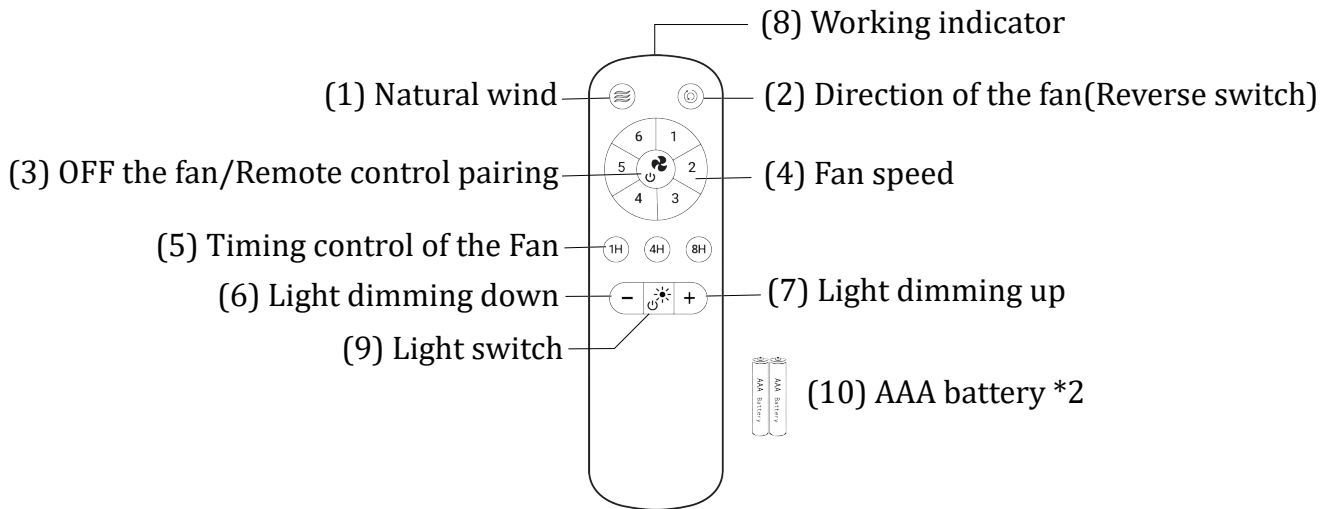


WARNING: Turn off the electric power during installation and making wire connection.

1. Connect the wire which from ceiling fan into the receiver
2. Connect the wire from receiver with the wire from house.



## USER MANUAL FOR REMOTE CONTROL TRANSMITTER



### (1) Natural wind

Press the key, the fan speed automatic change between 1 to 6 speed.

### (2) Direction of the fan

Press this key to change the running direction of the fan.

### (3) OFF the fan

- Trun OFF the Fan .
- Remote control pairing: when AC power on, press and hold the key for 3-5 seconds, the finish the remote control pairing.

Notice:

The remote controller only needs to be paired once. After the paired product, the controller will have memory. The products have been paired before leaving the factory. When the remote control is damaged or lost, it is necessary to implement remote control pairing before using a new remote control.

### (4) Fan speed

Press 1-6 key to start the fan. (Maxium speed: 6)

### (5) Timing control of the Fan

- Press keys 1H / 4H / 8H to set up the timer at 1hour ,4 hours or 8 hours.  
At the end of the timing, the fan will be automatically turned off.
- Timer setting cancellation : When timing function is working, press any one of 1H,4H or 8H will cancel the timing function.

### (6) Light dimming down

When light is on, press and hold this key , the light gradually dimmed.

### (7) Light dimming up

When light is on, press and hold this key , the light gradually brightened.

### (8) Working indicator

The indicator light will light up when press any key of the remote control.

### (9) Light ON/OFF switch

Press this key to turn ON or turn OFF the light.

### (10) AAA battery \* 2

- Please install 2 pieces of AAA batteries before use.
- Please remove the battery when it is not used for a long time.

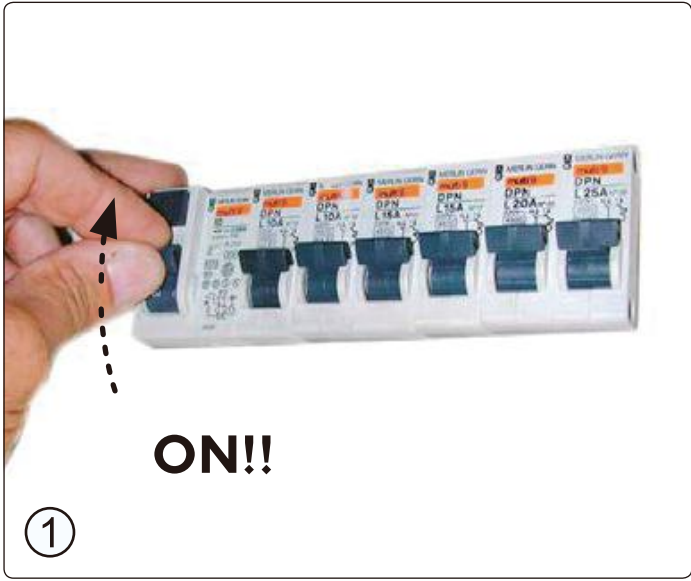
**Note: the remote control must match the same code receiver**

 **When the reversible button is pressed, the fan slowly slows down to a stop and then begins to reverse.**

# 08 Match code



if it does not work



1. Turn on the main switch.



2. Pressing and holding this key for 5 seconds.