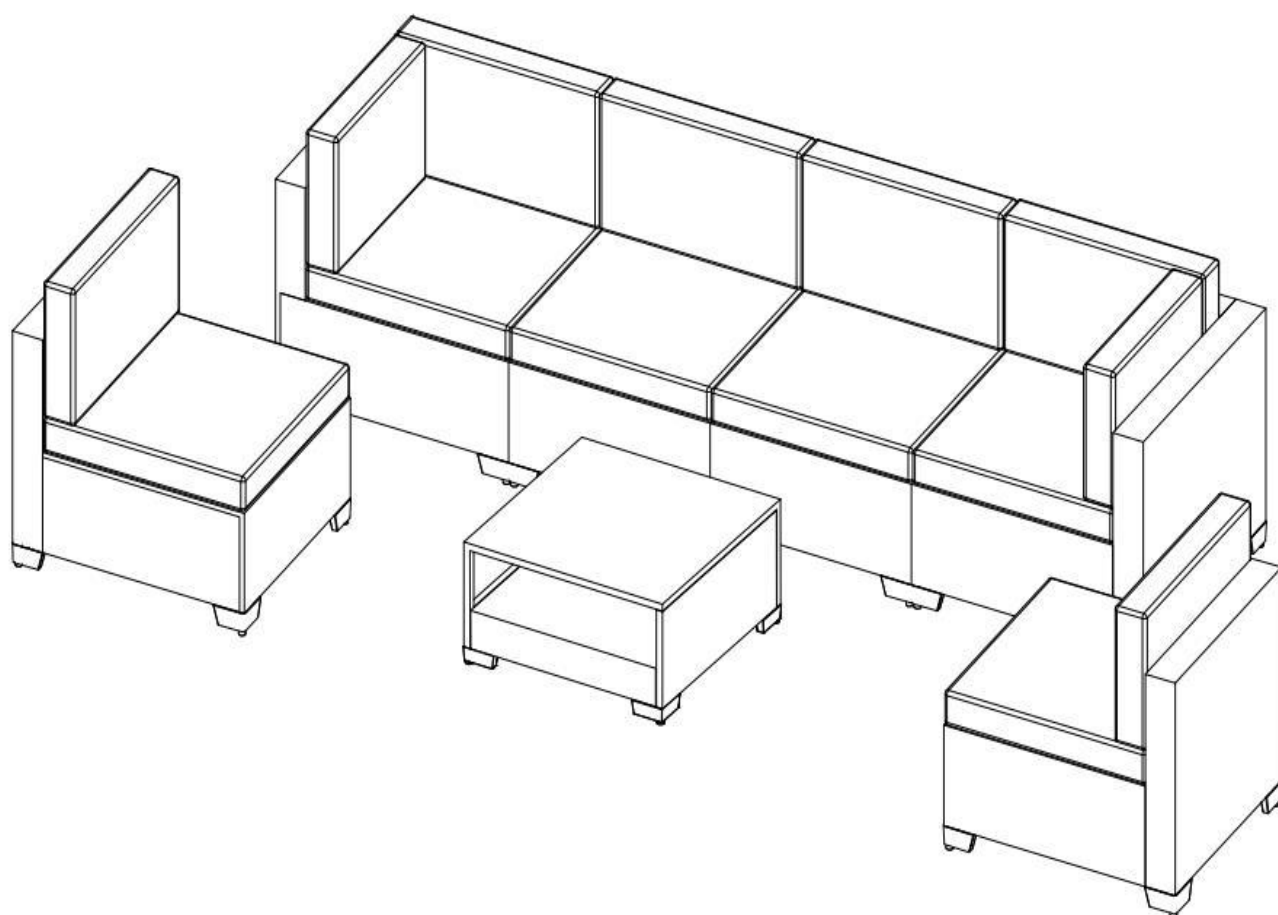


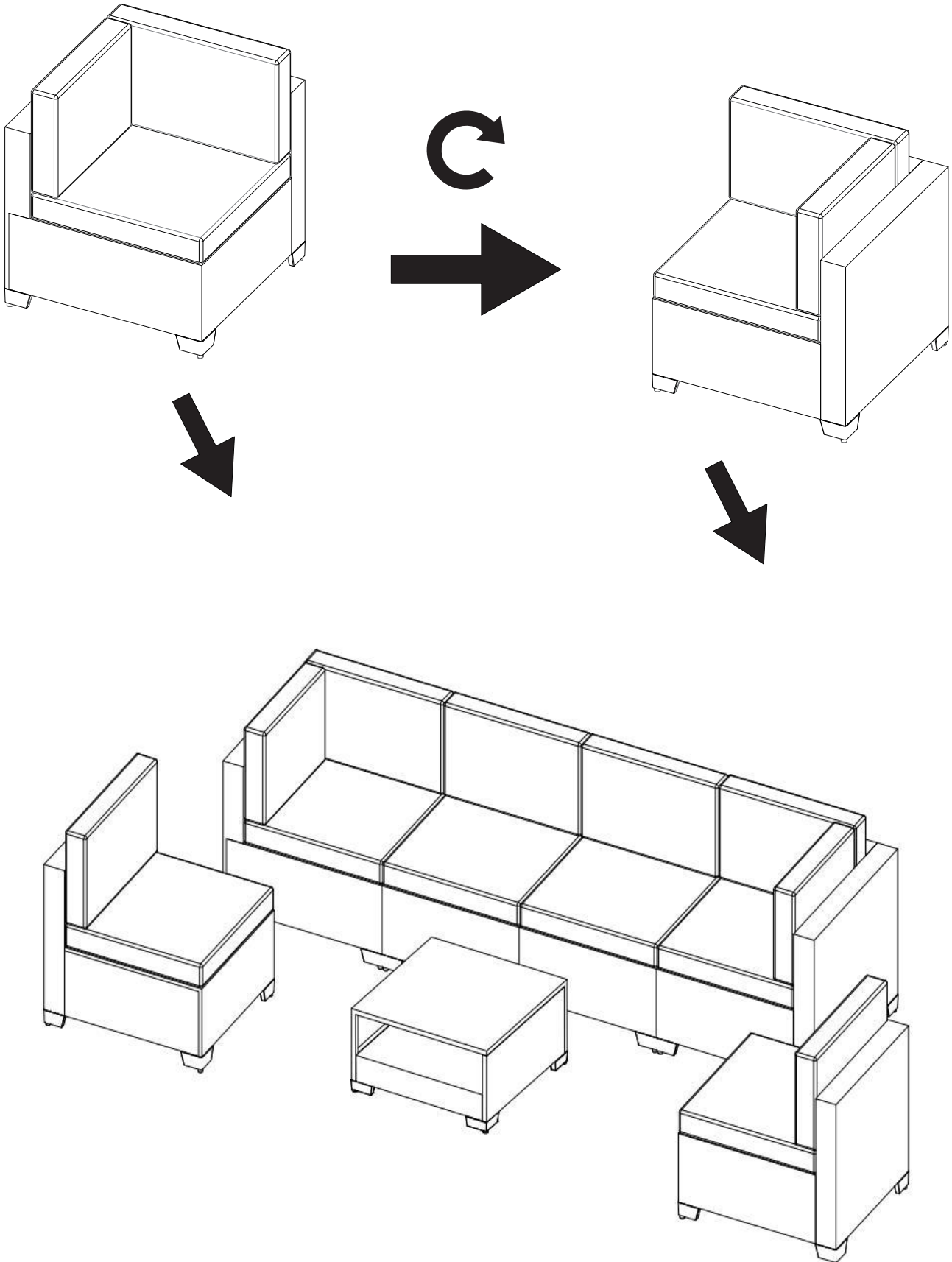
7 Pcs Sofa Set

Instructions



IMPORTANT

This 7 pcs sofa's corner sofas are completely identical. Just rotate it 90 degrees to fit the combination.



Care & Instructions

Thank you for ordering the 7 pcs sofa set, here are some tips which may help you:

1. This 7 pcs sofa set comes in 3 boxes. If you only receive 1 box or 2 boxes, please do not worry. The others will arrive very soon.

2. Carton A contains 2 middle sofas plus 1 coffee table; Carton B contains 2 middle sofas; Carton C contains 2 corner sofas (The corner sofas are completely identical).

3. If any part is damaged or missing (please refer to packing list on page 7~9), please feel free to contact us. We will send you the replacement immediately.

4. In order to prolong the sofa set's service life, we suggest that you put all the cushions indoor on a rainy day.

5. We hope you can enjoy our product, if you have any other problem, please feel free to contact us.

How To Cover Holes & Repair Broken Wicker



Step 1



Step 2



Step 3



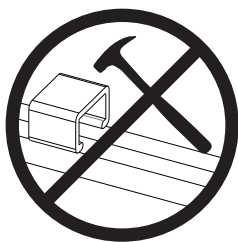
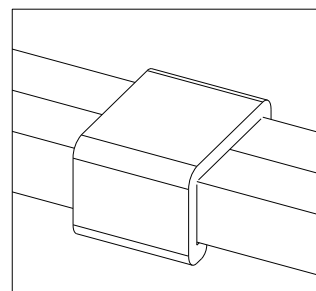
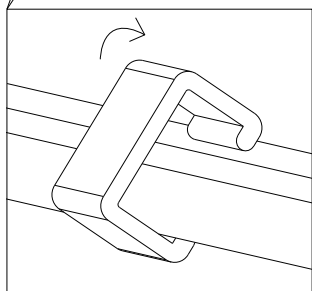
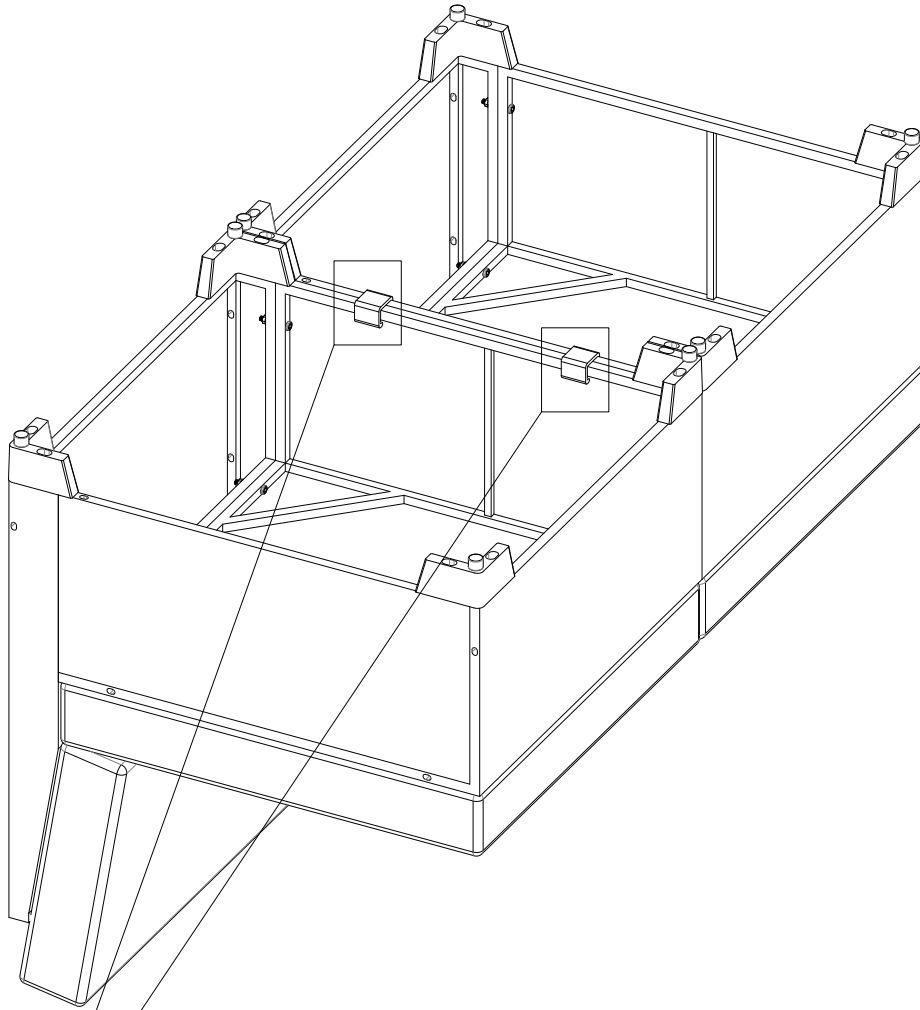
Step 4

You can use two pieces PE wicker to cover the hole, and repeat the steps to cover all the holes. These PE wicker can also be used to repair the scratch or broken wicker.

Catalog

Important.....	02
Care & Instructions	03
How to Cover Holes & Repair Broken Wicker.....	03
How to Assemble U-Shaped Connector.....	05
How to install Velcro.....	06
Parts List of Box A	07
Parts List of Box B.....	08
Parts List of Box C	09
How to Assemble Corner Sofa	10
How to Assemble Middle Sofa..	12
How to Assemble Coffee Table	14

U-Shaped Connector



Notice:
Do not use tools such as hammers;
You can scald it with hot water to soften it.

Velcro installation



Do not use machine

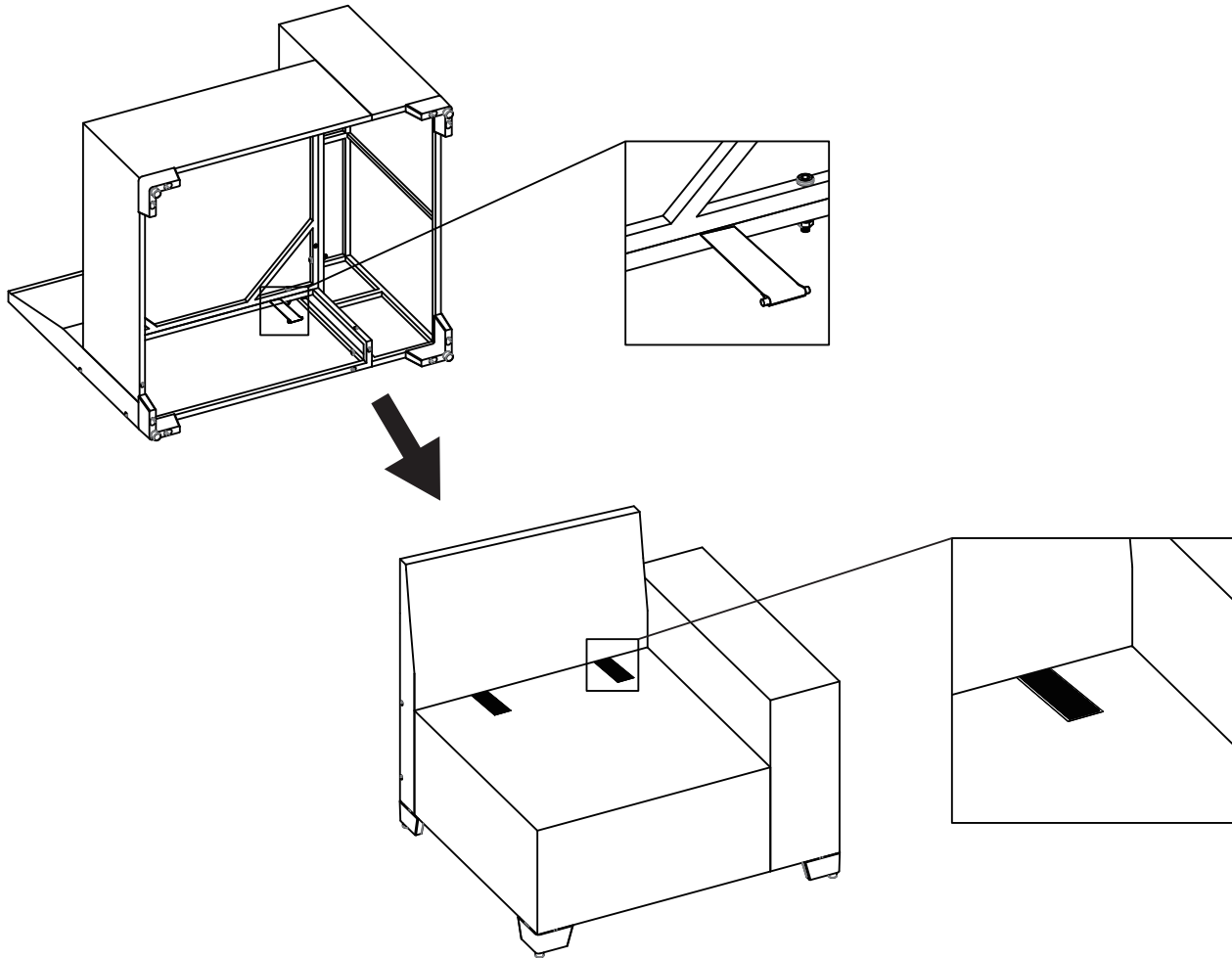


Two Persons together

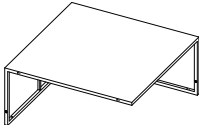
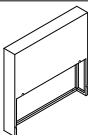
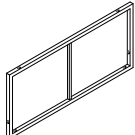


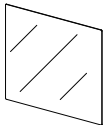

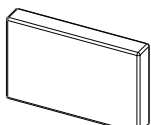
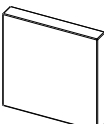
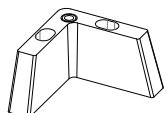
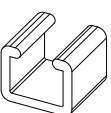


Need 25mins roughly

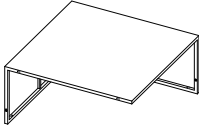
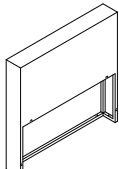
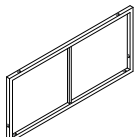
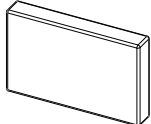
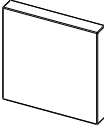
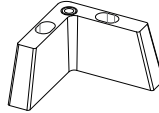
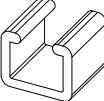
Step 1: Tuck the prickly tie out of the seam at the bottom of the sofa. Pull out the prickly tie from the surface of the sofa to spread out and adjust to the right position.



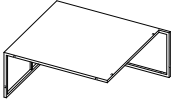
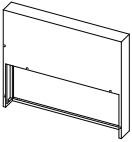
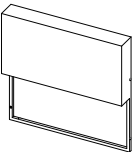
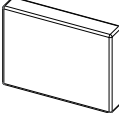
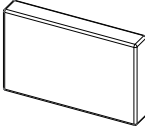
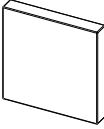
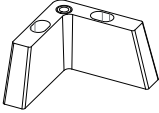
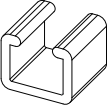
Packing List of Box A

Box	Img	Part Name	Label No.	Qty
Box A		Middle Sofa Seat Part	A	2
		Middle Sofa Back Part	B	2
		Middle Sofa Side Part	C	2
		Coffee Table Top	D	1
		Coffee Table Side Part	E	1
		Coffee Table Glass Top	GLS	1
		Coffee Table Connector	F	1
		Long Back Cushion With Cover	LBCC	2
		Seat Cushion With Cover	SCC	2
		High L-Shaped Feet	O	12
		U-Shaped Connector	U	4
	-	Instructions	-	1
	-	Screw Set	SSA	1

Packing List of Box B

Box	Img	Part Name	Label No.	Qty
Box B		Middle Sofa Seat Part	A	2
		Middle Sofa Back Part	B	2
		Middle Sofa Side Part	C	2
		Long Back Cushion With Cover	LBCC	2
		Seat Cushion With Cover	SCC	2
		High L-Shaped Feet	O	8
		U-Shaped Connector	U	4
	-	Instructions	-	1
	-	Screw Set	SSA	1

Packing List of Box C

Box	Img	Part Name	Label No.	Qty
Box C		Corner Sofa Seat Part	H	2
		Corner Sofa Long Back Part	I	2
		Corner Sofa Short Back Part	J	2
		Short Back Cushion With Cover	SBCC	2
		Long Back Cushion With Cover	LBCC	2
		Seat Cushion With Cover	SCC	2
		High L-Shaped Feet	O	8
		U-Shaped Connector	U	4
	-	Instructions	-	1
	-	Screw Set	SSC	1

Corner Sofa



Do not use machine

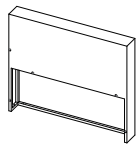
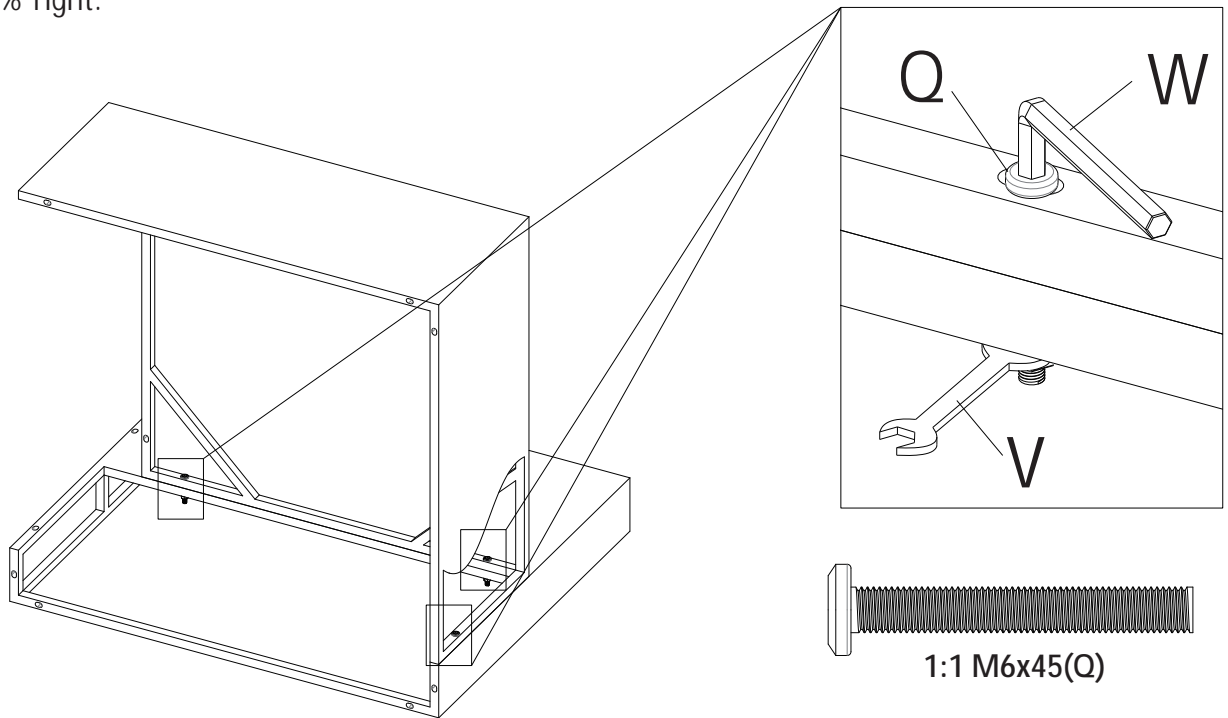


Two Persons together

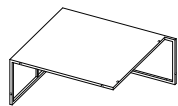


Need 25mins roughly

Tips: Do not 100% Tight.



I x 1



H x 1



M6x45(Q) x 3

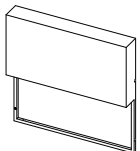
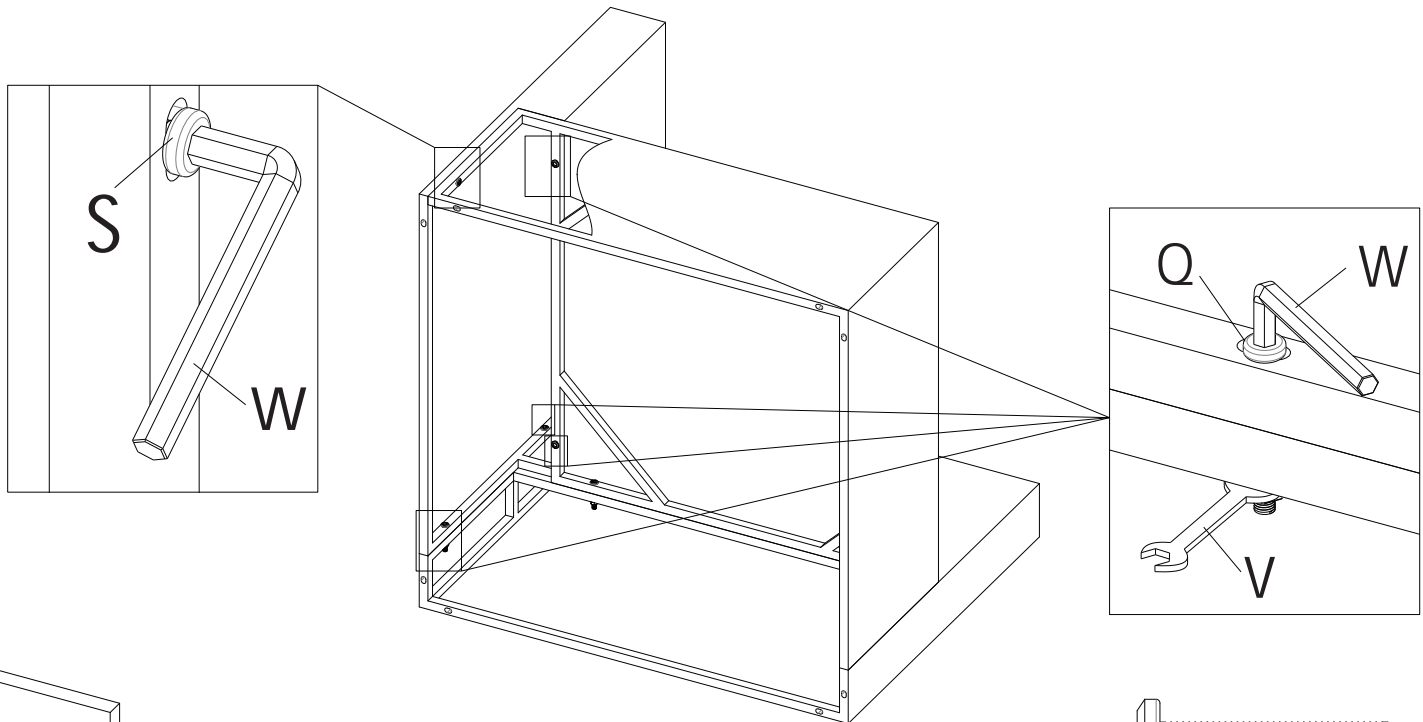


Wrench(V) x 1



Spanner(W) x 1

Tips: Screws 100% Tight This Step.



J x 1



M6x45(Q) x 4



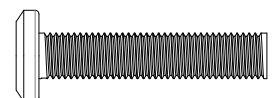
M6x30(S) x 1



Wrench(V) x 1



Spanner(W) x 1



1:1 M6x30(S)

Corner Sofa



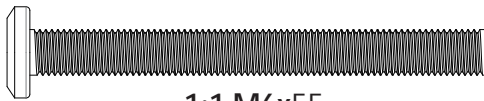
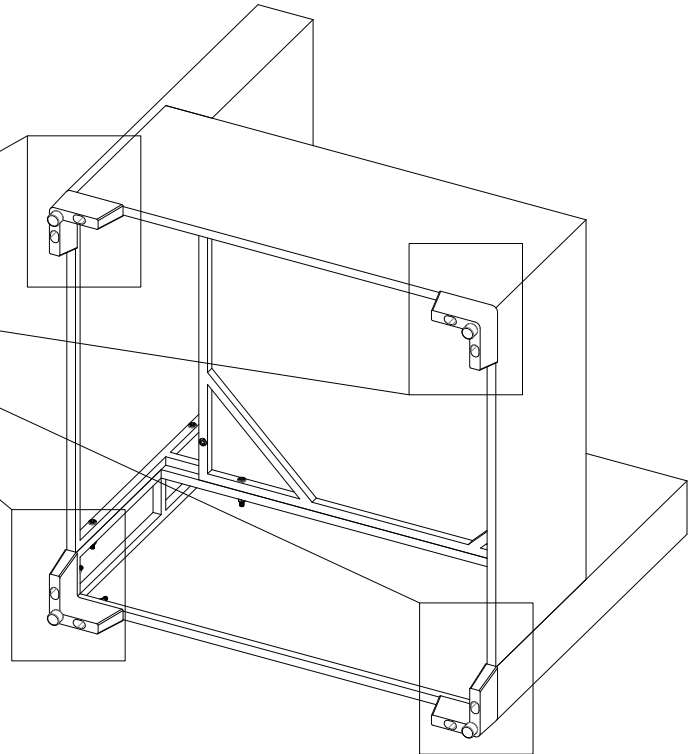
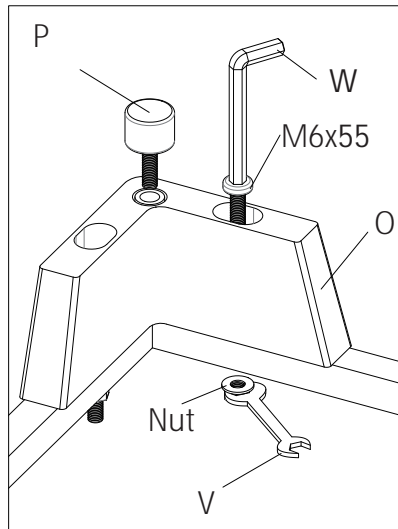
Do not use machine



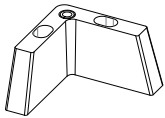
Two Persons together



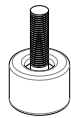
Need 25mins roughly



1:1 M6x55



High L-Shaped Feet x 4



Screw Feet(P) x 4



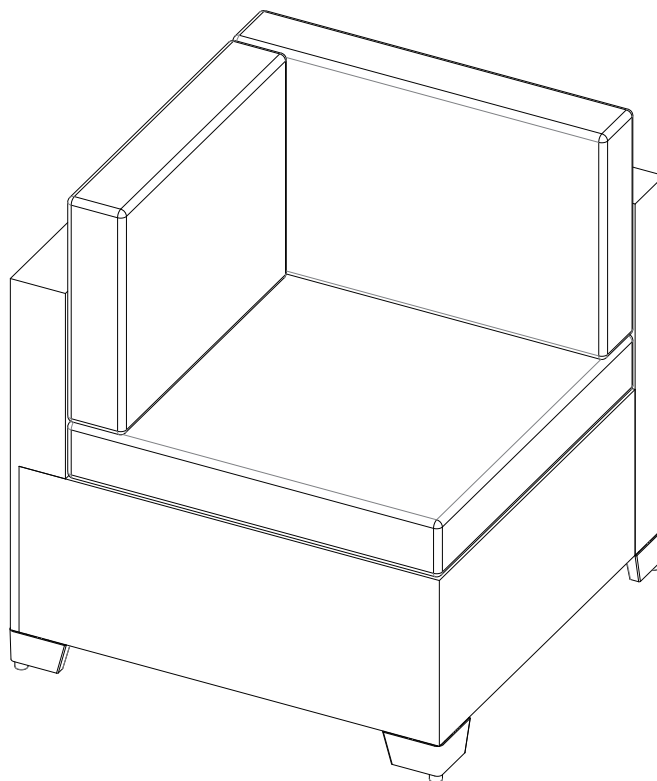
M6x55x 8



Wrench(V) x 1



Spanner(W) x 1



Tips:

Seat Cushion x 1

Long Back Cushion x 1

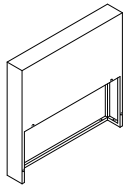
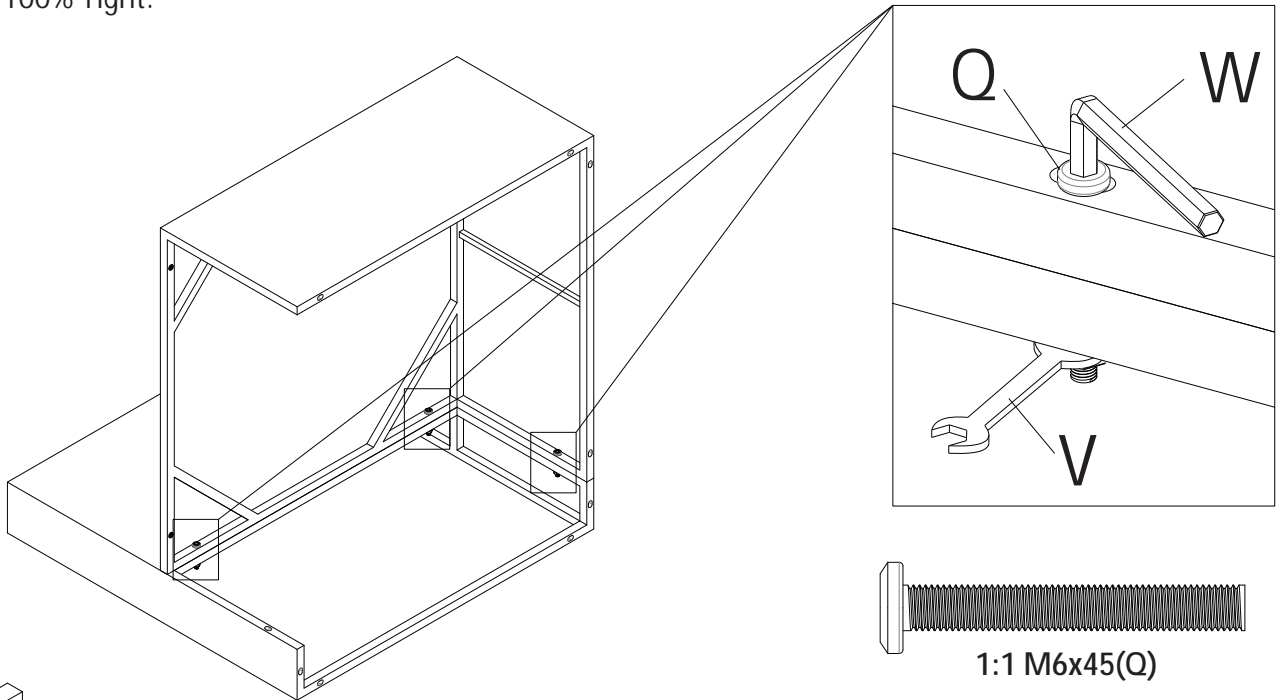
Short Back Cushion x 1

Middle Sofa

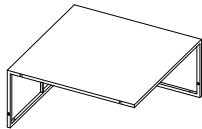


Do not use machine Two Persons together Need 25mins roughly

Tips: Do not 100% Tight.



B x 1



A x 1



M6x45(Q) x 3



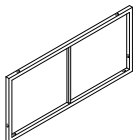
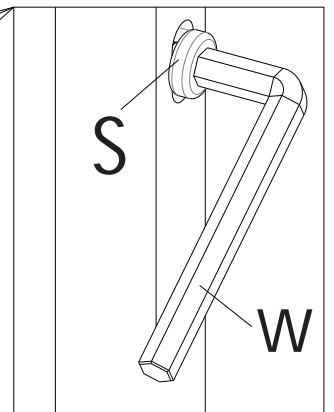
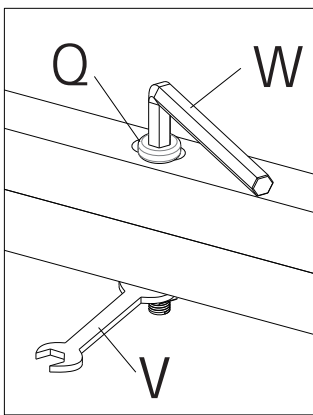
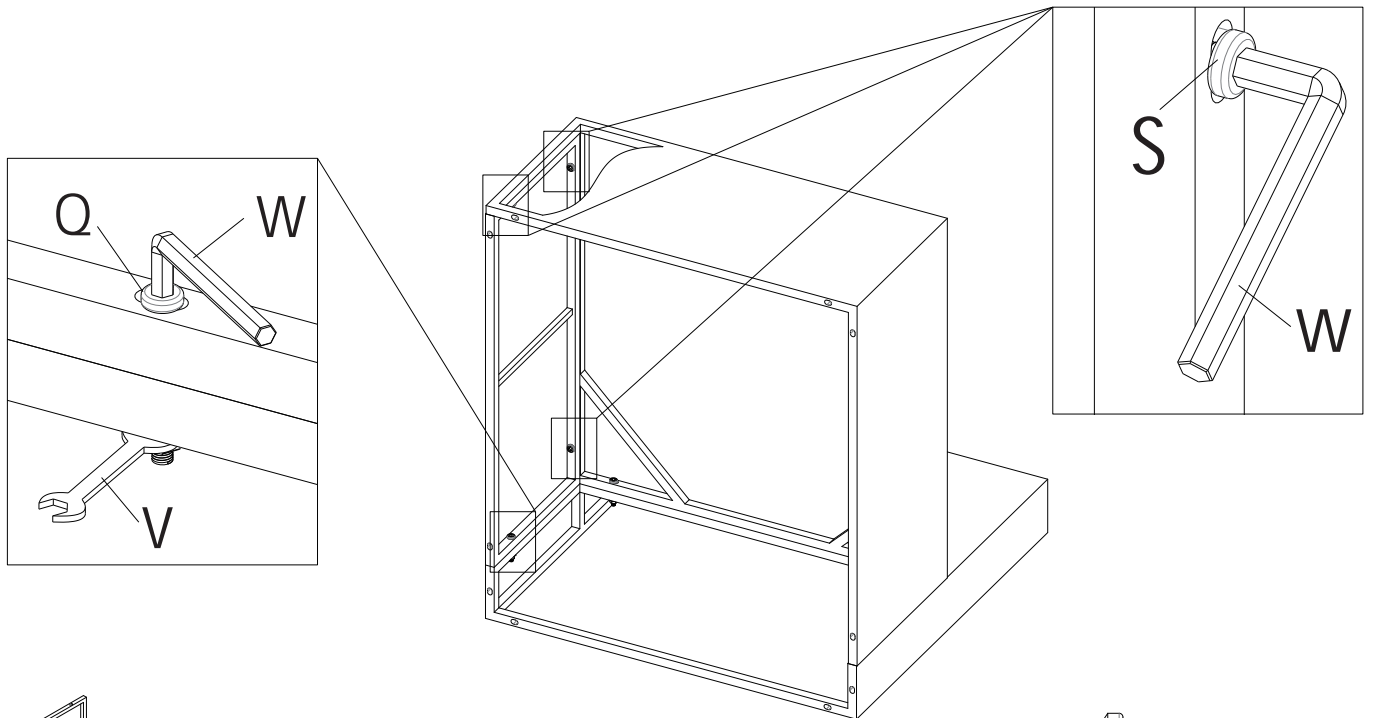
Wrench(V) x 1



Spanner(W) x 1

1:1 M6x45(Q)

Tips: Screws 100% Tight This Step



C x 1



M6x45(Q) x 1



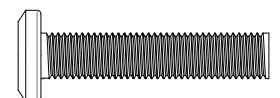
M6x30(S) x 3



Wrench(V) x 1



Spanner(W) x 1



1:1 M6x30(S)

Middle Sofa



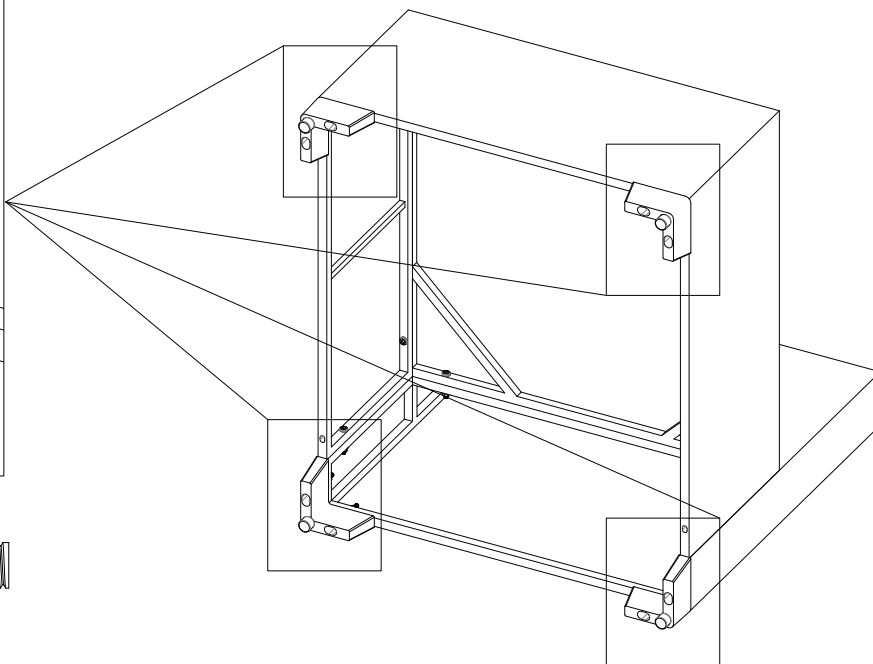
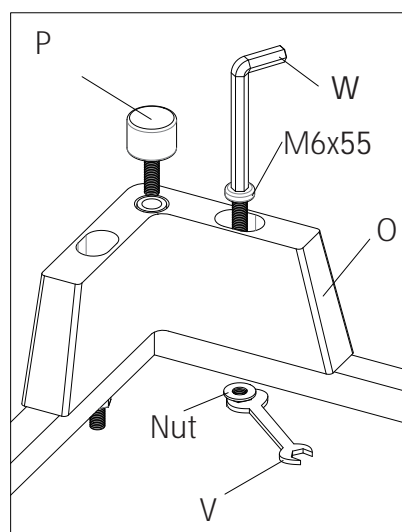
Do not use machine



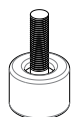
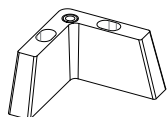
Two Persons together



Need 25mins roughly



1:1 M6x55



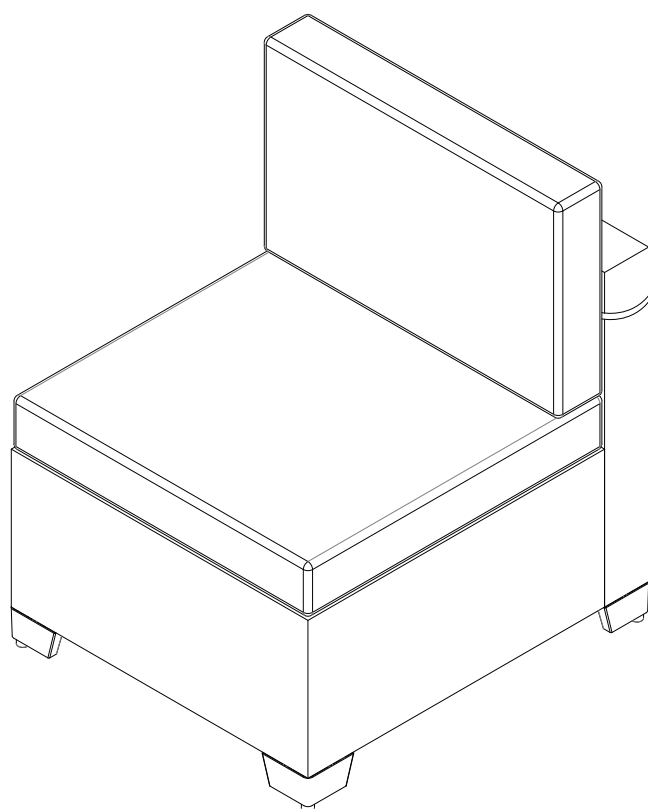
High L-Shaped Feet x 4

Screw Feet(P) x 4



M6x55 x 8

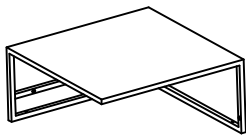
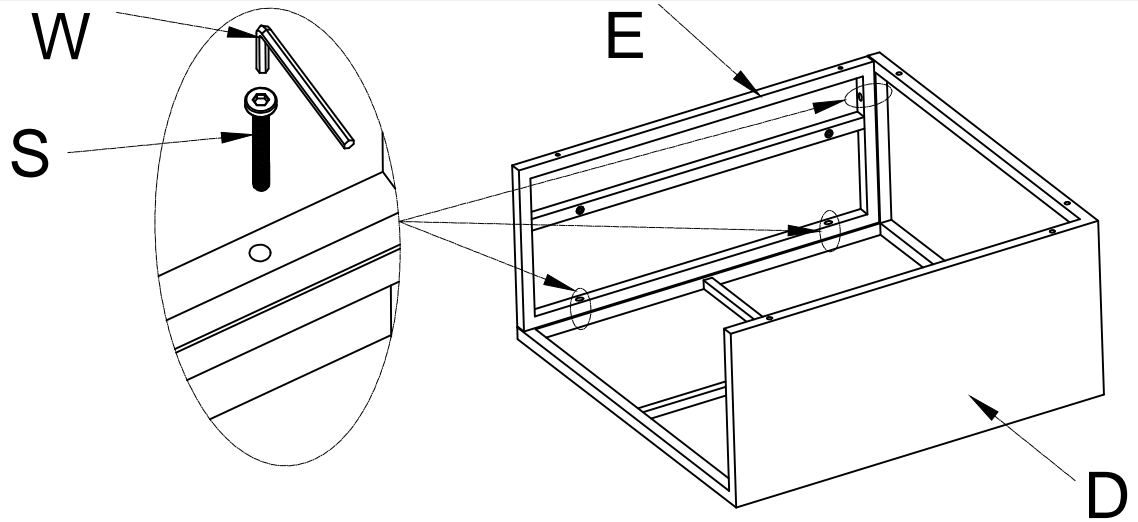
Wrench(V) x 1

Spanner(W) x 1

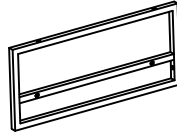


Coffee Table

 Do not use machine
  Two Persons together
  Need 25mins roughly



D × 1



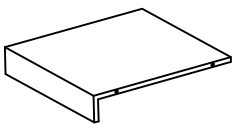
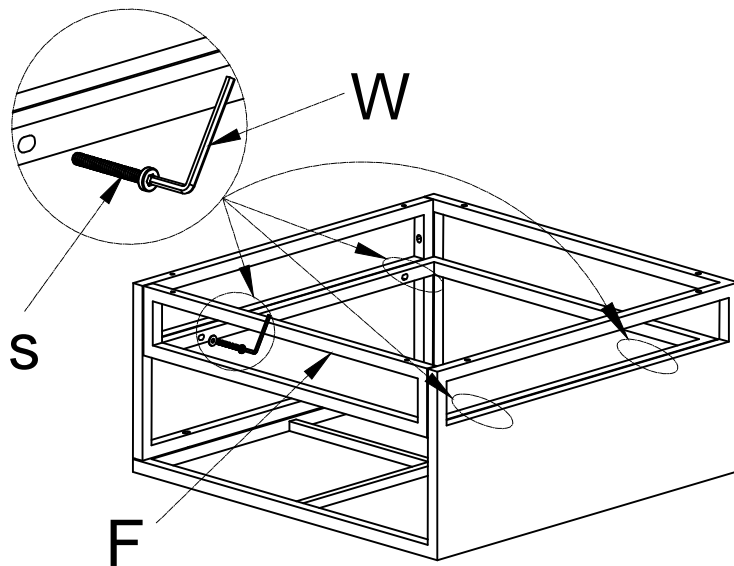
E × 1



M6*30(S) × 3



Spanner(W) x 1



F × 1



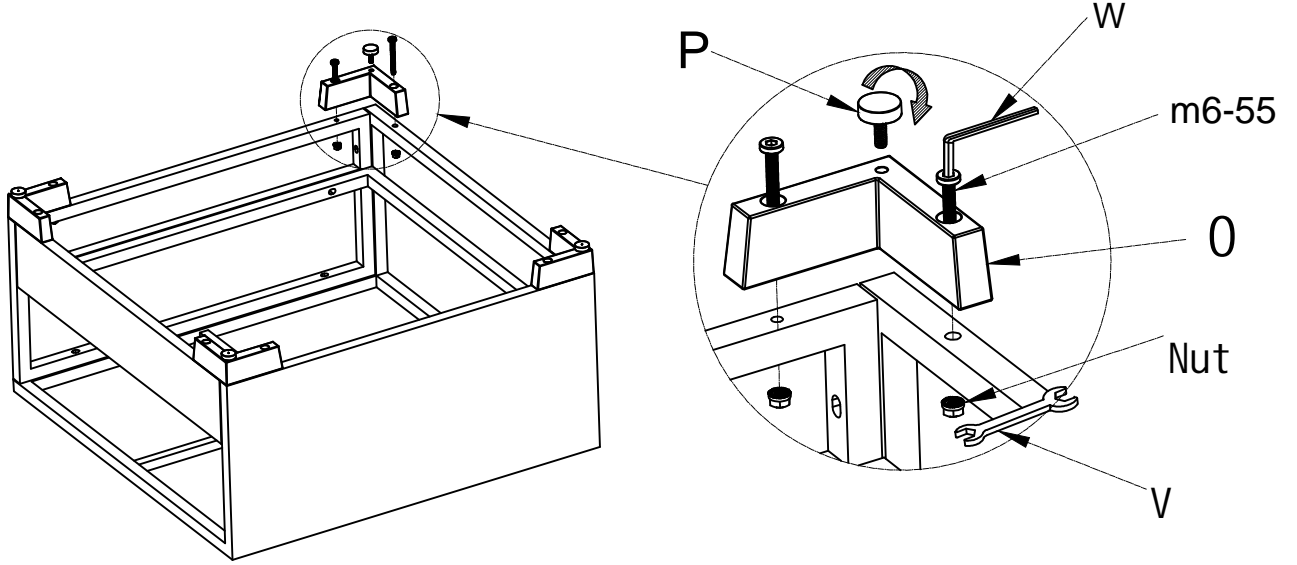
M6*30(S) × 4



Spanner(W) x 1

Coffee Table

Do not use machine Two Persons together Need 25mins roughly



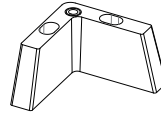
M6*55×8



Spanner (W) x 1



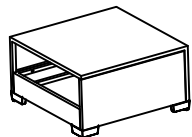
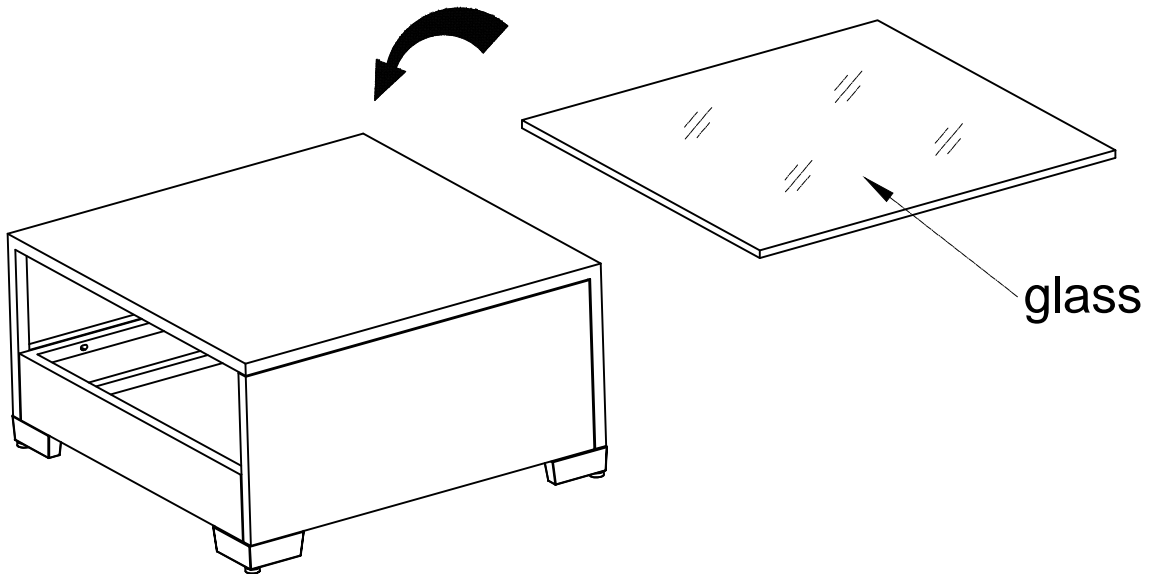
Wrench(V) x 1



High L-Shaped Feet x 4



Screw Feet(P) x 4



Coffee Table Glass Top × 1