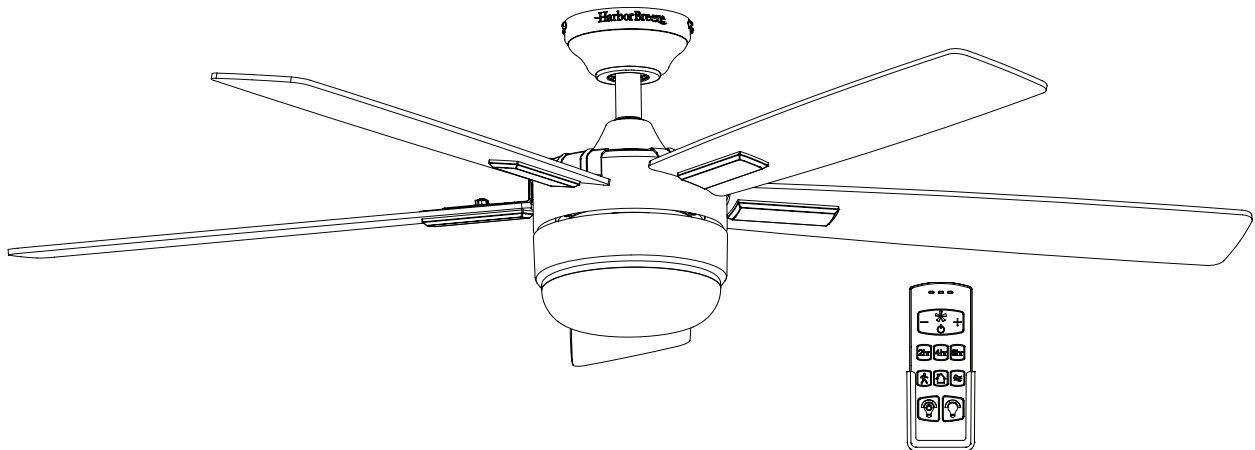




ITEM #5497045, 5497046, 5497047, 5497048
MODEL #43349, 43350, 43367, 43368
BOLTZ III CEILING FAN

Español p. 19

HARBOR BREEZE and logo design are trademarks or registered trademarks of LF, LLC. All rights reserved.



ATTACH YOUR RECEIPT HERE

Purchase Date _____

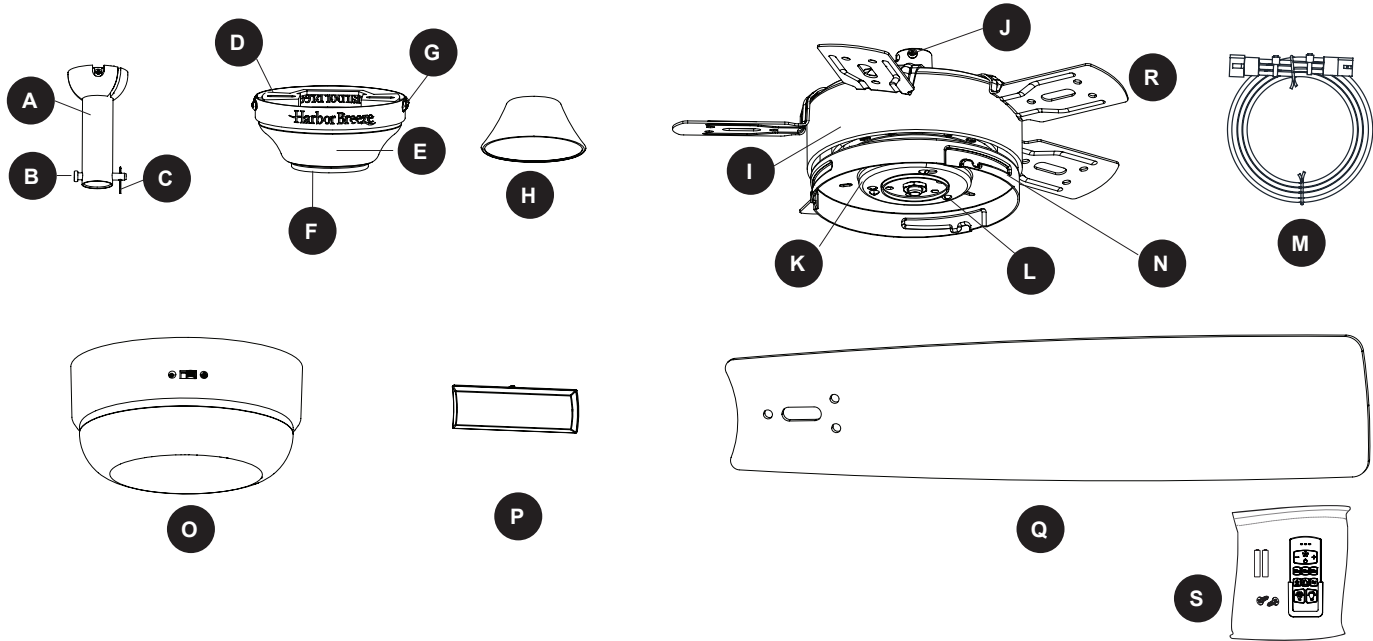


Thank you for purchasing this HARBOR BREEZE product.
Questions, problems, or missing parts?
Before returning, contact us at:
888-251-1003, 8 a.m. - 8 p.m., EST, Monday - Sunday or at ascs@lowes.com.

TABLE OF CONTENTS

Package Contents	3
Hardware Contents	4
Safety Information	5
Preparation	6
Initial Installation	7
Wiring	10
Final Installation.	11
Operating Instructions	13
Care and Maintenance	15
Troubleshooting.	15
Limited Lifetime Warranty	17
Replacement Parts List	18

PACKAGE CONTENTS



PART	DESCRIPTION	QUANTITY
A	Downrod	1
B	Downrod Pin (preassembled to Downrod [A])	1
C	Downrod Clip (preassembled to Downrod [A])	1
D	Mounting Bracket (preassembled to Canopy [E])	1
E	Canopy	1
F	Canopy Cover (preassembled to Canopy [E])	1
G	Mounting Bracket Screw (preassembled to Mounting Bracket [D])	4
H	Yoke Cover	1
I	Motor Assembly	1
J	Set Screw (preassembled to Motor Assembly [I])	2
K	Fitter Plate (preassembled to Motor Assembly [I])	1
L	Fitter Plate Screw (preassembled to Fitter Plate [K])	3
M	36-Inch Lead Wire (optional)	1
N	Light Pan (preassembled to Fitter Plate [K])	1
O	Light Kit	1
P	Medallion	5
Q	Blade	5
R	Blade Arm (preassembled to Motor Assembly [I])	5
S	Remote Pack	1

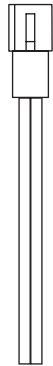
HARDWARE CONTENTS (shown actual size)

AA



Wire Connector
Qty. 1
+ 1 extra

AI



Lead Wire
Qty. 1

FF



Push-in
Connector
Qty. 2
+ 1 extra



SAFETY INFORMATION

Please read and understand this entire manual before attempting to assemble, operate or install the product.

- Before you begin installing the fan, disconnect the power by removing fuses or turning off the circuit breakers.
- Make sure all electrical connections comply with local codes, ordinances, the National Electrical Code and ANSI/NFPA 70-199. Hire a qualified electrician or consult a do-it-yourself wiring handbook if you are unfamiliar with installing electrical wiring.
- Make sure the installation site you choose allows a minimum clearance of 7 ft. from the blades to the floor and at least 30 in. from the end of the blades to any obstruction.
- The net weight of this fan is: 17.44 lb (7,91 kg).



DANGER: When using an existing outlet box, make sure the outlet box is securely attached to the building structure and can support the full weight of the fan. Failure to do this can result in serious injury or death. The stability of the outlet box is essential in minimizing wobble and noise in the fan after installation is complete.



WARNING: To avoid personal injury, the use of gloves may be necessary while handling fan parts with sharp edges.



WARNING: Using a full-range dimmer switch to control fan speed will cause a loud humming noise from the fan. To reduce the risk of fire or electric shock, do NOT use this fan with any solid-state speed control device.



WARNING: To reduce the risk of fire, electric shock or personal injury, mount the fan to an outlet box marked “ACCEPTABLE FOR FAN SUPPORT” and use the mounting screws provided with the outlet box. Most outlet boxes commonly used for the support of lighting fixtures are not acceptable for fan support and may need to be replaced. Consult a qualified electrician if in doubt. Secure the outlet box directly to the building structure. The outlet box and its support must be able to support the moving weight of the fan (at least 35 lbs.).



WARNING: To reduce the risk of fire, electric shock or personal injury, wire connectors provided with this fan are designed to accept only one 12-gauge house wire and two lead wires from the fan. If your house wire is larger than 12-gauge and/or there is more than one house wire to connect to the two fan lead wires, consult an electrician for the proper size wire connectors to use.



WARNING: To reduce the risk of fire, electric shock or personal injury, do not bend the blade arms when installing them, balancing the blades or cleaning the fan. Do not insert objects between the rotating fan blades.



WARNING: To reduce the risk of personal injury, use only parts provided with this fan. The use of parts OTHER than those provided with this fan will void the warranty.



SAFETY INFORMATION

CAUTION: Read all instructions and safety information before installing your new fan. Review the accompanying assembly diagrams.

CAUTION: Be sure the outlet box is properly grounded or that a ground (green or bare) wire is present.

CAUTION: Carefully check all screws, bolts and nuts on the fan motor assembly to ensure they are secured.

CAUTION: This device complies with part 15 of FCC Rules. Operation is subject to the following two conditions: 1) This device may cause harmful interference, and 2) this device must accept any interference received, including interference that may cause undesired operation.

CAUTION: This equipment has been tested and found to comply with the limits for a Class B digital device, pursuant to Part 15 of the FCC Rules. These limits are designed to provide reasonable protection against harmful interference in a residential installation. This equipment generates, uses and can radiate radio frequency energy and, if not installed and used in accordance with the instructions, may cause harmful interference to radio communications. However, there is no guarantee that interference will not occur in a particular installation. If this equipment does cause harmful interference to radio or television reception, which can be determined by turning the equipment off and on, the user is encouraged to try to correct the interference by one or more of the following measures:

--Reorient or relocate the receiving antenna.

--Increase the separation between the equipment and receiver

--Connect the equipment into an outlet on a circuit different from that to which the receiver is connected.

--Consult the dealer or an experienced radio/TV technician for help.

Please note changes or modifications not expressly approved by the party responsible for compliance could void the user's authority to operate the equipment.

HKC-US
3350 Players Club Parkway, Suite 225
Memphis, TN 38125
1-888-251-1003

PREPARATION

Before beginning the assembly of this product, ensure that all parts are present. Compare all parts with the package contents list and hardware contents list. If any part is missing or damaged, do not attempt to assemble the product.

Estimated Assembly Time: 120 minutes

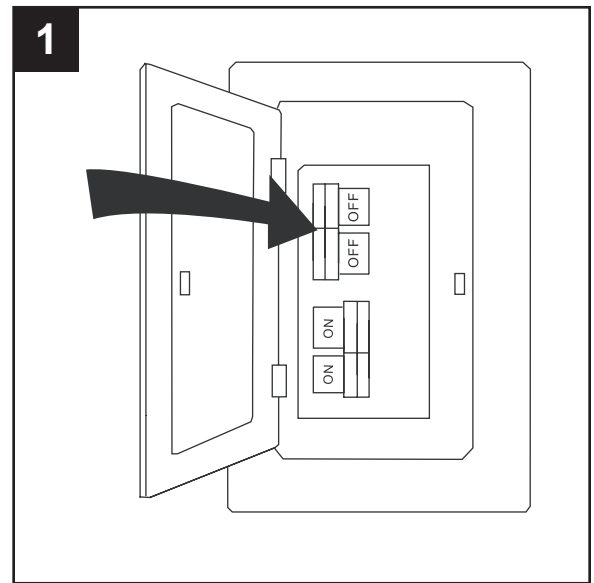
Tools Required for Assembly (not included): Electrical Tape, Phillips Screwdriver, Pliers, Safety Glasses, Step Ladder, Wire Cutters and Wire Strippers

Helpful Tools (not included): AC Tester Light, Tape Measure and Wiring Handbook

INITIAL INSTALLATION

1. Turn off the circuit breakers and the wall switch to the fan supply line leads.

⚠ DANGER: Failure to disconnect the power supply prior to installation may result in serious injury or death.



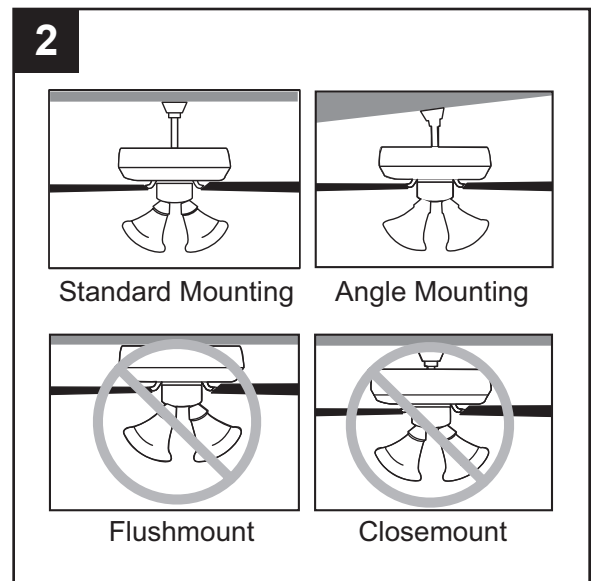
2. Determine the mounting method to use.

Standard Mounting is best suited for ceilings 8 ft. or higher. For taller ceilings you may want to use a longer downrod (not included).

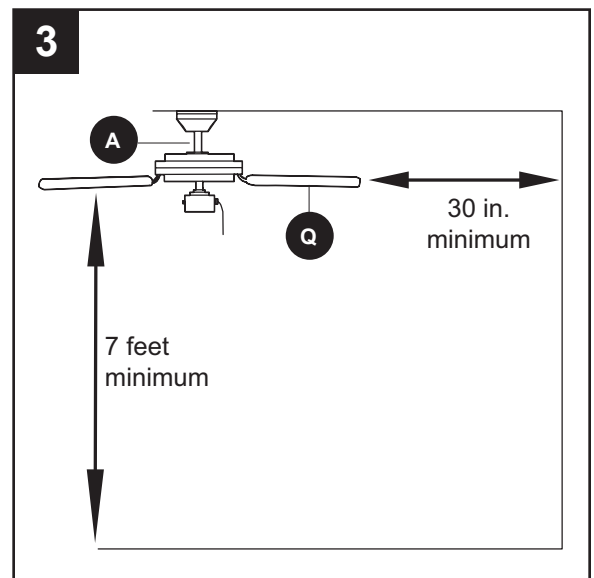
Angle Mounting is best suited for angled or vaulted ceilings. A longer downrod is sometimes necessary to ensure proper blade clearance. **Note:** If using the angle mount, check to ensure the ceiling angle is not steeper than 16°.

Flushmount installation is not available for this item.

Closemount installation is not available for this item.

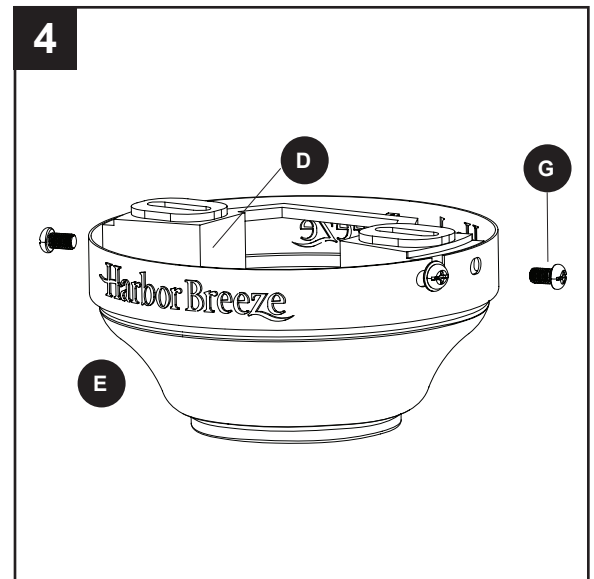


3. Ensure the blades (Q) will be at least 30 in. from any obstructions. Also check the downrod (A) length to ensure the blades (Q) will be at least 7 ft. above the floor.



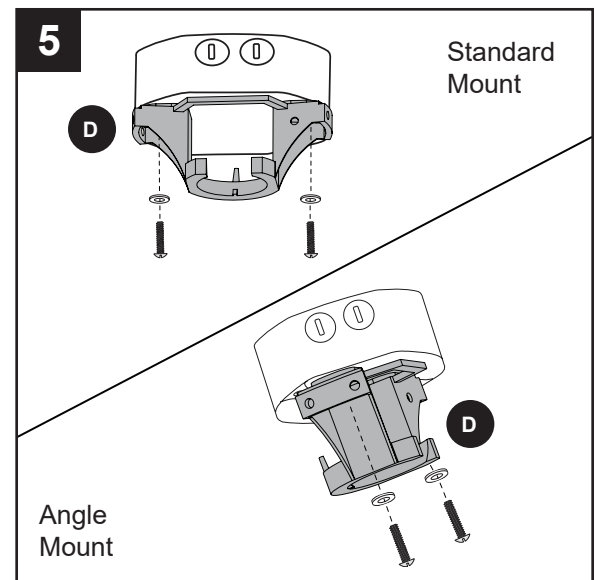
INITIAL INSTALLATION

4. Loosen all four preassembled mounting bracket screws (G), then completely remove the two mounting bracket screws (G) from the round holes of canopy (E). Set aside for later use. Turn the canopy in a counterclockwise direction. Detach mounting bracket (D) from canopy (E).



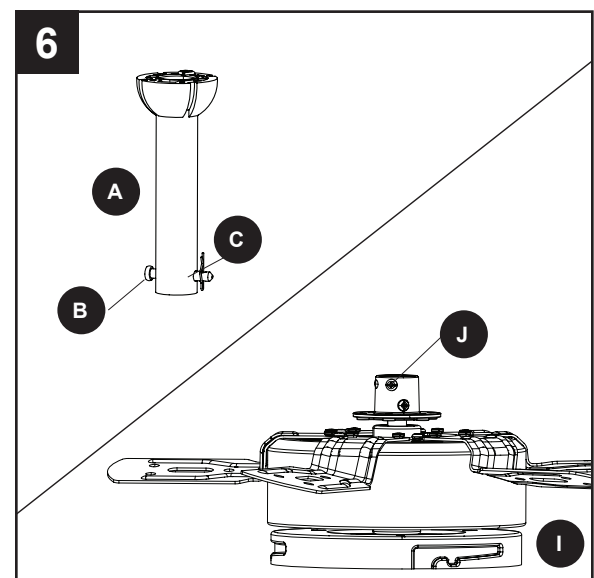
5. Attach mounting bracket (D) to outlet box (not included) using screws and washers provided with the outlet box.

WARNING: It is very important to use the proper hardware when installing the mounting bracket (D) as this will support the fan.



6. **Note:** Remove and dispose of the orange packing material from the yoke of the motor assembly.

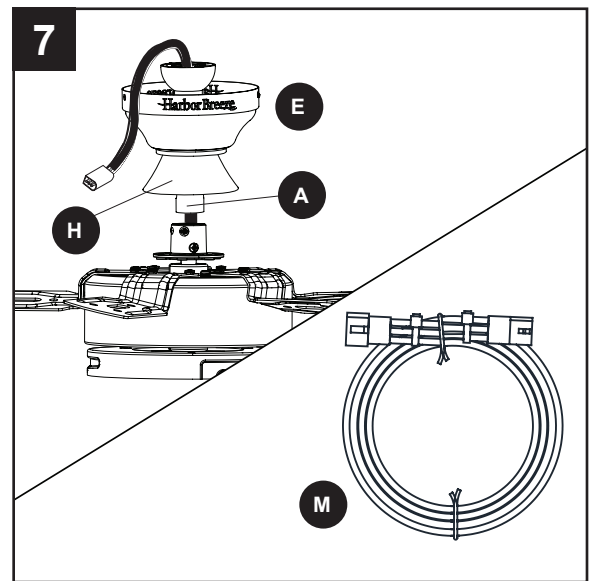
Remove the downrod clip (C) and downrod pin (B) from the downrod (A). Then partially loosen the set screws (J) in the yoke at the top of the motor assembly (I).



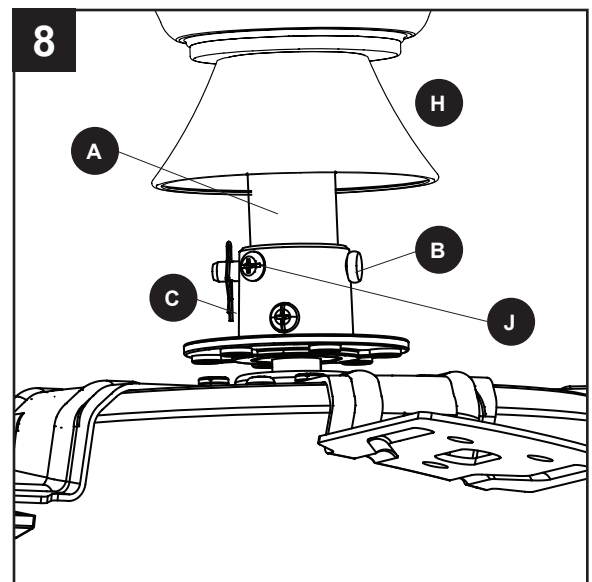
INITIAL INSTALLATION

7. Insert the downrod (A) -- or a longer downrod (not included), if required -- through the canopy (E) and yoke cover (H). Feed the wires from the fan through the downrod (A).

Depending on the length of downrod (A) you use, you may need to use the 36-inch lead wire (M) to accommodate a 36 or 48-inch downrod (sold separately). When necessary, connect the 3-pin connector extending from the center of the downrod (A) to one end of the 36-inch lead wire (M). **Note:** The downrod (A) included with this fan will not utilize the 36-inch lead wire (M).

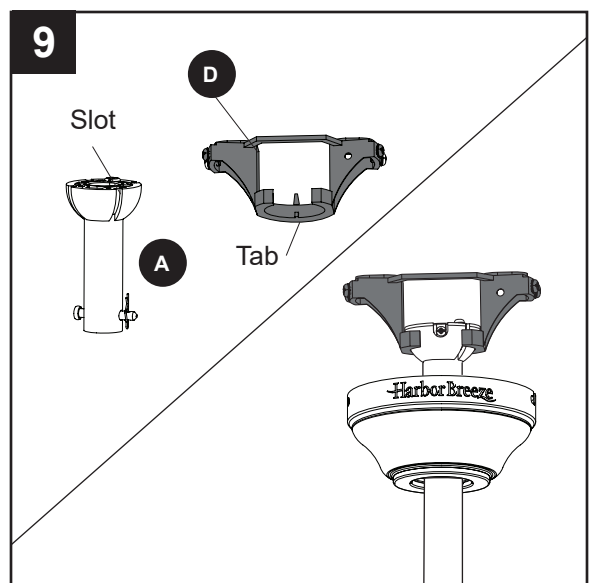


8. Slide the downrod (A) into the yoke of the motor assembly (I), align the holes, then re-install the downrod pin (B) and downrod clip (C). Secure with the two set screws (J) and slide the yoke cover (H) down until it rests on top of the motor assembly (I).



9. Install the ball end of the downrod (A) into the opening of mounting bracket (D). Align one of the four slots in the ball with the tab in the mounting bracket (D). **Note:** The downrod (A) should not rotate if installed correctly.

! **DANGER:** Failure to align the slot in the downrod (A) with the tab of the mounting bracket (D) may cause the fan to wobble or fall, which could result in serious injury or death.



WIRING

WARNING: To reduce the risk of fire, electrical shock or personal injury, wire connectors provided with this fan are designed to accept only one 12-gauge house wire and two lead wires from the fan. If your house wire is larger than 12-gauge and there is more than one house wire to connect to the two fan lead wires, consult an electrician for the proper size wire connectors to use. **CAUTION:** Be sure the outlet box is properly grounded or that a ground (green or bare) wire is present.

- Use the push-in connectors (FF) to connect the lead wire to the supply wires from outlet box according to the wiring diagram and the following instructions:
 - Push the White (neutral) supply wire and the white wire from lead wire into the the holes of one push-in connector (FF).
 - Push the Black (hot) supply wire and the black wire from lead wire into the the holes of one push-in connector (FF).

WARNING: If household supply wires are different colors than referred to above, a professional electrician should determine proper wiring.

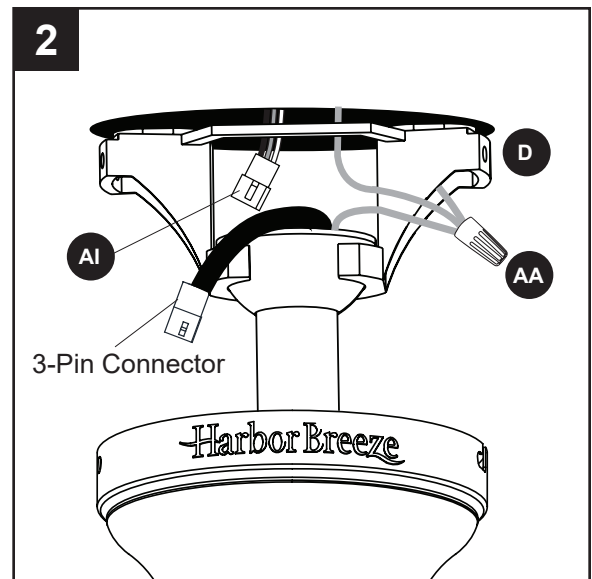
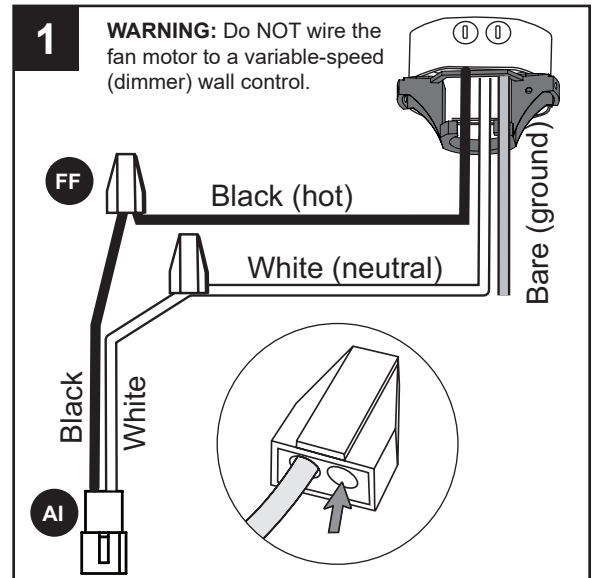
Hardware Used

FF	Push-in Connector		x 2
AI	Lead Wire		x 1

- Connect the 3-pin connector extending from the downrod (A) to the 3-pin connector on lead wire (AI). Then, connect the green/bare (ground) supply wire to the green wires from the downrod (A) and the mounting bracket (D).

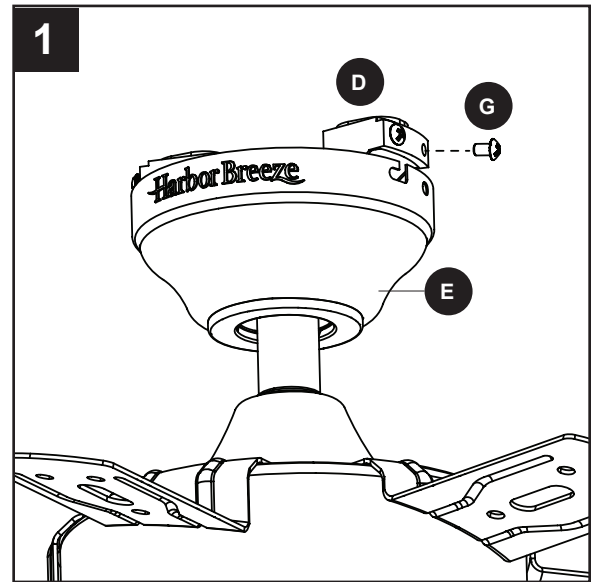
Hardware Used

AA	Wire Connector		x 1
-----------	----------------	---	-----

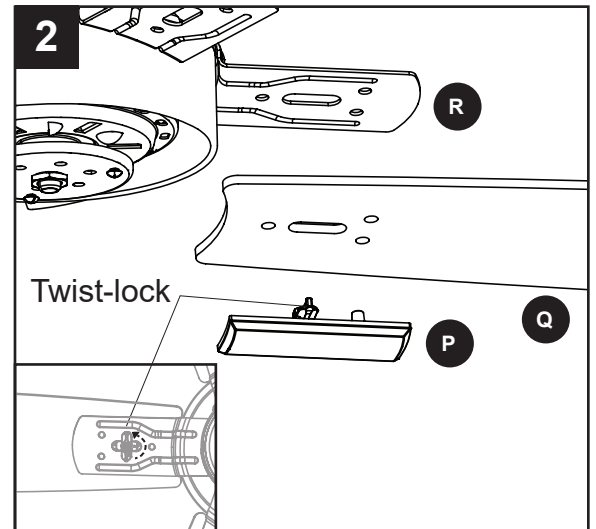


FINAL INSTALLATION

1. Align the canopy (E) over the loosened mounting bracket screws (G) preassembled on mounting bracket (D). Place the keyhole slot of the canopy (E) onto the mounting bracket screws (G) and rotate the canopy (E) clockwise. Secure the canopy (E) with the mounting bracket screws (G) previously removed (Step 4, page 8). Tighten all mounting bracket screws (G) securely.

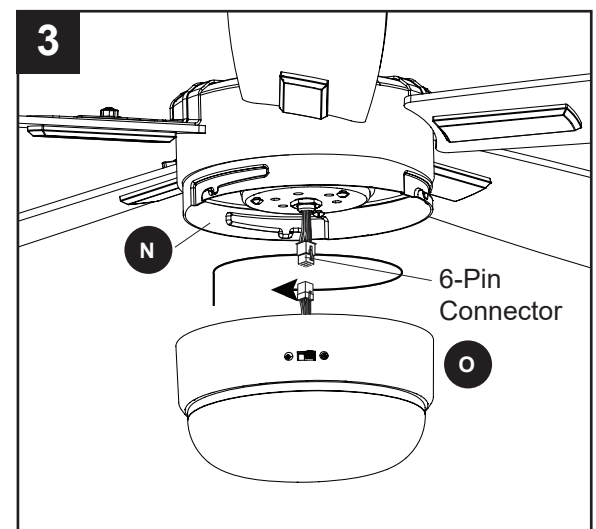


2. Align the twist-lock connector of the medallion (P) in the direction of its corresponding slot in the blade (Q). Place the blade (Q) over the twist-lock connector. Then lift medallion (P) and blade (Q) until flush with the underside of blade arm (R). Rotate the twist-lock connector so it is perpendicular to the hole in the blade arm (R) to secure. Repeat for the remaining blades (Q).



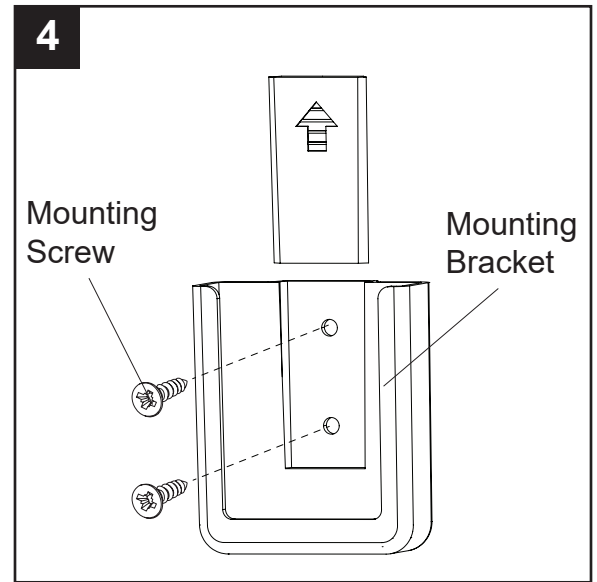
3. Connect the 6-pin connector from the motor assembly (I) to the 6-pin connector from the light kit (O). Attach the light kit (O) to the light pan (N) by twisting the light kit (O) firmly in a clockwise direction until it is secure.

CAUTION: Avoid cross-threading the light kit during installation. Improper installation could cause the light kit (O) to be difficult to remove or fall, which could cause serious injury.



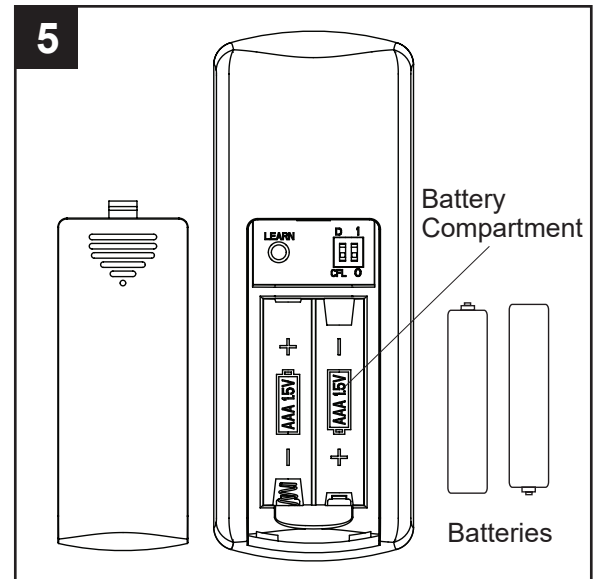
FINAL INSTALLATION

- Remote control from remote pack (S) comes equipped with a wall bracket. If you wish to install the wall bracket, remove the small plate to expose the screw holes. Insert wall bracket screws through holes and into wall, then cover with the previously removed small plate. The remote from remote pack (S) can be stored in the mounting bracket for easy access.



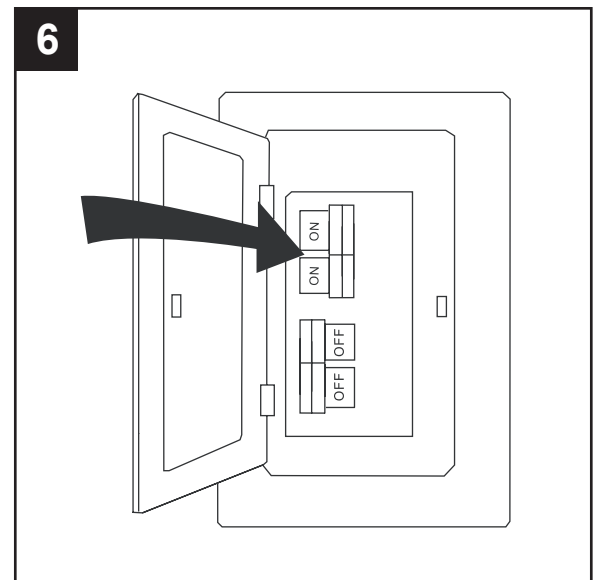
- Use a flat-head screwdriver, if necessary, to remove the battery cover from the back of the remote found in remote pack (S). Insert two batteries into the remote; ensure polarity of batteries match the polarity indicated in the battery compartment -- positive (+) to positive (+) and negative (-) to negative (-). Replace the back cover and press the fan on/off button on the remote to ensure the LED indicator illuminates and the remote turns on the fan.

Note: If remote does not turn on the fan, see TROUBLESHOOTING (page 16).



- Turn on the circuit breakers and the wall switch to the fan supply line leads.

Assembly is complete.



OPERATING INSTRUCTIONS

1. To operate the fan using remote control, press and release the following buttons:

LED Indicator - Indicates the three speeds of the fan. It should illuminate when any remote button is pressed. If not, replace the 1.5V, AAA batteries.

Fan Power button has three options:

(*/⏻) - Turns the fan off or turns on fan at previously selected speed.

(+) - Increase fan speed

(-) - Lower fan speed

Sleep Timers - Turn off fan after 2 hours (2hr), 4 hours (4hr), or 8 hours (8hr). Press (*/⏻) button to deactivate.

Light Delay - Delays turning off light for one minute which allows safe exit from room. Light blinks to confirm function is active. Press Light Control button to deactivate and turn the light off.

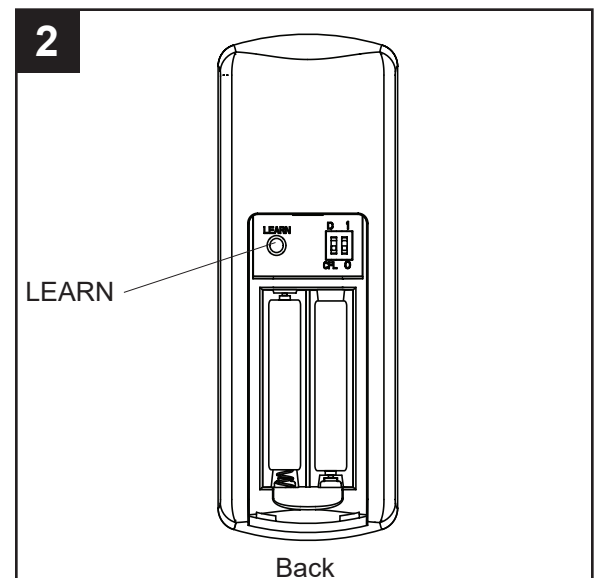
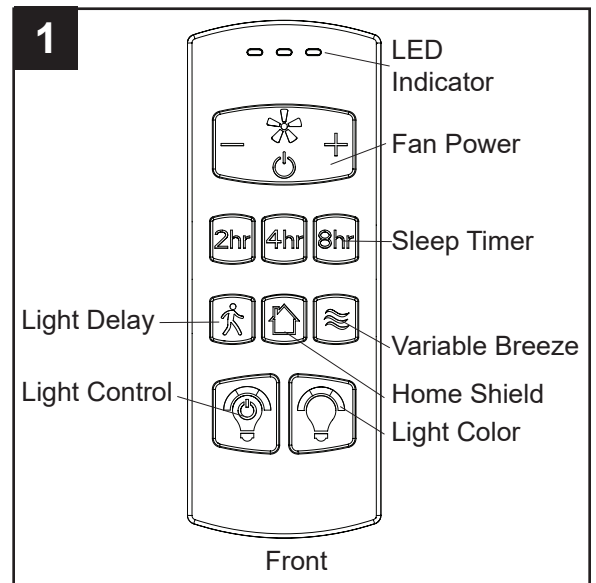
Home Shield™ - Simulates occupancy while away from home. Fan remains off and the light randomly turns on for a minimum of five minutes and a maximum of 20 minutes. The light remains off for 60 minutes between events. Press and hold button to activate. Light will blink to confirm Home Shield is active. Press any button to cancel.

Variable Breeze - Simulates a natural breeze, as if you were outside.

Light Control - Tap button to turn the light off and on. Press and hold button to dim or brighten the lights.

Light Color - Press and hold button to cycle through the color temperatures from 2200K (warm white) to 6500K (daylight).

2. **LEARN** - Syncs remote control to receiver (see troubleshooting for instructions).



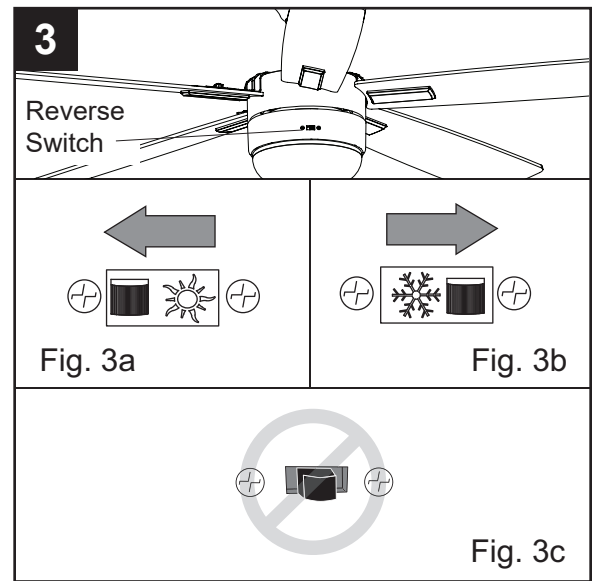
OPERATING INSTRUCTIONS

3. Using a ceiling fan will allow you to raise your thermostat setting in summer and lower your thermostat setting in winter without feeling a difference in your comfort.

In warmer weather, push the reverse switch left to display a sun icon, which will result in downward airflow creating a wind chill effect (Fig. 3a).

In cooler weather, push the reverse switch right to display a snowflake icon, which will result in upward airflow that can help move hot air off the ceiling area (Fig. 3b).

Important: The reverse switch must be set either completely left or right for the fan to function correctly. If the reverse switch is set in the middle position, the fan will not operate (Fig. 3c).



CARE AND MAINTENANCE

At least twice each year, lower the canopy to check the downrod assembly, and then tighten all screws on the fan. Clean the motor housing with only a soft brush or lint-free cloth to avoid scratching the finish. Clean the blades with a lint-free cloth.

Total fixture wattage is 23 watts; do not attempt to replace LED.

Battery Replacement: Use AAA alkaline batteries. **WARNING:** Keep batteries out of reach of children. May be fatal if swallowed. In the event that a battery is swallowed, immediately consult a doctor.

Non-rechargeable batteries are not to be recharged. Do not mix different types of batteries such as alkaline, carbon-zinc, or rechargeable batteries. Do not mix old and new batteries. Batteries are to be inserted with the correct polarity. Exhausted batteries are to be removed from the product. Do not dispose of batteries in fire, as they may explode or leak.

Important: Shut off the main power supply before you begin any maintenance tasks. Do not use water or a damp cloth to clean the ceiling fan.

TROUBLESHOOTING

PROBLEM	POSSIBLE CAUSE	CORRECTIVE ACTION
The fan does not move.	<ol style="list-style-type: none"> 1. The reverse switch is not engaged. 2. The wall switch is turned off. 3. The power is off or the fuse (breaker) is blown. 4. There is a faulty wire connection. 	<ol style="list-style-type: none"> 1. Firmly push the reverse switch completely left or right. 2. Make sure the wall switch is turned on. 3. Turn the power on or check the fuse (breaker). 4. Turn the power off and check all connections at the ceiling outlet box.
The fan is noisy.	<ol style="list-style-type: none"> 1. The blades are loose. 2. There is a cracked blade. 3. The wall control is not compatible with the fan. 4. The outlet box is not secure. 5. The mounting bracket is not secure. 	<ol style="list-style-type: none"> 1. Check and tighten all screws that hold the fan blades to the blade arms and the motor. 2. Replace the cracked blade. 3. Do not use a full range dimmer switch to control the fan speed. 4. Ensure the outlet box is secured to the building structure. 5. Ensure the mounting bracket is secured to the outlet box and that the screws are tight.

TROUBLESHOOTING

PROBLEM	POSSIBLE CAUSE	CORRECTIVE ACTION
The fan operates correctly, but the lights are not working.	<ol style="list-style-type: none"> 1. The light kit wire plugs are not connected properly. 2. There is a faulty wire connection. 	<ol style="list-style-type: none"> 1. Ensure the 6-pin connectors in the light kit are connected properly. 2. Turn the power off and check all connections at the ceiling outlet box.
There is excessive wobbling.	<ol style="list-style-type: none"> 1. The blades and/or blade arms are loose. 2. The blades are unbalanced. 3. The fan mounting is not secure. 4. The fan is too close to the vaulted ceiling. 5. The set screw on the motor housing yoke is loose. 	<ol style="list-style-type: none"> 1. Check and tighten all screws that hold the fan blades to the blade arms and the blade arms to the motor. 2. Switch one blade with a blade from the opposite side. Or balance the fan using a blade balancing kit (sold separately). 3. Turn off the power. Loosen the canopy and verify that the mounting bracket is secure to the electrical outlet box. The bracket must be flush without movement against the outlet box. 4. Use a longer downrod (sold separately) or move the fan to another location. 5. Lift the yoke cover and tighten the set screw to the yoke until secure.
Remote control does not work.	<ol style="list-style-type: none"> 1. Power surge may have cleared memory and remote needs to be re-synced to the receiver. 2. Battery in remote control needs to be replaced. 3. Interference from another remote. 	<ol style="list-style-type: none"> 1. Turn off the power at the breaker box for at least 10 seconds and then turn the power back on. Within 30 seconds, press and hold the "LEARN" button on the back of the remote for 3 seconds. The fan will turn on at high speed and light will blink twice and stay on, signaling a successful synchronization. 2. Insert new AAA batteries in battery compartment of the remote control (see page 12). 3. If there are several fans in proximity, turn power off to other fans and re-sync the remote (see Corrective Action 1 above).

LIMITED LIFETIME WARRANTY

Set forth below, the manufacturer warrants the fan motor for this ceiling fan to be free from defects in workmanship and material for the life of the product. Also, subject to the limitations below, the manufacturer warrants all ceiling fan parts ("ceiling fan parts" excludes the motor and parts made in whole or in part with glass) to be free from defects in workmanship and material for a period of one year after the date of purchase by the original purchaser at retail.

All claims must be made by the original purchaser from an authorized dealer, whether such purchaser purchased the product through a store or contractor. Ceiling fan part defects must be reported within the first year from the date of purchase. Parts made in whole or in part with glass and the finishes of metal and other surfaces are not warranted.

Purchasers are responsible for all costs of removing and reinstalling the product. Any damage to any part caused by ordinary wear and tear, accident, misuse, or improper installation, is not covered by this warranty. The manufacturer assumes no responsibility whatsoever for fan installation. Any service performed by a non-licensed electrician will render the warranty invalid.

The manufacturer's sole responsibility shall be to repair or replace the motor, parts, or product within the terms stated above. The manufacturer shall not be liable for any loss or damage of any kind, including any incidental or consequential damages resulting directly or indirectly, from any breach of warranty, express or implied, or any other failure of this product. Some states do not allow the exclusion or limitation of incidental or consequential damages so this limitation may not apply to you.

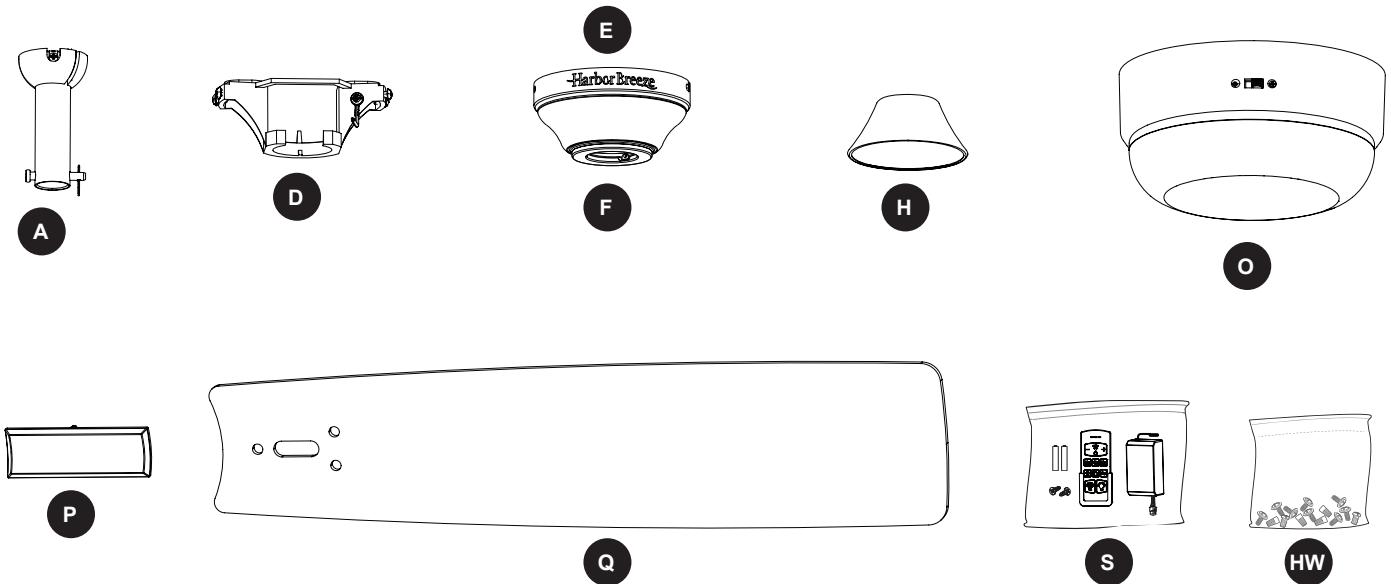
If the original purchaser ceases to own the fan, this warranty is voided.

Should the purchaser encounter a problem with your fan related to defects in workmanship or materials within the warranty period associated with the defective part, the manufacturer agrees to replace the defective part without charge, or at its option, to replace the ceiling fan with a comparable or superior model.

The manufacturer's warranties are limited to the written warranties set out in this ceiling fan limited lifetime warranty. All other express and implied warranties, including, without limitation, the implied warranty of fitness for a particular purpose and the implied warranty of merchantability is disclaimed. Some states do not allow the disclaimer of implied warranties, so this disclaimer may not apply to you.

REPLACEMENT PARTS LIST

For replacement parts, call the customer service department at 888-251-1003, 8 a.m. - 8 p.m., EST, Monday - Sunday. You could also contact us at ascs@lowes.com.



PART	DESCRIPTION	#5497045	#5497046	#5497047	#5497048
A	Downrod	4L000013820	4L000007500	4L000017430	4L000015030
D	Mounting Bracket	4L000006350	4L000006410	4L000006350	4L000011050
E	Canopy	4L000002120	4L000004350	4L000017440	4L000015560
F	Canopy Cover	4L000002190	4L000002900	4L000016140	4L000014240
H	Yoke Cover	4A000009350	4A000020790	4A000021400	4A000008660
O	Light Kit	4L000017390	4L000017380	4L000017400	4L000017410
P	Medallion (x5)	4L074770001	4L074770002	4L074770003	4L074770004
Q	Blade (x5)	4L086450001	4L086450002	4L086450003	4L086450004
S	Remote Pack	4L000016450	4L000016450	4L000016450	4L000016450
HW	Hardware Kit	4L000017420	4L000017420	4L000017420	4L000017420