



Size	Chimney Extension	Filter (replacement)	NON-DUCTED FILTERS
30 in. Stainless Steel	WRHCE02	MSH913	WRHF004S2

Specifications

Description	30" 600 CFM Max Velocity Convertible Wall Mount Range Hood
Mount Type	Wall Mount
Size	29.3" W x 18.9" D x 35.8" H
Ceiling Height	7.5-8.5 feet
Duct Dimension	7" round
Product Weight	36 lbs.
Exhaust Method	Convertible
Exhaust Location	Top
Power Source	Plug in
Voltage	120
Amperage	1.8 A
Residential Use Only	Yes
Certification	ETL (compatible w/UL and CSA)
Filter	Alumniun Mesh Filters
No. of Fan Speeds	3
Speed Control Type	Push Sensor Control
Max. Sound Level	5.5 sones
No. of Lights	2 LED
Bulb Wattage	2 W
CFM	600 (Max Velocity), 500(Lab Tested)
Compatible Ductless Filter	WRHF004S2
Installation Hdwe. Incl.	Yes
Flexible Duct Included	Yes

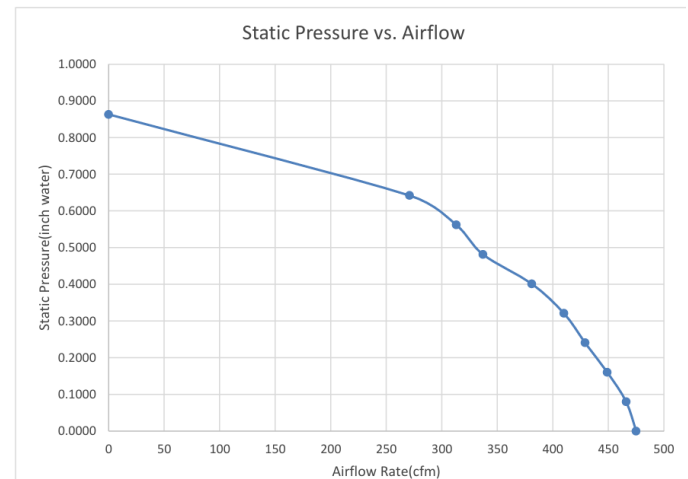
Warranty

2-Year Limited on parts

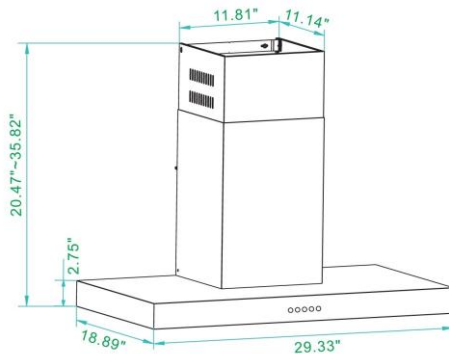
Scene Display



Plot of Static Pressure vs. Airflow



* Max velocity CFM of blower measure in open air environment*



TEL: 630-401-8050
E-Mail: support@winslyn.com

Website: <https://www.winslyn.com>
Company: Winslyn Industries

ADD: 1850 East Fabyan Parkway Batavia, IL 60510

