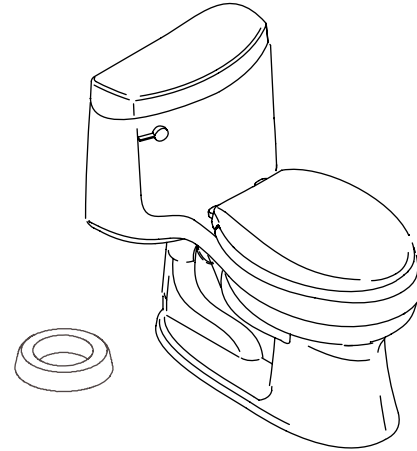


THE COMPLETE SOLUTION™ TOILET K-11889

ADA

Features

- Vitreous china
- Elongated bowl
- Comfort Height®
- Class Five® flushing system
- Includes seat, cover, wax ring, polished chrome trip lever and floor hardware
- Less supply
- 12" (30.5 cm) rough-in
- 1.6 gpf (6 lpf) or 1.4 gpf (5.3 lpf)
- 2-1/8" (5.4 cm) glazed trapway
- 11-1/2" (29.2 cm) x 8-1/2" (21.6 cm) water area
- 29-5/16" (74.5 cm) x 17-5/8" (44.8 cm) x 28-3/4" (73 cm)



Codes/Standards Applicable

Specified model meets or exceeds the following:

- ADA
- ICC/ANSI A117.1
- ASME A112.19.2/CSA B45.1
- Energy Policy Act of 1992

Colors/Finishes

- 0: White

Accessories

- 0: White
- CP: Polished Chrome
- PB: Vibrant® Polished Brass
- Other: Refer to Price Book for additional colors/finishes

Specified Model

Model	Description	Trip Lever	Colors/Finishes
K-11889	The Complete Solution toilet	left-hand	<input type="checkbox"/> 0
Recommended Accessories			
K-7637	Angle supply with stop – 3/8" NPT	<input type="checkbox"/> CP	<input type="checkbox"/> PB <input type="checkbox"/> Other___
Optional Accessories			
K-4650	Lustra™ elongated open-front toilet seat – for ADA compliance	<input type="checkbox"/> 0	<input type="checkbox"/> Other___
K-9466-L	Left-hand trip lever (non-CP)		<input type="checkbox"/> PB <input type="checkbox"/> Other___

Product Specification

The elongated bowl toilet shall be made of vitreous china. Toilet shall be 29-5/16" (74.5 cm) in length, 17-5/8" (44.8 cm) in width, and 28-3/4" (73 cm) in height with a 11-1/2" (29.2 cm) x 8-1/2" (21.6 cm) water area. Toilet shall be 12" (30.5 cm) rough-in and 2-1/8" (5.4 cm) glazed trapway. Toilet shall be 1.6 gpf (6 lpf) or 1.4 gpf (5.3 lpf) with Class Five® flushing system. Toilet shall include seat, cover, wax ring, polished chrome trip lever and floor hardware. Toilet shall be Comfort Height. Toilet shall be less supply. Toilet shall be Kohler Model K-11889-_____.

CIMARRON®

Technical Information

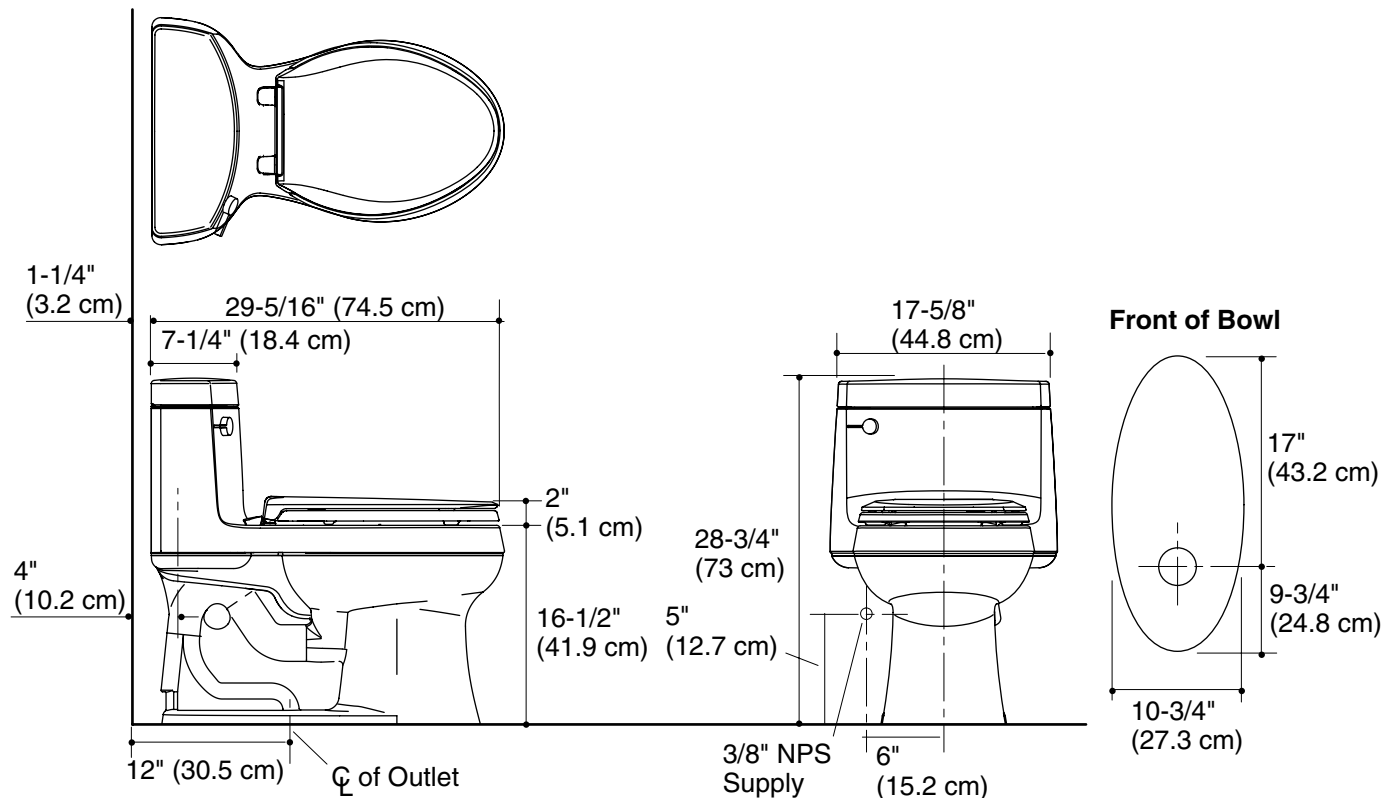
Fixture:	
Configuration	one-piece, elongated
Water per flush	1.6 gal (6 L) or 1.4 gal (5.3 L)
Passageway	2-1/8" (5.4 cm)
Water area	11-1/2" (29.2 cm) x 8-1/2" (21.6 cm)
Water depth from rim	6-1/8" (15.5 cm)
Seat post hole centers	5-1/2" (14 cm)

Included components:	
Tank cover	1036367
Seat	K-4636
Trip lever	K-9466-L
Tank accessory pack	52265
Bolt cap accessory pack	1013092
Wax ring and hardware installation kit	1023457

Installation Notes

Install this product according to the installation guide.

Will comply with the American Disabilities Act (ADA) when installed per the requirements of the Accessibility Guidelines, Section 604 Water Closets, of the Act. The Model Plumbing Codes require the installation of elongated open-front toilet seats in public bathrooms.



Product Diagram