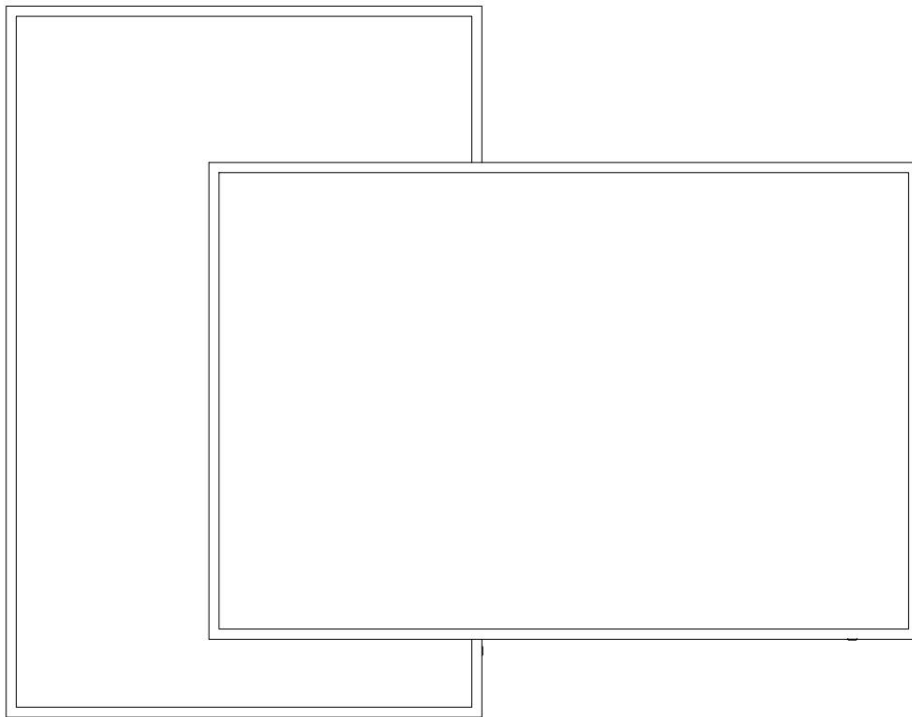


Serial Number:BMV19-13

R1.1

Installation and Operating Manual



For Technical support or questions, please call us at + 1 302 336 8180.

Thank you very much for choosing our led lighted mirror. For your safety, it is very important that the following instructions are read carefully and completely before beginning the assembly and installation of this lighting fixture:

WARNING -TO REDUCE THE RISK OF BURNS, FIRE, ELECTRICAL SHOCK OR INJURY TO PERSONS:





- 1.It is strongly recommended that two or more adults install this led lighted mirror.
- 2.Disconnect power at the circuit breaker before putting on or taking off parts. To disconnect, turn all controls to the off position, then disconnect power from the AC/DC adaptor.
- 3.Use only power adaptor that was provided with this product. Using a different power adaptor will damage the lights and may cause fire, electrical shock hazard.
- 4.Always wear suitable eye protection before drilling.
- 5.Keep the voltages between 110V and 120V. If the voltage exceeds 120v, please use the transformer.
- 6.Use this furnishing only for its intended use as described in these instructions.Do not use attachments/accessories not recommended by the manufacturer.
- 7.Never operate this furnishing if it is not working properly or if it has been dropped or damaged, or dropped into water.
- 8.Do not use outdoors.FOR HOUSEHOLD AND INDOOR USE ONLY.
- 9.Do not operate where aerosol (spray) products are being used or where oxygen is being administered.
- 10.The appliance is not to be used by persons (including children) with reduced physical, sensory or mental capabilities, or lack of experience and knowledge, unless they have been given supervision or instruction. Children should be supervised to ensure that they do not play with the appliance.






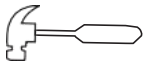


 **CAUTION:**

- 1.Risk of Electrical Shock – Connect this furnishing to a properly grounded outlet only.
- 2.Grounding Instructions: This product must be connected to a grounded metal, permanent wiring system, or an equipment-grounding conductor must be run with the circuit conductors and connected to the equipment-grounding terminal or lead on the product.

PRE-ASSEMBLY ATTENTIONS:

1. After opening the package, please inspect the product immediately for any damage during transit or missing parts.
2. Remove all parts and hardware from the box along with any plastic protective packaging.
3. Do not discard any contents until after installation is complete to avoid accidentally discarding small parts or hardware.
4. Before drilling, please ensure there are no hidden cables or pipes (water, gas, or electrical) behind hanging points.

What's in the box			
No.	Description	Draw	QTY.(pcs)
A	Led Lighted Mirror		1
B	Top Mounting Bracket		Ref. to Page 9
C	Phillips Flat Head wood Screws		Ref. to Page 9
D	Wall Anchor		Ref. to Page 9

TOOLS (not included)			
			
Electric Drill	Working Gloves	Tape Measure	Marker
			
Phillips-head screwdriver	Hammer	Safety Goggles	Level Ruler

Secure it! Wall Anchoring Guide

This mirror must be securely attached to the wall. The hardware used to secure your mirror to the wall depends on your wall material. If your wall material is not listed or if you have any questions, consult with a local hardware retailer.

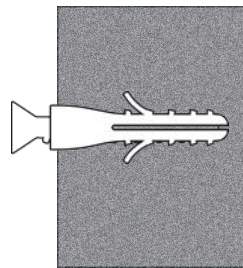
This manual provides installation instructions for Masonry (concrete or brick Mortar) as an example.

WALL MATERIAL

Masonry (concrete or brick Mortar)

ANCHORING DEVICE

Plug with screw.
(Short Screw & Anchor A)

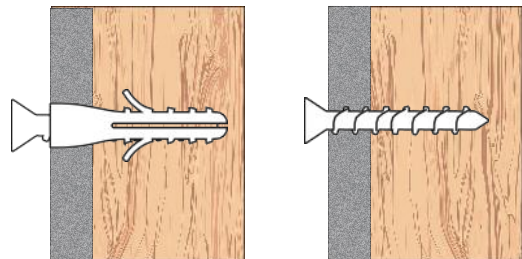


WALL MATERIAL

Drywall or plaster with available wood stud

ANCHORING DEVICE

Screw inserted directly into stud or plug with screw.
(Short Screw & Anchor A)

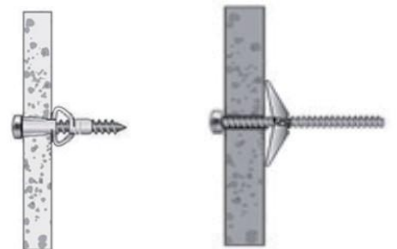


WALL MATERIAL

1. Drywall without available wood stud
2. Hollow Wall

ANCHORING DEVICE

Screw inserted directly into special anchor as shown.
(Long Screw & Anchor B)



Safety First! Wire Connection Guide

You can connect the wires directly to your junction box.

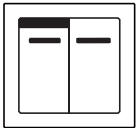
- Grounding Instructions: This product must be connected to a grounded metal permanent wiring system or an equipment-grounding conductor must be run with the circuit conductors and connected to the equipment grounding terminal or lead on the product.

HARDWIRED

Connect the electric wires to the junction box.

DEVICE

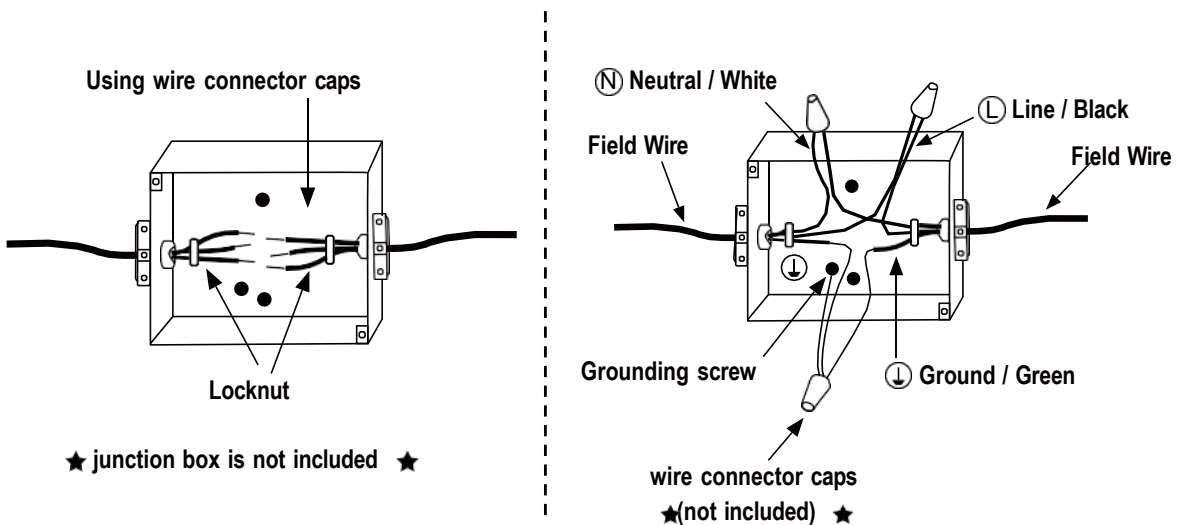
Junction box (not included).



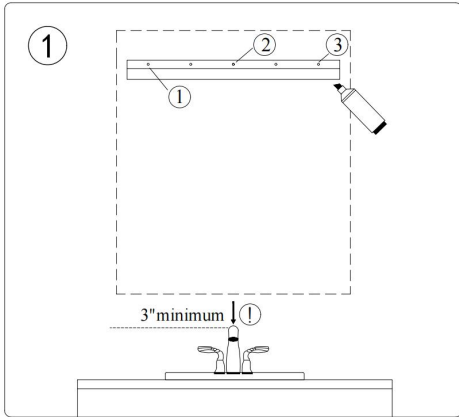
DANGER: Before installation, make sure the main power is cut off.

HOW TO CONNECT THE WIRES

BLACK WIRE --- POWER SUPPLY L (LINE) WHITE WIRE --- POWER SUPPLY N (NEUTRAL) GREEN WIRE --- POWER SUPPLY G (GROUND)

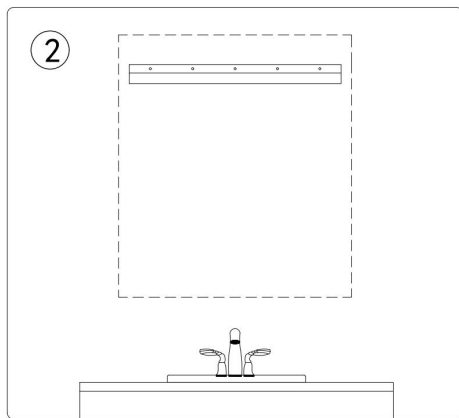


EASY TO INSTALL

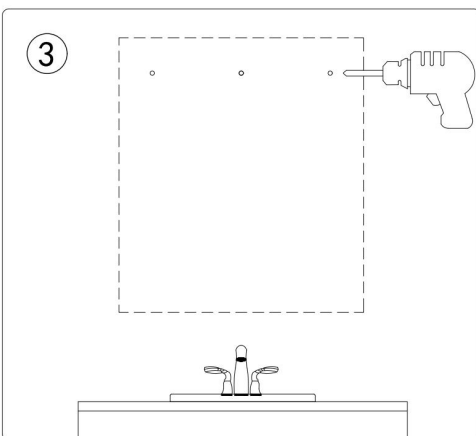


- Attach the "mounting bracket" to the wall using a level to ensure the mirror will be perfectly leveled.

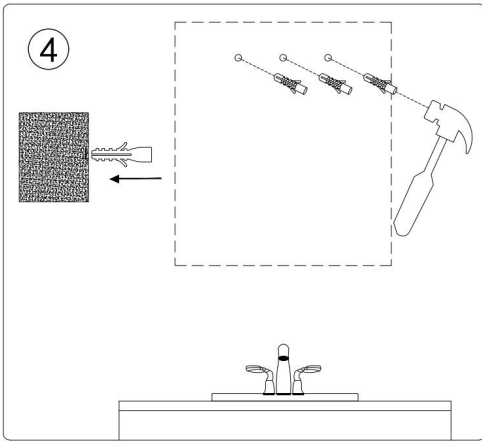
- Gently mark the holes location on the "mounting bracket" by using a pencil.



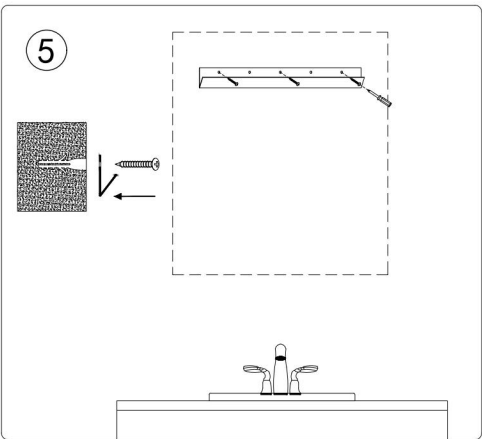
- Ensure the hole position is accurate and level.



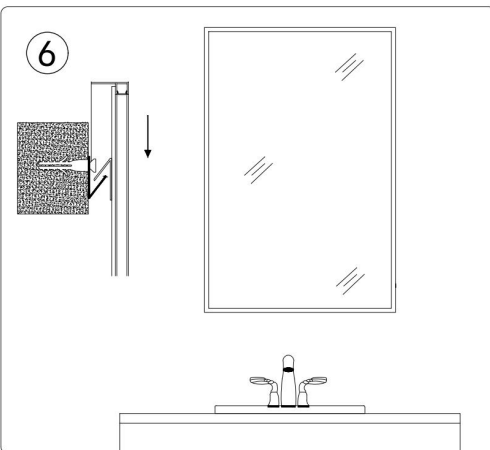
- Drill holes in the wall.
(drill bit in 8mm (5/16") ,drilling depth in 50mm (1-15/16"))



- Insert the Wall Anchors into the holes.
(ref. to page 4)

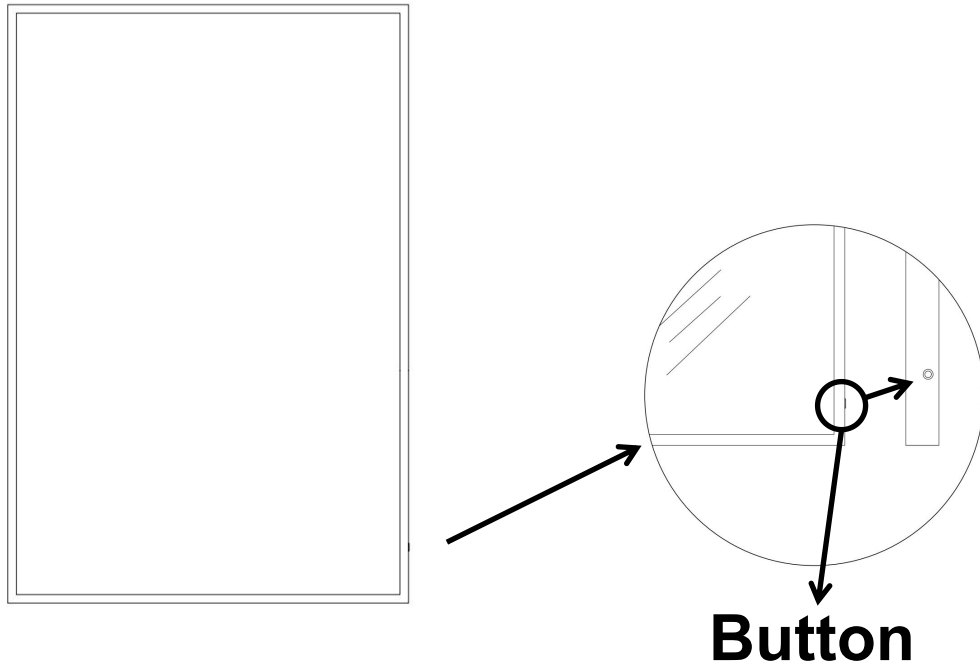


- Fasten the mounting bracket to the wall with short screws.



- Connect the power supply.
(ref. to page 5)
- 2 adults needed to hang the mirror.

Operating Manual



- Briefly touch the button to control on/off the light and color temperature.
- The first touch is to turn on the light, the following touch is to change the color temperature among the 3000K,4000K,6000K and turn off the light.
- Press and hold the button to adjust the brightness when the light is on.
- The defog function turns on automatically when the light is switched on and turns off automatically after 60 minutes or when the light is switched off.
- Optional to be wired to wall switch by ON/OFF memory function.

Dimension	Size (mm)	Input Power	Input Current	Defog Size (mm)	Mounting Bracket (mm)	No. of Top Mounting Brackets	No. of Screws & Wall Anchors for Bracket (Set)
24"*36"	610*910*40	40W	1.65A	350*400	500	1	5
30"*36"	760*910*40	60W	2.5A	400*400	500	1	5
48"*32"	1210*800*40	60W	2.5A	600*350	700	1	5
55"*30"	1390*760*40	60W	2.5A	1000*300	700	1	5
60"*36"	1520*910*40	60W	2.5A	1100*350	1000	1	5
72"*36"	1820*910*40	80W	3.3A	500*350, 500*350	1200	1	5

OTHER SPECIFICATION:

PARAMETER	SPECIFICATION
Stepless Dimming	10%-100%
Color Temperature	3000K/4000K/6000K
LED Quantities	192pcs/M
LED Life Span	50,000 hours
CRI	90+
Anti-fog	YES
Memory Function	YES
Tempered Glass	NO
Lighting Lens Material	PC
Input Voltage	120V AC
Output Voltage	24V DC
Working Temperature	-20 ~ +50°C
Wiring Method	Hardwired
Switch	Touch Sensor

WARRANTY:

If under normal use and for the full time period, your product fails to operate, please contact us. We will be glad to solve the problem for you!

CARE & CLEANING:

1. Use a household liquid glass cleaner to keep the mirror surface clean.
2. Do not use abrasive cleaners containing ammonia.