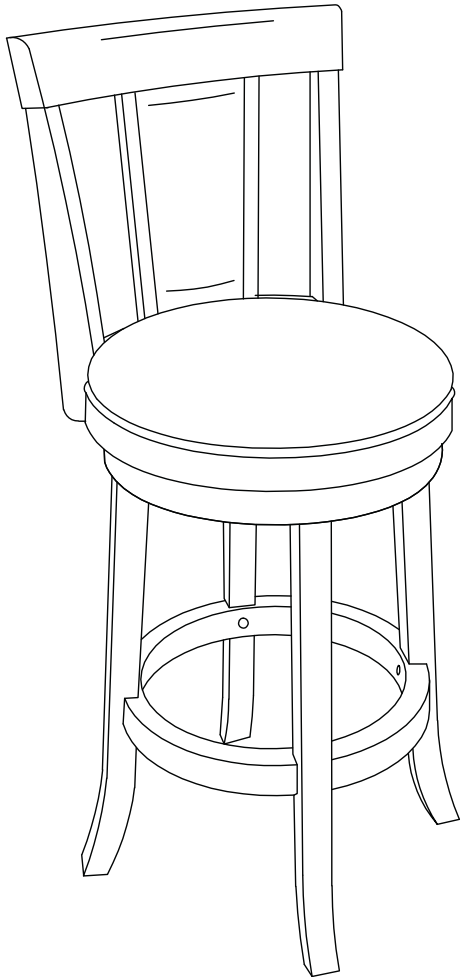




MET2224

24" SWIVEL BARSTOOL

ASSEMBLY INSTRUCTIONS



WARNING

1. Do not use this product unless all screws and bolts are securely tightened.
2. Check that all screws and bolts are tight every three months or as needed.
3. Dispose of packing material properly. Do not use plastic cover as head covering. It may cause suffocation.
4. Do not use this product as a stepladder.
5. Use this product for its intended purpose only.
6. **Intended for residential use only**

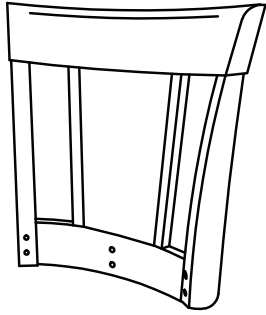
LIMITED WARRANTY

OSP Designs warrants, to the original purchaser its products to be free from defects in material and workmanship for a period of 90 days. Defects and damage from misuse, abuse, negligence, alteration, accident, vandalism, rusting, acts of nature or any other event beyond the control of OSP Designs is not covered. The warranty does not cover cosmetic damage that may result from normal use. Liability for incidental or consequential damages is excluded. The user assumes all risk of injury resulting from use of this product. This warranty gives you specific legal rights, and you may also have other rights which vary from state to state.

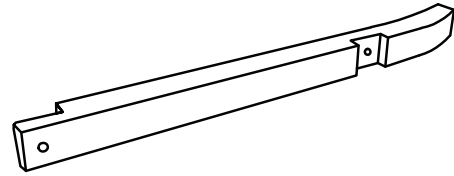
To make a warranty claim, contact Customer Service, provide model number, sales receipt and description of the problem. It is the customer's responsibility to prepay freight on any components returned to the factory. OSP Designs will pay return freight on components covered under terms of warranty.

Our quality standards are among the highest in the industry. Sometimes, no matter how hard we try, there are times when hardware is missing. Our Parts Department will do everything possible to promptly remedy the problem. Contact us via email parts@officestar.net, by Fax 1-909-930-5629, or toll free parts number 1-800-950-7262, Monday through Friday 8:00 a.m. - 5:00 p.m. Pacific Time. OSP Designs P.O. Box 3520 Ontario, California 91761 USA

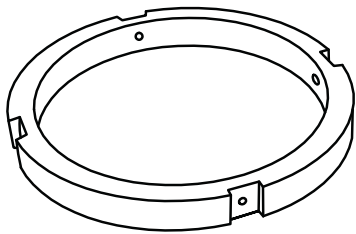
PARTS LIST



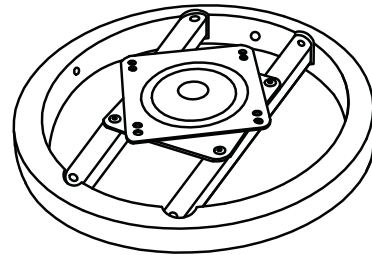
(1) Backrest (1 PC)



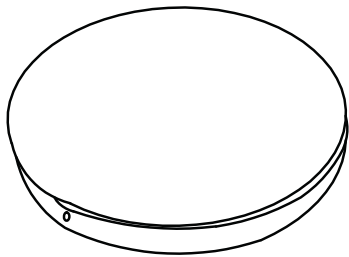
(2) Leg (4 PCS)



(3) Footrest (1 PC)

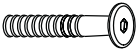
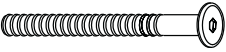
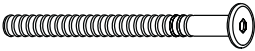





(4) Apron w/ Swivel Plate (1 PC)



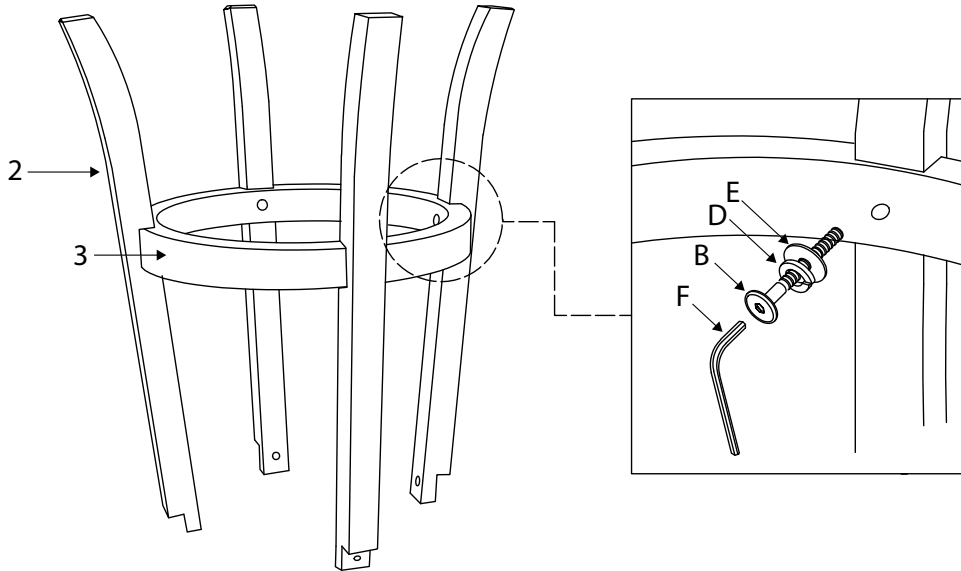
(5) Seat Cushion (1 PC)

HARDWARE LIST

NO	SKETCH	DESCRIPTION	SIZE	Q'TY
A		Bolt	M6 X 25mm	4 PCS
B		Bolt	M6 X 40mm	8 PCS
C		Bolt	M6 X 40mm	6 PCS
D		Spring Washer	M6 X 13mm	14 PCS
E		Flat Washer	M6 X 16.5mm	14 PCS
F		Wrench	4 mm	1 PC

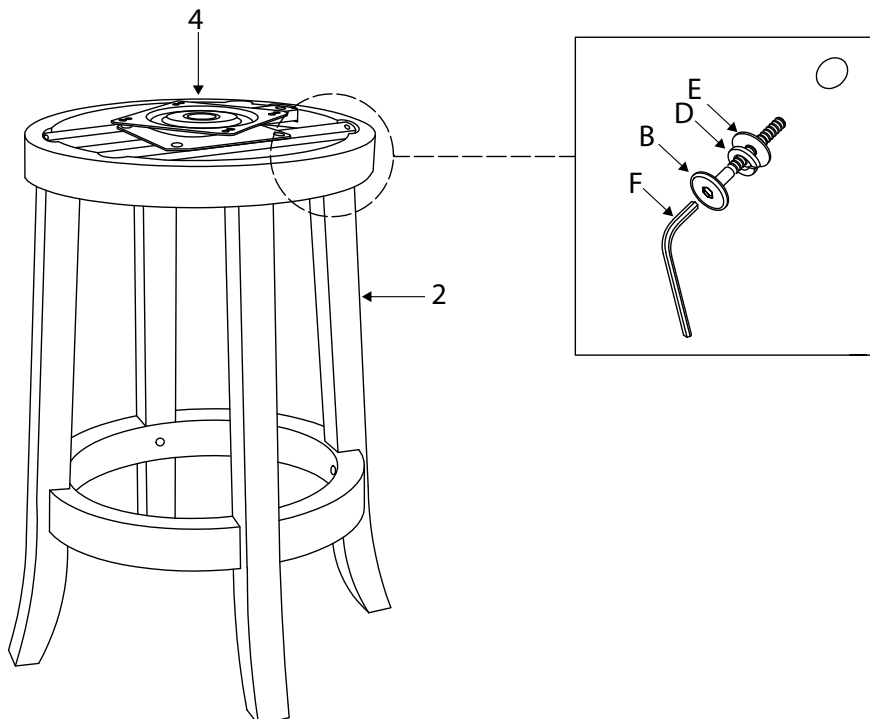
STEP 1

Attach all four Legs (2) to Footrest (3) using one Flat Washer (E), one Spring Washer (D) and one Bolt (B) for each Leg (2). **DO NOT FULLY TIGHTEN BOLTS (B).**



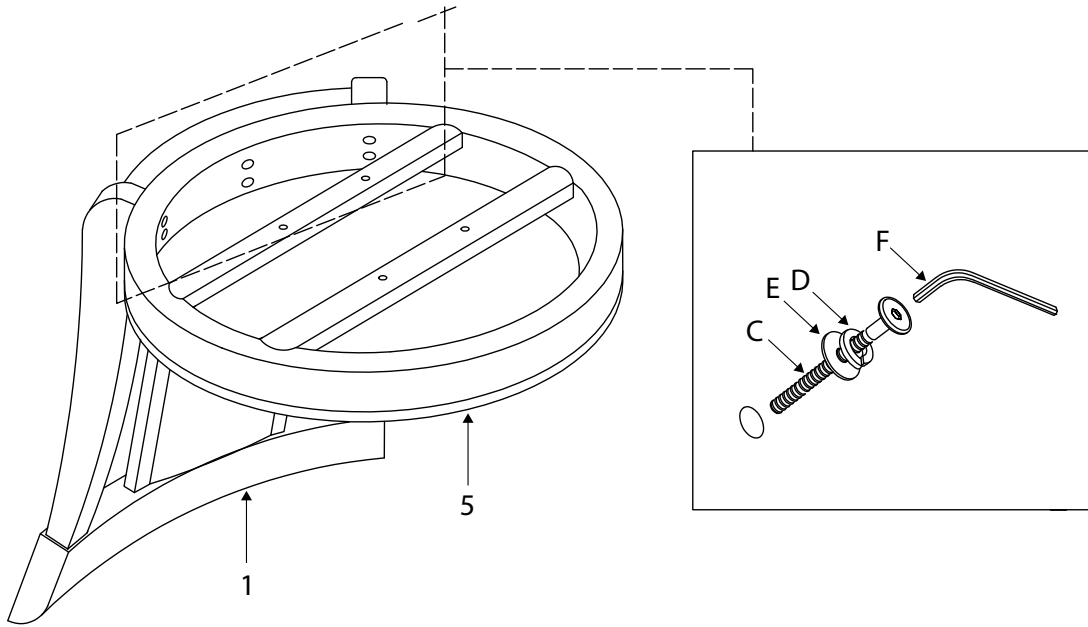
STEP 2

Attach Apron w/ Swivel Plate (4) to Legs (2) using one Flat Washer (E), one Spring Washer (D) and one Bolt (B) for each Leg (2). **FULLY TIGHTEN ALL BOLTS (B) USING WRENCH (F).**



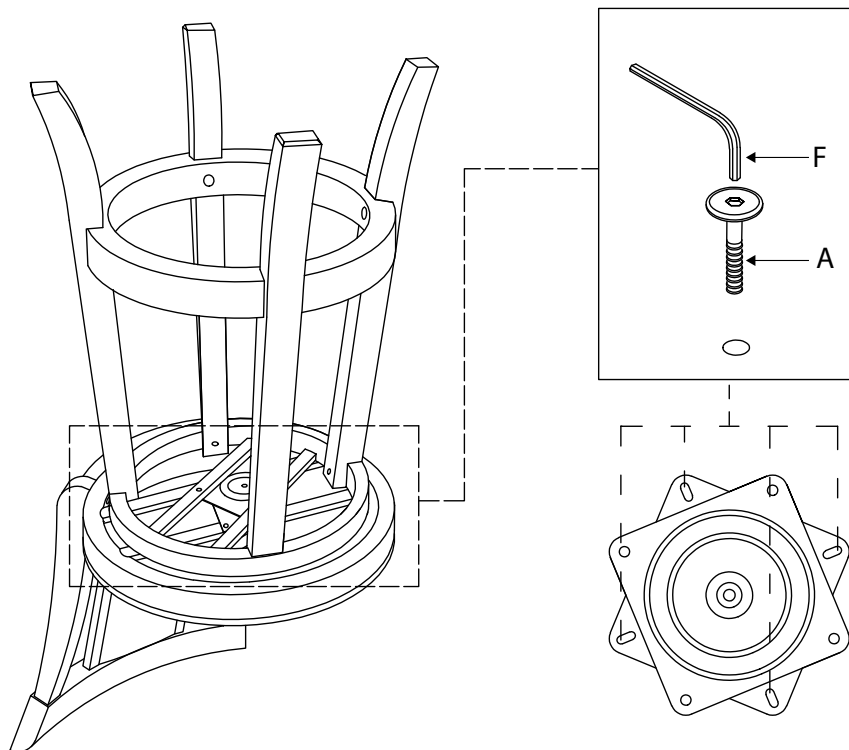
STEP 3

Secure Seat Cushion (5) to Backrest (1) using six Flat Washers (E), six Spring Washers (D) and six Bolts (C). **DO NOT FULLY TIGHTEN BOLTS (C). APPLY FIRM PRESSURE TO ALIGN THEN FULLY TIGHTEN ALL BOLTS (C) USING WRENCH (F).**



STEP 4

Secure leg assembly to seat assembly using four Bolts (A). **FULLY TIGHTEN ALL BOLTS (A) USING WRENCH (E).**



ATTENTION: MAKE SURE ALL BOLTS ARE SECURELY TIGHTENED BEFORE USING THIS PRODUCT.