

KOBALT®

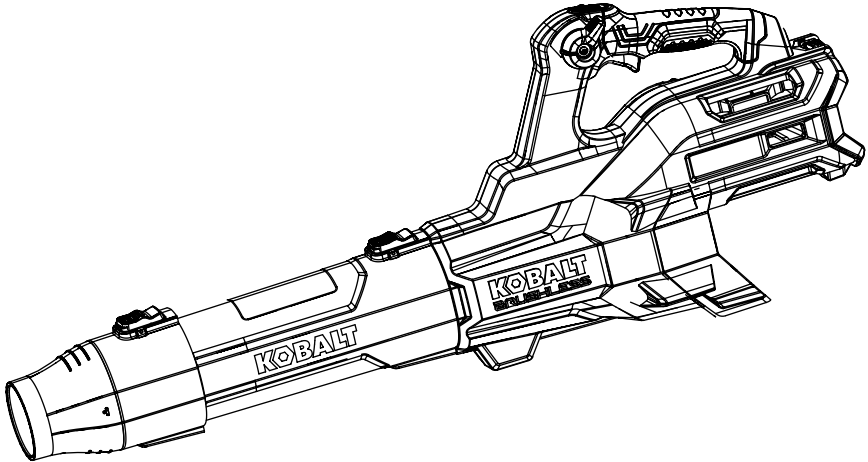
KOBALT and logo design are trademarks or registered trademarks of LF, LLC. All rights reserved.

ITEM #7853545/7853547
MODEL #KHB 8080-06/KHB 4081-06

80 V BRUSHLESS BLOWER

Español p. 16

ATTACH YOUR RECEIPT HERE



Serial Number _____

Purchase Date _____

Thank you for purchasing this **KOBALT** product.
Questions, problems or missing parts?
Before returning, contact us on:
888-356-2258, 8 a.m. - 8 p.m., EST, Monday - Sunday or ascs@lowes.com.

SG251043

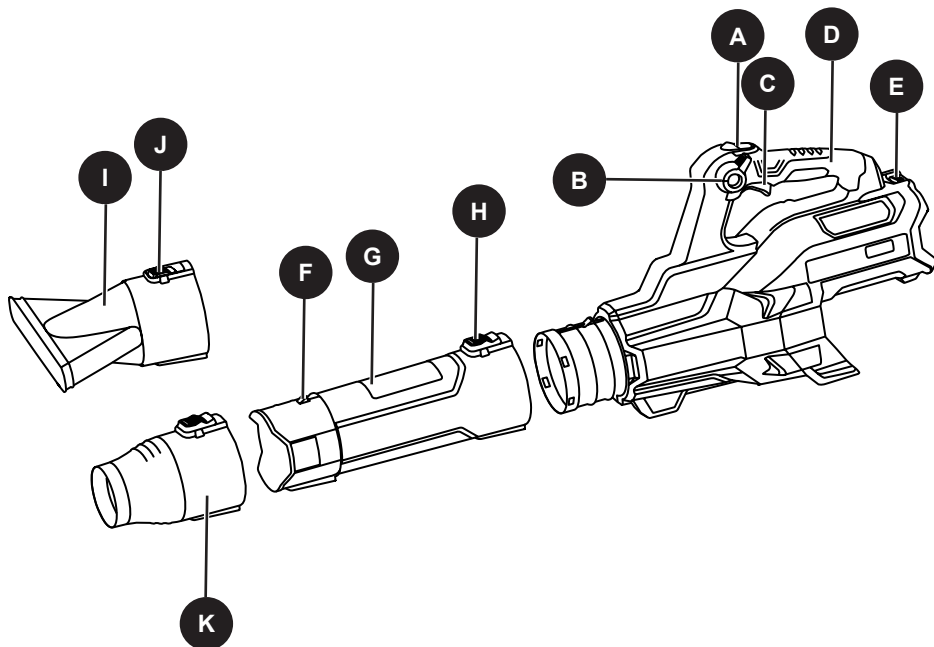
TABLE OF CONTENTS

| | |
|-----------------------------|----|
| Product Specifications..... | 2 |
| Package Contents..... | 3 |
| Symbols..... | 4 |
| Safety Information..... | 5 |
| Preparation..... | 8 |
| Assembly Instructions..... | 9 |
| Operating Instructions..... | 11 |
| Care and Maintenance | 12 |
| Troubleshooting | 13 |
| Warranty..... | 14 |
| Replacement Parts List..... | 15 |

PRODUCT SPECIFICATIONS

| SPECIFICATIONS | |
|----------------|---------|
| Voltage | 80 V DC |
| Air volume | 800 CFM |
| Air speed | 200 MPH |






PACKAGE CONTENTS






| PART | DESCRIPTION | QUANTITY |
|------|------------------------|----------|
| A | Turbo button | 1 |
| B | Cruise control lever | 2 |
| C | Trigger | 1 |
| D | Trigger handle | 1 |
| E | Battery release button | 1 |
| F | Tube latch | 2 |
| G | Blower tube | 1 |
| H | Tube release button | 1 |
| I | Concentrator nozzle | 1 |
| J | Nozzle release button | 1 |
| K | Tapered nozzle | 1 |

SYMBOLS


Some of the following symbols may be used on this product. Please study them and learn their meaning. Proper interpretation of these symbols will allow you to operate the product better and safer.

| SYMBOLS | EXPLANATION |
|---|--|
|  | To reduce the risk of injury, user must read instruction manual. |
|  | Keep bystanders away. |
|  | Do not expose to rain. |
|  | Wear eye and ear protection. |
|  | Disconnect battery before maintenance. |

The following signal words and meanings are intended to explain the levels of risk associated with this product.

| SYMBOL | SIGNAL | MEANING |
|---|---------|--|
|  | DANGER | Indicates an imminently hazardous situation, which, if not avoided, will result in death or serious injury. |
|  | WARNING | Indicates a potentially hazardous situation, which, if not avoided, could result in death or serious injury. |
|  | CAUTION | Indicates a potentially hazardous situation, which, if not avoided, may result in minor or moderate injury. |
| | CAUTION | (Without Safety Alert Symbol) Indicates a situation that may result in property damage. |

WARNING

- To avoid serious personal injury, do not attempt to use this product until you have read this owner's manual thoroughly and understand it completely. If you do not understand the warnings and instructions in this owner's manual, do not use this product.
Call **888-356-2258** for assistance.
-  The operation of any product can result in foreign objects being thrown into your eyes, which can result in severe eye damage. Before operating a product, always wear safety goggles, safety glasses with side shields, or a full-face shield when needed. A Wide Vision Safety Mask is recommended for use over eyeglasses or standard safety glasses with side shields. Always use eye protection that is marked to comply with ANSI Z87.1.

SAFETY INFORMATION

Please read and understand this entire manual before attempting to assemble, operate or install the product.

General Product Safety Warnings

WARNING

Read all safety warnings, instructions, illustrations and specifications provided with this product.

Failure to follow all instructions listed below may result in electric shock, fire and/or serious injury.

Save all warnings and instructions for future reference.

The term “product” in the warnings refers to your mains-operated (corded) product or battery operated (cordless) product.

Work area safety

- **Keep work area clean and well lit.** *Cluttered or dark areas invite accidents.*
- **Do not operate products in explosive atmospheres, such as in the presence of flammable liquids, gases or dust.** *Products create sparks which may ignite the dust or fumes.*
- **Keep children and bystanders away while operating a product.** *Distractions can cause you to lose control.*

Electrical safety

- **Product plugs must match the outlet. Never modify the plug in any way. Do not use any adapter plugs with earthed (grounded) products.** *Unmodified plugs and matching outlets will reduce risk of electric shock.*
- **Avoid body contact with earthed or grounded surfaces, such as pipes, radiators, ranges and refrigerators.** *There is an increased risk of electric shock if your body is earthed or grounded.*
- **Do not expose products to rain or wet conditions.** *Water entering a product will increase the risk of electric shock.*
- **Do not abuse the cord. Never use the cord for carrying, pulling or unplugging the product. Keep cord away from heat, oil, sharp edges or moving parts.** *Damaged or entangled cords increase the risk of electric shock.*
- **When operating a product outdoors, use an extension cord suitable for outdoor use.** *Use of a cord suitable for outdoor use reduces the risk of electric shock.*
- **If operating a product in a damp location is unavoidable, use a residual current device (RCD) protected supply.** *Use of an RCD reduces the risk of electric shock.*

Personal safety

- **Stay alert, watch what you are doing and use common sense when operating a product. Do not use a product while you are tired or under the influence of drugs, alcohol or medication.** *A moment of inattention while operating products may result in serious personal injury.*
- **Use personal protective equipment. Always wear eye protection.** *Protective equipment such as dust mask, non-skid safety shoes, hard hat, or hearing protection used for appropriate conditions will reduce personal injuries.*
- **Prevent unintentional starting. Ensure the switch is in the off-position before connecting to power source and/or battery pack, picking up or carrying the product.** *Carrying products with your finger on the switch or energizing products that have the switch on invites accidents.*
- **Remove any adjusting key or wrench before turning the product on.** *A wrench or a key left attached to a rotating part of the product may result in personal injury.*

SAFETY INFORMATION

- **Do not overreach. Keep proper footing and balance at all times.** *This enables better control of the product in unexpected situations.*
- **Dress properly. Do not wear loose clothing or jewelry. Keep your hair and clothing away from moving parts.** *Loose clothes, jewelry or long hair can be caught in moving parts.*
- **If devices are provided for the connection of dust extraction and collection facilities, ensure these are connected and properly used.** *Use of dust collection can reduce dust-related hazards.*
- **Do not let familiarity gained from frequent use of products allow you to become complacent and ignore product safety principles.** *A careless action can cause severe injury within a fraction of a second.*

Product use and care

- **Do not force the product. Use the correct product for your application.** *The correct product will do the job better and safer at the rate for which it was designed.*
- **Do not use the product if the switch does not turn it on and off.** *Any product that cannot be controlled with the switch is dangerous and must be repaired.*
- **Disconnect the plug from the power source and/or remove the battery pack, if detachable, from the product before making any adjustments, changing accessories, or storing products.** *Such preventive safety measures reduce the risk of starting the product accidentally.*
- **Store idle products out of the reach of children and do not allow persons unfamiliar with the product or these instructions to operate the product.** *Products are dangerous in the hands of untrained users.*
- **Maintain products and accessories. Check for misalignment or binding of moving parts, breakage of parts and any other condition that may affect the product's operation. If damaged, have the product repaired before use.** *Many accidents are caused by poorly maintained products.*
- **Keep cutting products sharp and clean.** *Properly maintained cutting products with sharp cutting edges are less likely to bind and are easier to control.*
- **Use the product, accessories and product bits etc. in accordance with these instructions, taking into account the working conditions and the work to be performed.** *Use of the product for operations different from those intended could result in a hazardous situation.*
- **Keep handles and grasping surfaces dry, clean and free from oil and grease.** *Slippery handles and grasping surfaces do not allow for safe handling and control of the product in unexpected situations.*

Battery product use and care

- **Recharge only with the charger specified by the manufacturer.** *A charger that is suitable for one type of battery pack may create a risk of fire when used with another battery pack.*
- **Use products only with specifically designated battery packs.** *Use of any other battery packs may create a risk of injury and fire.*
- **When battery pack is not in use, keep it away from other metal objects, like paper clips, coins, keys, nails, screws or other small metal objects, that can make a connection from one terminal to another.** *Shorting the battery terminals together may cause burns or a fire.*

SAFETY INFORMATION

- **Under abusive conditions, liquid may be ejected from the battery; avoid contact. If contact accidentally occurs, flush with water. If liquid contacts eyes, additionally seek medical help.** *Liquid ejected from the battery may cause irritation or burns.*
- **Do not use a battery pack or product that is damaged or modified.** *Damaged or modified batteries may exhibit unpredictable behavior resulting in fire, explosion or risk of injury.*
- **Do not expose a battery pack or product to fire or excessive temperature.** *Exposure to fire or temperature above 130°C (265 °F) may cause explosion.*
- **Follow all charging instructions and do not charge the battery pack or product outside the temperature range specified in the instructions.** *Charging improperly or at temperatures outside the specified range may damage the battery and increase the risk of fire.*
- Use only KOBALT 80-volt batteries (KB 280C-06, KB 2580C-06, KB 480-06, KB 580C-06, KB 680C-06).
- Use only KOBALT 80-volt chargers (KRC 0280-06, KRC 30-06, KDC 50-06).

Service

- **Have your product serviced by a qualified repair person using only identical replacement parts.** *This will ensure that the safety of the product is maintained.*
- **Never service damaged battery packs.** *Service of battery packs should only be performed by the manufacturer or authorized service providers.*

Garden blower safety warnings

- **Do not use the product in bad weather conditions, especially when there is a risk of lightning.** *This decreases the risk of being struck by lightning.*
- **Wear eye protection and ear protection.** *Adequate protective equipment will reduce the risk of personal injury.*
- **While operating the product, always wear nonslip and protective footwear. Do not operate the product when barefoot or wearing open sandals.** *This reduces the risk of injury to the feet.*
- **Do not wear loose fitting clothing or articles such as scarves, strings, chains, ties, etc., that could get drawn into the air inlets. Tie back or cover long hair to make sure it does not get drawn into the air inlets.** *If any of these items are drawn into the air inlets, it can increase the risk of personal injury.*
- **Keep bystanders away while operating the product.** *Thrown debris can increase the risk of personal injury.*
- **Never point the blower nozzle in the direction of people or pets or in the direction of windows. Use extra caution when blowing debris near solid objects, such as trees, automobiles and walls that can cause debris to ricochet.** *Thrown objects can damage property and increase the risk of personal injury.*
- **Do not use the product to blow anything that is burning or smoking, such as cigarettes, matches or hot ashes.** *These ignition sources may increase the risk of fire.*
- **Do not touch the fan while still in motion. Turn off the product and wait until the fan stops before removing any part that may give access to the fan.** *This reduces the risk of injury from moving parts.*
- **When clearing jammed material or servicing the product, make sure the power switch is off.** *Unexpected starting of the product while clearing jammed material or servicing may result in serious personal injury.*

SAFETY INFORMATION

WARNING (PROPOSITION 65)

Some dust created by power sanding, sawing, grinding, drilling, and other construction activities contains chemicals known to cause cancer, birth defects or other reproductive harm. Some examples of these chemicals are:

- Lead from lead-based paints.
- Crystalline silica from bricks and cement and other masonry products, and
- Arsenic and chromium from chemically treated lumber.

Your risk of exposure to these chemicals varies depending on how often you do this type of work. To reduce your exposure to these chemicals, work in a well-ventilated area, and work with approved safety equipment, such as dust masks that are specially designed to filter out microscopic particles.

THE RECOMMENDED AMBIENT TEMPERATURE RANGE:

| ITEM | TEMPERATURE |
|---------------------|---------------------------|
| Product storage | 32°F (0°C) - 113°F (45°C) |
| Product operation | 32°F (0°C) - 113°F (45°C) |
| Battery charging | 39°F (4°C) - 104°F (40°C) |
| Charger operation | 39°F (4°C) - 104°F (40°C) |
| Battery storage | 32°F (0°C) - 113°F (45°C) |
| Battery discharging | 32°F (0°C) - 113°F (45°C) |

SAVE THESE INSTRUCTIONS

PREPARATION

Before beginning assembly of product, make sure all parts are present. Compare parts with package contents list and hardware contents list. If any part is missing or damaged, do not attempt to assemble the product.

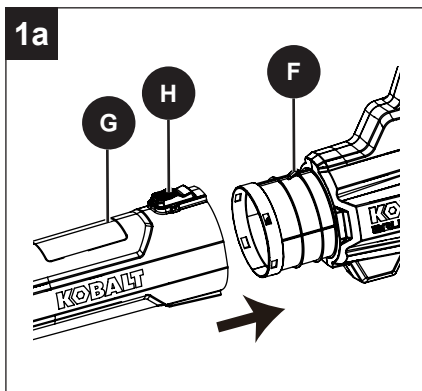
Estimated Assembly Time: 5 - 10 minutes

ASSEMBLY INSTRUCTIONS

1a. Assembling the blower tube

- Slide the blower tube (G) forward until the latch (F) on the blower housing engages securely with the tube release button (H).

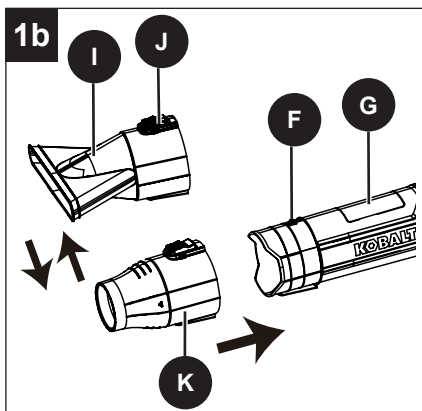
Note: Ensure that the blower tube is securely attached to the tubular end before starting the product.



1b. Assembling the nozzle

- Choose a nozzle (I) or (K).
- Slide the nozzle forward until the latch (F) on the blower tube (G) engages securely with the nozzle release button (J).
- To achieve higher airspeed, attach the nozzle to the blower tube until it clicks into place.

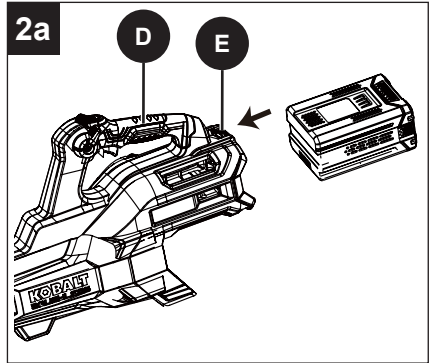
Note: Make sure that the nozzle and the blower tube are securely attached before starting the product.



ASSEMBLY INSTRUCTIONS

2a. Installing the battery

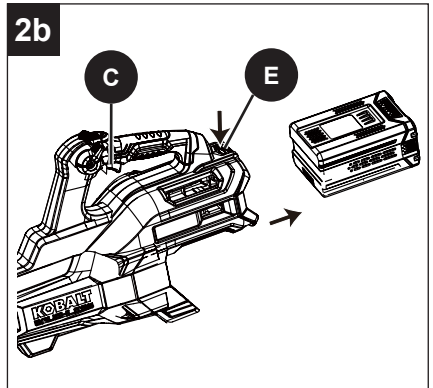
- Align the battery with the cavity in the handle housing in the blower.
- Grasp the trigger handle (D) firmly.
- Insert the battery in the opening until the battery release button (E) locks into place. You should hear a “click” once it is installed.



2b. Removing the battery

- Release the trigger (C).
- Press the battery release button (E). This will cause the battery to raise out of the product.
- Grasp the trigger handle firmly. Pull the battery pack out of the handle.

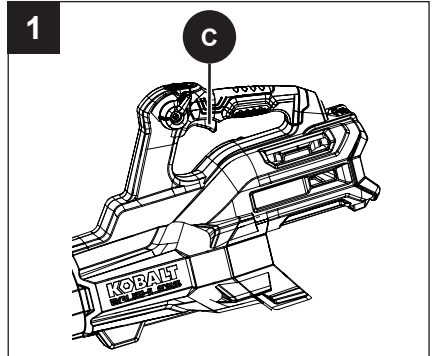
Note: The battery fits into the handle snugly in order to prevent accidental dislodging. It may require a strong pull to remove it.



OPERATING INSTRUCTIONS

1. Starting / stopping the blower

- Ensure that the battery is installed in the blower.
- Squeeze the trigger (C) to start the blower.
- To change speed, squeeze the trigger to increase the speed and release the trigger slightly to decrease the speed.
- Release the trigger completely to stop the blower.

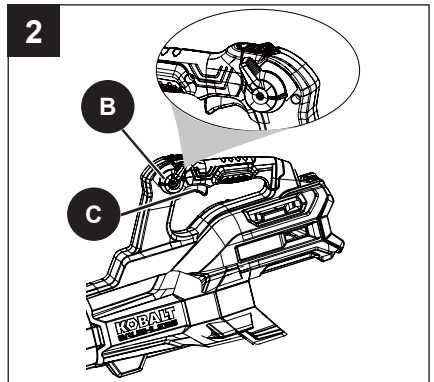


2. Using the cruise control lever

This blower is equipped with two cruise control levers (B). You can adjust the control lever with either hand for comfort.

- Squeeze the trigger (C) to start the product.
- Once the product is on, pull back the cruise control lever (B) clockwise to increase the speed. This will lock the speed at the desired setting.
- To decrease the speed, push the cruise control lever (B) counterclockwise to decrease the speed to the desired setting.

Note: The trigger will be locked at different levels based on the position of cruise control lever.

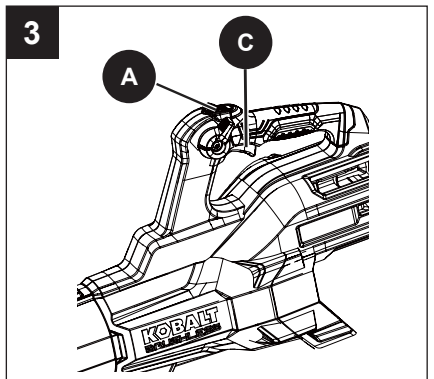


3. Using the turbo button

This blower is equipped with a turbo button (A).

- Squeeze the trigger (C) to start the product.
- To boost speed, press the turbo button (A) so that the blower can be operated at the highest speed.
- Once the turbo button is released, the blower will return to the previous speed.

Note: When operating the blower on turbo speed, the runtime will be reduced significantly.



OPERATING INSTRUCTIONS

4. Operating the blower

- To keep from scattering debris, blow around the outer edges of a debris pile. Never blow directly into the center of a pile.
- To reduce sound levels, limit the number of pieces of equipment used at any one time.
- Use rakes and brooms to loosen debris before blowing. In dusty conditions, slightly dampen surfaces when water is available.
- Conserve water by using power blowers instead of hoses for many lawn and garden applications, including areas such as gutters, screens, patios, grills, porches, and gardens.
- Watch out for children, pets, open windows, or freshly washed cars, and blow debris safely away.
- After using blowers or other equipment, clean up. Dispose of debris properly.

Note: Never cover air vents. Keep them free of obstructions and debris. They must always remain clear for proper motor cooling.

CARE AND MAINTENANCE

1. Examining the battery and the battery charger

Carefully inspect the battery, battery charger, and connection cord of the battery charger for any signs of damage, such as cracks or broken parts. Replace if necessary.

2. Cleaning the product

- Remove the battery.
- Brush or blow dust and debris out of the air vents using compressed air or a vacuum. Keep the air vents free of obstructions, sawdust, and wood chips. Do not spray, wash, or immerse the air vents in water.
- Wipe off the housing and the plastic components using a moist, soft cloth. Do not use strong solvents or detergents on the plastic housing or plastic components. Certain household cleaners may cause damage, and may cause a shock hazard.

3. Cleaning the battery and the battery charger

- Make sure that the battery and the battery charger and battery compartment are all clean and dry before you insert the battery into the battery charger.
- Clean the battery terminals with a soft and dry cloth.
- Clean the surface of the battery and the battery charger with a soft and dry cloth.

TROUBLESHOOTING

If you still have questions or an unresolved issue after going through this troubleshooting guide, or just want to speak to a KOBALT product expert, please call our KOBALT customer service department at **888-356-2258** or at ascs@lowes.com.

| PROBLEM | POSSIBLE CAUSE | CORRECTIVE ACTION |
|--|--|---|
| The product does not start. | The battery is not installed tightly. | Make sure that you securely insert the battery in the product. |
| | The battery is out of power. | Charge the battery according to the instructions included with your model. |
| | The trigger is defective. | Return to place of purchase or return the product to a repair center or call customer service department at 888-3KOBALT (888-356-2258) . |
| | The motor is defective. | |
| | The PCB board is defective. | |
| The air does not flow through the tube when you start the product. | The air inlet or tube outlet has a blockage. | Carefully remove the blockage. |

WARRANTY

5-YEAR LIMITED WARRANTY

This Kobalt 80 V Lithium-Ion backpack blower is warranted to the original purchaser from the original purchase date for five (5) years subject to the warranty coverage described herein.

This Kobalt 80 V Lithium-Ion backpack blower is warranted for the original user to be free from defects in material and workmanship.

If you believe that the Kobalt 80 V Lithium-Ion backpack blower is defective at any time during the specified warranty period, simply call our Warranty service (**888-356-2258**) along with proof of purchase.

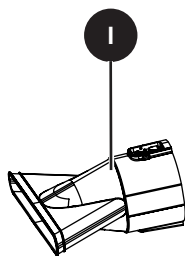
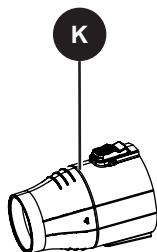
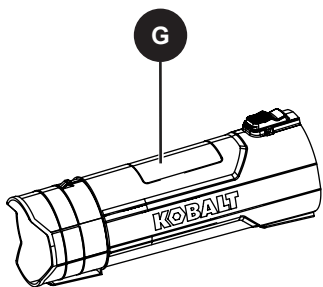
This warranty is void if: defects in materials or workmanship or damages result from repairs or alterations which have been made or attempted by others or the unauthorized use of nonconforming parts; the damage is due to normal wear, damage is due to abuse (including overloading of the tool beyond capacity), improper maintenance, neglect or accident; or the damage is due to the use of the tool after partial failure or use with improper accessories or unauthorized repair or alteration.

This warranty gives you specific legal rights, and you may also have other rights that vary from state to state.

Replacement parts are not covered under warranty.

REPLACEMENT PARTS LIST

For replacement parts, call our customer service department at **888-356-2258**, 8 a.m. - 8 p.m., EST, Monday - Sunday. You may also contact us at ascs@lowes.com.



| PART | DESCRIPTION | PART # |
|------|---------------------|-------------|
| G | Blower tube | R0214165-00 |
| K | Tapered nozzle | R0214166-00 |
| I | Concentrator nozzle | R0214167-00 |

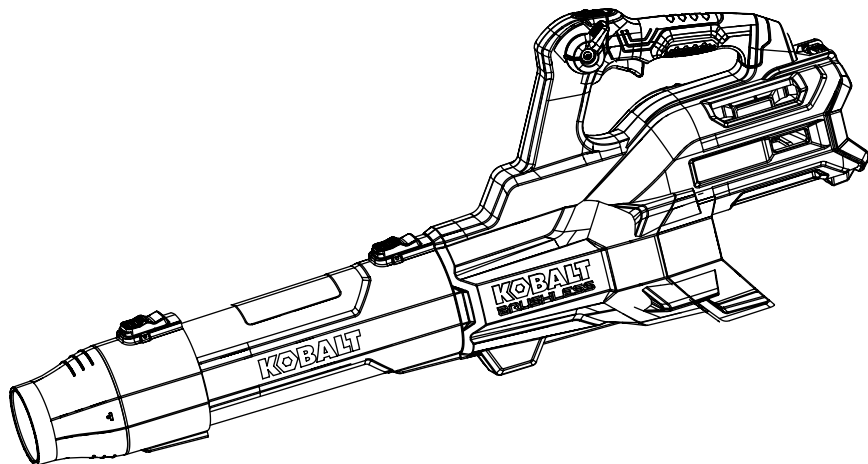
KOBALT®

KOBALT y el diseño del logotipo son marcas comerciales o marcas registradas de LF, LLC. Todos los derechos reservados.

ARTÍCULO #7853545/7853547
MODELO #KHB 8080-06/KHB 4081-06

SOPLADOR SIN ESCOBILLAS DE 80V

ADJUNTE SU RECIBO AQUÍ



Número de serie _____

Fecha de compra _____

Gracias por comprar este producto **KOBALT**.

¿Preguntas, problemas o piezas faltantes?

Antes de devolver, póngase en contacto con nosotros en:

888-356-2258, de lunes a domingo, de 8 a.m. a 8 p.m., hora estándar del Este,
o escriba a ascs@lowes.com.

SG251043

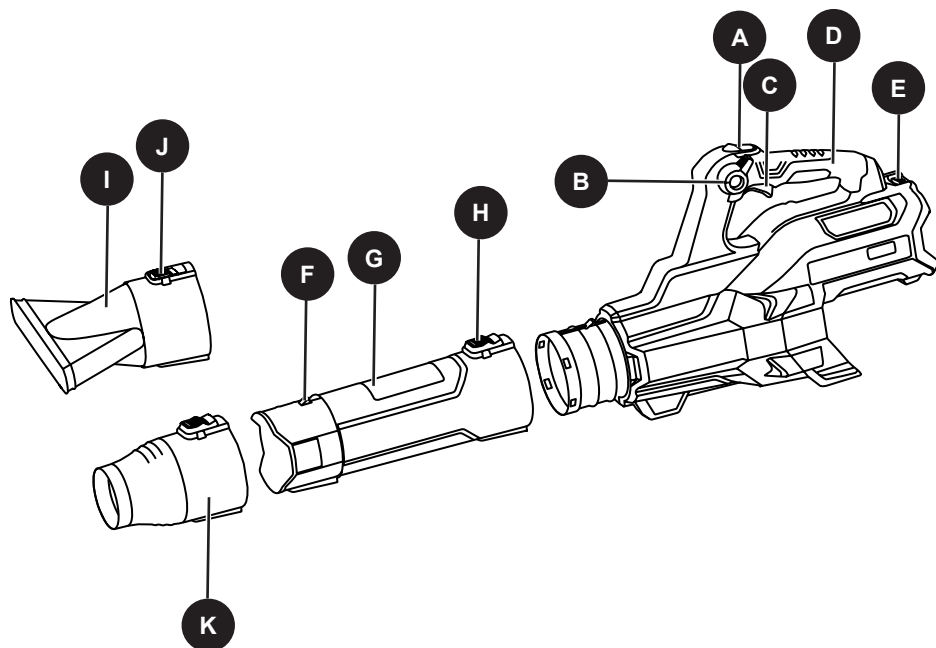
ÍNDICE

| | |
|--------------------------------------|----|
| Especificaciones del producto..... | 17 |
| Contenido del paquete..... | 18 |
| Símbolos..... | 19 |
| Información de seguridad..... | 20 |
| Preparación..... | 23 |
| Instrucciones de ensamblaje..... | 24 |
| Instrucciones de funcionamiento..... | 26 |
| Cuidado y mantenimiento..... | 28 |
| Solución de problemas..... | 29 |
| Garantía..... | 30 |
| Lista de piezas de repuesto..... | 31 |

ESPECIFICACIONES DEL PRODUCTO

| ESPECIFICACIONES | |
|-------------------|---------------------------|
| Voltaje | 80V CC |
| Volumen de aire | 22.65 M ³ /MIN |
| Velocidad de aire | 321.84 KM/H |

CONTENIDO DEL PAQUETE








| PIEZA | DESCRIPCIÓN | CANTIDAD |
|-------|-----------------------------------|----------|
| A | Botón turbo | 1 |
| B | Palanca de control de crucero | 2 |
| C | Gatillo | 1 |
| D | Mango de gatillo | 1 |
| E | Botón de liberación de la batería | 1 |
| F | Pestillo del tubo | 2 |




| PIEZA | DESCRIPCIÓN | CANTIDAD |
|-------|------------------------------------|----------|
| G | Tubo del soplador | 1 |
| H | Botón de liberación de la boquilla | 1 |
| I | Boquilla concentradora | 1 |
| J | Botón de liberación de la boquilla | 1 |
| K | Boquilla cónica | 1 |

SÍMBOLOS


Algunos de los siguientes símbolos pueden aplicarse al uso de este producto. Obsérvelos y aprenda su significado. La interpretación correcta de estos símbolos le permitirá utilizar el producto de manera eficaz y segura.

| SÍMBOLOS | EXPLICACIÓN |
|---|--|
|  | Para reducir el riesgo de lesiones, el usuario debe leer el manual de instrucciones. |
|  | Mantenga a los transeúntes alejados. |
|  | No lo exponga a la lluvia. |
|  | Use protección para los ojos y los oídos. |
|  | Desconecte la batería antes de realizar mantenimiento. |

Se usan las siguientes indicaciones y sus significados para explicar los niveles de riesgo asociados a este producto.

| SÍMBOLO | INDICACIÓN | SIGNIFICADO |
|---|-------------|--|
|  | PELIGRO | Indica una situación de peligro inminente que, de no evitarse, ocasionará la muerte o lesiones graves. |
|  | ADVERTENCIA | Indica una situación potencialmente peligrosa que, de no evitarse, puede ocasionar la muerte o lesiones graves. |
|  | PRECAUCIÓN | Indica una situación potencialmente peligrosa que, de no evitarse, puede ocasionar lesiones menores o moderadas. |
| | PRECAUCIÓN | (Sin símbolo de alerta de seguridad) Indica una situación que puede ocasionar daños materiales. |

ADVERTENCIA

- Para evitar lesiones personales graves, no intente usar este producto hasta que haya leído y comprendido completamente este manual del propietario. Si no comprende las advertencias e instrucciones de este manual del propietario, no utilice este producto. Llame al **888-356-2258** para obtener ayuda.
-  La operación de cualquier producto puede provocar que objetos extraños salten a sus ojos y, de esta manera, se causen graves daños oculares. Antes de operar un producto, use siempre lentes o gafas de seguridad con protecciones laterales y un protector facial cuando sea necesario. Se recomienda una máscara de seguridad de visión amplia sobre los lentes o las gafas de seguridad estándar con protección lateral. Siempre use lentes de protección que cumplan con la norma ANSI Z87.1.

INFORMACIÓN DE SEGURIDAD

Lea y comprenda completamente este manual antes de intentar ensamblar, usar o instalar el producto.

Advertencias de seguridad general para el producto

ADVERTENCIA

Lea todas las advertencias de seguridad, instrucciones, imágenes y especificaciones que se incluyen con este producto.

No seguir todas las instrucciones que se detallan a continuación podría provocar descargas eléctricas, incendios o lesiones graves.

Guarde todas las advertencias e instrucciones para referencia futura.

El término “producto” que aparece en las advertencias se refiere al producto que se conecta a la línea principal (con cable) o al producto que funciona con batería (inalámbrico).

Seguridad en el área de trabajo

- **Mantenga el área de trabajo limpia y bien iluminada.** *Las áreas desordenadas u oscuras aumentan las posibilidades de accidentes.*
- **No utilice productos en atmósferas en las que exista riesgo de explosión, como por ejemplo en presencia de líquidos, gases o polvo inflamables.** *Los productos producen chispas que podrían encender el polvo o el humo.*
- **Mantenga a los niños y transeúntes alejados durante la operación de un producto.** *Las distracciones pueden provocar que pierda el control.*

Seguridad eléctrica

- **Los enchufes del producto deben encajar en el tomacorriente. Nunca modifique el enchufe de ningún modo. No utilice ningún enchufe adaptador con productos con puesta a tierra.** *Los enchufes sin modificaciones y que encajan en los tomacorrientes reducen el riesgo de descarga eléctrica.*
- **Evite el contacto del cuerpo con superficies con puesta a tierra, tales como tuberías, radiadores, estufas o refrigeradores.** *Existe un mayor riesgo de descarga eléctrica si su cuerpo tiene conexión a tierra.*
- **No exponga los productos a la lluvia ni a condiciones de humedad.** *Si ingresa agua en un producto, aumentará el riesgo de descarga eléctrica.*
- **No maltrate el cable. Nunca use el cable para transportar, jalar o desenchufar el producto. Mantenga el cable alejado del calor, el aceite, los bordes filosos o las piezas en movimiento.** *Los cables dañados o enredados aumentan el riesgo de que se produzca una descarga eléctrica.*
- **Si opera un producto en exteriores, use una extensión eléctrica apropiada para su uso en exteriores.** *El uso de un cable apto para exteriores reduce el riesgo de sufrir una descarga eléctrica.*
- **Si es inevitable utilizar un producto en un lugar húmedo, use un suministro protegido con un dispositivo de corriente residual (RCD, por sus siglas en inglés).** *El uso de un RCD disminuye el riesgo de descargas eléctricas.*

Seguridad personal

- **Manténgase alerta, preste atención a lo que hace y utilice el sentido común al operar un producto. No utilice un producto si está cansado o bajo los efectos de drogas, alcohol o medicamentos.** *Un momento de desatención mientras opera productos puede provocar lesiones personales graves.*
- **Use equipos de protección personal. Siempre use lentes de protección.** *Los equipos de protección como una mascarilla antipolvo, zapatos de seguridad antideslizantes, un casco o protección para los oídos, utilizados en las condiciones apropiadas, reducirán las lesiones personales.*

- **Evite un arranque accidental. Asegúrese de que el interruptor esté en la posición de apagado antes de conectar la fuente o la batería, levantar o transportar el producto.** *Transportar productos con el dedo en el interruptor o enchufarlos con el interruptor encendido aumenta las posibilidades de accidentes.*
- **Retire todas las llaves de ajuste o llaves inglesas antes de encender el producto.** *Si se deja una llave conectada a una pieza giratoria del producto, se podrían producir lesiones personales.*
- **No se extienda demasiado. Mantenga una postura y un equilibrio adecuados en todo momento.** *Esto permite un mejor control del producto en situaciones inesperadas.*
- **Use ropa adecuada. No use ropa holgada ni joyas. Mantenga el cabello y la ropa alejados de las piezas en movimiento.** *La ropa holgada, las joyas o el cabello largo pueden quedar atrapados en las piezas en movimiento.*
- **Si se proporcionan dispositivos para la conexión de instalaciones de extracción y recolección de polvo, asegúrese de que se conecten y se usen debidamente.** *La recolección de polvo puede disminuir los peligros relacionados.*
- **No permita que la familiaridad del uso frecuente de los productos lo haga ignorar los principios de seguridad de los productos.** *Un descuido puede ocasionar una lesión grave en cuestión de segundos.*

Uso y cuidado del producto

- **No fuerce el producto. Utilice el producto adecuado para su aplicación.** *Un producto correcto hará un trabajo mejor y más seguro con un rendimiento para el cual se diseñó.*
- **No utilice el producto si el interruptor no enciende o apaga.** *Cualquier producto que no pueda controlarse con el interruptor es peligroso y debe repararse.*
- **Desconecte el enchufe de la fuente de alimentación o retire el paquete de baterías del producto (si es posible) antes de realizar cualquier ajuste, cambiar accesorios o almacenar productos.** *Este tipo de medidas de seguridad preventivas reducen el riesgo de arrancar el producto accidentalmente.*
- **Almacene los productos que no estén en uso fuera del alcance de los niños y no permita que las personas no familiarizadas con el producto o estas instrucciones lo operen.** *Los productos son peligrosos en manos de usuarios sin capacitación.*
- **Realice un mantenimiento adecuado de los productos y los accesorios. Revise si hay piezas móviles desalineadas o torcidas, si hay piezas rotas y cualquier otra condición que pueda afectar el funcionamiento del producto. Si se daña, haga reparar el producto antes de usarlo.** *Muchos accidentes son producto del mantenimiento incorrecto de los productos.*
- **Mantenga los productos de corte afilados y limpios.** *Los productos de corte con mantenimiento adecuado y bordes de corte afilados son menos propensos a trabarse y más fáciles de controlar.*
- **Use el producto, los accesorios y las puntas de acuerdo con estas instrucciones, considerando las condiciones de trabajo y el trabajo que desea realizar.** *El uso del producto en operaciones distintas para las que se diseñó podría crear una situación de peligro.*
- **Mantenga los mangos y las superficies de agarre secas, limpias y sin aceite ni grasa.** *Los mangos y las superficies de agarre húmedos no permiten una manipulación segura ni controlar el producto en situaciones inesperadas.*

Uso y cuidado del producto con batería

- **Recárguelo solo con el cargador especificado por el fabricante.** *Un cargador adecuado para un tipo de paquete de baterías puede generar un riesgo de incendio cuando se usa con otro paquete de baterías.*
- **Use productos solo con paquetes de baterías designados específicamente.** *El uso de cualquier otro paquete de baterías puede crear un riesgo de lesión e incendio.*

INFORMACIÓN DE SEGURIDAD

- **Cuando el paquete de baterías no esté en uso, aléjelo de objetos metálicos, como sujetapapeles, monedas, llaves, clavos, tornillos u otros objetos metálicos pequeños que pudieran crear una conexión entre los terminales.** *Es posible que conectar los terminales de la batería entre sí produzca quemaduras o un incendio.*
- **En condiciones de maltrato, es posible que salga líquido de la batería. Evite el contacto. Si se produce un contacto accidental, enjuague con agua. Si el líquido entra en contacto con los ojos, busque atención médica adicional. El líquido que sale de la batería puede provocar irritación o quemaduras.**
- **No use un paquete de baterías ni el producto si están dañados o modificados.** *Las baterías dañadas o modificadas pueden presentar un comportamiento impredecible que puede provocar un incendio, explosión o riesgo de lesión.*
- **No exponga el paquete de baterías ni el producto al fuego o a temperaturas excesivas.** *La exposición al fuego o a temperaturas por encima de los 129 °C (265 °F) puede causar una explosión.*
- **Siga todas las instrucciones de carga y no cargue el paquete de baterías o el producto fuera del rango de temperatura especificado en las instrucciones.** *La carga inadecuada o a temperaturas fuera del rango especificado podría dañar la batería y aumentar el riesgo de incendio.*
- Use solo baterías KOBALT de 80 voltios (KB 280C-06, KB 2580C-06, KB 480-06, KB 580C-06, KB 680C-06).
- Use solo cargadores KOBALT de 80 voltios (KRC 0280-06, KRC 30-06, KDC 50-06).

Reparación

- **Permita que solo una persona capacitada repare el producto, mediante el uso exclusivo de piezas de repuesto idénticas.** *Esto mantendrá la seguridad del producto.*
- **Nunca realice mantenimiento a los paquetes de baterías.** *Solo el fabricante o proveedores de servicio autorizados pueden realizar el mantenimiento de los paquetes de baterías.*

Advertencias de seguridad sobre sopladores de jardín

- **No use el producto en condiciones de mal tiempo, especialmente cuando hay riesgo de tormenta eléctrica.** *Esto disminuirá el riesgo de que le caiga un rayo.*
- **Use lentes de protección y protección para los oídos.** *El equipo de protección adecuado reducirá el riesgo de lesiones personales.*
- **Mientras utilice el producto, utilice siempre calzado protector antideslizante. No use el producto estando descalzo o al usar sandalias abiertas.** *Esto reduce el riesgo de lesiones en los pies.*
- **No use ropa ni artículos holgados como bufandas, colgantes, cadenas, corbatas, etc., que podrían introducirse en las entradas de aire. Amárrese o cúbrase el cabello largo para asegurarse de que no ingrese en las entradas de aire. Si alguno de estos elementos ingresa a las entradas de aire, puede aumentar el riesgo de lesiones personales.**
- **Mantenga alejados a los transeúntes mientras utiliza el producto.** *Los desechos arrojados pueden aumentar el riesgo de lesiones personales.*
- **Nunca apunte la boquilla del soplador a personas o mascotas, o en dirección a las ventanas. Tenga extremo cuidado cuando sople residuos cerca de objetos sólidos, como árboles, automóviles y paredes que pueden causar que los desechos reboten. Los objetos arrojados pueden dañar la propiedad y aumentar el riesgo de lesiones personales.**
- **No use el producto para soplar cualquier objeto encendido o con humo, como cigarrillos, fósforos o cenizas calientes.** *Estas fuentes de ignición pueden aumentar el riesgo de incendio.*

INFORMACIÓN DE SEGURIDAD

- **No toque el ventilador mientras esté en movimiento. Apague el producto y espere hasta que el ventilador se detenga antes de retirar cualquier pieza que pueda dar acceso al ventilador.** *Esto reduce el riesgo de lesiones por las piezas móviles.*
- **Al retirar material atascado o dar servicio al producto, asegúrese de que el interruptor de encendido esté apagado.** *Un arranque inesperado del producto durante la limpieza de material atascado o la reparación pueden provocar lesiones graves.*

ADVERTENCIA (PROPUESTA 65)

Parte del polvo causado por el lijado eléctrico, el serruchado, la trituración, el taladrado y otras actividades de la construcción contienen productos químicos que causan cáncer, defectos congénitos u otros daños en el aparato reproductivo. Algunos ejemplos de estos productos químicos son los siguientes:

- Plomo de pinturas a base de plomo.
- Sílice cristalina de ladrillos, cemento y otros productos de mampostería.
- Arsénico y cromo de madera tratada con químicos.

El riesgo que corre debido a la exposición a estos productos químicos varía según la frecuencia con que realiza este tipo de trabajo. Para reducir su exposición a estas sustancias químicas, trabaje en un área bien ventilada y utilice un equipo de seguridad aprobado, como las mascarillas antipolvo especialmente diseñadas para filtrar estas partículas microscópicas

RANGO DE TEMPERATURA AMBIENTE RECOMENDADO:

| ARTÍCULO | TEMPERATURA |
|------------------------------|-------------------------------|
| Almacenamiento del producto | 0 °C a 45 °C (32 °F a 113 °F) |
| Operación del producto | 0 °C a 45 °C (32 °F a 113 °F) |
| Carga de la batería | 4 °C a 40 °C (39 °F a 104 °F) |
| Operación del cargador | 4 °C a 40 °C (39 °F a 104 °F) |
| Almacenamiento de la batería | 0 °C a 45 °C (32 °F a 113 °F) |
| Descarga de la batería | 0 °C a 45 °C (32 °F a 113 °F) |

GUARDE ESTAS INSTRUCCIONES

PREPARACIÓN

Antes de comenzar a ensamblar el producto, asegúrese de tener todas las piezas. Compare las piezas con la lista del contenido del paquete y la lista de aditamentos. No intente ensamblar el producto si falta alguna pieza o si estas están dañadas.

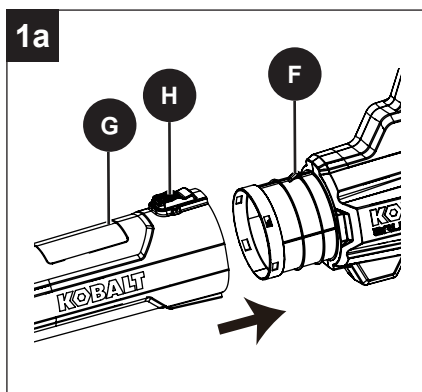
Tiempo estimado de ensamblaje: 5 a 10 minutos

INSTRUCCIONES DE ENSAMBLAJE

1a. Ensamblaje del tubo del soplador

- Deslice el tubo del soplador (G) hacia adelante hasta que el pestillo (F) en la carcasa del soplador se acople de forma segura con el botón de liberación del tubo (H).

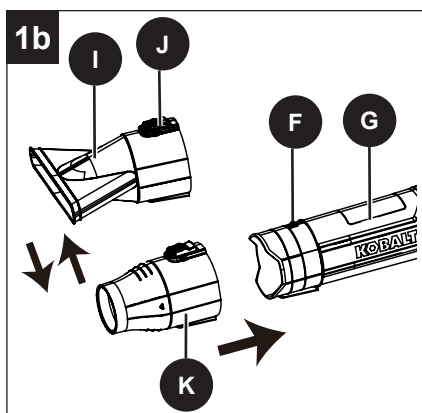
Nota: asegúrese de que el tubo del soplador esté bien conectado al extremo tubular antes de poner en marcha el producto.



1b. Ensamblaje de la boquilla

- Elija una boquilla, (I) o (K).
- Deslice la boquilla hacia adelante hasta que el pestillo (F) en el tubo del soplador (G) se enganche de forma segura con el botón de liberación de la boquilla (J).
- Para lograr una mayor velocidad del aire, fije la boquilla en el tubo del soplador hasta que encaje en su lugar.

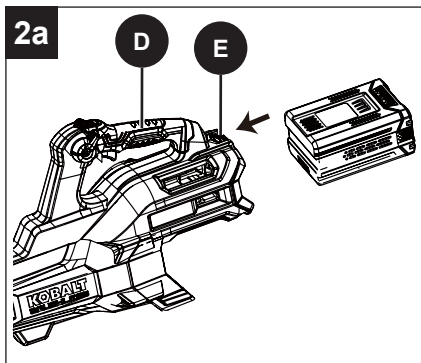
Nota: asegúrese de que la boquilla y el tubo del soplador estén bien conectados antes de poner en marcha el producto.



INSTRUCCIONES DE ENSAMBLAJE

2a. Instalación de la batería

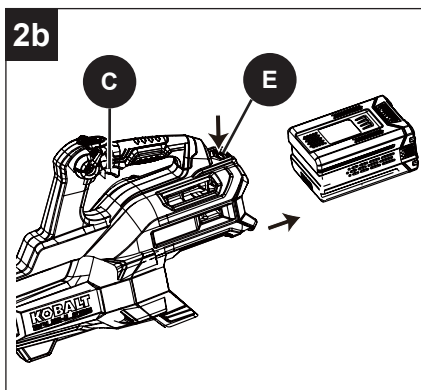
- Alinee la batería con la cavidad de la carcasa del mango del soplador.
- Agarre el mango del gatillo (D) con firmeza.
- Coloque la batería en la abertura hasta que el botón de liberación de la batería (E) se trabe en su lugar. Deberá escuchar un “clic” una vez que está instalado.



2b. Retiro de la batería

- Suelte el gatillo (C).
- Presione el botón de liberación de la batería (E). Esto hará que la batería se levante y se separe del producto.
- Tome el mango del gatillo con firmeza. Jale el paquete de baterías hasta retirarlo de la manija.

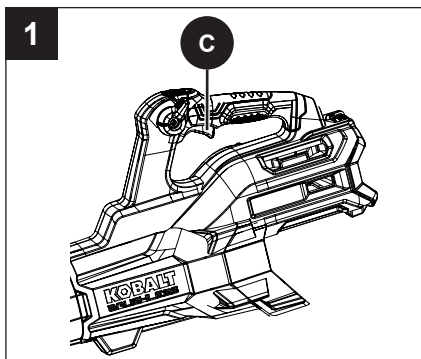
Nota: la batería se ajusta primero en el mango bien sujeto, de modo que se evite el desprendimiento accidental. Es posible que sea necesario un movimiento fuerte para retirarlo.



INSTRUCCIONES DE FUNCIONAMIENTO

1. Encendido y apagado del soplador

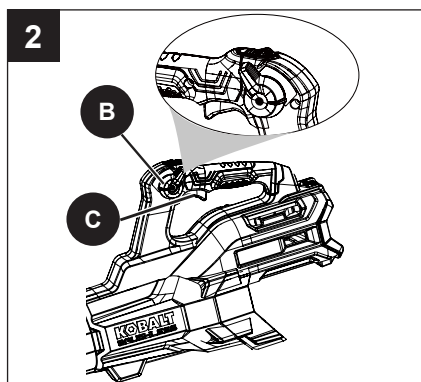
- Asegúrese de que la batería esté instalada en el soplador.
- Presione el gatillo (C) para encender el soplador.
- Para cambiar la velocidad, apriete el gatillo para aumentar la velocidad y suelte ligeramente el gatillo para disminuir la velocidad.
- Suelte el gatillo completamente para detener el soplador.



2. Use la palanca de control de crucero

Este soplador está equipado con dos palancas de control de crucero (B). Puede ajustar la palanca de control con cualquier mano para mayor comodidad.

- Presione el gatillo (C) para arrancar el producto.
- Una vez que el producto esté encendido, jale la palanca de control de crucero (B) en dirección de las manecillas del reloj para aumentar la velocidad. Esto trbarará la velocidad en el ajuste deseado.
- Para disminuir la velocidad, presione la palanca de control de crucero (B) en dirección contraria a las manecillas del reloj para disminuir la velocidad al ajuste deseado.



Nota: el gatillo se bloqueará en diferentes niveles basado en la posición de la palanca de control de crucero.

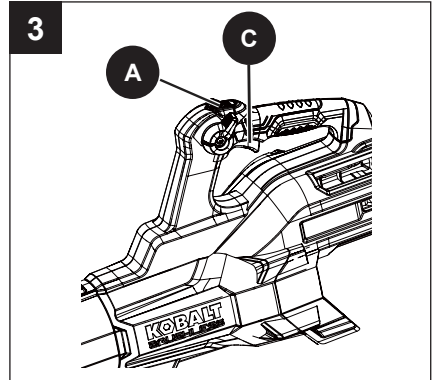
INSTRUCCIONES DE FUNCIONAMIENTO

3. Uso del botón turbo

Este soplador cuenta con un botón turbo (A).

- Presione el gatillo (C) para encender el soplador.
- Para aumentar la velocidad, presione el botón turbo (A) para que el soplador pueda operarse a la máxima velocidad.
- Una vez que suelte el botón turbo, el soplador regresará a la velocidad anterior.

Nota: al operar el soplador a la velocidad turbo, el tiempo de funcionamiento se verá reducido considerablemente.



4. Funcionamiento del soplador

- Para protegerlo de los desechos dispersos, sople por alrededor de los bordes de los desechos acumulados. Nunca sople directamente en el centro de la acumulación.
- Para reducir los niveles de ruido, limite el número de piezas del equipo utilizadas en cualquier momento dado.
- Use rastrillos y escobas para aflojar los residuos antes del soplado. En caso de lugares polvorientos, humedezca levemente las superficies si hay agua disponible.
- Conserve el agua mediante el uso de sopladores eléctricos en lugar de mangueras para muchas de las aplicaciones en el césped y el jardín, incluso áreas como canaletas, mallas, patios, parrillas, galerías y jardines.
- Vigile a los niños, las mascotas, las ventanas abiertas o los autos recién lavados y sople los residuos lejos de manera segura.
- Después de utilizar sopladores u otros equipos, limpie. Elimine los desechos de manera adecuada.

Nota: nunca cubra los conductos de ventilación. Manténgalos libres de obstrucciones y desechos. Siempre deben estar despejados para un enfriamiento adecuado del motor.

1. Comprobación de la batería y el cargador de batería.

Inspeccione cuidadosamente la batería, el cargador de la batería y el cable de conexión del cargador de batería para detectar cualquier señal de daños, como grietas o piezas rotas. Reemplácelos si es necesario.

2. Limpieza del producto

- Retire la batería.
- Cepille o sople el polvo y los escombros de los conductos de ventilación con aire comprimido o con una aspiradora. Mantenga los conductos de ventilación libres de obstrucciones, aserrín y virutas de madera. No rocíe, lave ni sumerja los conductos de ventilación en el agua.
- Limpie la carcasa y los componentes de plástico con un paño suave y húmedo. No utilice solventes o detergentes fuertes en la carcasa de plástico o en los componentes de plástico. Algunos limpiadores domésticos pueden causar daños y descargas eléctricas.

3. Limpieza de la batería y el cargador de batería

- Asegúrese de que la batería, el cargador de batería y el compartimento de la batería estén limpios y secos antes de insertar la batería en el cargador.
- Limpie los terminales de la batería con un paño suave y seco.
- Limpie la superficie de la batería y el cargador de batería con un paño suave y seco.

SOLUCIÓN DE PROBLEMAS

Si aún tiene preguntas o un problema sin resolver después de leer esta guía de solución de problemas, o si simplemente desea hablar con un experto en productos Kobalt, llame a nuestro Departamento de Servicio al Cliente de Kobalt al **888-356-2258** o escriba a **asc@lowes.com**.

| PROBLEMA | CAUSA POSIBLE | ACCIÓN CORRECTIVA |
|---|---|---|
| El producto no arranca. | La batería no está instalada firmemente. | Asegúrese de insertar la batería en el producto de forma segura. |
| | La batería está agotada. | Cargue la batería según las instrucciones incluidas con su modelo. |
| | El gatillo está defectuoso. | Devuelva el producto al lugar de compra, devuélvalo a un centro de reparación o llame al Departamento de Servicio al Cliente al 888-3KOBALT (888-356-2258) . |
| | El motor está defectuoso. | |
| | El tablero PCB está defectuoso. | |
| El aire no fluye a través del tubo cuando enciende el producto. | Hay una obstrucción en la entrada de aire o la salida del tubo. | Retire la obstrucción cuidadosamente. |

GARANTÍA

5 AÑOS DE GARANTÍA LIMITADA

Este soplador tipo mochila Kobalt con batería de iones de litio de 80V está garantizado para el comprador original desde la fecha de compra original durante cinco (5) años y está sujeto a la cobertura de garantía que se describe en el presente.

Este soplador tipo mochila Kobalt con batería de iones de litio de 80V tiene una garantía para el usuario original contra defectos en los materiales y la mano de obra.

Si cree que el soplador tipo mochila Kobalt con batería de iones de litio de 80V está defectuoso en cualquier momento durante el período de garantía especificado, simplemente llame a nuestro servicio de garantía (**888-356-2258**) y tenga a mano el comprobante de compra.

Esta garantía es nula si: los defectos en los materiales, la mano de obra o los daños se produjeron debido a reparaciones o modificaciones hechas o que se hayan intentado hacer por parte de terceros o el uso no autorizado de piezas que no cumplan con los requisitos, el daño se debe al desgaste normal; el daño se debe al abuso (lo que incluye la sobrecarga de la herramienta más allá de su capacidad), mantenimiento inadecuado, negligencia o accidente; o el daño se debe al uso de la herramienta después de una falla parcial o uso con accesorios inadecuados o reparación o alteración no autorizada.

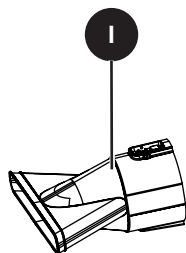
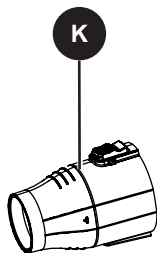
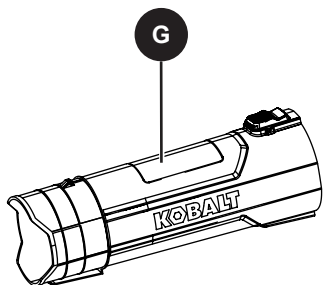
Esta garantía le otorga derechos legales específicos, pero podría tener también otros derechos que varían según el estado.

Las piezas de repuesto no están cubiertas por la garantía.

LISTA DE PIEZAS DE REPUESTO

Para obtener piezas de repuesto, llame a nuestro Departamento de Servicio al Cliente al **888-356-2258**, de lunes a domingo de 8 a.m. a 8 p.m., hora estándar del Este.

También puede ponerse en contacto con nosotros a través de ascs@lowes.com.



| PIEZA | DESCRIPCIÓN | N.º DE PIEZA |
|-------|------------------------|--------------|
| G | Tubo del soplador | R0214165-00 |
| K | Boquilla cónica | R0214166-00 |
| I | Boquilla concentradora | R0214167-00 |

Rev B



P0806206-00