

GREYFIELD

SINGLE HANDLE KITCHEN FAUCET

SKU: 948401



FEATURES

Design: Modern
Non-kink nylon hose.
Optional deck plate included.
3-Function sprayer-stream, full spray and pause.
60 psi.

SIGNATURE HARDWARE Lifetime Warranty

See website for detailed warranty information.

CONTENTS

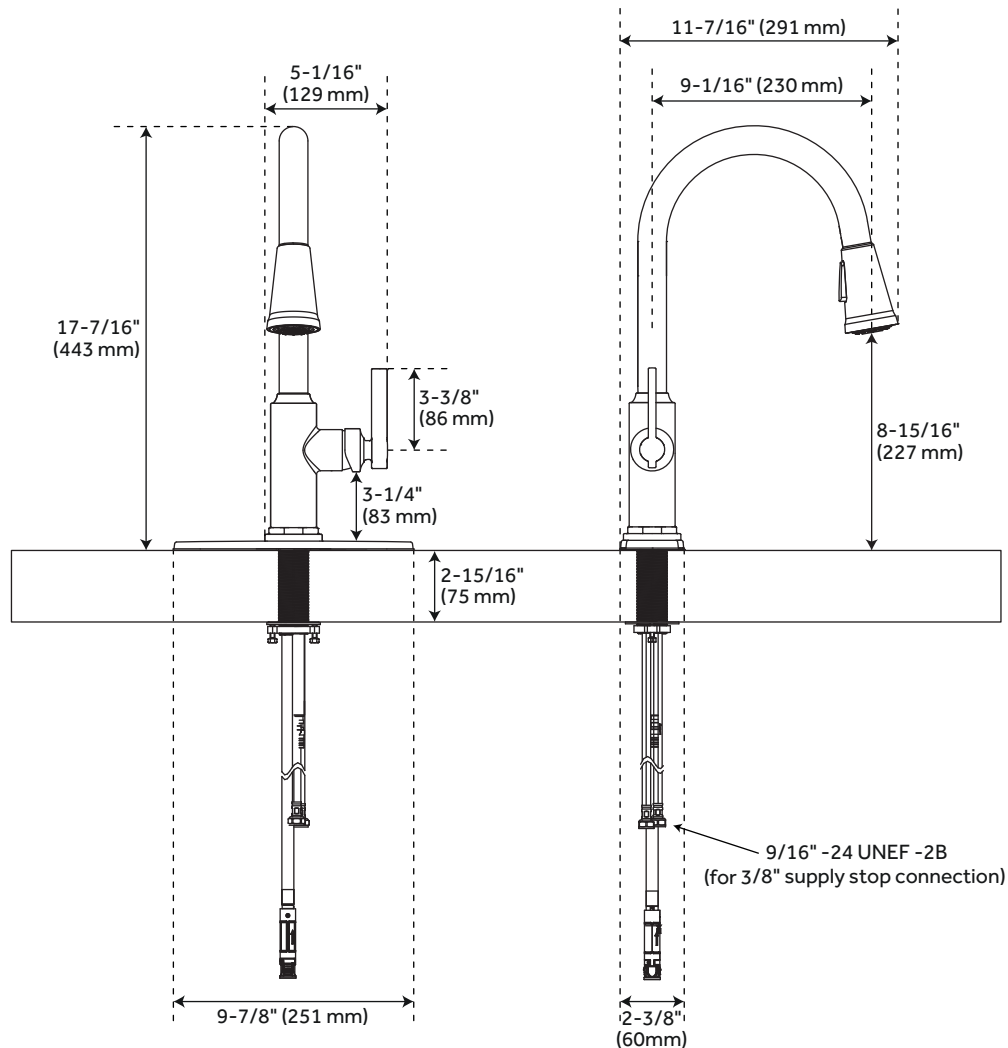
FAUCET PAGE 2

REVISED 01/18/2020

GREYFIELD

SINGLE HANDLE KITCHEN FAUCET

SKU: 948401



FEATURES

Installation Type: Single-Hole
Faucet Holes: 1
Material: Brass
Faucet Centers: Single-Hole
Handle Type: Lever
Features: ADA Compliant, Pull-Down
Faucet Material: Brass
Length: 9-7/8"
Width: 11-7/16"
Height: 17-7/16"
Height To Spout: 8-15/16"
Spout Reach: 9-1/16"
Swivel Spout: Yes
Base Plate Length: 9-7/8"
Base Plate Width: 2-3/8"
Handle Length: 3-3/8"
Ceramic Disc Cartridges: Yes
Maximum Flow Rate: 1.8 gpm (6.8L/min)
max @ 60 psi

CODES/STANDARDS

cUPC
ASME A112.18.1/CSA B125.1
NSF/ANSI 61
NSF/ANSI 372
ICC/ANSI A117.1 (when installed according
to ADA standards)
WaterSense
CEC Listed
CALGreen
Massachusetts Accepted



SIGNATURE HARDWARE LIFETIME WARRANTY

See website for warranty information



All dimensions and specifications are nominal and may vary. Use actual products for accuracy in critical situations.

PAGE 2
CODE: SHXCGF101SS/SHXCGF101CP/SHXCGF101PN