



Non-Bypass Sliding Barn Door Hardware

Installation Manual

**NO
MEASURING
NEEDED!**



SAFETY PRECAUTIONS

⚠ WARNING!

Power tools can cause serious damage if not professionally used. Safety gear must be worn before and during installation to prevent unexpected injuries.

Pick an area free of hazardous condition before you start on the project. Please use tools and power tools responsibly. Accidents may occur due to abuse of tools.

Please make sure all hardware secured onto the door is sufficiently tight. Doors with loose hardware may result in serious injuries. To avoid any problems, make sure the hardware is secure before door is put on the track.

All hardware provided is for safety reasons. Anti-Jump systems are to prevent doors from falling off of the track while in use. Please follow each instruction carefully. Track must be installed on studs in order to keep the track and doors secure. All safety hardware and instructions included in this project must be used and followed specifically to prevent any serious problems.

!CAUTION!

- **Big objects required in this project are needed to be carefully and responsibly moved. Be sure to wear safety gloves and shoes to prevent any serious injury.**
- **Be extremely careful to not put any parts of your body against a moving part of the hardware. This may cause bruising, punctures, and other results of injuries, for example when fingers are caught in the closing area of the doors.**
- **Precautions should be taken when opening or closing the door(s). Handles should be used when attempting to slide the doors. Always keep you and children aware and safe from any unexpected situations.**
- **Any extreme uncontrolled pressure opening or closing the door(s) can damage the hardware gradually. Use handle(s) to open and close the door(s) with care at all times.**

PRE-INSTALL NOTICE

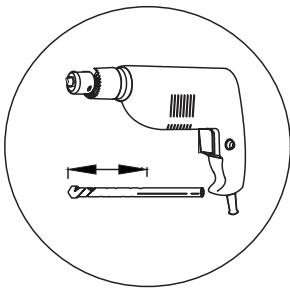
DOOR THICKNESS

Make sure the door you use is within the thickness of 1-1/4" ~ 1-3/4". If your door is thicker than 2" you will have to add a header board according to how much thicker it is to 2". Let's say your door is 2-1/2" then that is 1/2" more than 2". Then header board thickness should be 1/2" or more. The thicker header you choose the more gap you create between the inner door to the wall. The maximum thickness this hardware kit can go is 1-7/8". We suggest 1-3/4" to be in a safe range. Second to consider is getting different size hex bolts for the front faced rollers since the one provided in the box may only fit the range 1-1/4" ~ 1-3/4". You can search "hex bolt" on our website and select the size and color according to the size chart in the description of the hex bolt.

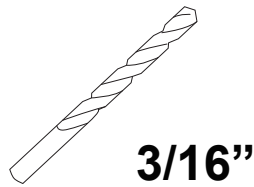
HEADER BOARD

Header is suggested when the studs do not line up with the track. It is also suggested if you have a door trim and if the door thickness and the door trim added up to be more than 1-3/4".

DRILL BIT SIZES

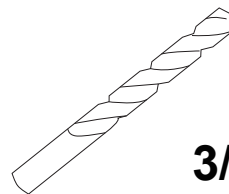


Lag Bolt Drill Bit



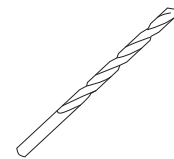
3/16"

Hex Bolt Drill Bit



3/8"

T-shape Screw Drill Bit



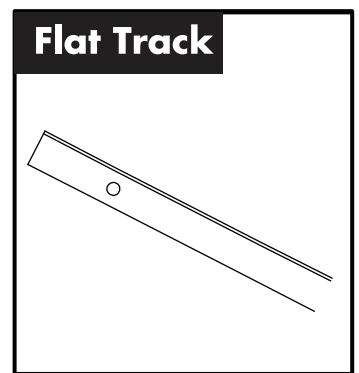
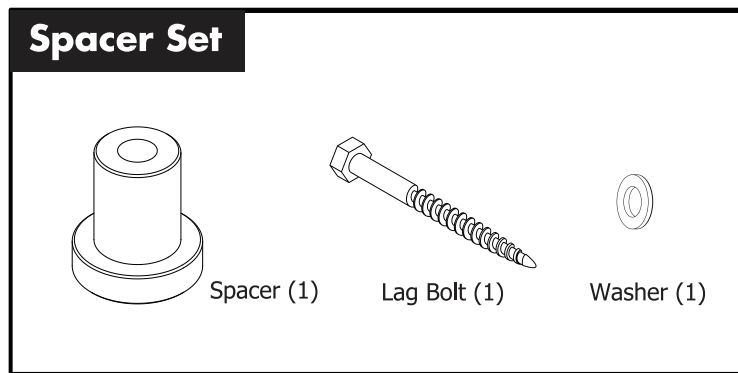
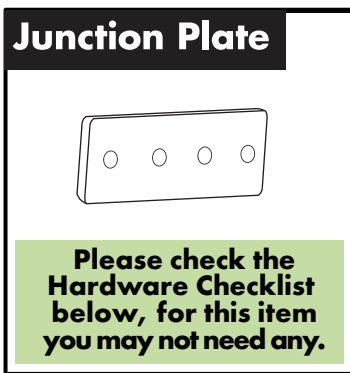
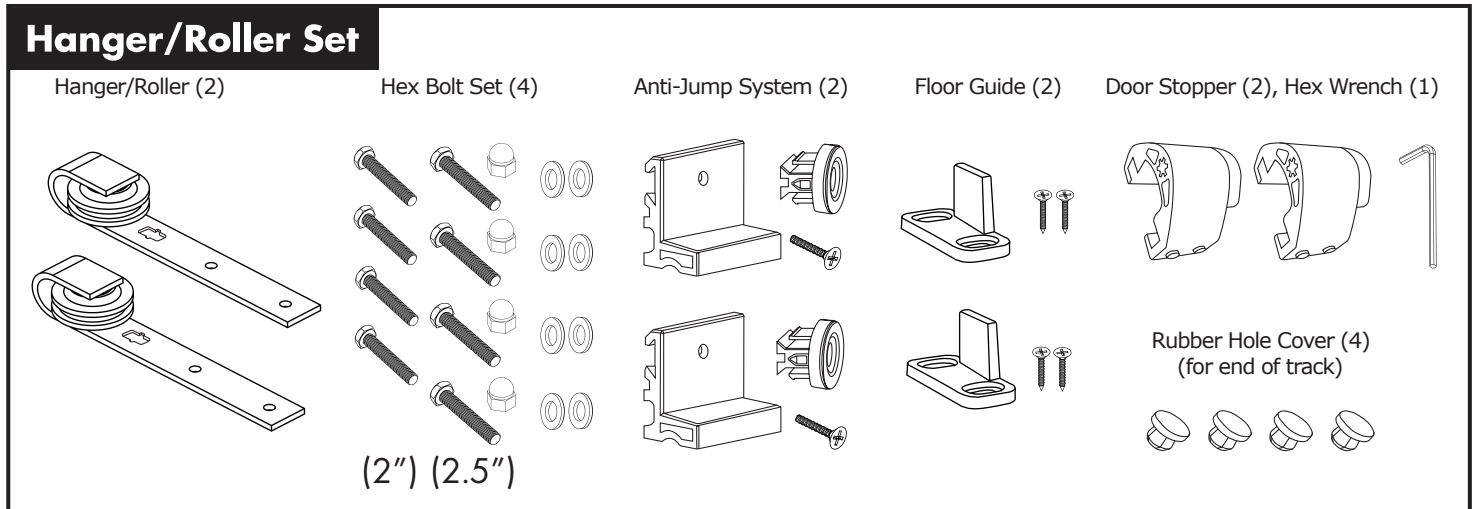
1/8"

DOOR WEIGHT

This hardware total weight capacity is 220lbs. If all the studs are attached to the track and installed properly the weight capacity may go up to 300lbs maximum in total for all doors combined.

HARDWARE INCLUDED

Different track length comes with different hardware quantity.
Please be sure to check the hardware you should have before installation.



HARDWARE CHECKLIST

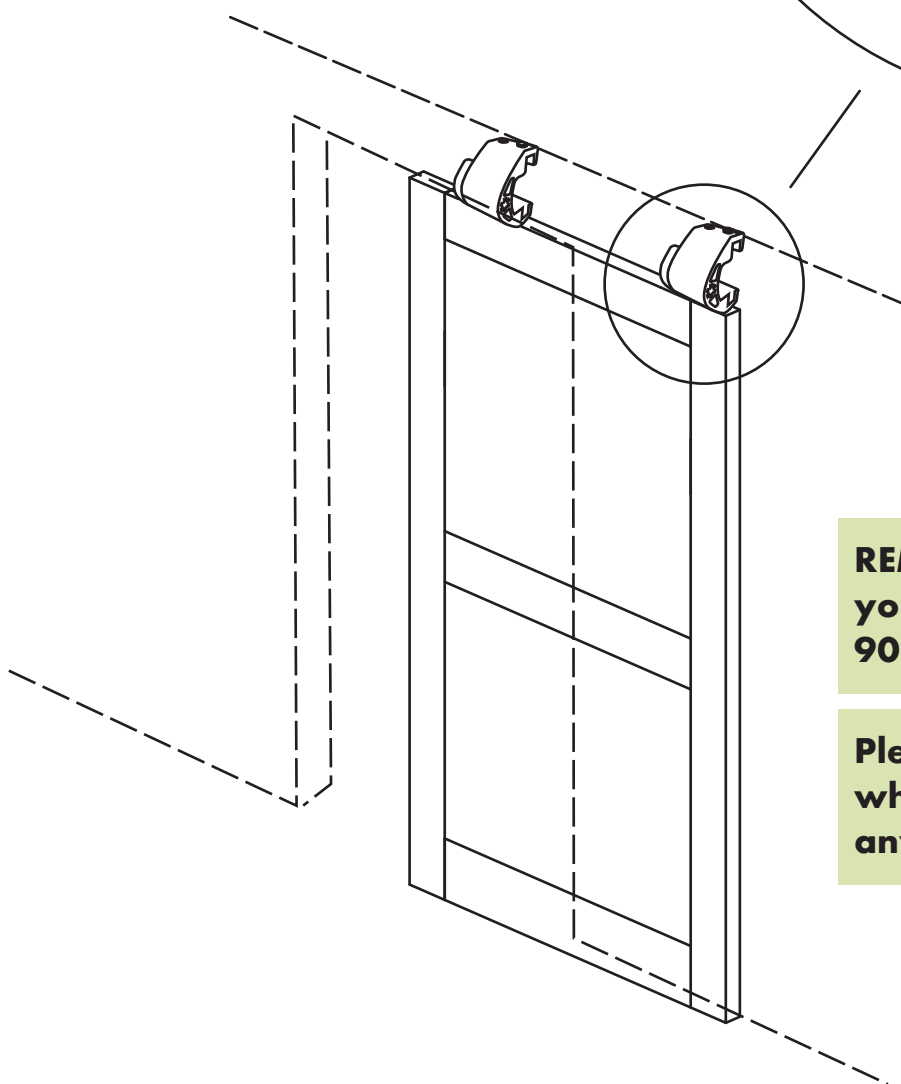
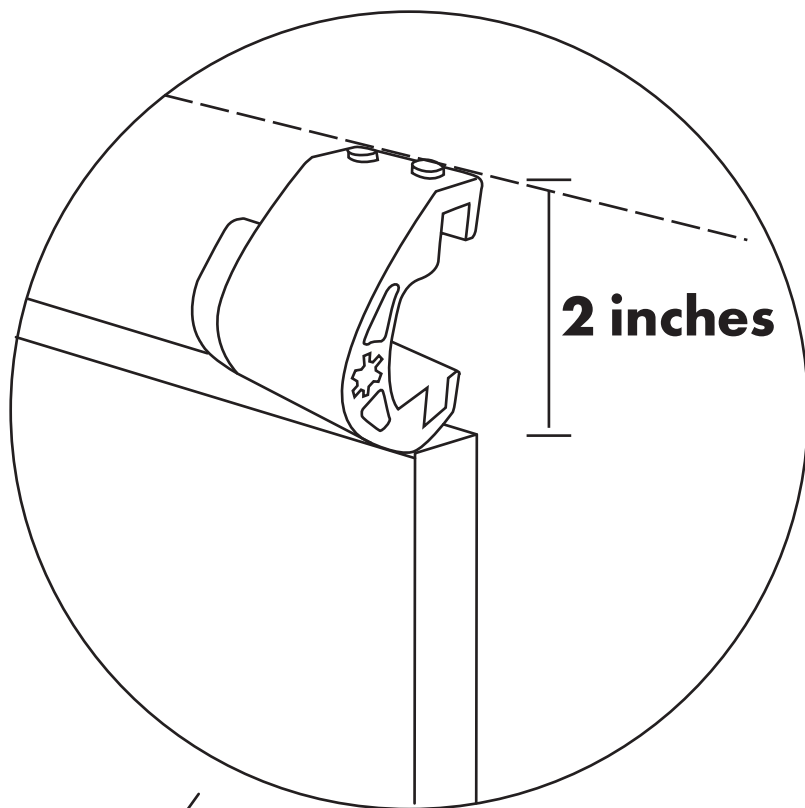
Track Measurement	Hanger/Roller Set for Single Door Kit	Hanger/Roller Set for Double Door Kit	Flat Track	Spacer Set	Junction Plate
4FT	1	2	1	3	0
4.5FT	1	2	1	3	0
5FT	1	2	1	4	0
5.5FT	1	2	1	4	0
6FT	1	2	1	5	0
6.6FT	1	2	1	5	0
7FT	1	2	1	5	0
7.5FT	1	2	1	6	0
8FT	1	2	1	6	0
9FT	1	2	2	6	1
10FT	1	2	2	8	1
11FT	1	2	2	8	1
12FT	1	2	2	10	1
13FT	1	2	2	10	1
14FT	1	2	2	10	1
15FT	1	2	2	12	1
16FT	1	2	2	12	1
18FT	1	2	3	15	2
20FT	1	2	3	15	2

INSTRUCTIONS

REMINDER: Depth of track to wall is 1 3/8". If you have a door trim be sure to use a header that has the same thickness of your trim before installation of the track.

Drawing the horizontal reference line:

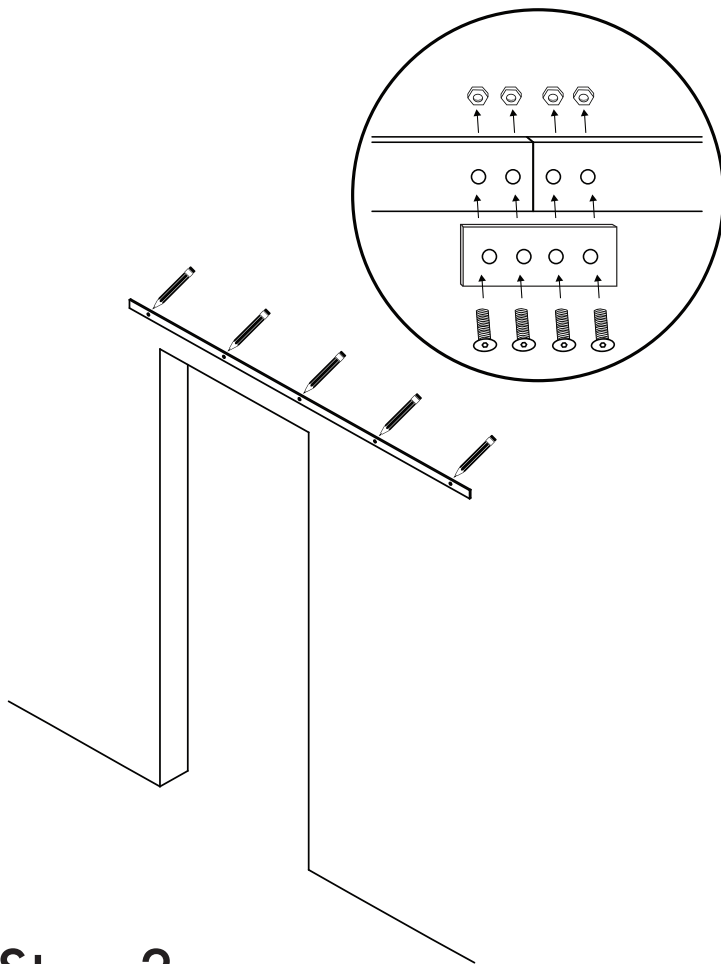
Place your door in your open space. Position the C-shape door stopper on top of the door (like shown), then draw a horizontal line on top of the stopper. This line will be the center line for your track's mounting holes.



REMINDER: Please make sure your door is positioned at a 90-degree angle to the floor.

Please be careful at all times while moving your door to avoid any possible injuries.

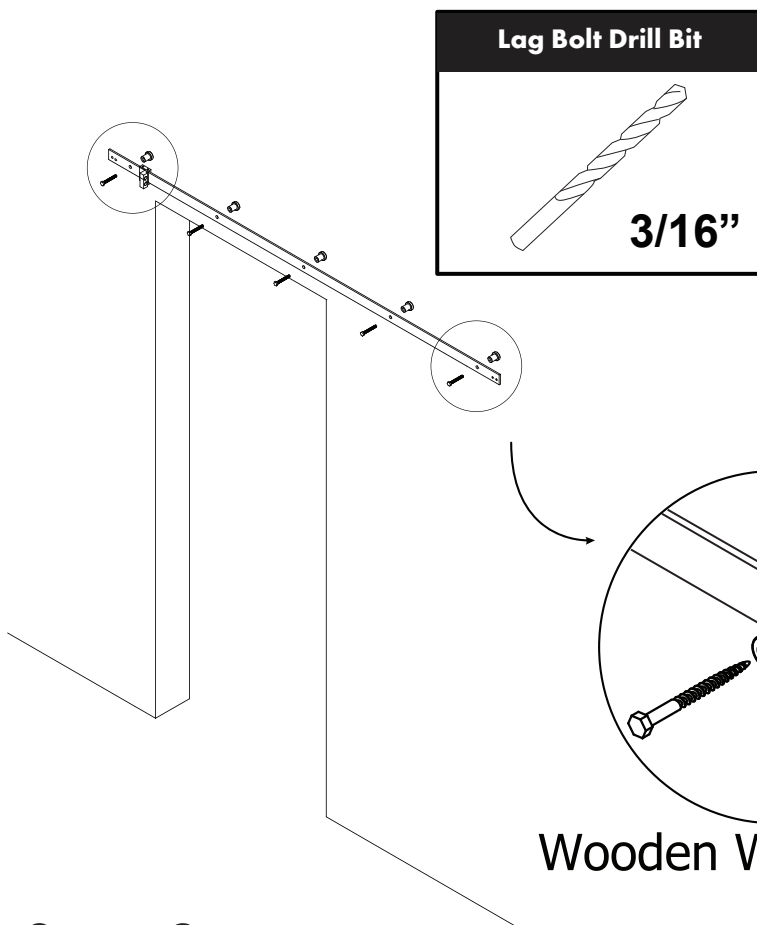
Step-1



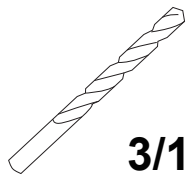
If your track comes in 2 pieces or more, install the junction plate onto each 2 tracks (like the diagram shown here).

Find all the studs, lay the track on the wall, align the center line of your track horizontally with the previously drawn line, ensure each hole is on a stud, and mark the hole positions.

Step-2



Lag Bolt Drill Bit



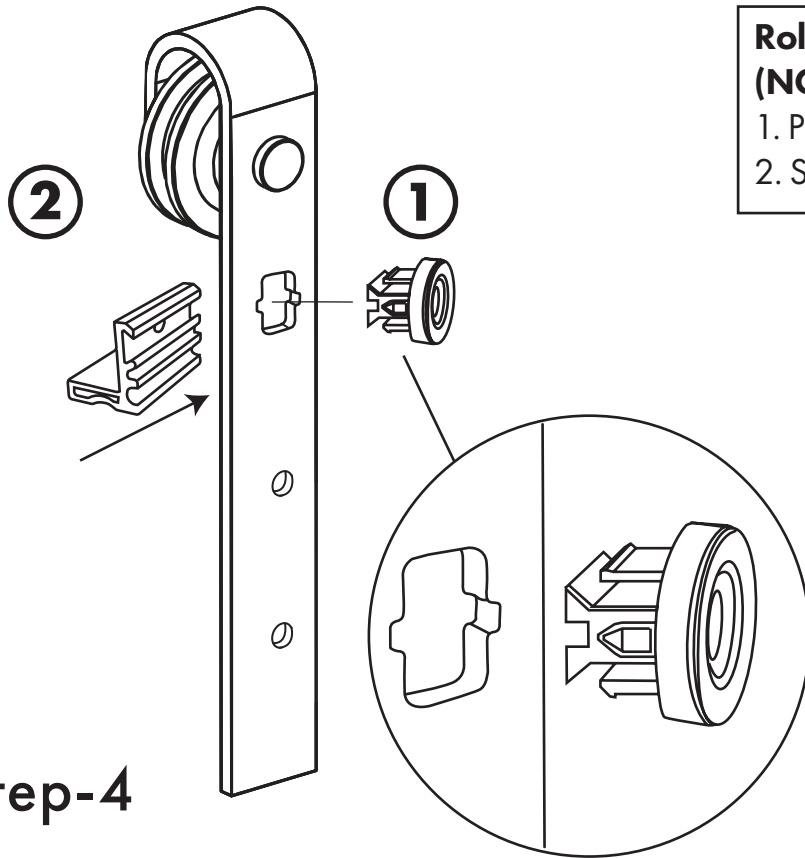
3/16"

Drill the previously marked holes and install the lag bolt and spacer onto the first hole and the last hole first as show in the picture. Repeat the same process for the remaining holes.

CAUTION: Do not over tighten when installing the track on any drywall surfaces or you may damage your drywall.

Wooden Wall/Drywall

Step-3

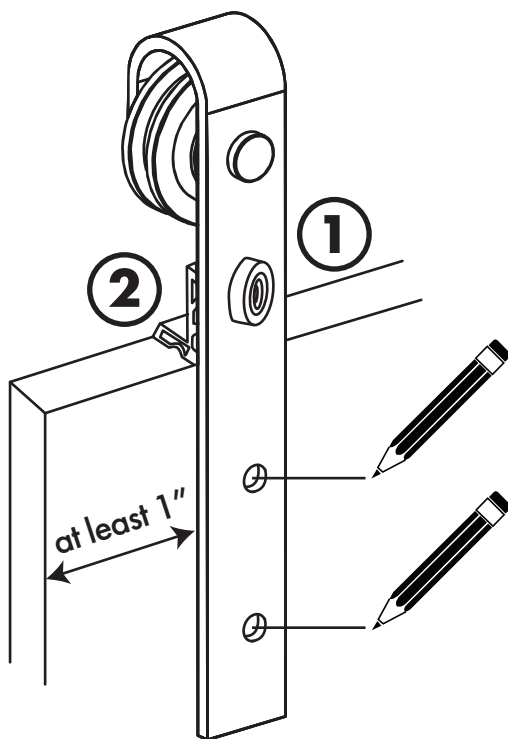


Step-4

**Roller Installation instructions
(NO MEASUREMENT NEEDED):**

1. Place ① into the square slot on the roller.
2. Slide ② onto the back of ①

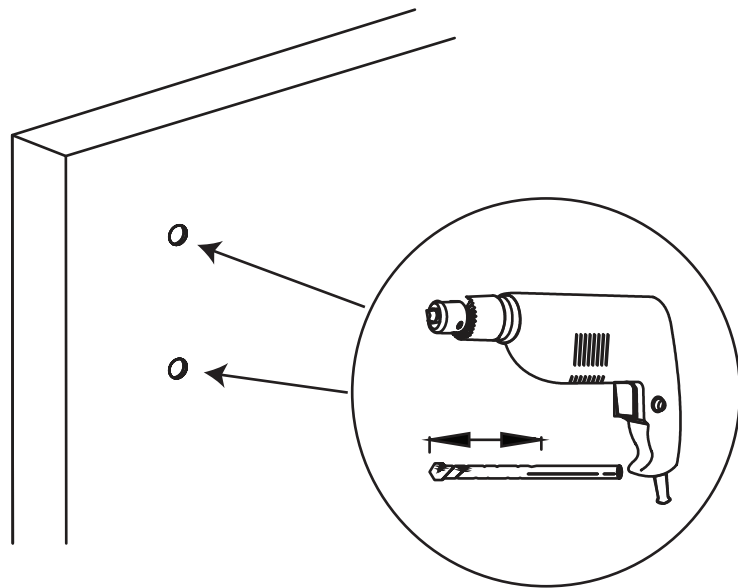
IMPORTANT:
PLEASE KEEP ② UPRIGHT LIKE SHOWN IN PICTURE WHEN INSERTING INTO THE SQUARE SLOT, OR YOU MAY DAMAGE THE PART.



Step-5

cont.

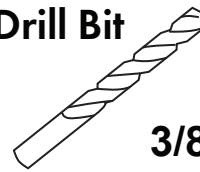
3. Place the roller with the anti-jump system on top of your door (make sure the bottom flat part of ② is on top of the door). The distance between the side edge of the door and the hanger should at least be 1" to prevent any damage to your doors. Then draw the drill holes onto your door.



Step-6

Hex Bolt Drill Bit

Drill Bit



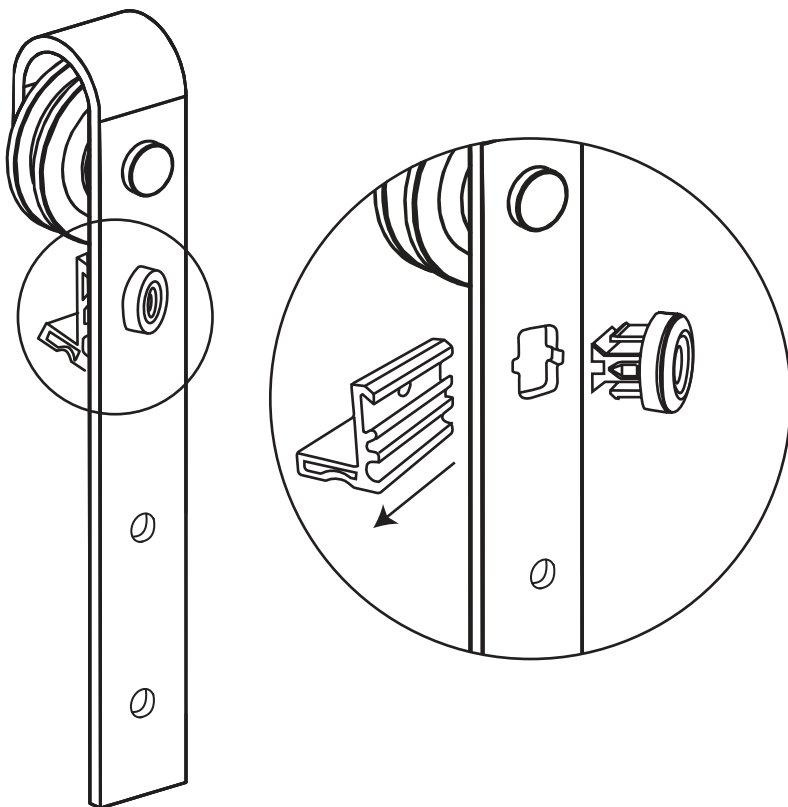
3/8"

cont.

4. Take your roller off of your door. Drill the holes for the hanger according to your previously drawn holes from step-5.

WARNING:

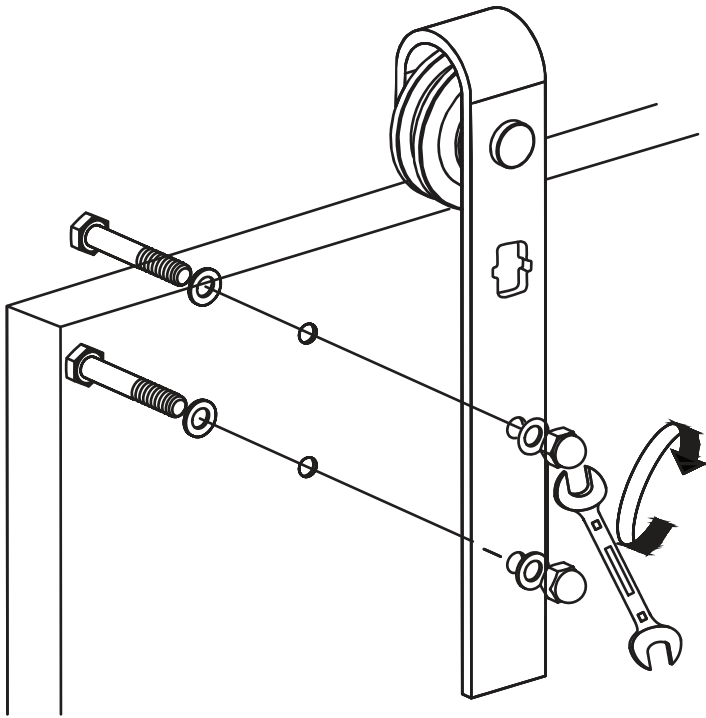
REMEMBER NOT TO DRILL HOLES INTO YOUR DOOR WHILE THE ROLLER IS STILL ON THE DOOR.



Step-7

IMPORTANT:

Please remember to take your anti-jump system off of your rollers before mounting your roller onto your door.



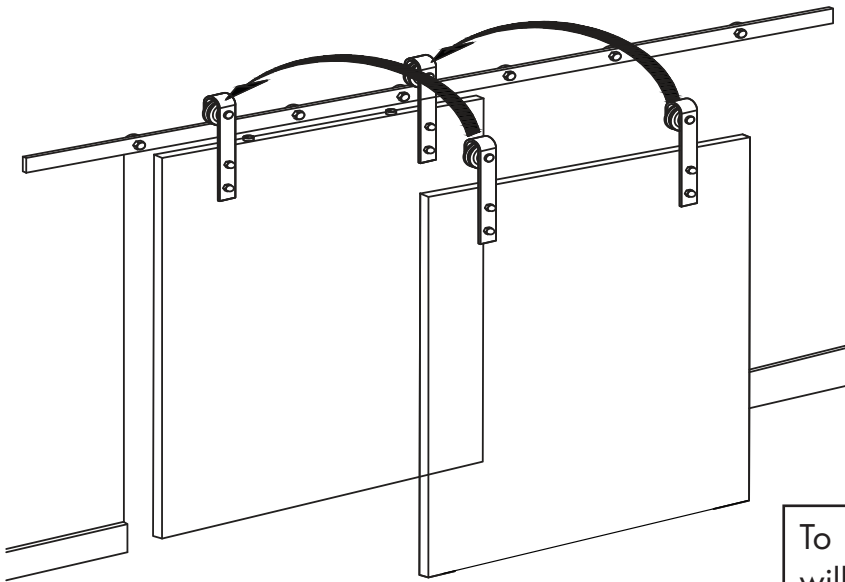
cont.

5. Finally, mount the roller onto your door by installing the hex bolts and the acorn nuts.

WARNING:

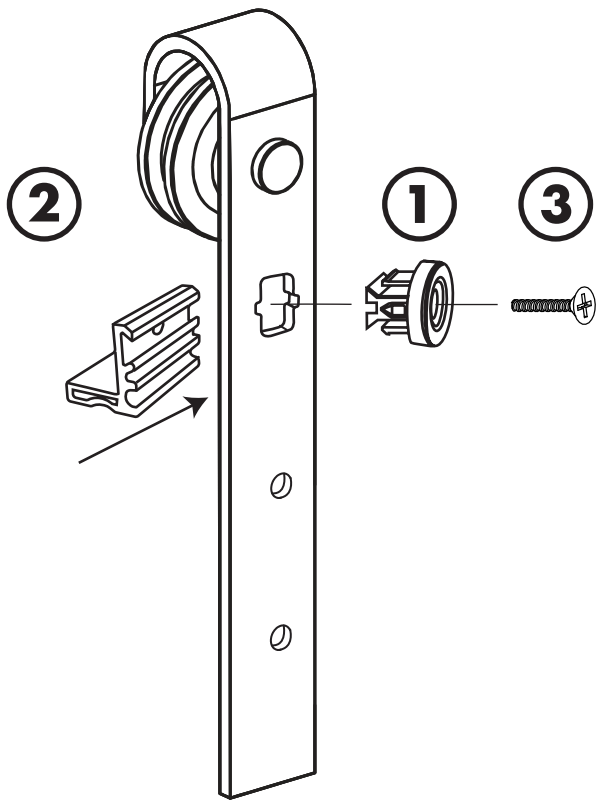
PLEASE DO NOT USE A POWER DRILL FOR THESE BOLTS

Step-8



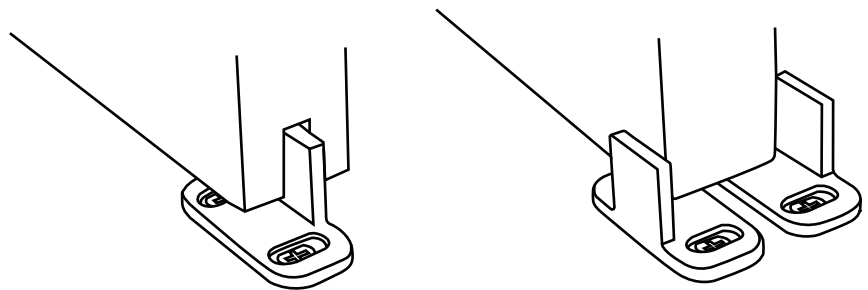
To mount your doors onto the track, you will have to lift your door at a slight angle and rest both wheel grooves onto the top of the track carefully.

Step-9



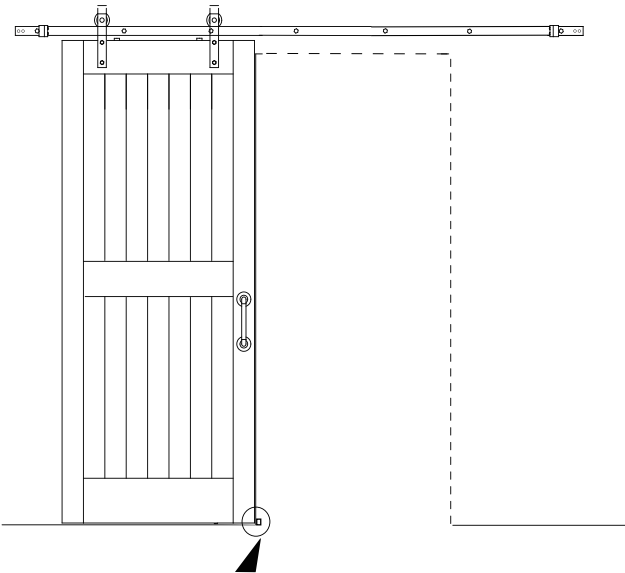
IMPORTANT:
After mounting your door to the track, please remember to add the anti-jump system back onto your roller by repeating step-4.
Then, insert the screw into the hole and tighten it by using a screw-driver.
(ATTN: DO NOT USE A POWER DRILL AS IT WILL DAMAGE THE PLASTIC PART.)

Step-10



Groove Door

Non-Groove Door

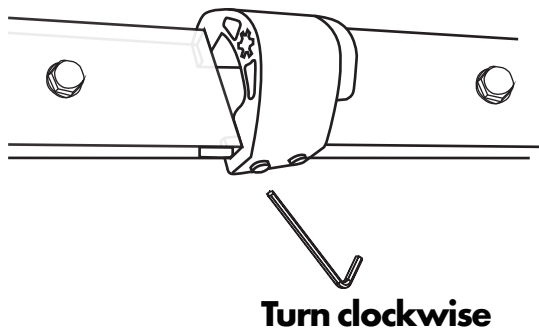


Our preferred location of the floor guide

Install the floor guide on the edge of the opening where the door sits or slides over to. Here above is a diagram of the 2 ways you can use our given floor guide in the hardware kit.

If you are looking for different floor guides please check out our website. Type in "Floor Guide" in the search bar and you will be able to find different designs.

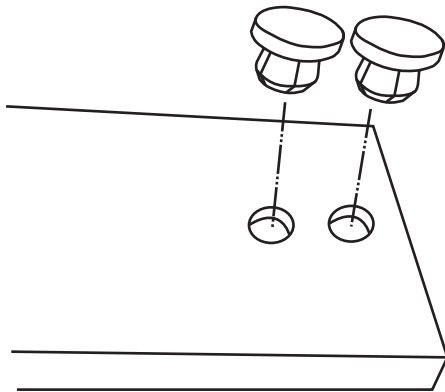
Step-11



Install the door stoppers on each end of the track, like shown in diagram with hex wrench.

This door stopper is adjustable. You can change its position however you like by just sliding it on the track and tightening it where you need it to be. It slides over all lag bolt head.

Step-12



Finally, you can place the rubber covers onto the holes at the end of your track if you want to cover them up.

Feel free to place these from the backside of your track if you want a less conspicuous look!

Step-13

YOUR INSTALLATION IS COMPLETE!



SLIDING HARDWARE / BARN DOORS

High Quality • Exquisite Design • Outstanding Services

ABOUT US

At Homacer, our goal is to provide the finest sliding barn door hardware products and services for our valued customers. We keep polishing our products to make their quality better, prices lower and installation easier. We make it possible for you to get everything you need from us when you think about installing sliding barn doors.

CONTACT US

Bulk Membership Program

To learn more about bulk / dropship order program you may contact us at

Office #: 1(770)-559-5849

Website: www.homacer.com/pages/membership-program

Email us: sales@homacer.com

CUSTOMER SERVICE TECH SUPPORT

Office #: 1(770) 864-5437

Website: www.homacer.com

Email us: support@homacer.us

LOCATION

1885 Beaver Ridge Cir, Ste A
Norcross, GA 30071

For additional hardware and accessories such as floor guide, soft close, and door handles, they can all be found on our website at www.homacer.com. If you have any other inquiries, you can always contact us through phone or emails.



80in & 84in Height Pine Wood Barn Door

Installation Manual



SAFETY PRECAUTIONS

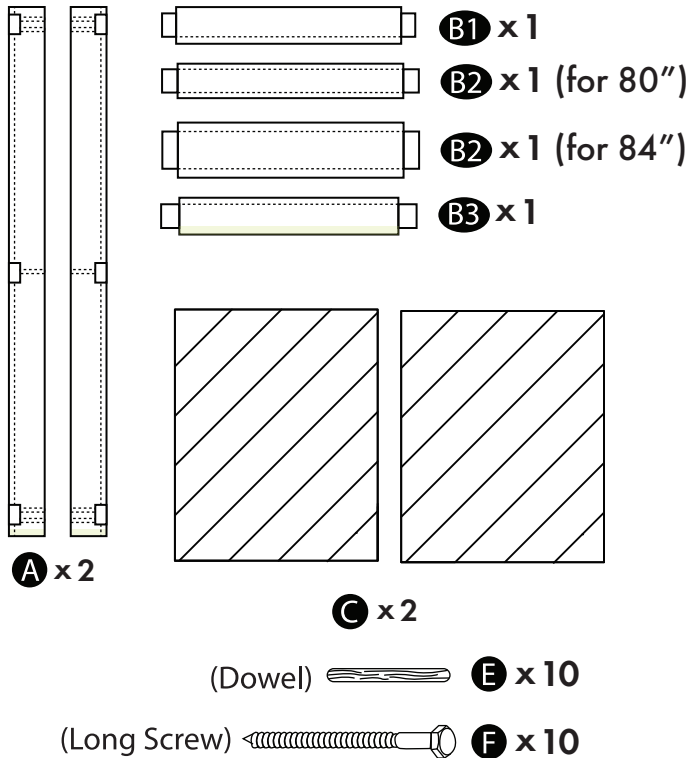
!CAUTION!

- Power tools can cause serious damage if not professionally used. Safety gear must be worn before installation to prevent unexpected injuries.
- Pick an area free of hazardous condition before you start on the project. Please use tools and power tools responsibly any loss of control and accident deaths may occur due to abuse of tools.
- Big objects required in this project are needed to be carefully and responsibly moved. Be sure to wear safety gloves and shoes to prevent any serious injury.
- Be extremely careful to not put any parts of your body against a moving part of the hardware. This may cause bruising, punctures, and other results of injuries when for example when fingers are caught in the closing area of the doors.
- Precautions should be taken when opening or closing the door(s). Handles should be used when attempting to slide the door(s). Always keep you and children aware and safe from any unexpected situations.
- Any extreme uncontrolled pressure opening or closing the door(s) can damage the hardware gradually. Use handle(s) to open and close the door(s) with care at all times.

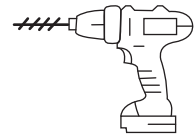
HARDWARE INCLUDED

Please check that you have the correct quantity of door panels and hardware before installation.

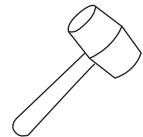
MAIN COMPONENTS



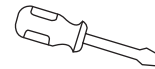
TOOLS NEEDED



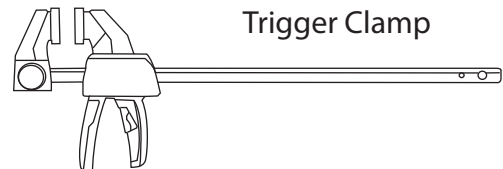
Drill or Phillip Screw Driver



Rubber Mallet



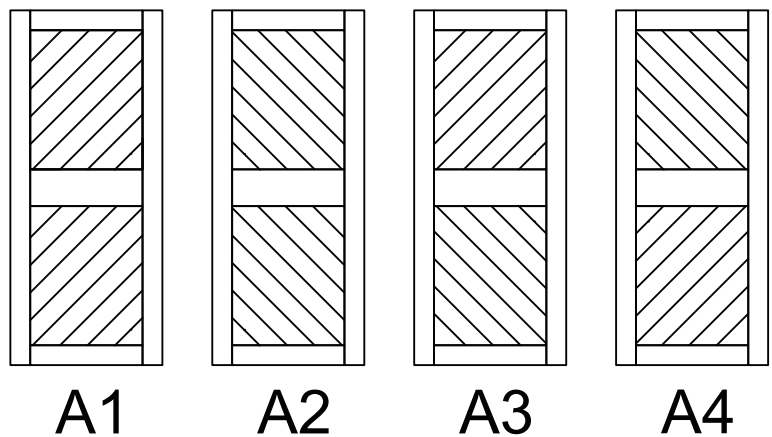
OPTIONAL



Trigger Clamp

Possible designs that could be achieved with the C panels that you purchased:

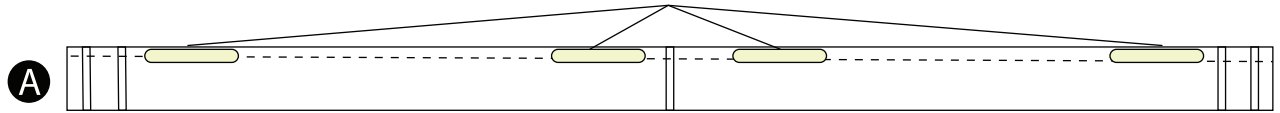
You can flip the panels and build a door to your liking! Please choose your design first before assembling your door to make sure you will end up with the one you like!



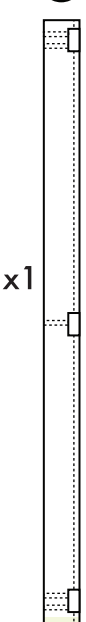
INSTRUCTIONS

Before assembly confirm two of your A Panels has white foam dowels installed in the grooves like the diagram below. There should be 4 foam dowels in each panel. If you happen to know they are missing please contact us and let us know. These foam dowels are important for the assembly because it helps to minimize the appearance of gaps in between the C panels.

WHITE FOAM DOWELS

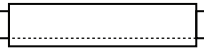
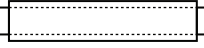

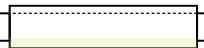

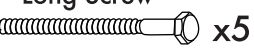


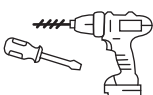
STEP 1




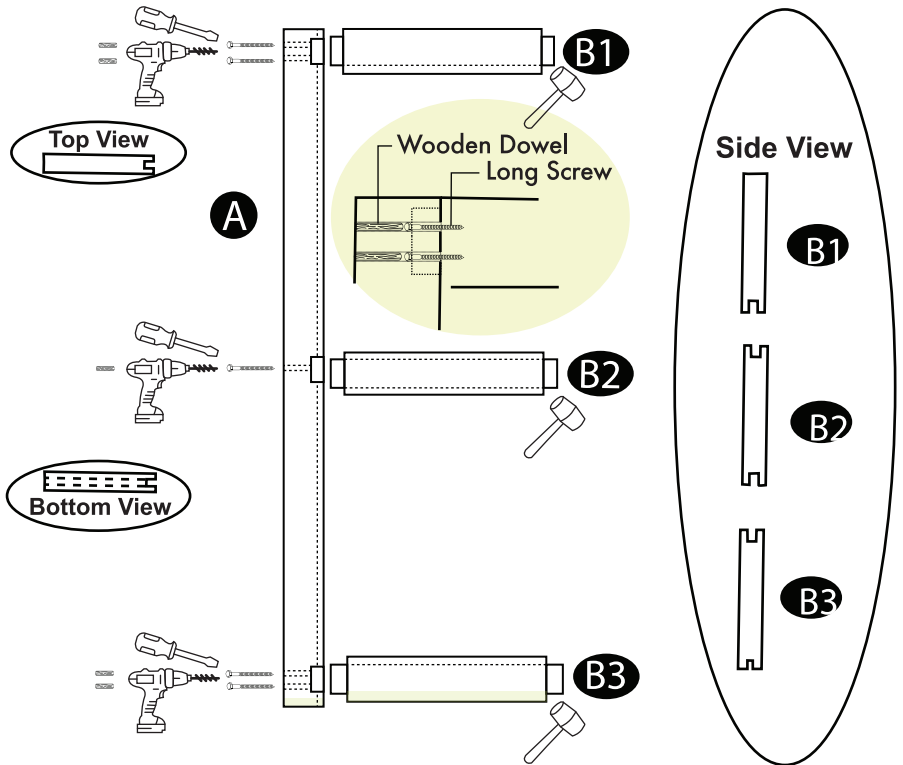
x1

Components Needed

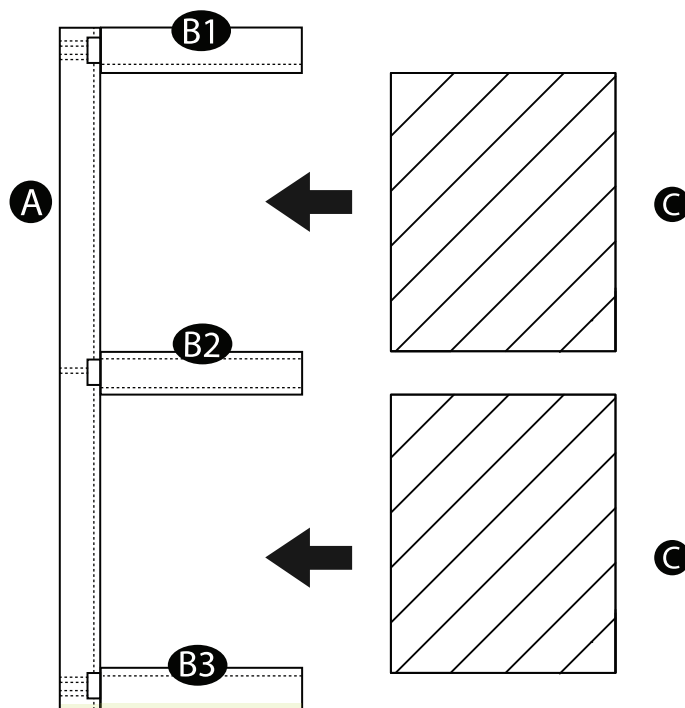
- B1**  x1
- (for 80") **B2**  x1
- (for 84") **B2**  x1
- B3**  x1
- E**  x5
- F**  x5

Drill or Phillip Screw Driver 

Rubber Mallet 



STEP 2



Carefully slide your 2 x C panels into the already-built structure.


NOTICE

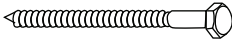
If the gap between **A** and **B** panels occurs, remove the foam dowels from one of the **A** panels as the expanding foam prevents a tight closure.

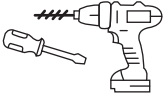
STEP 3


Components Needed

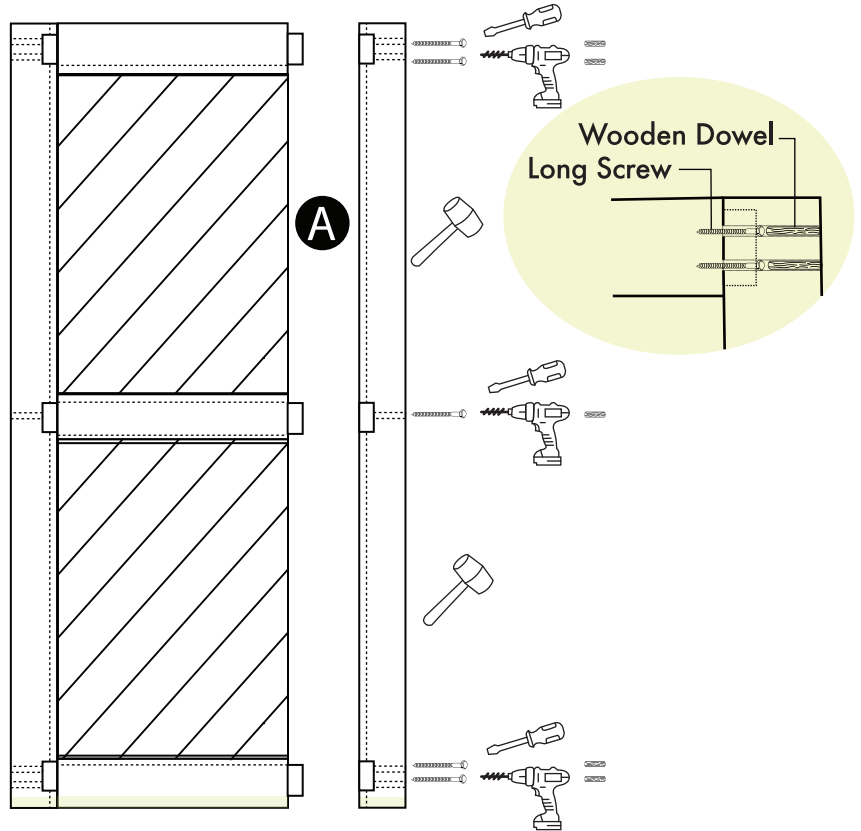
A x1

Wooden Dowel
E  x5


Long Screw
F  x5

Drill or Phillip Screw Driver


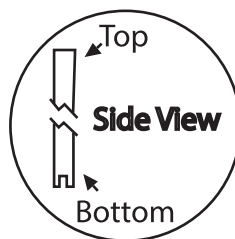
Rubber Mallet




OPTIONAL

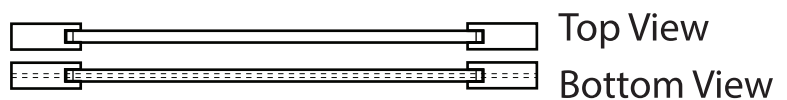


You can also use a trigger clamp to clamp your doors together before drilling in your final A panel. You might need this if you do not have a second person assisting you with holding the door together.



Determining the top and bottom side of your A panel:

There is a pre-routed groove at the bottom side of your A panel, so please assemble the A panel accordingly (like shown in picture).



ON YOUR OWN PREFERENCE

Cut down the dowels that is sticking out of the door after installing. Then sand off to smoothen the sides and the whole door to prepare for the finishes needed for your door.

YOUR INSTALLATION IS COMPLETE!



SLIDING HARDWARE / BARN DOORS

High Quality • Exquisite Design • Outstanding Services

ABOUT US

At Homacer, our goal is to provide the finest sliding barn door hardware products and services for our valued customers. We keep polishing our products to make their quality better, prices lower and installation easier. We make it possible for you to get everything you need from us when you think about installing sliding barn doors.

CONTACT US

Bulk Membership Program

To learn more about bulk / dropship order program you may contact us at

Office #: 1(770)-559-5849

Website: www.homacer.com/pages/membership-program

Email us: sales@homacer.com

CUSTOMER SERVICE TECH SUPPORT

Office #: 1(770) 864-5437

Website: www.homacer.com

Email us: support@homacer.us

LOCATION

1885 Beaver Ridge Cir, Ste A
Norcross, GA 30071

For additional hardware and accessories such as floor guide, soft close, and door handles, they can all be found on our website at www.homacer.com if you have any other inquiries you can always contact us through the phone or emails.