

# INSTALLATION GUIDE FOR ASH28858B0, ASH28858B1, ASH28858B2 and ASH28858B3

## SAFETY INFORMATION

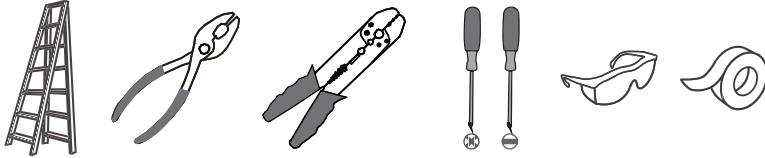
Released Date: 2021-10-15

Please read and understand this entire manual before attempting to assemble, install or operate the product.

### WARNING

- RISK OF ELECTRIC SHOCK - Before beginning installation, turn off electricity at the circuit breaker box or the main fuse box.
- **CAUTION**
- For your safety, read instructions completely before beginning installation.
- If in doubt about electrical installation, consult a licensed electrician.
- **TOOLS REQUIRED**

Ratings	120Vac, 60Hz	
	Model No.	Wattage
	ASH28858B0	15W
	ASH28858B1	15W
	ASH28858B2	15W
	ASH28858B3	15W

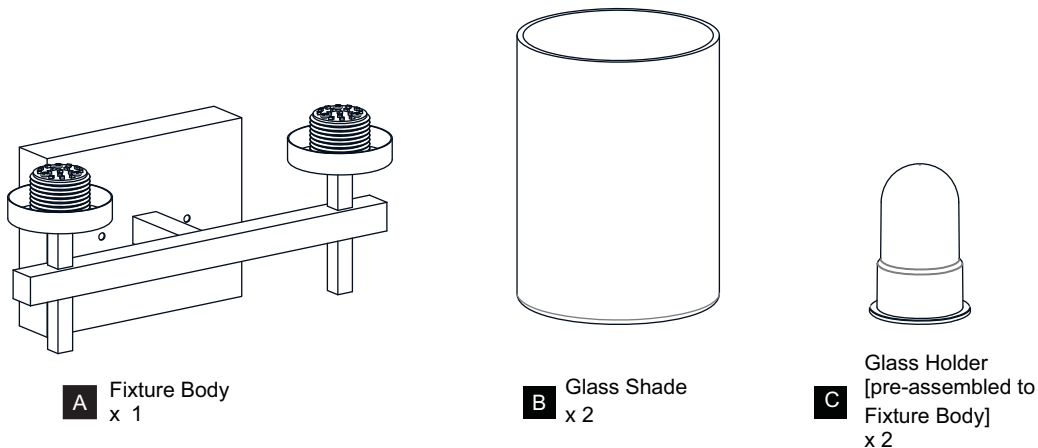


## CARE AND MAINTENANCE

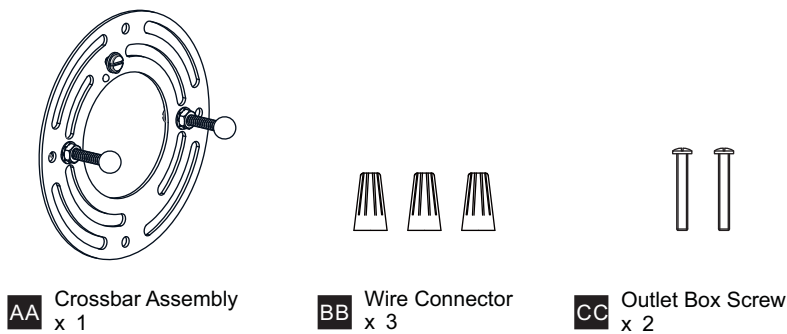
- Wipe clean using soft, dry cloth or static duster. Always avoid using harsh chemicals and abrasives to clean fixture as they may damage the finish.

If you need further assistance email [customer care@ashleyharbour.com](mailto:customer care@ashleyharbour.com).

## PACKAGE CONTENTS



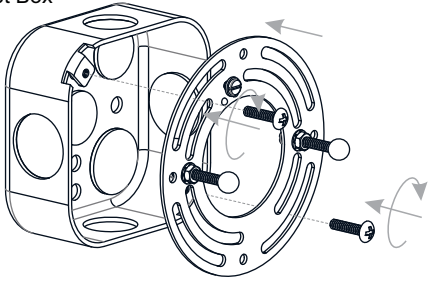
## MOUNTING HARDWARE



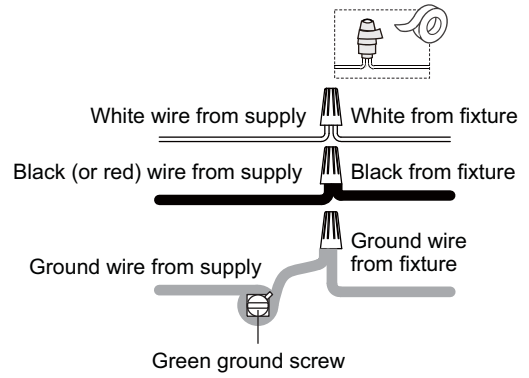
# INSTALLATION

## 1 Install Crossbar Assembly

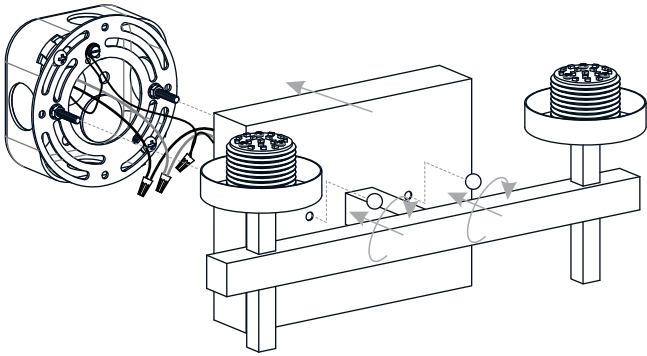
Outlet Box



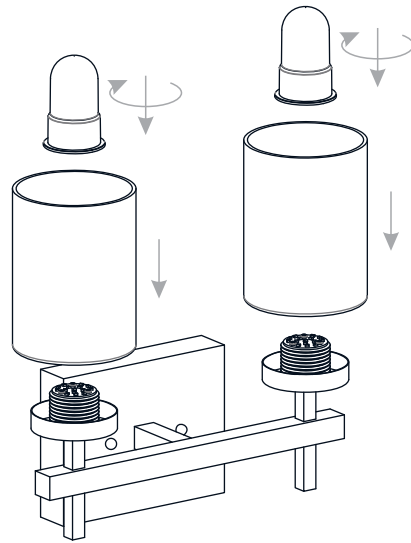
## 2 Wiring



## 3 Install Fixture Body



## 4 Install Glass Shades



**Your installation is now complete! Restore electricity and save this sheet for future reference.**