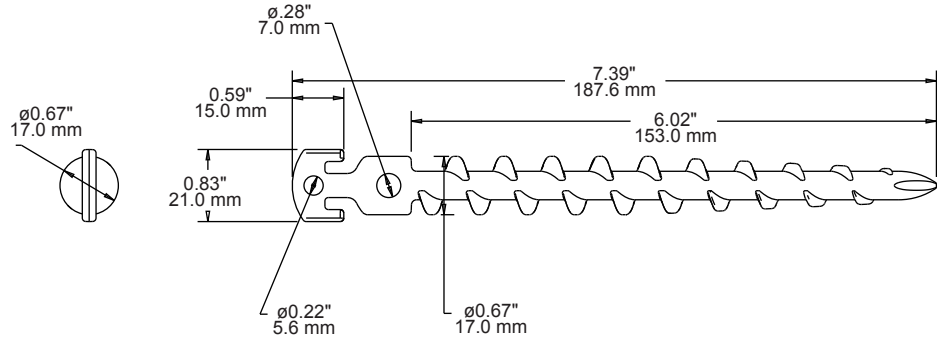


Plastic Anchors

Plastic Tent Anchor (4pk clamshell)



MATERIALS: Tent Anchor is fabricated from injection molded 20% glass filled nylon material.

INSTALLATION: Item is screwed into the ground with supplied handle.

*Prior to installation, contact local utilities for location of underground hazards to avoid. User assumes all installation risk.



OUTDOOR