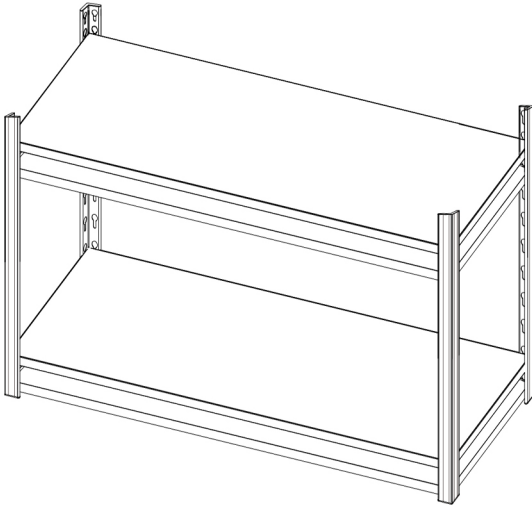


2-SHELF STORAGE RACK


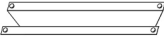







User Guide

2-Shelf Storage Rack

Contents:

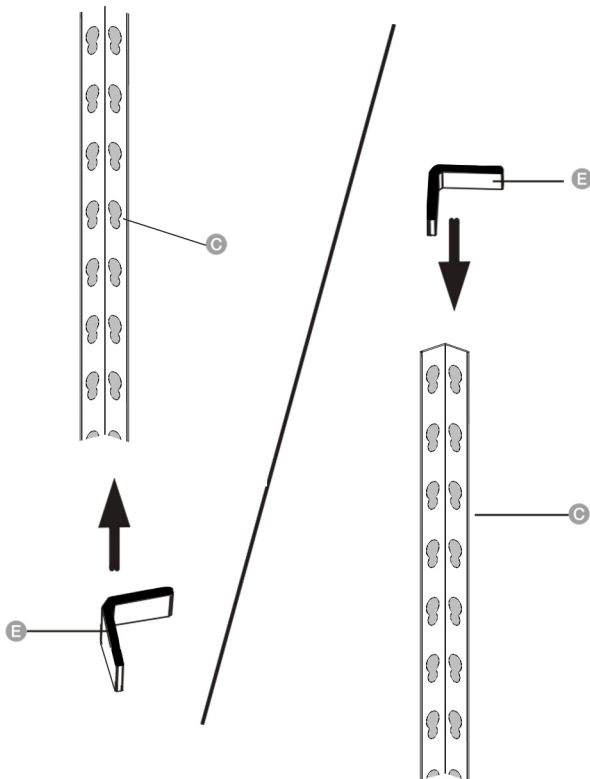
Before getting started, ensure the package contains the following components:

Part	Qty
A Beam 	4
B Brace 	4
C Post 	4
D Press board 	2
E Protective cover 	8
H Rubber mallet 	1
I Gloves 	1

Assembly

Step 1:

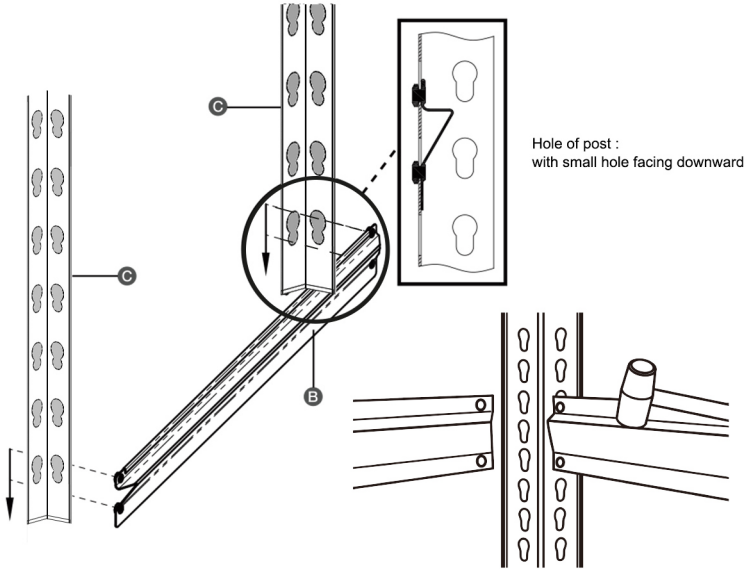
Insert the protective covers



- Note: Do not omit this step, which could protect your floor from scratches.

Assembly

Step 2: Setting Up the Brace

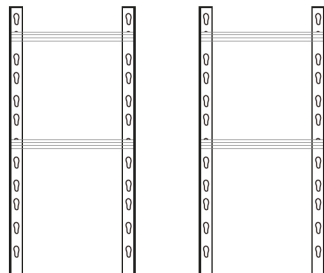


- Insert the rivet of brace B into the slot of post C, and gently tap it with a small hammer to secure the rivet in place.

PLEASE NOTE:

1. Ensure that the flat surface on brace B remains facing upwards.

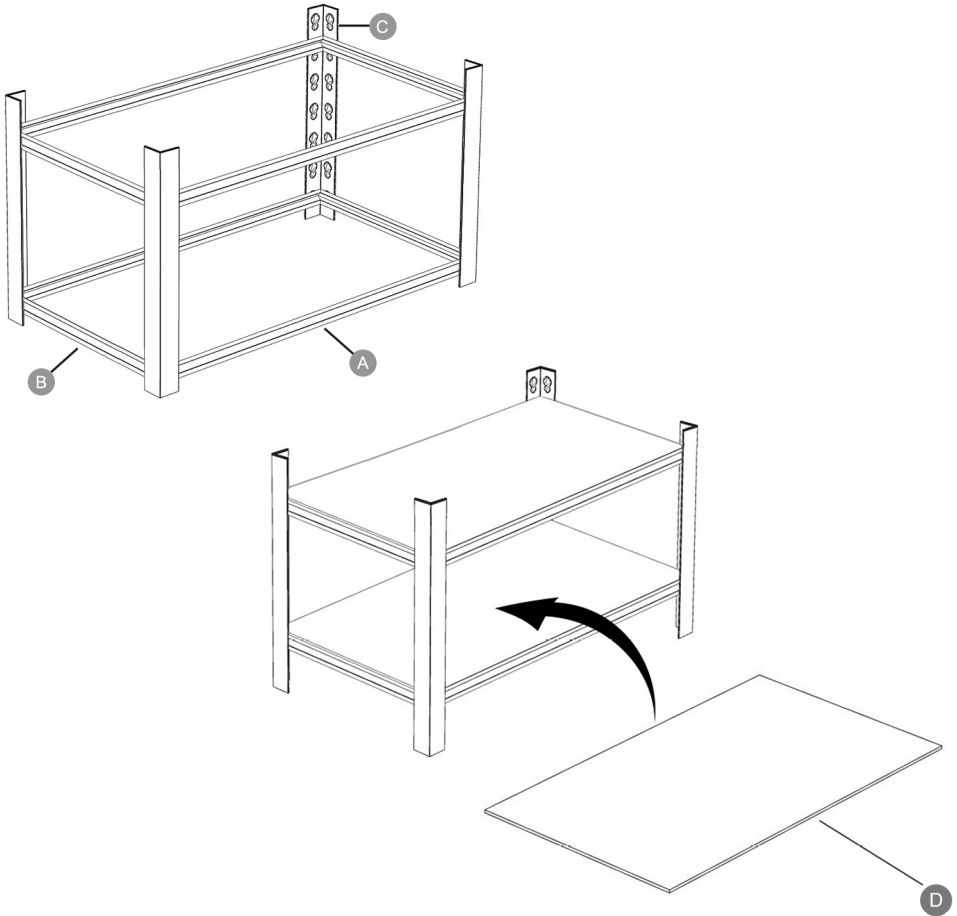
2. Make sure all the rivets are fully seated into the post slots.



Assembly

Step 3:

Install the beam A and then install the press boards.

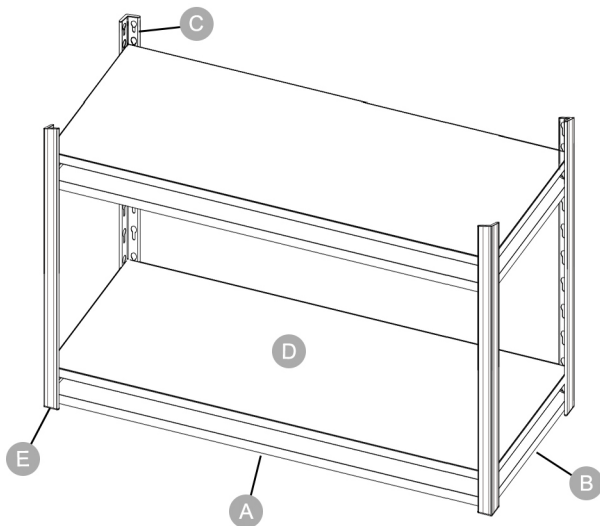


- Note: Each of the beams A and braces B on the same level should be at the same height.

Assembly

Step 4:

Installation is complete.



SAFETY AND COMPLIANCE

Please read and understand this entire manual before using the product.

CAUTION

- Be aware of dynamic loading! Sudden load movement may briefly create excess load causing product failure.
- Evenly distribute the weight on each shelf, and keep the heaviest loads on the bottom shelf.
- Use only on flat, level and hard surface capable of supporting the shelving and any items placed on it. Remember to only use the shelf on level ground with evenly distributed weight.
- Do not store flammable liquids in the unit unless they are secured in an approved container.
- Keep bystanders out of the area during assembly.
- This product is not a toy. Do not allow children to play with, on or near the unit.

WARNING



Do not stand on, step on, or alter this unit for anything outside the designed function of storage.



Use care when handling and assembling metal parts.



The metal may have sharp edges or corners. The use of protective gloves is recommended.



Always remember to use proper lifting techniques when moving the boxed or assembled unit.




PREPARATION

- Before beginning assembly of product, make sure all parts are present. Compare parts with package contents list. If any part is missing or damaged, do not attempt to assemble the product. It is recommended that this product be assembled on a clean, soft surface, such as a piece of cardboard. The assembling task can be performed by one person but availability of a second person will make the task simpler.

TROUBLESHOOTING

PROBLEM	POSSIBLE CAUSE	PROBLEM
Shelf is not level	<ul style="list-style-type: none">• Beam(s) or brace(s) used for the same level are not at the same height or they are assembled upside down.• Rivets on the beam(s) or brace(s) are not fully seated into the post slots.• The ground is uneven or too soft.	<ul style="list-style-type: none">• Re-assemble beam(s) or brace(s).• Fully seat the rivets.• Move the shelf to a flat, level and hard surface.

Hello there!
We're excited to offer you seamless service.

You can contact us through the following methods on the right to access the following :	 302-498-1264
	 olffurniture@gmail.com
	 simplyscan our Whatsapp QR code

- 1 Comprehensive installation videos
- 2 Activate warranty options
- 3 Expert post-sales support
- 4 Exclusive discounts
- 5 And more additional services



Our goal is to enhance your shopping experience. We look forward to hearing from you. Thank you!