



**B4**

**Belfast Series**  
Undermount Vanity Sink

## Features

- Classic Rectangular Design
- Overflow Drain w/ Chrome Insert
- Vitreous China
- No Faucet Holes
- Requires Wall or Counter-Mount Faucet
- Limited Lifetime Warranty
- Available in White or Almond color

## Compatible Accessories

MIB-U Mounting and Installation Brackets  
TB4 Sink Cut-Out Template  
Installation Instructions

## Codes/Standards

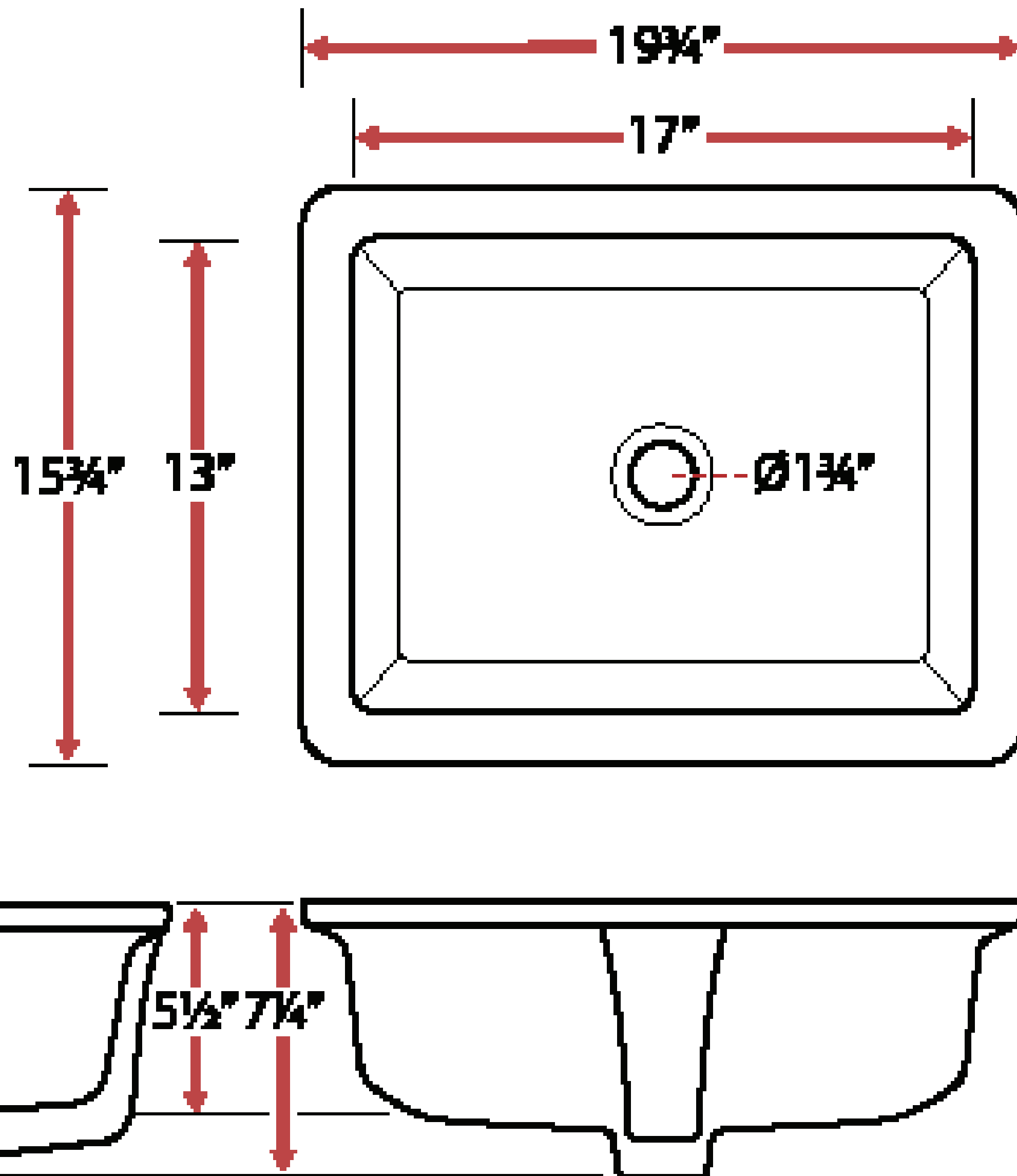
ASME A112.19.3/CSA B45.4





**B4**

**Belfast Series**  
Undermount Vanity Sink



## Technical Information

- Sink Collection: **Belfast Series**
- Sink Model Number: **B4**
- Sink Length (inches): **19 3/4**
- Sink Width (inches): **15 3/4**
- Sink Basin Depth (inches): **5 1/2**
- Drain Opening (inches): **1 3/4**
- Drain Position: **Center**
- Bowl Configuration: **Single**
- Installation Type: **Undermount**
- Minimum Sink Base Cabinet Width Required: **21"**

*(Cabinet May Require Additional Modifications at Minimum Size. Consult an Installer for Confirmation)*

1-(503) 455-8336

Sink specifications may change without notice. Please visit [www.ticorsinks.com](http://www.ticorsinks.com) for the most current information. Updated 04/5/2019