

Ceiling Fan

Installation Instruction



SAFETY INFORMATION

Please read all safety information and instructions before installing the ceiling fan and save this manual for future reference.

SAFETY INFORMATION	01
PRE-INSTALLATION	02
INSTALLATION INSTRUCTION	04
OPERATION INSTRUCTION	09
SPECIFICATIONS	10
TROUBLESHOOTING	10



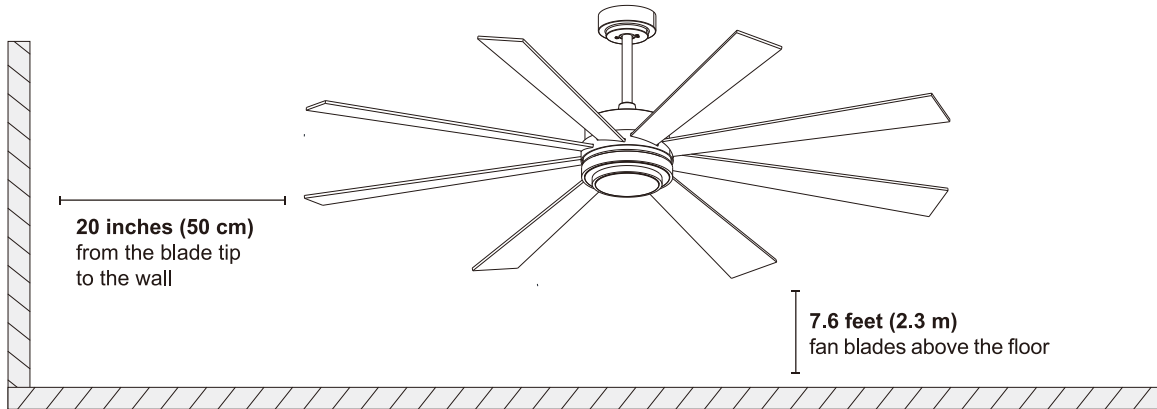
SAFETY INFORMATION



WARNING

- Before connecting the power supply, make sure that the power supply used matches the specifications of the ceiling fan.
- All wiring must comply with national and local electrical codes ANSI/NFPA70. If you are not familiar with wiring, please use a qualified electrician.
- To reduce the risk of fire or electric shock, turn off the power to the fuse box or circuit breaker before installing the fan.
- To reduce the risk of personal injury, attach the fan directly to the building's support structure and ensure that it can accept at least 35 pounds (15.9 kg).
- Make sure that the installation location allows the fan blades to rotate without obstacles.

Installation Location



WARNING

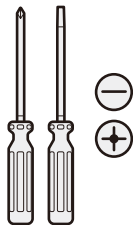
- Do not install the fan with wet hands.
- Do not insert foreign objects between the rotating fan blades.
- Do not bend the fan blades when installing or cleaning the fan.
- Do not disassemble or modify this product or use non-original parts without permission.
- Keep children away from your working area.
- Properly dispose of the fan's packaging material.
- Make sure the ceiling fan is firmly secure to the ceiling. Double check all connections before you restore power.
- Turn off the fan and wait for the blades to stop completely before performing any maintenance or cleaning.

PRE-INSTALLATION

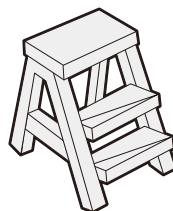
Tools Required (Not Included)



Power Drill



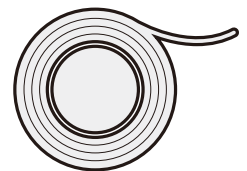
Screwdriver



Step Ladder



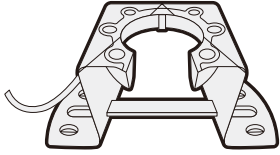
Wire Stripper



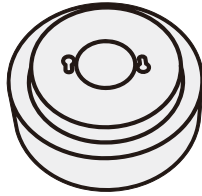
Electrical Tape



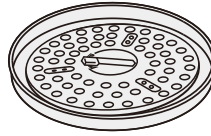
Parts List



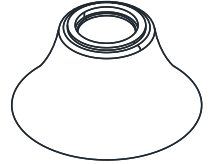
Mounting Bracket X 1



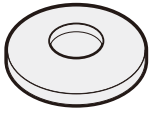
Canopy X 1



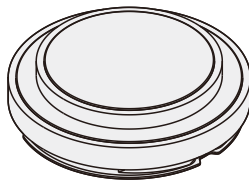
LED Light Panel X 1



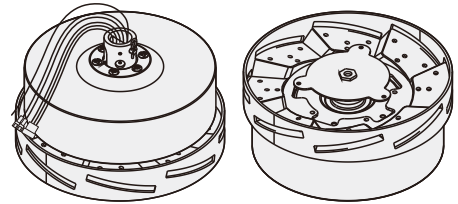
Coupling Cover X 1



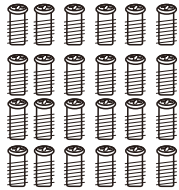
Canopy Cover X 1



Light Cover X 1



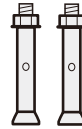
Motor X 1



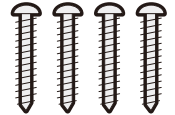
Blade Screw X 24



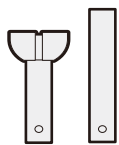
Remote Bracket Screw X 2



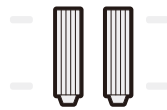
Expansion Bolt X 2



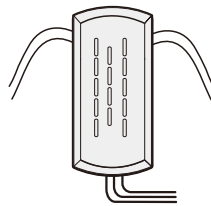
Self-tapping Screw X 4



Downrod X 2



Aircraft Cap X 2



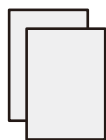
Receiver X 1



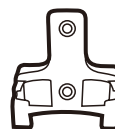
Remote Control X 1



Fan Blade X 8



Balance Kit X 2

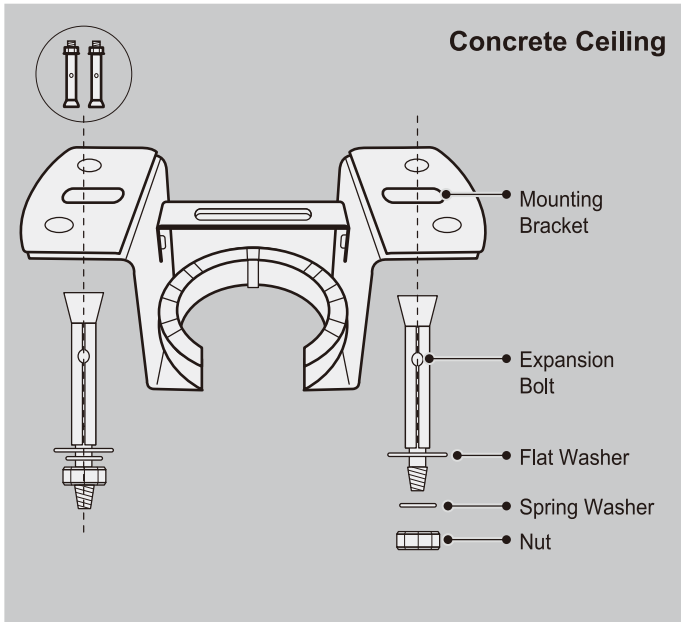


Remote Control Bracket X 1

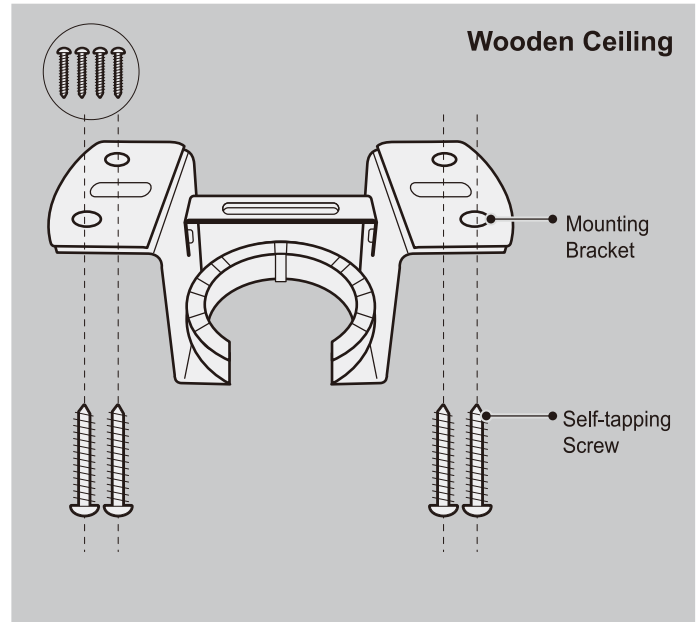


INSTALLATION INSTRUCTION

Step 1: Mounting Bracket Installation

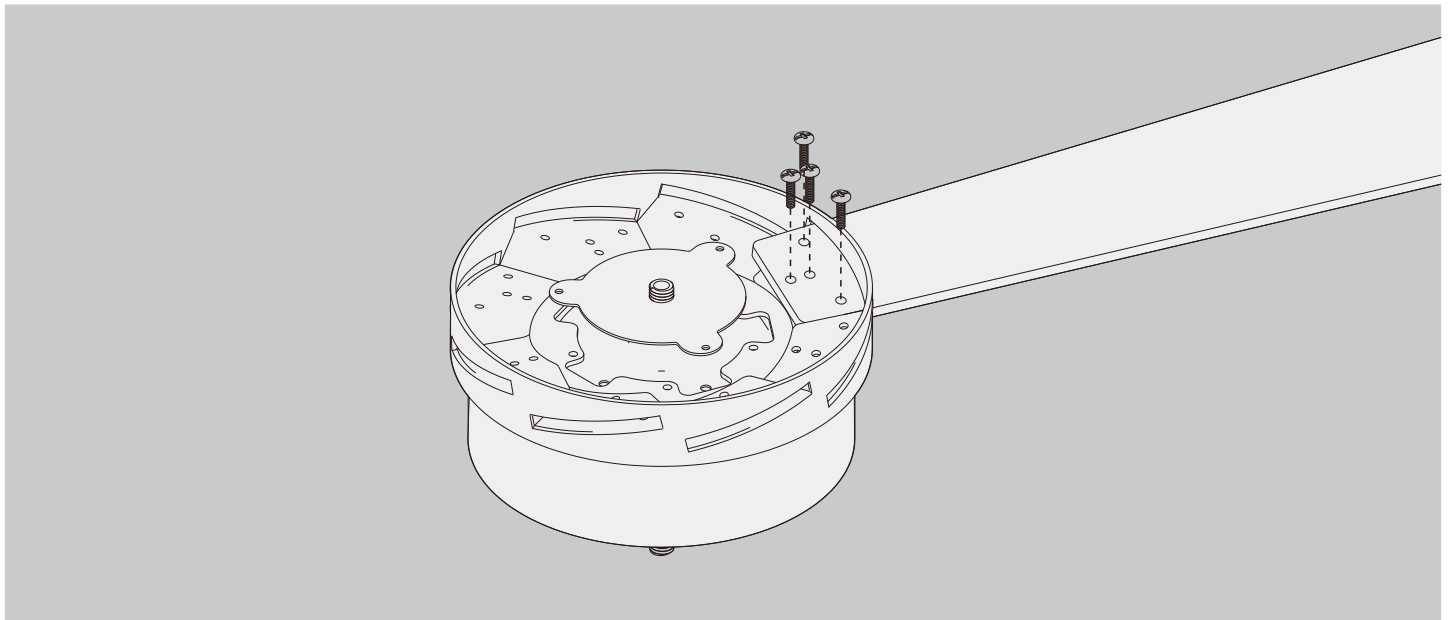


1. Drill holes with electric drill ($\varnothing 8$ mm).
2. Use expansion screws to fix the mounting bracket to the ceiling.



Fasten the mounting bracket to the ceiling with self-tapping screws.

Step 2: Fan Blade Installation



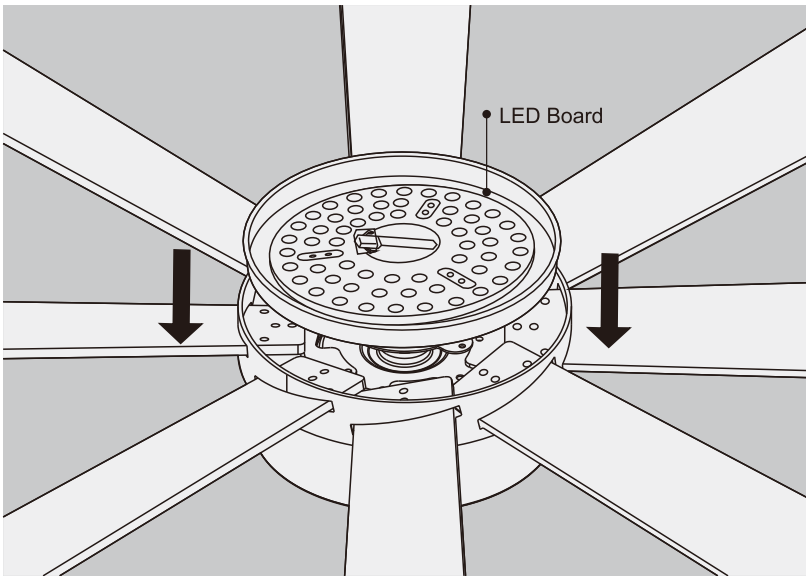
Align the blade fork with screw holes in front of the fan blades and tighten the screws.

Note:

- Install the fan fork label face up.
- Fan blades need to be aligned with the “center” of the screw hole set.

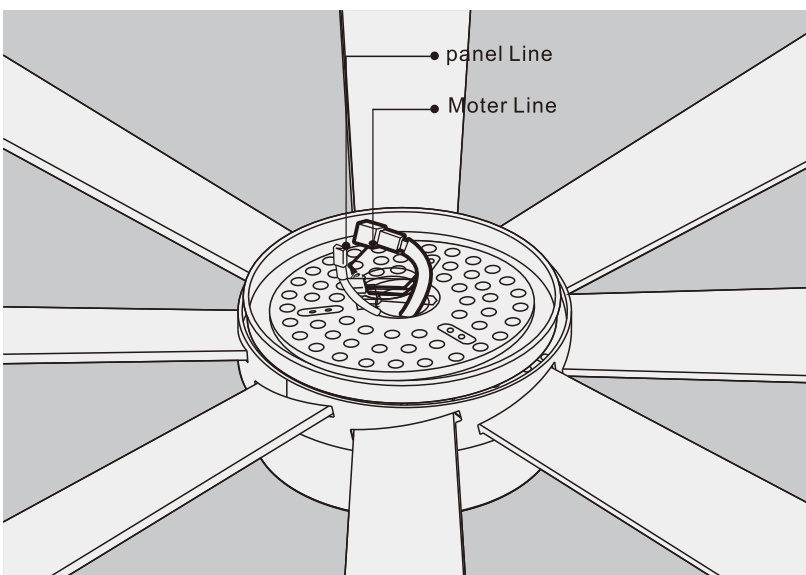
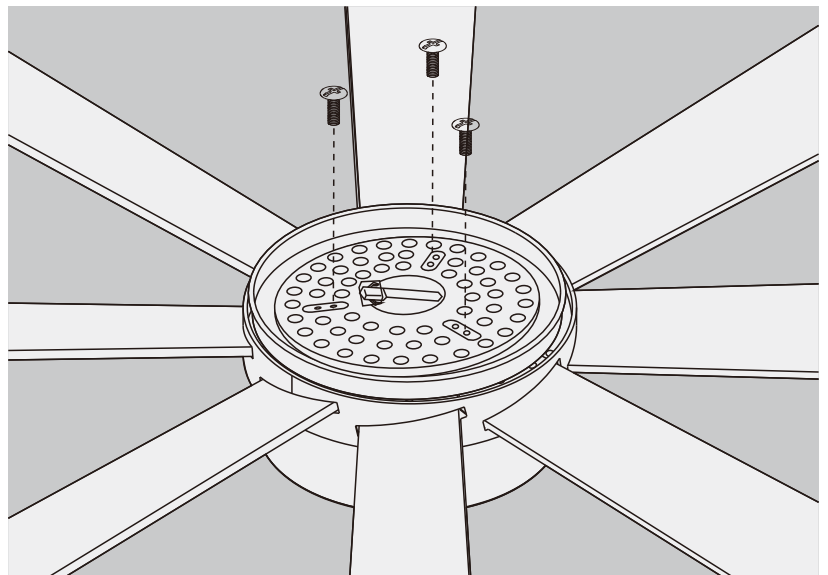


Step 3: Installation of LED Board



- 1 Thread the motor line through the LED board, then align the LED board with the triangular cover on the motor and put it on.

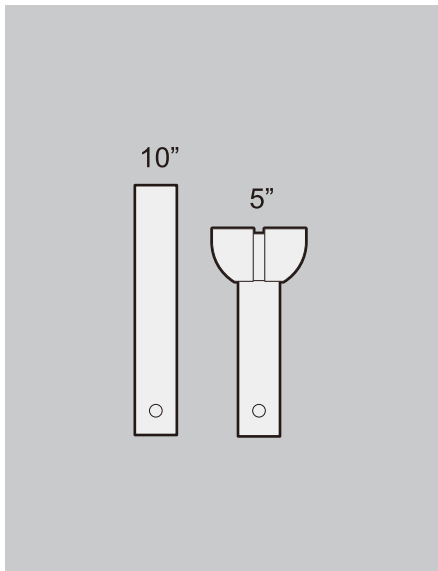
- 2 Install the screws on the triangular cover into the corresponding holes.



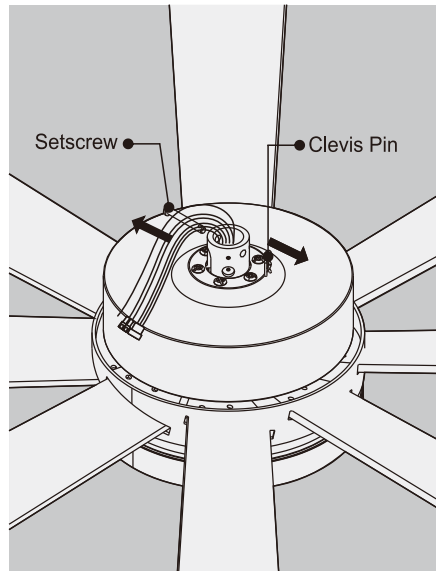
- 3 Connect the motor line and the lamp panel line.



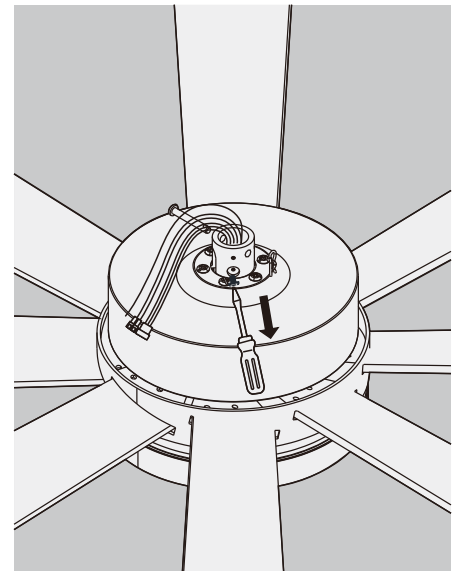
Step 4: Downrod Installation



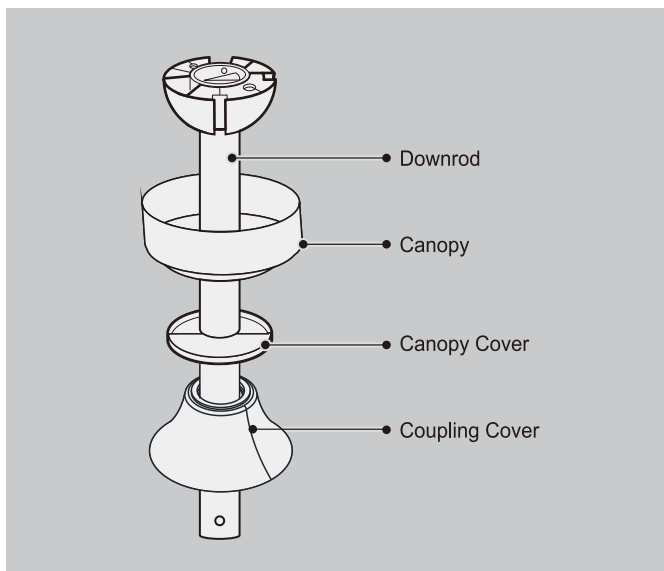
- 1 Select a suitable downrod. (2 lengths are available 5"/10")



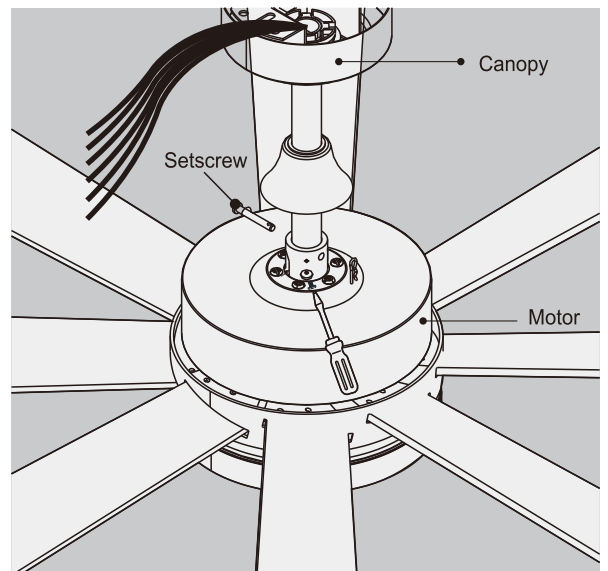
- 2 Take out clevis pin on the motor.



- 3 Loosen the screws on the motor, and do not take them out completely.



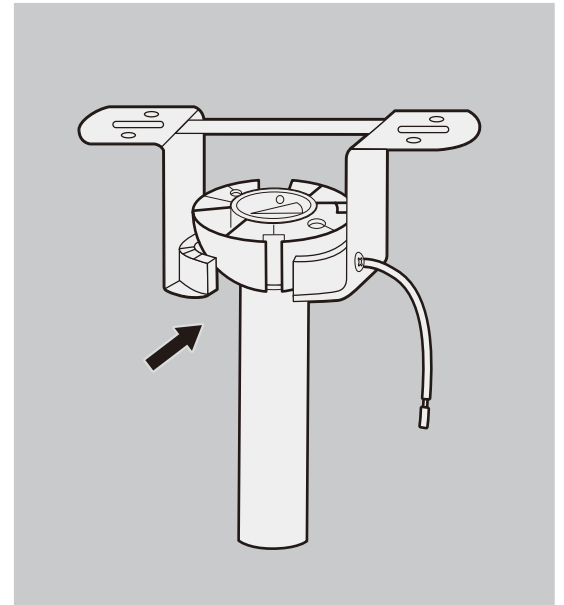
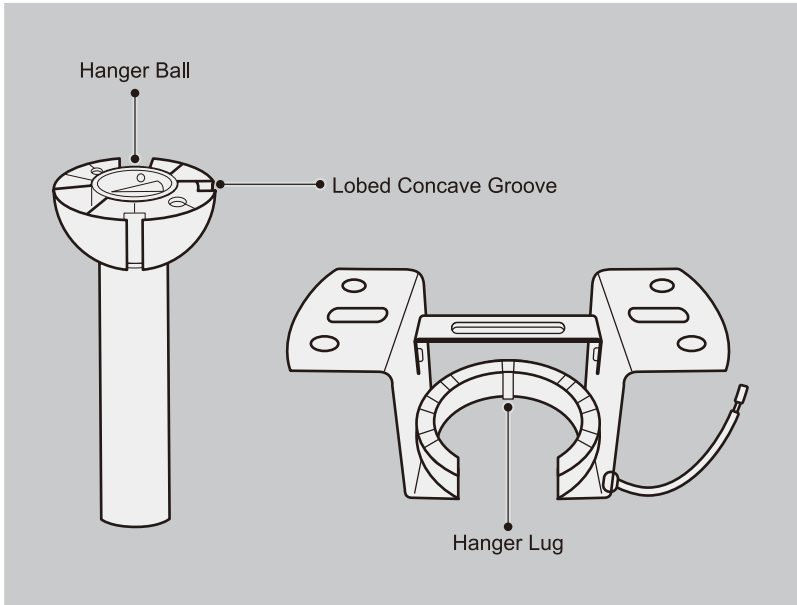
- 4 Assemble the canopy, canopy cover and coupling cover to the downrod in turn.



- 5 Thread the motor wire through the lower pull rod, lock the fixing screw with the clevis pin, and tighten the motor screw.



Step 5: Installation of the Assembled Fan

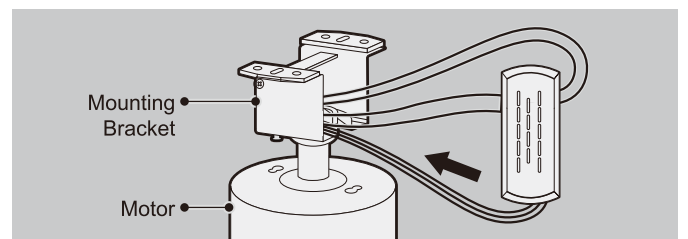
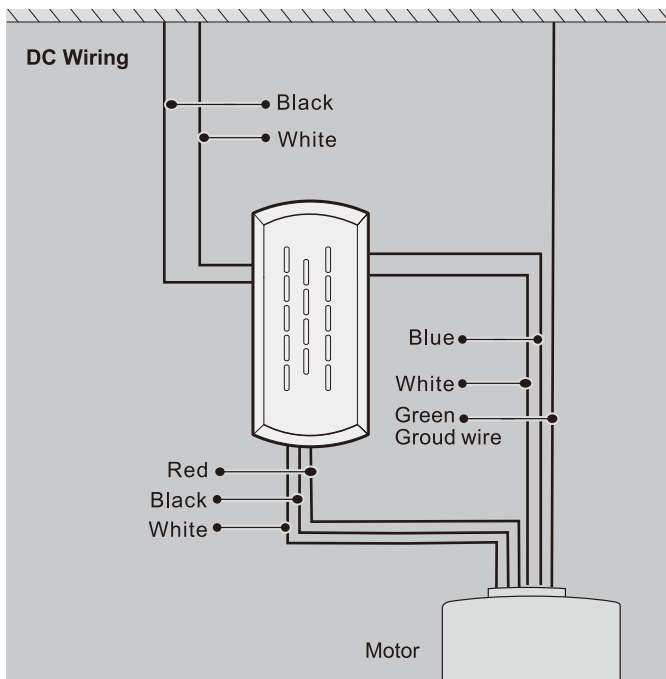


1 Lift the assembled fan onto the mounting bracket.

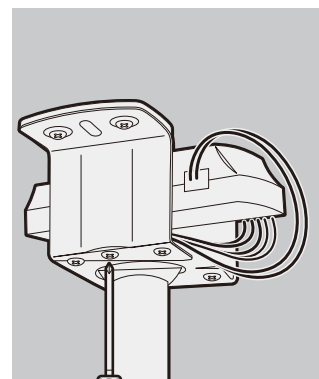
2 Ensure the concave groove of the hanger ball is positioned on the hanger lug of the mounting bracket.

Step 6: Wiring Instruction

⚠ Shut off the power to the fuse box or circuit breaker before wiring.



2 Put the receiver into the mounting bracket.



3 Cover the receiver and power cord and tighten the screws.



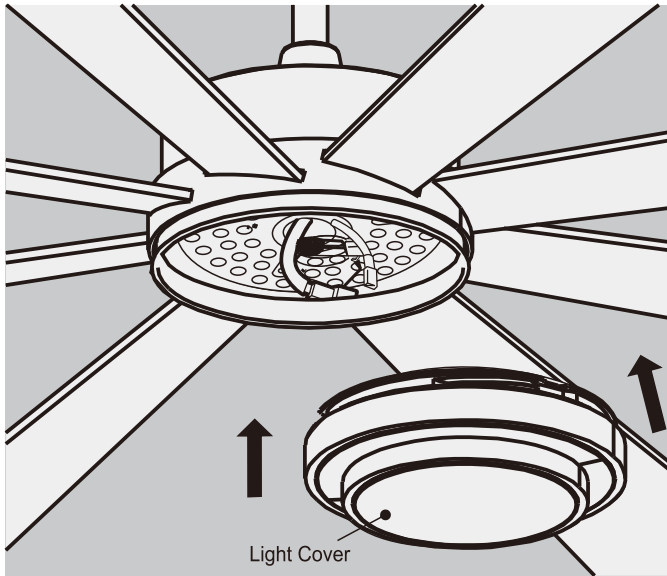
4 Decorative cover on, rotate, tighten.

Note:
Connect wires color to color, plug to plug.

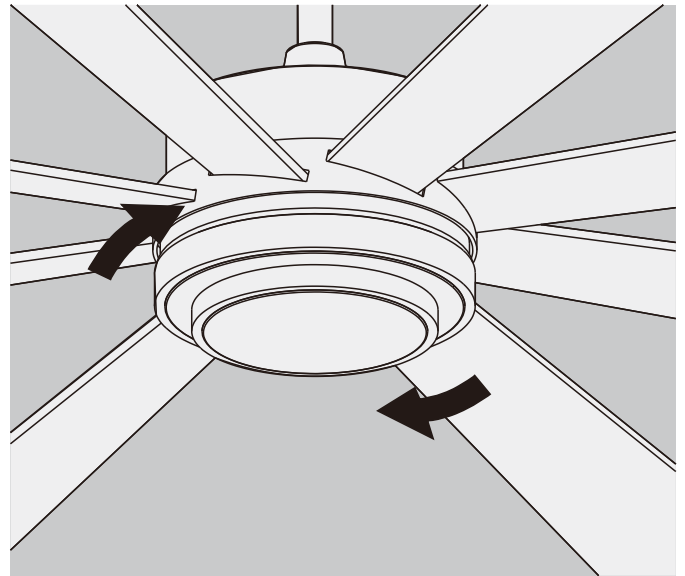




Step 7: Install the Lampshade



1 Put the light cover to the LED board.



2 Spin forward to tighten the light cover.

Step 8: Change Downrod(OPT)

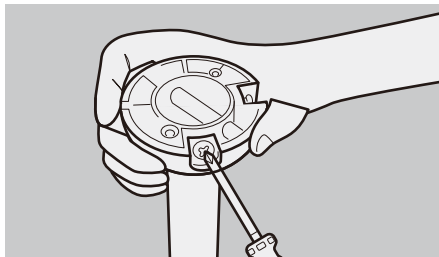
How to choose different lengths of downrod

1. The ceiling of the house is 100 inches from the ground, suitable for installing a 5-inch downrod.
2. The ceiling distance of the house is 110 inches, which is suitable for installing a 10-inch downrod.
3. The ceiling of the house is 120 inches from the ground, which is suitable for installing a 14-inch downrod.
4. If the space requires a longer boom, you will need to use a longer extension wire, the wire thickness should be selected close to the motor wire thickness, too thick or too thin (changing the resistance required by the receiver), the motor may not work.

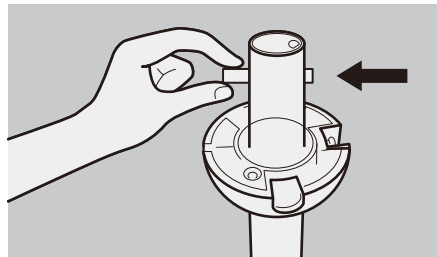
If you need to change different length downrod, please follow these steps:

NOTICE

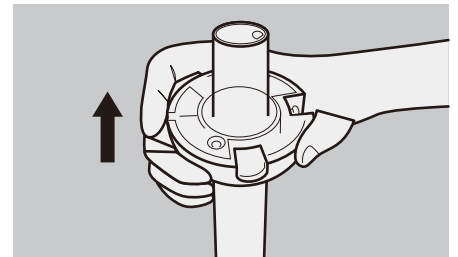
If the house suitable for installing a 1.5m(590 inches), it should a new controller, Please contact us for customization



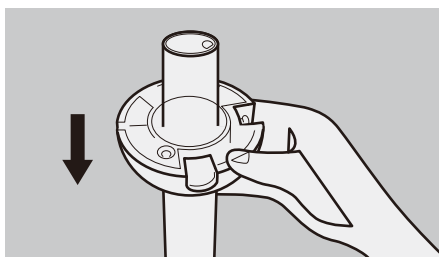
1 Loosen the screws on the hanging ball.



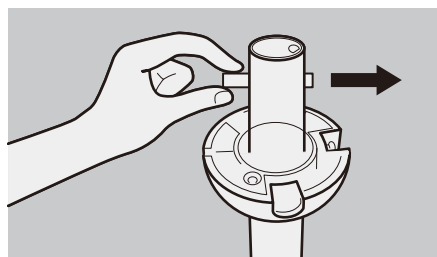
2 Remove the metal bar.



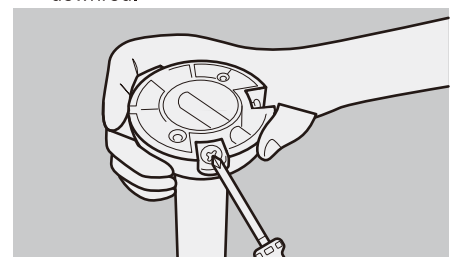
3 Take off the hanging ball from the original downrod.



4 Install the hanging ball to an appropriate downrod.



5 Insert the metal bar.

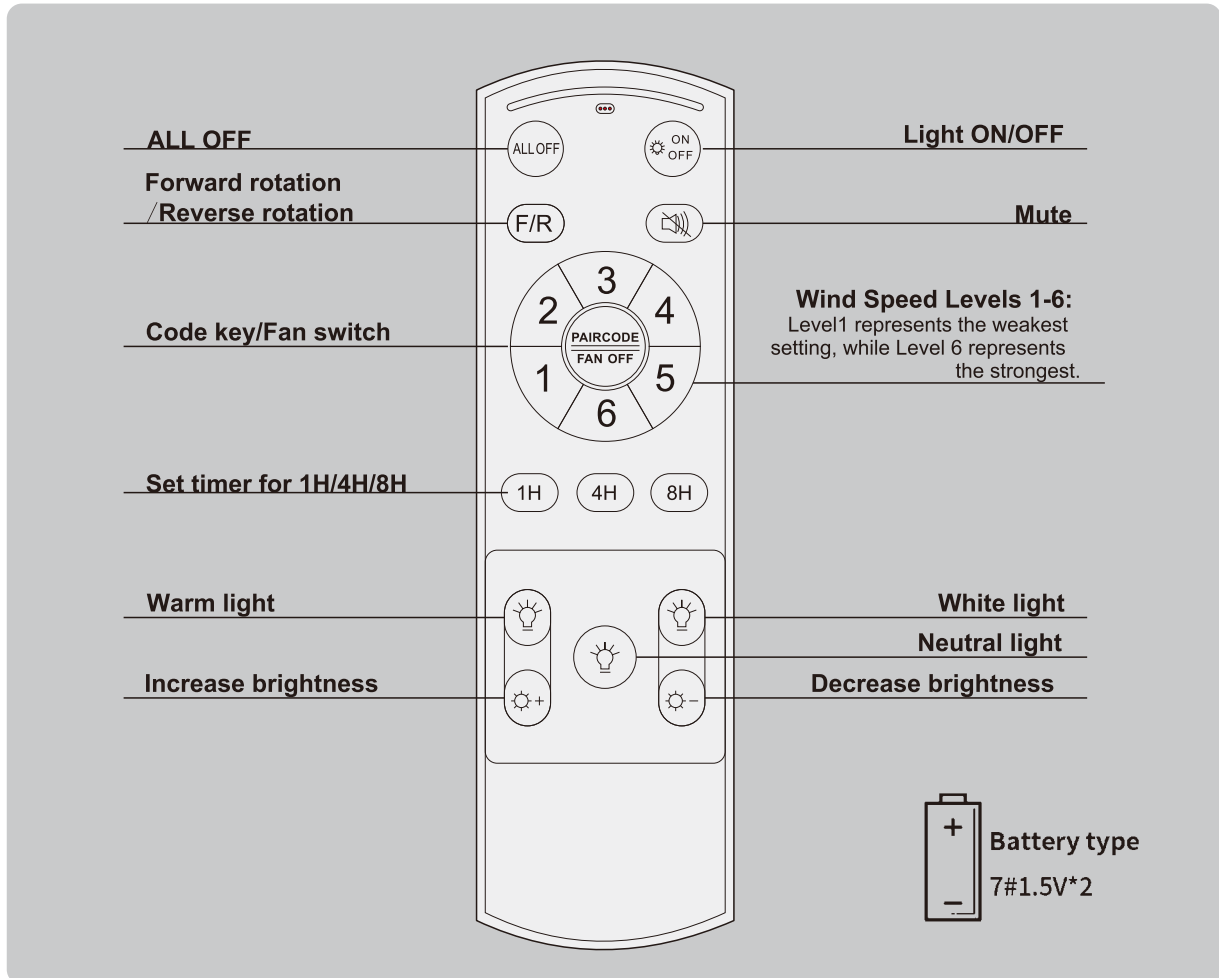


6 Tighten the screws.



Remote control

Button usage and code matching

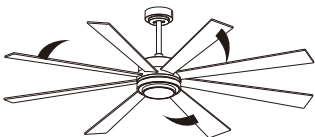


Description of code matching method

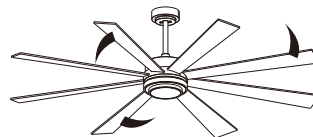
After powering on the luminaire, press and hold the "PAIRCODE" button. the buzzer will emit a long beep once pairing is successful.
If there is no successful code, turn off the power and wait one minute to repeat the operation.

Note: Sensing Distance: 33 ft - 49 ft (10 m - 15 m) Direction of the fan / Reverse Switch

Reversible Function



Summer (Forward):
A downward airflow creates a cooling effect.



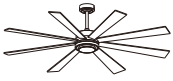
Winter (Reverse):
An upward airflow increases the indoor temperature.

PS: If you want to change the fan's rotation direction, please press the button while the fan is running.

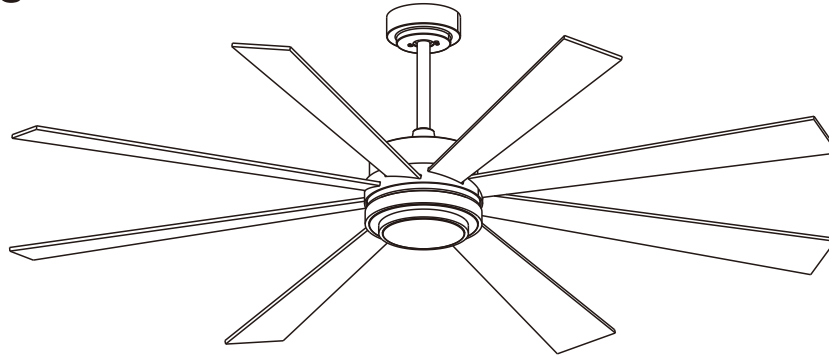
Timing Control

- 1H: The fan will automatically shut off after 1 hour.
- 2H: The fan will automatically shut off after 4 hours.
- 4h: The fan will automatically shut off after 8 hours.

Close the Timing Control: Press the button "FAN ON/OFF"



SPECIFICATIONS



Product Name	Ceiling Fan	Gross Weight	5.0KG-6.0KG
Rated Voltage	110V	Lampshade Size	φ220mm
Motor Power	50W	Motor Spec	Φ153*20mm
control method	Remote Control	Overall height	19" (with 5" rod)
Lamp configuration	24 W bi-color LED	Fan blade	8 Splint Fan Blades

TROUBLESHOOTING

If there is a problem with the fan during use, please check the following tips for solutions. If the problem still cannot be solved, please contact our after-sales team.

The Fan Does Not Respond to the Remote Control.

- Check that all wire connections are correct and secure.
- Verify that the power is turned on and reaching the receiver.
- Verify that the batteries of the remote control are installed with the correct polarity, making sure to install the + (positive) end of the batteries on the solid end and the - (negative) end on the spring.

The Fan Makes a Humming Noise.

- Make sure the controls you use are supplied with your fan.
- Make sure all accessories are securely fastened. Loose parts often cause a vibrating noise or buzzing sound.
- Disassemble the fan and reinstalling it can sometimes remedy this resonant vibrating noise.

The Fan Makes a Repetitive Ticking Noise.

- Check for obstructions in the rotor path.
- Make sure mounting hardware at the ceiling is firmly fastened.
- Make sure all other hardware and blade attachments are tight.
- Give the fan a "Break in Period" of a few hours to a few days, then repeat the steps above.

The Fan Wobbles.

- Make sure the mounting plate and hardware at the ceiling are firmly fastened.
- Make sure all screw fittings on the fan are tight.
- If necessary, use the self-tapping screws provided to further secure the bracket to the joist.

CONTACT INFORMATION

We want to hear your voice! Feel free to touch base if you encounter any issue when using our product(s) or want to know more about our brand.

We will be more than happy to provide top-notch pre-sales & after-sales service 24/7.