

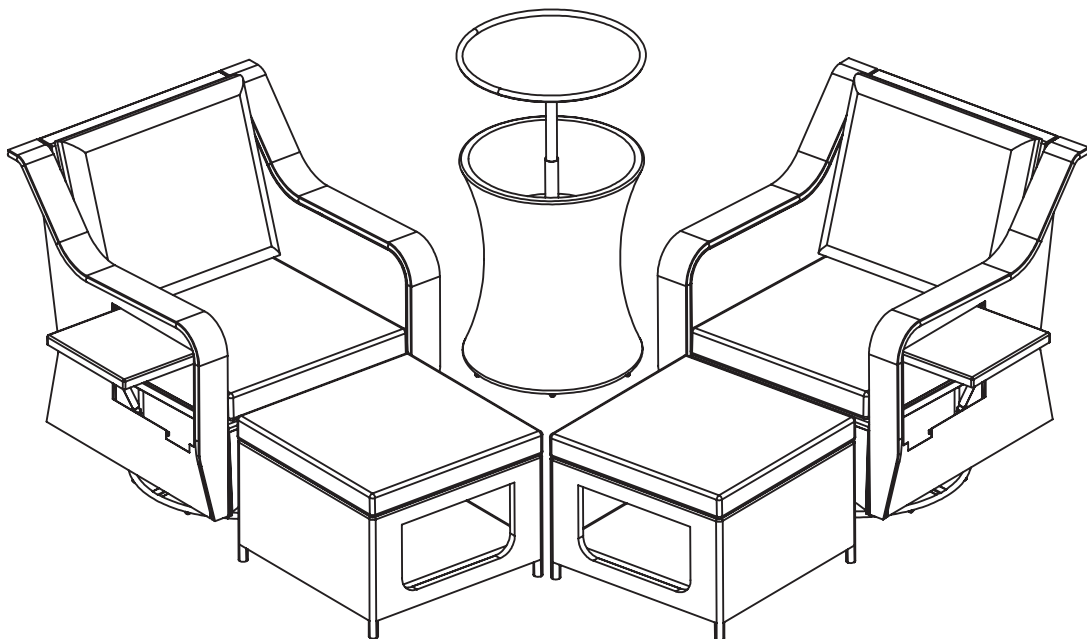
ASSEMBLY INSTRUCTION

SWIVEL ROCKING CHAIR SET

WF324110

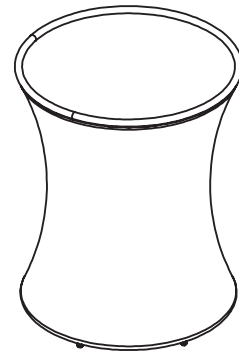
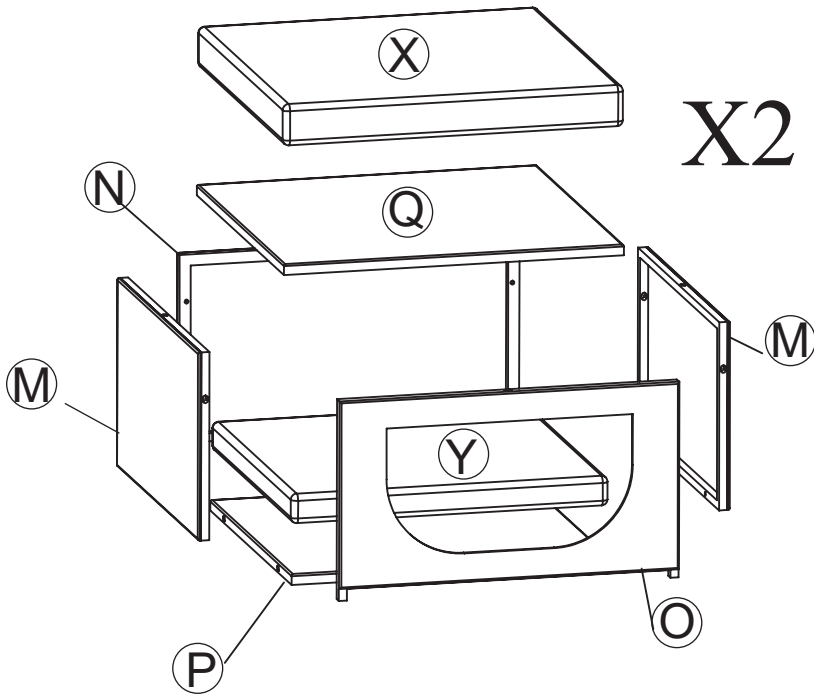
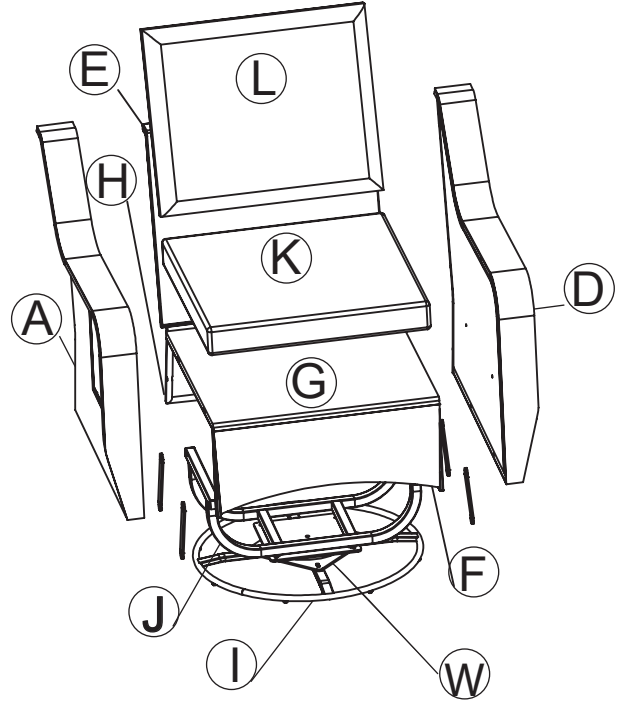
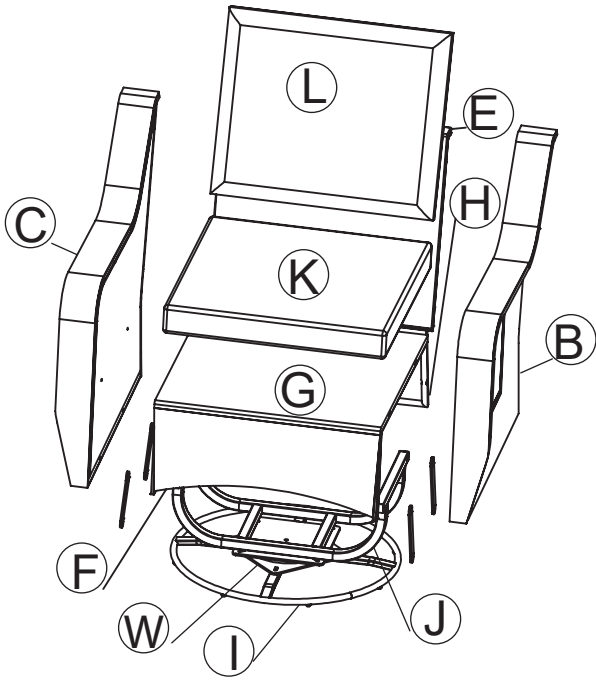
WF324111

WF324112



Notice:

- 1. 50% Tighten before fixing all screws, Allen wrench is recommended instead of an electric drill.**
- 2. Place the item on a flat ground to adjust and make sure it remains stable.**
- 3. Tighten up all screws with tools gradually.**
- 4. If the screws are not aligned with holes during assembly, please loosen all the other screws to 50% and continue the assembly process.**
- 5. If the item is not stable, please loosen all the screws, adjust it on a flat ground and tighten up all screws again.**
- 6. Note: If one or some screws are fully tightened during assembly, chances are the others will not be aligned with holes. In addition, all the holes are designed to be relatively larger to provide more space for the adjustment of the screws.**



BOX 1/3: WF324110



Ax1



Bx1



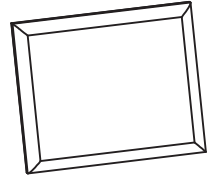
Cx1



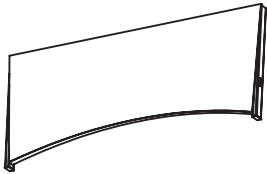
Dx1



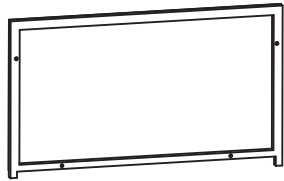
Hx2



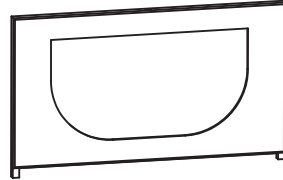
Lx1



Fx2



Nx2

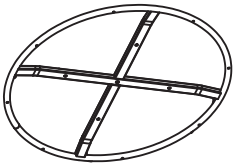


Ox2

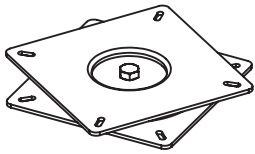


Mx2

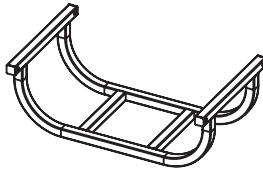
BOX 2/3: WF324111



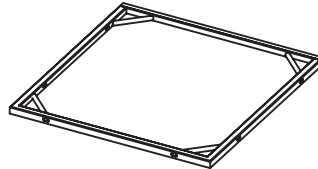
lx2



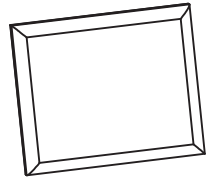
Wx2



Jx2



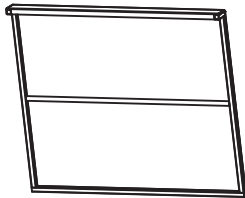
Gx2



Lx1



Px2



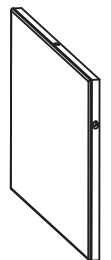
Ex2



Kx2



Xx2

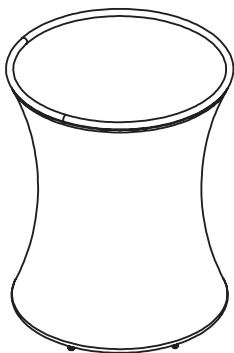


Mx2



Qx2

BOX 3/3: WF324112



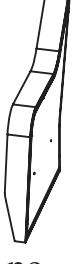

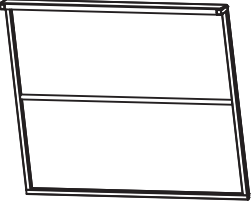
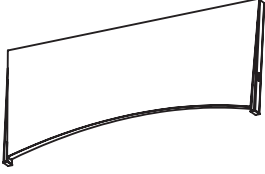
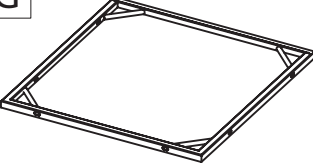

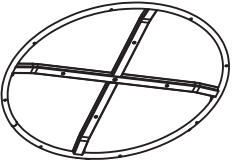
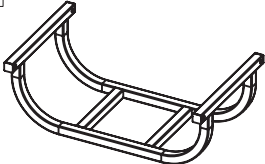

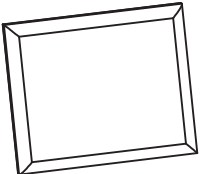

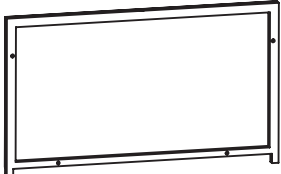
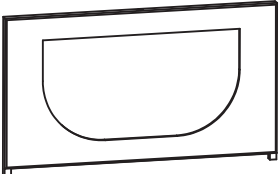




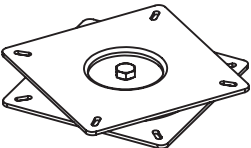


Yx2




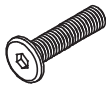

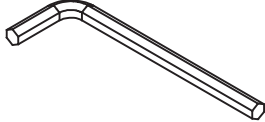





Hardware

Part list & Hardware

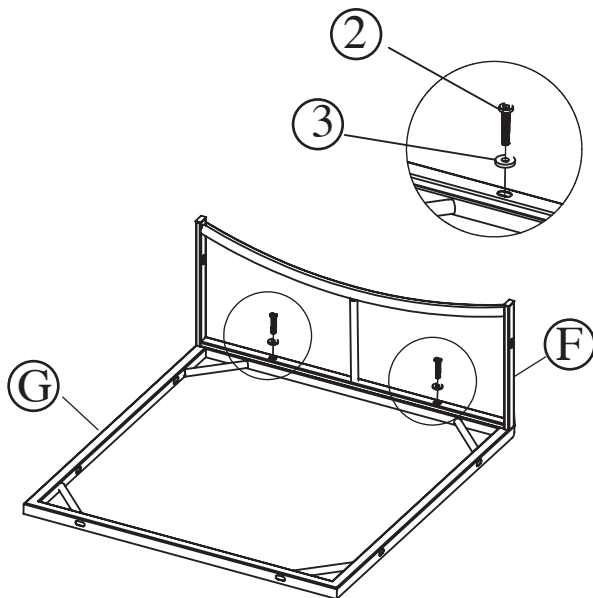
<p>A</p>  <p>1 pc</p>	<p>B</p>  <p>1 pc</p>	<p>C</p>  <p>1 pc</p>	<p>D</p>  <p>1 pc</p>
<p>E</p>  <p>2 pcs</p>	<p>F</p>  <p>2 pcs</p>	<p>G</p>  <p>2 pcs</p>	<p>H</p>  <p>2 pcs</p>
<p>I</p>  <p>2 pcs</p>	<p>J</p>  <p>2 pcs</p>	<p>K</p>  <p>2 pcs</p>	<p>L</p>  <p>2 pcs</p>
<p>M</p>  <p>4 pcs</p>	<p>N</p>  <p>2 pcs</p>	<p>O</p>  <p>2 pcs</p>	<p>P</p>  <p>2 pcs</p>
<p>Q</p>  <p>2 pcs</p>	<p>X</p>  <p>2 pcs</p>	<p>Y</p>  <p>2 pcs</p>	<p>W</p>  <p>2 pcs</p>

Part list & Hardware

<p>1</p>  <p>Bolt M6 x 35 mm (32 pcs)</p>	<p>2</p>  <p>Bolt M6 x40 mm (24 pcs)</p>	<p>3</p>  <p>Flat Washer M6 (80 pcs)</p>	<p>4</p>  <p>Bolt M8 x30 mm (16 pcs)</p>
<p>5</p>  <p>Flat Washer M8 (32 pcs)</p>	<p>6</p>  <p>Allen key M4 (2 pcs)</p>	<p>7</p>  <p>Rocking Part (8pcs)</p>	<p>8</p>  <p>Bolt M6 x 15 mm (16 pcs)</p>
<p>9</p>  <p>Bolt M6 x 45 mm (8 pcs)</p>			

Step 1 (chair right assembly)

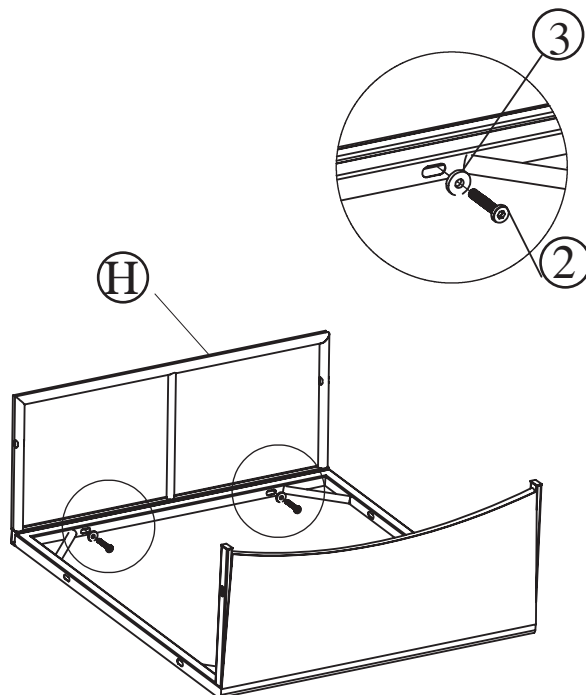
Connect the chair seat frame (G), front frame (F), tighten allen bolts (2) and washer (3) with allen key (6)



G x1 F x1 2 x2 3 x2

Step 2

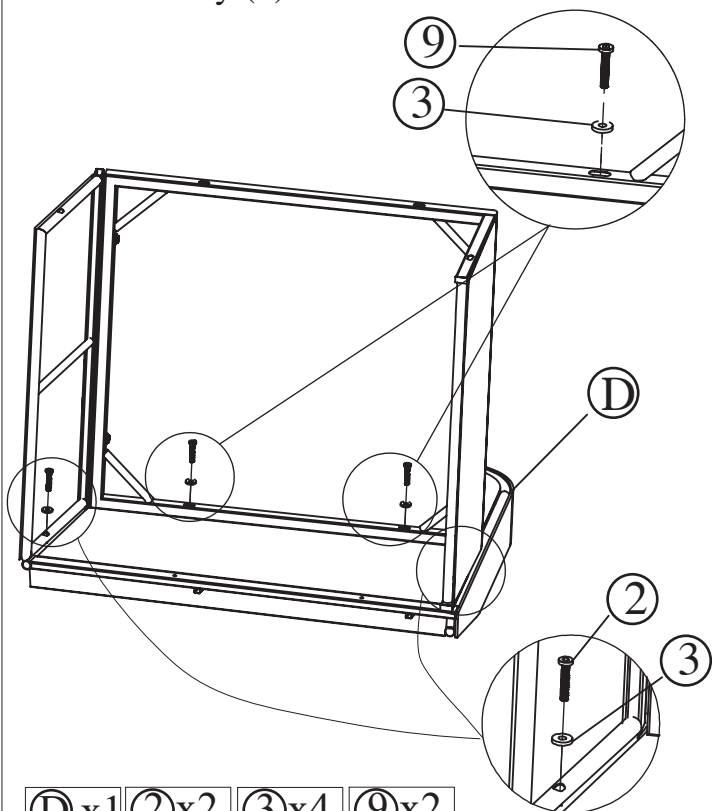
Connect the part from step 1 & below chair back frame (H), tighten allen bolts (2) & washer (3) with allen key (6)



H x1 2 x2 3 x2

Step 3

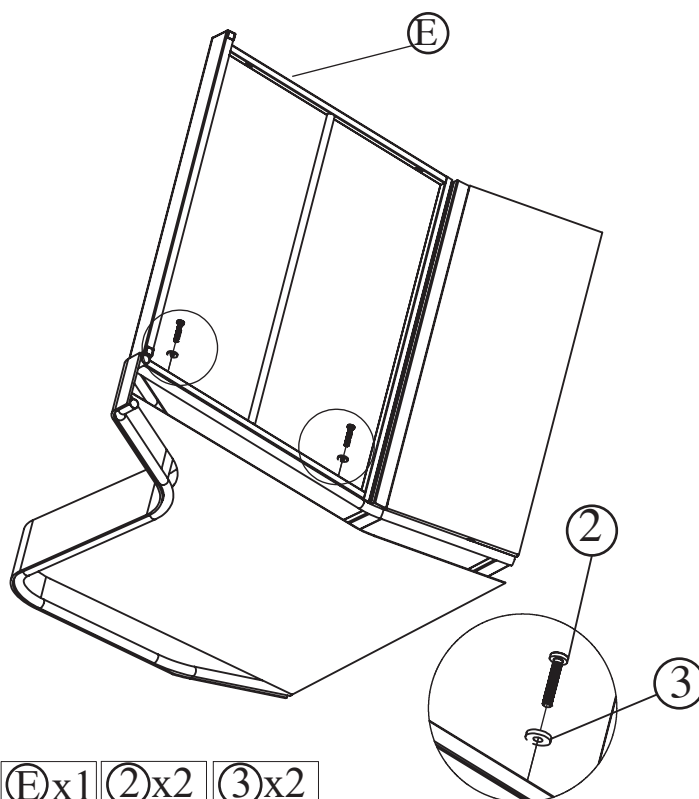
Connect the part from step 2 & left arm frame (D), tighten allen bolts (9), (2) & washer (3) with allen key (6)



D x1 2 x2 3 x4 9 x2

Step 4

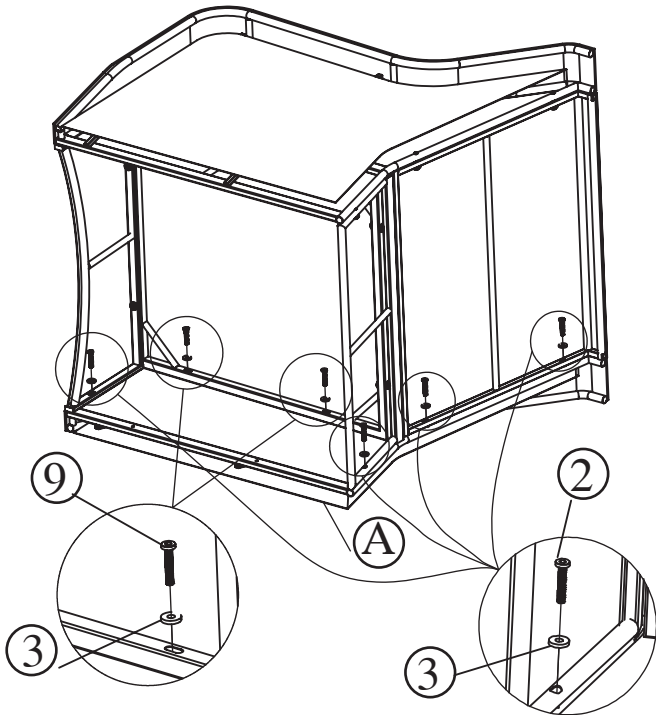
Connect the part from step 3 & behind chair back frame (E), tighten allen bolts (2) & washer (3) with allen key (6)



E x1 2 x2 3 x2

Step 5

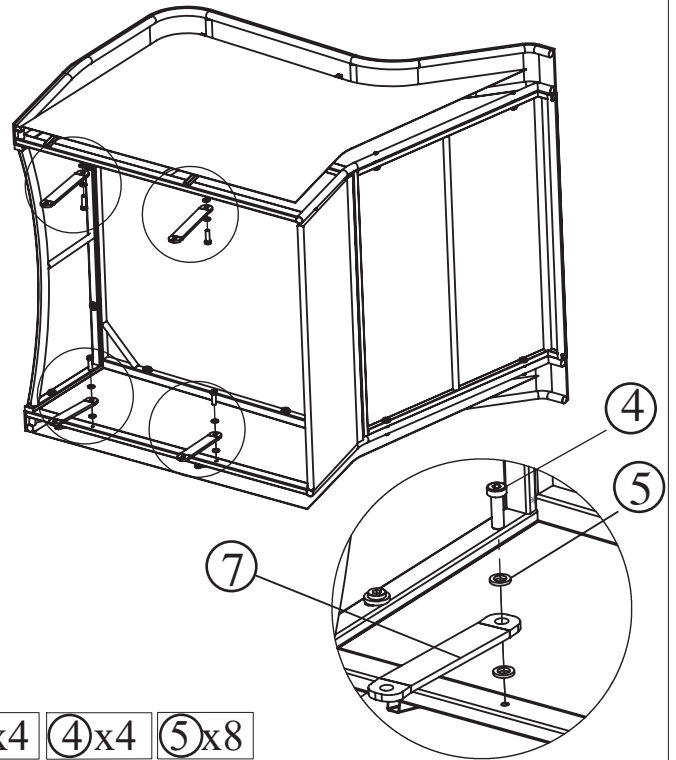
Connect the part from step 4 & right arm frame (A), tighten allen bolts (2),(9) & washer (3) with allen key (6)



Ax1 **3**x6 **4**x6 **9**x2

Step 6

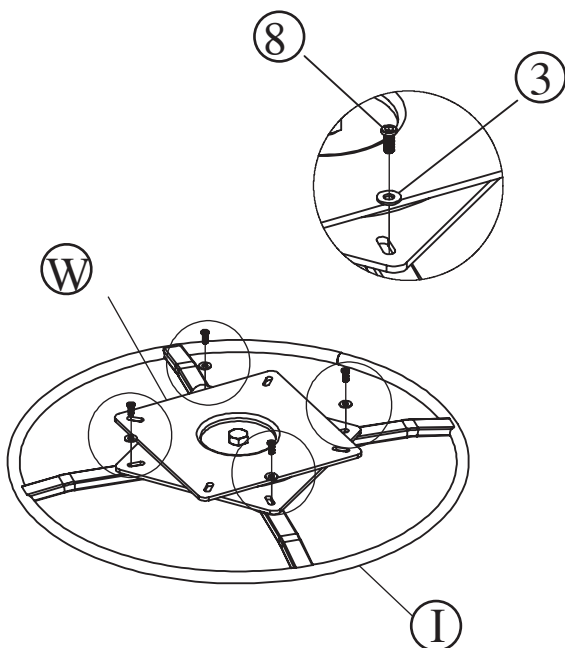
Connect the part from step 5 & rocking part(7), tighten allen bolts (4), & washer (5) with allen key (6)



7x4 **4**x4 **5**x8

Step 7

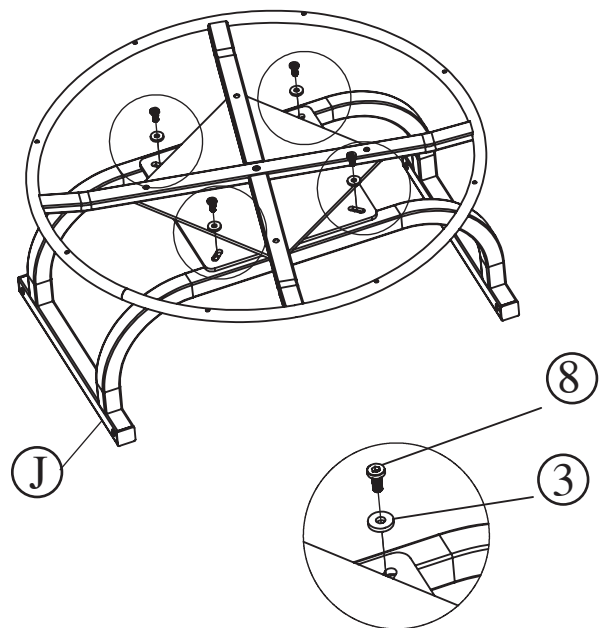
Connect leg frame (I) & swivel base (W), tighten allen bolts (8), & washer (3) with allen key (6)



Ix1 **W**x1 **8**x4 **3**x4

Step 8

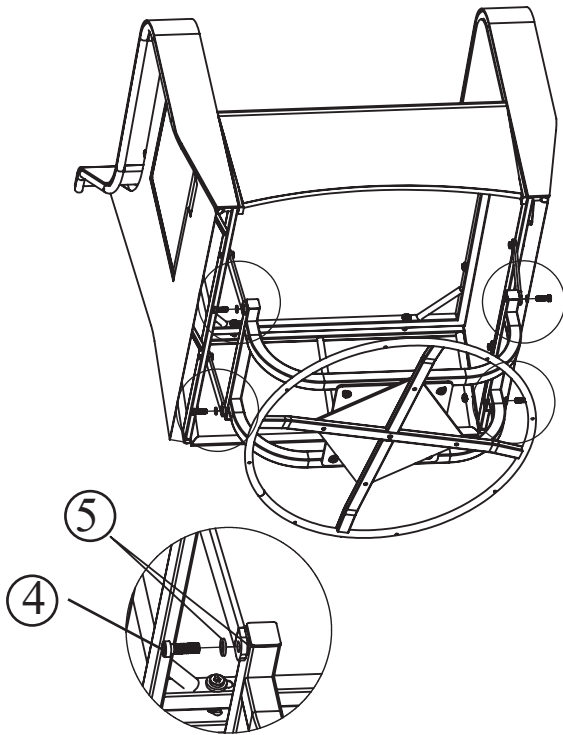
Connect the part from step 7 & bracket (J), tighten allen bolts (8), & washer (3) with allen key (6)



Jx1 **8**x4 **3**x4

Step 9

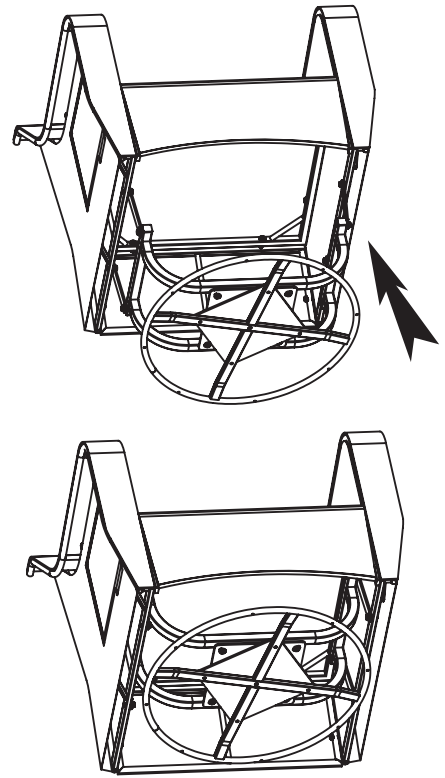
Connect the part from step 8 & step (6), tighten allen bolts (4), & washer (5) with allen key (6)



⑤x8 ④x4

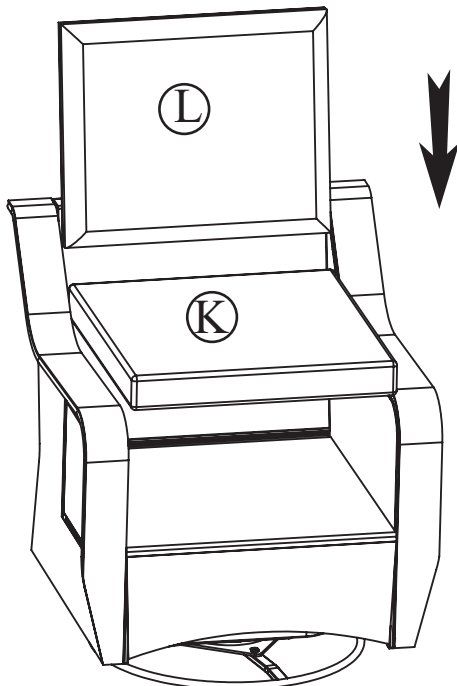
Step 10

Push part step 8 to the arrow



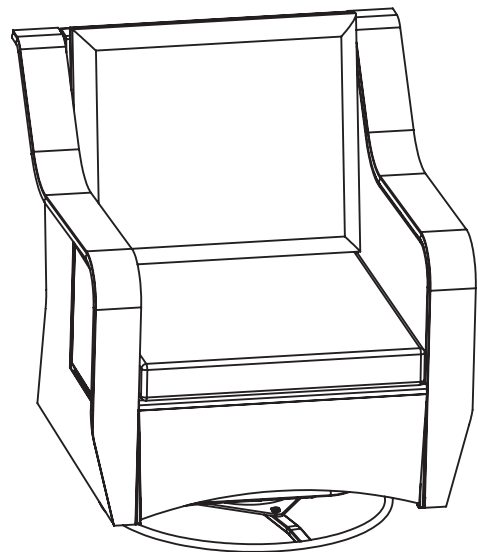
Step 11

Put chair upright, firmly tighten allen bolts with allen key (6), set up the cushions (K) + (L) to finish chair



Ⓚx1 Ⓛx1

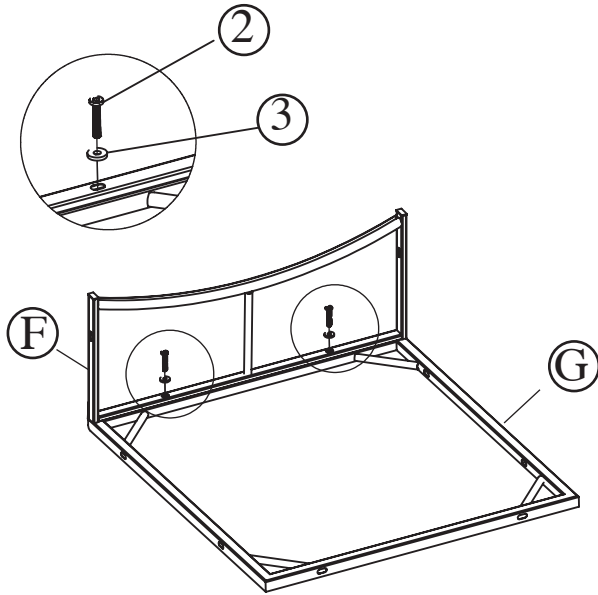
Step 12



Finish Chair

Step 13 (chair left assembly)

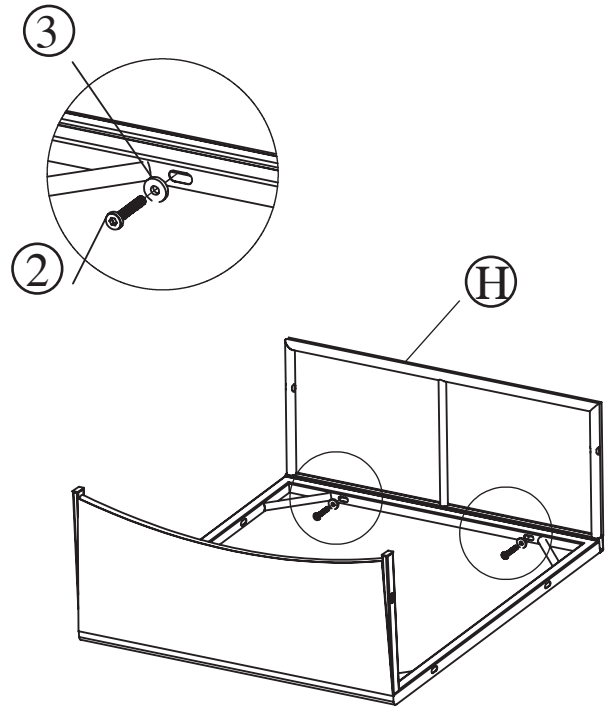
Connect the chair seat frame (G), front frame (F), tighten allen bolts (2) and washer (3) with allen key (6)



G x1 F x1 2 x2 3 x2

Step 14

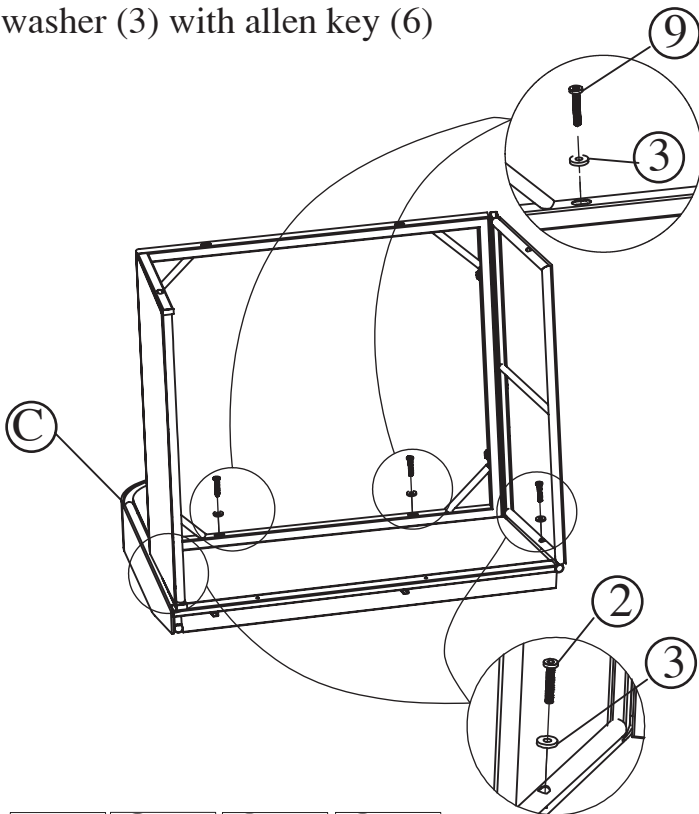
Connect the part from step 13 & below chair back frame (H), tighten allen bolts (2) & washer (3) with allen key (6)



H x1 2 x2 3 x2

Step 15

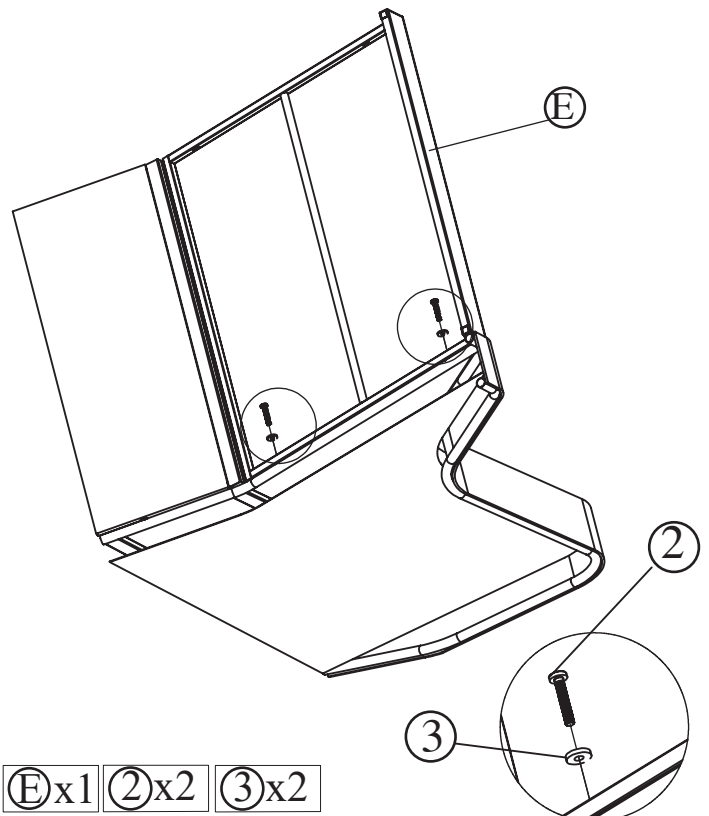
Connect the part from step 14 & right arm frame (C), tighten allen bolts (2), (9) & washer (3) with allen key (6)



C x1 2 x2 3 x4 9 x2

Step 16

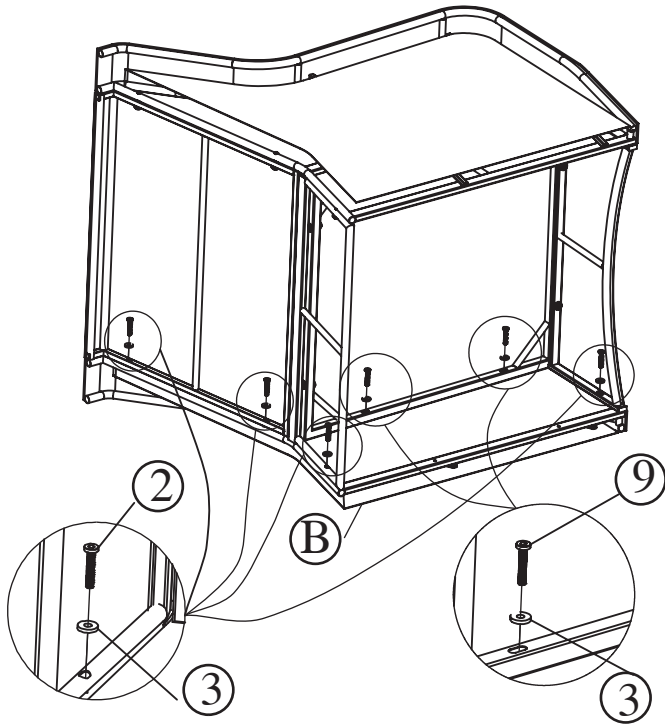
Connect the part from step 15 & behind chair back frame (E), tighten allen bolts (2) & washer (3) with allen key (6)



E x1 2 x2 3 x2

Step 17

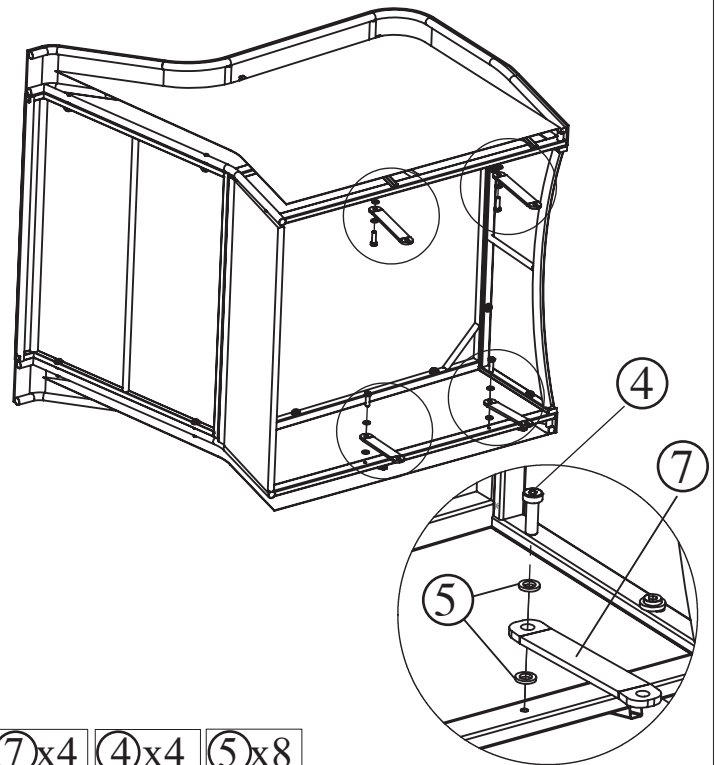
Connect the part from step 16 & right arm frame (A), tighten allen bolts (2),(9) & flat washer (3) with allen key (6)



Bx1 **3**x6 **2**x4 **9**x2

Step 18

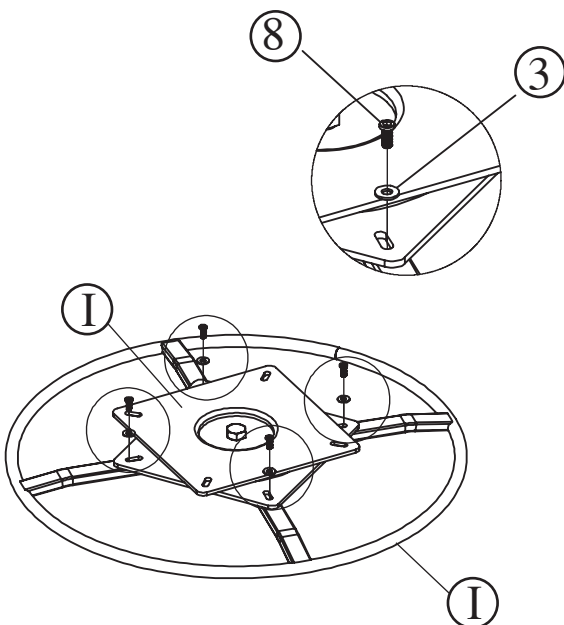
Connect the part from step 17 & rocking part(7), tighten allen bolts (4), & washer (5) with allen key (6)



7x4 **4**x4 **5**x8

Step 19

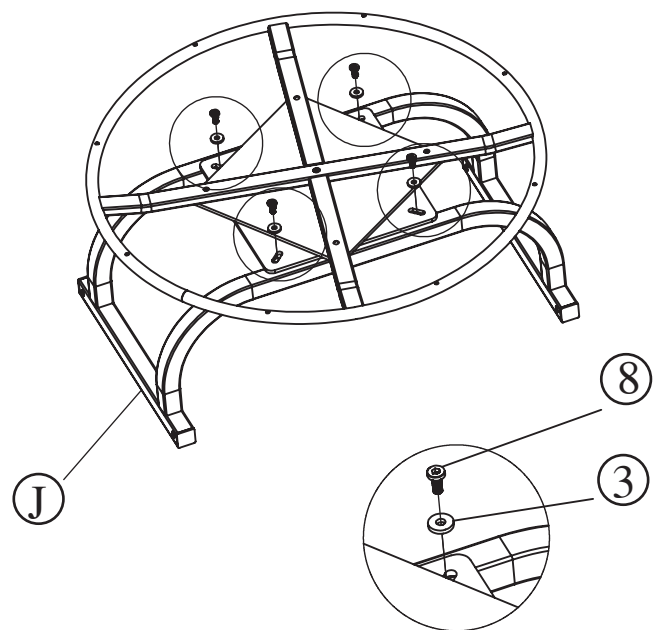
Connect leg frame (I) & swivel base (W), tighten allen bolts (8), & washer (3) with allen key (6)



Ix1 **W**x1 **8**x4 **3**x4

Step 20

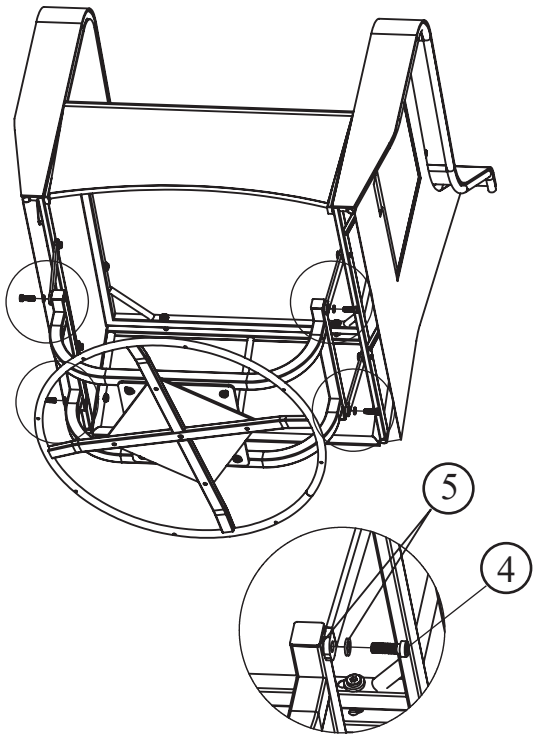
Connect the part from step 7 & bracket (J), tighten allen bolts (8), & washer (3) with allen key (6)



Jx1 **8**x4 **3**x4

Step 21

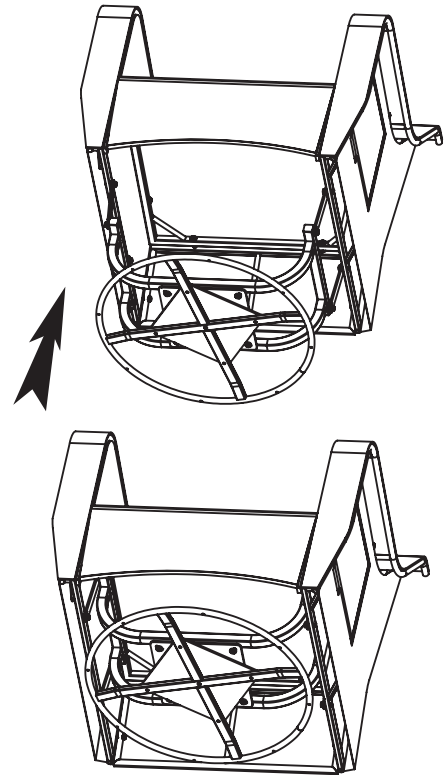
Connect the part from step 18 & step (20), tighten allen bolts (4), & washer (5) with allen key (6)



⑤x8 ④x4

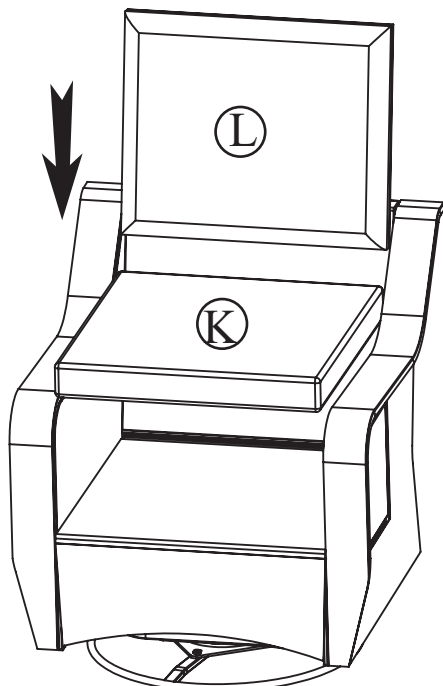
Step 22

Push part step 21 to the arrow



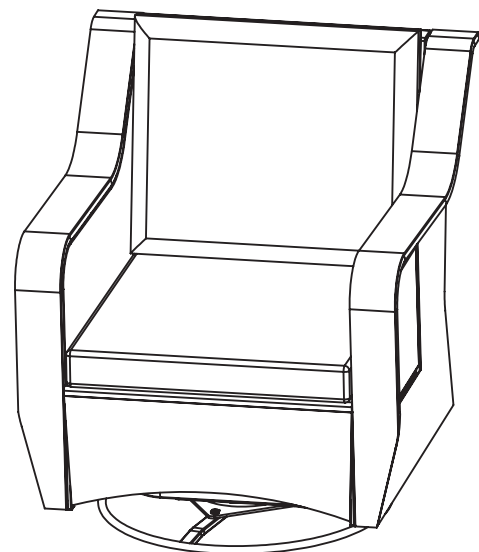
Step 23

Put chair upright, firmly tighten allen bolts with allen key (6), set up the cushions (K) + (L) to finish chair



Ⓚx1 Ⓛx1

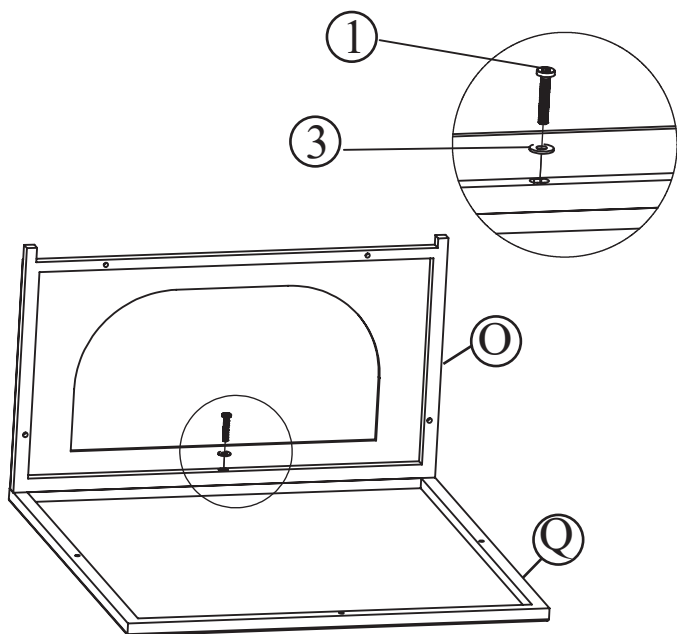
Step 24



Finish Chair

Step 25 (stool assembly)

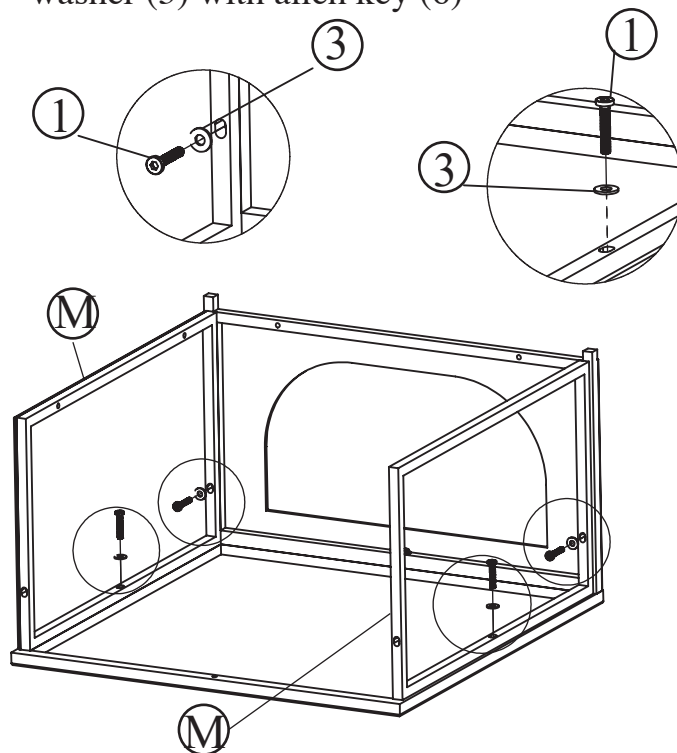
Connect the top stool (Q) and front frames (O), tighten allen bolts (1) & washer (3) with allen key (6)



⓪x2 Ⓠx2 ①x2 ③x2

Step 26

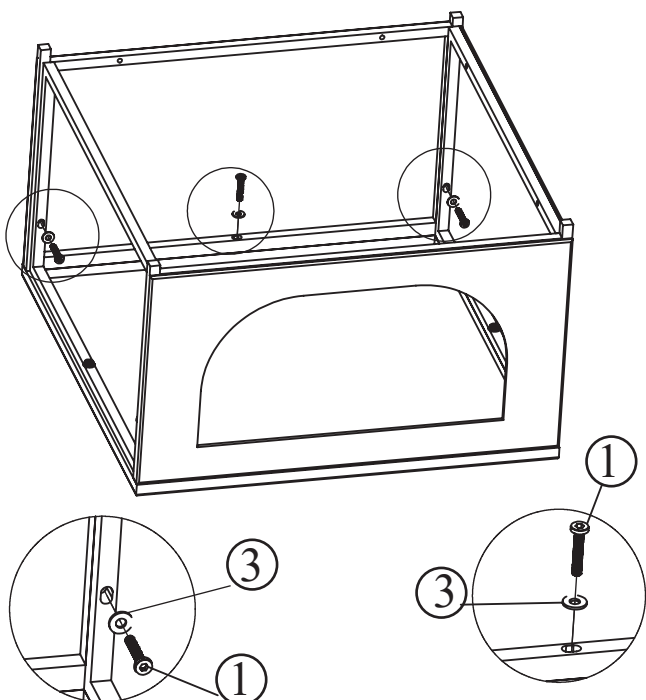
Connect the part from step 25 and side frame (M), tighten allen bolts (1) & washer (3) with allen key (6)



Ⓜx4 ①x8 ③x8

Step 27

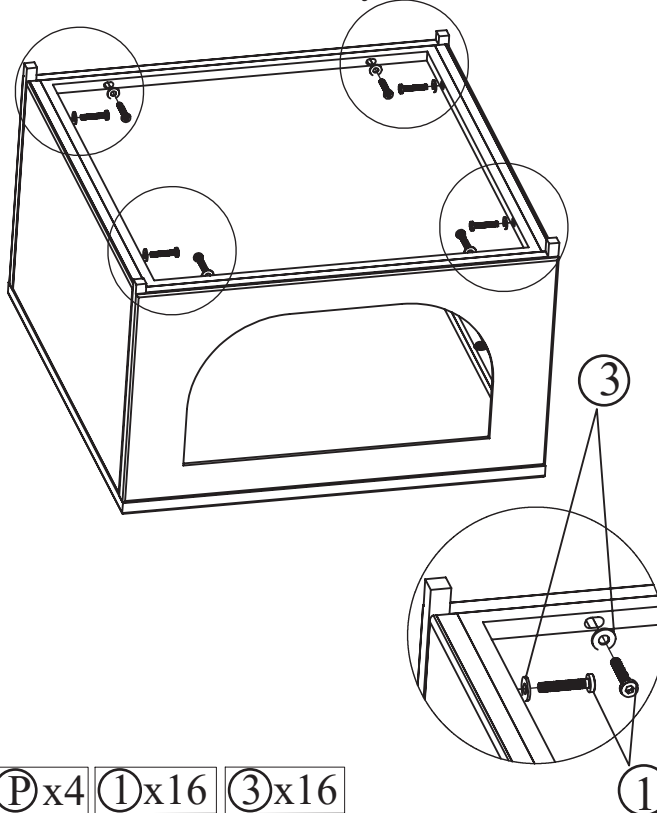
Connect the part from step 26 & back stool frame (N), tighten allen bolts (1) & washer (3) with allen key (6)



Ⓝx2 ①x6 ③x6

Step 28

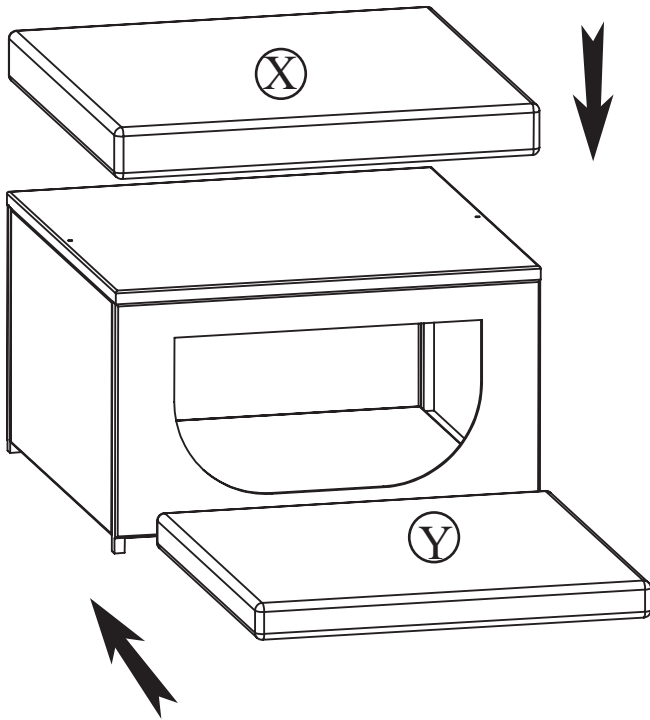
Connect the part from step 27 & bottom stool frame (P), tighten allen bolts (1) & washer (3) with allen key (6)



Ⓟx4 ①x16 ③x16

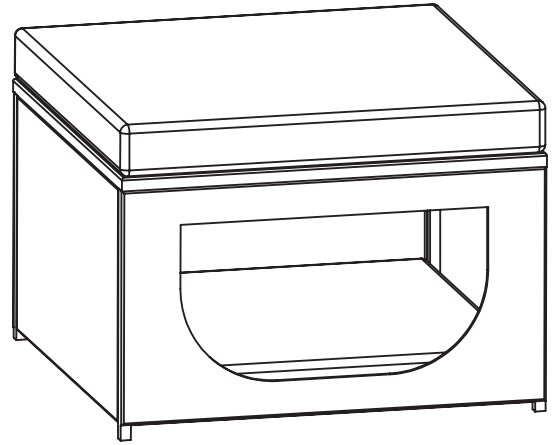
Step 29

Put stool upright, firmly tighten allen bolts with allen key (6), set up the cushions (X) + (Y) to finish chair



⊗x2 ⊙x1

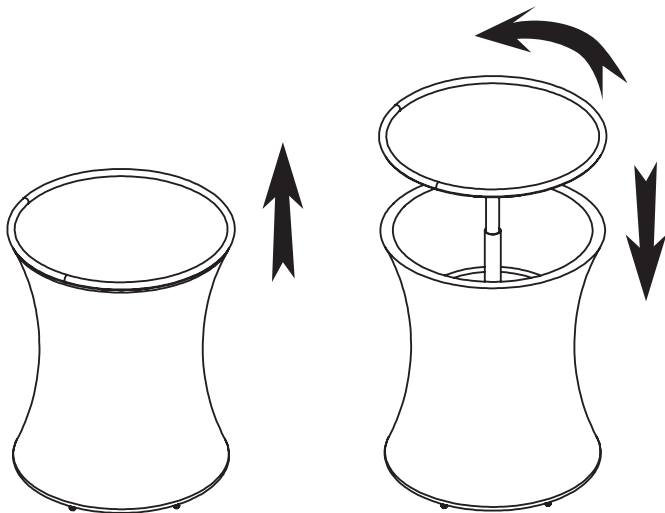
Step 30



Finish Stool

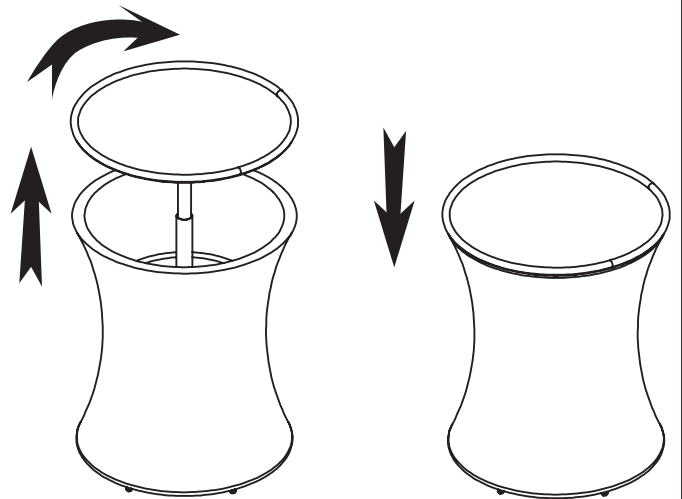
Step 31 (table assembly)

Pull the table top to the highest position, rotate the table top counterclockwise & put the table top down



Step 32

Pul the table top to the highest position, rotate the table top clockwise & put the table top down



Finish Table

Step 33 (FINISH)

Finished, lift up the side table to get more options or lower it at your own discretion

