

NOTICE

- * Please make sure that you have all parts indicated and they are in good condition before you begin assembly of this item. Refer to part list and hardware list below for guidance.
- * This item should be assembled on a soft surface to prevent scratching the finish during assembly
- * This item may require periodic tightening
- * If you having difficulty, our friendly Customer Care team is always here to help. Please email customersupport@safavieh.com

PREPARATION


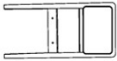
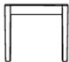



- * Before beginning assembly of product, make sure all parts are present. Compare parts with package contents list and hardware contents list.
- * If any part is missing or damaged, do not attempt to assemble the product.
- * Estimated Assembly Time: 10 minutes.
- * Tools Required for Assembly (included): Allen Key

CARE AND MAINTENANCE

Always use felt pads under all articles to prevent discoloration or softening of the lacquer. Plastic and rubber bases on items can discolor wood. Wipe up spills immediately and avoid common hazards such as hot dishes, harsh solvent and abrasives.

Cleaning should be done with a soft lint free cotton cloth dampened with water or furniture polish. On highly used surfaces we recommend applying a quality paste wax which should be used on regular basis to provide additional protection from scratches and spills. How often you apply the wax depends on how much wear the furniture receives.

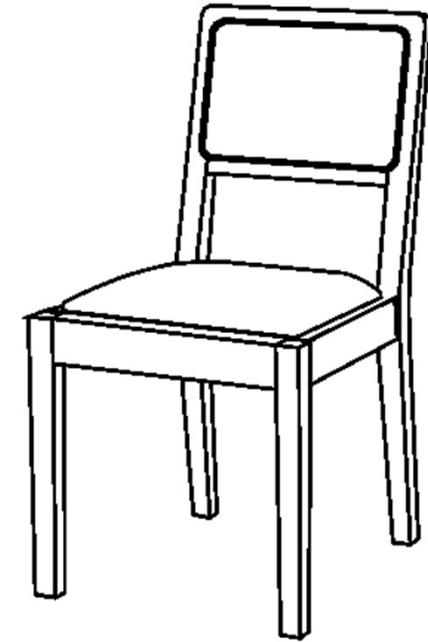
Part List and Hardware List

PIECE	DESCRIPTION	PICTURE	QUANTITY
A	Seat		1X
B	Back Rest		1X
C	Front leg		1X
D	Bolt 8 X 50 mm		4X
E	Flat Washer		4X
F	Allen Key		1X

 **SAFAVIEH**
FURNITURE

Model # DCH8000

Product Dimensions : 18.11"W x 22.44"D x 34.84"H



WARNING



Weight Capacity - 225 LBS

Warning: Do not stand on chair

Warning: Do not over torque bolts

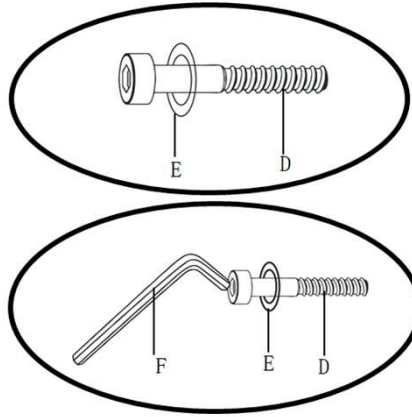
PREPARATION

Before beginning assembly of product, make sure all parts are present. Compare parts with package contents list and hardware contents list.

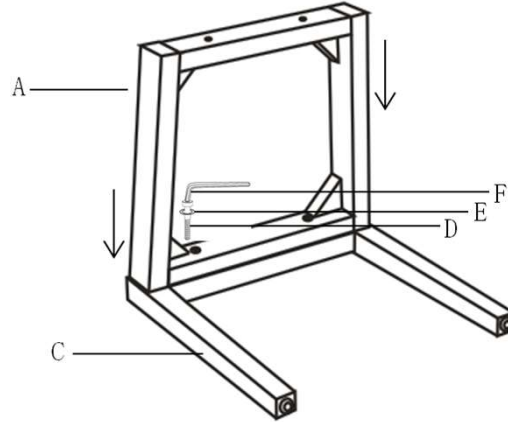
If any part is missing or damaged, do not attempt to assemble the product.

Estimated Assembly Time: 10 minutes.

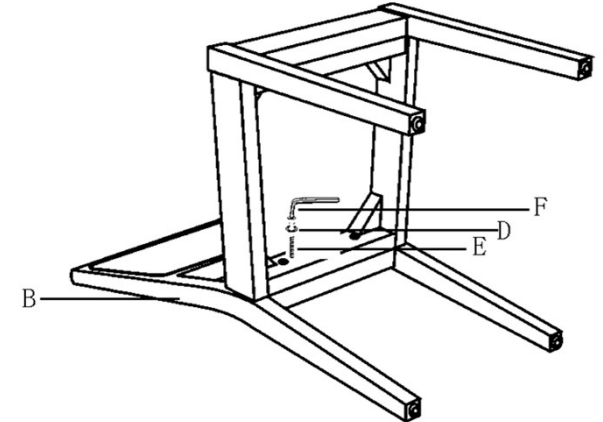
Tools Required for Assembly (included): Allen Key



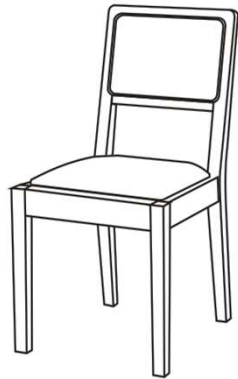
STEP1 PUT THE WASHERS ON THE BOLT IN THE ORDER SHOWN IN THE PICTURE.



STEP2 ATTACH THE SEAT TO THE FRONT LEG AND SCREW IN THE BOLTS BUT DON'T TIGHTEN COMPLETELY.



STEP3 INSERT THE ASSEMBLED SEAT AND FRONT LEG TO THE BACKREST AND SCREW IN THE BOLTS BUT DON'T TIGHTEN COMPLETELY.



STEP4 PUT THE CHAIR UPRIGHT AND MAKE SURE ALL LEGS ARE LEVEL, THEN FIRMLY TIGHTEN BOLTS WITH ALLEN KEY WHILE CHAIR IS UPRIGHT AS PICTURE ABOVE,



STEP5 REMOVE THE SEAT CUSHION'S POLYBAG CAREFULLY.