

# Wall-Mount Sink

## LFBWM1R-2417B



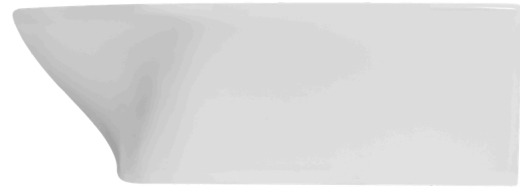
### FEATURES

- Rectangular Bathroom Sink
- Gloss White Ceramic
- Countertop-Mount & Wall-Mount
- 3 <sup>15</sup>/<sub>16</sub>" Deep Basin
- Pre-Drilled 1 <sup>3</sup>/<sub>8</sub>" Faucet Holes
- Standard 1 <sup>3</sup>/<sub>4</sub>" Drain Hole
- Pop-up Drain Included
- Mounting Kit Included
- With Overflow Hole

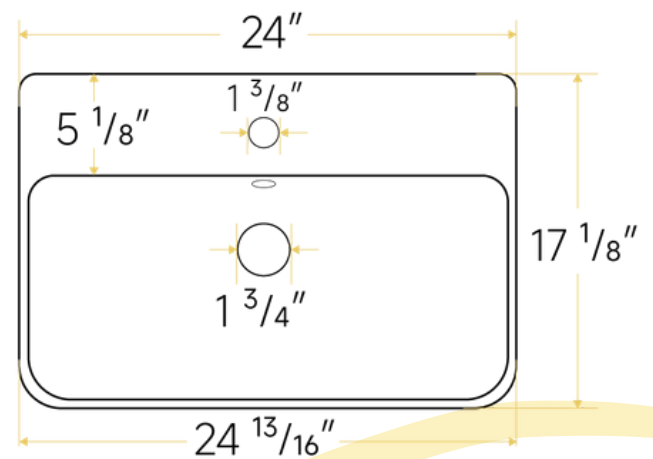
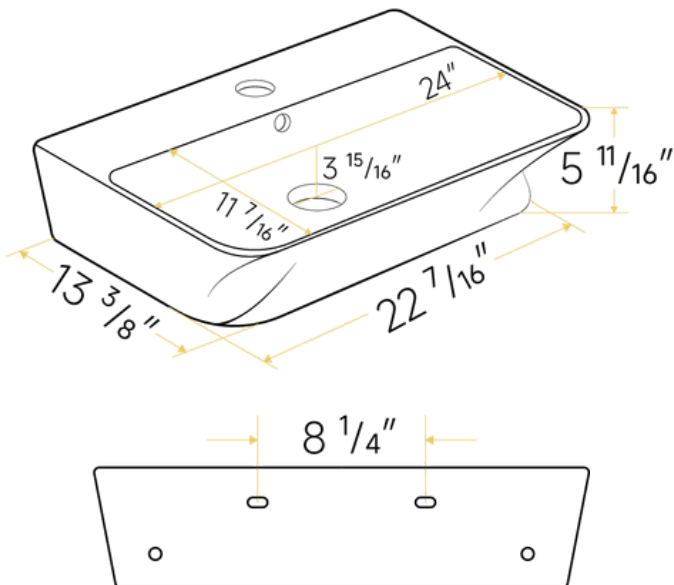
### SPECIFICATIONS

<b>Color</b>	White	<b>External Dimensions</b>	24 <sup>13</sup> / <sub>16</sub> "L * 17 <sup>1</sup> / <sub>8</sub> " W * 5 <sup>11</sup> / <sub>16</sub> " H
<b>Material</b>	Ceramic	<b>Internal Dimensions</b>	24"L * 11 <sup>7</sup> / <sub>16</sub> "W * 3 <sup>15</sup> / <sub>16</sub> "H
<b>Basin Shape</b>	Rectangular	<b>Drain Hole</b>	1 <sup>3</sup> / <sub>4</sub> "
<b>Net Weight</b>	32.23LB	<b>Drain Type</b>	Pop-up Drain With Overflow
<b>Gross Weight</b>	38.62LB	<b>Installation Type</b>	Wall-Mount / Above-Counter
<b>Basin Depth</b>	3 <sup>15</sup> / <sub>16</sub> "	<b>Warranty</b>	Limited 2 Years Warranty
<b>Faucet Hole</b>	1 <sup>3</sup> / <sub>8</sub> "		

## PRODUCT VIEWS



## DIMENSIONS



## PACKAGE INCLUDES



1 x Bathroom Sink



1 x Pop-up Drain With Overflow  
1 x Ceramic Drain Cover  
1 x Stainless Steel Drain Cover



1 x Wall-mount Kit



1 x User Manual