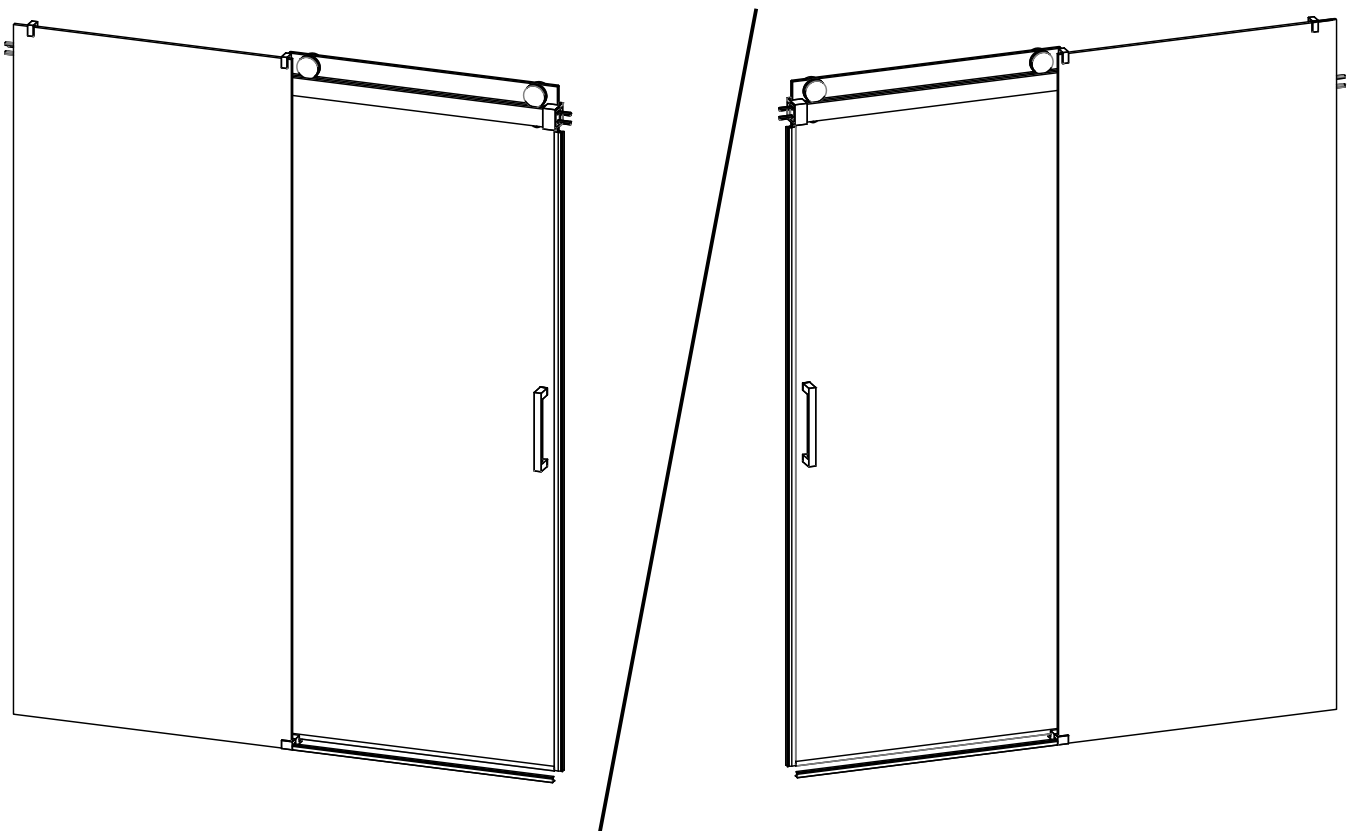


24D01

SHOWER DOOR

If you have any questions about the shower door, please feel free to contact us.



Reversible Installation

Attach Your Receipt Here

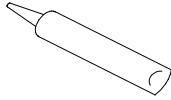
Model Number _____ **Purchase Date** _____

Thank you for purchasing this quality product. Please carefully inspect all packing materials and check the carton for small parts that may have come loose during shipping.

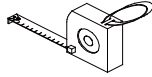
TOOL REQUIRED



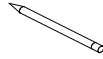
Soft Cloth
or Blanket



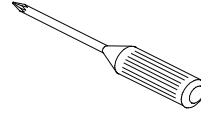
Caulk



Tape
Measure



Pencil



Phillips
Screwdriver



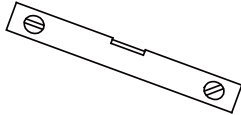
Drill Bit
(Ø6mm=0.24")



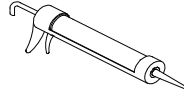
Drill Bit
(Ø3.2mm=0.12")



Safety Glasses



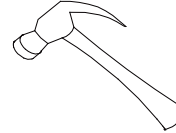
Level



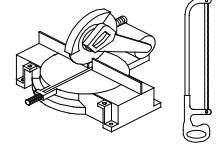
Caulk Gun



Drill



Hammer



Miter Saw
or Hacksaw

SAFETY INFORMATION

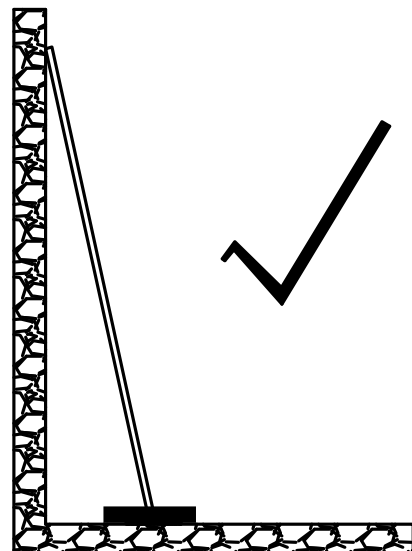
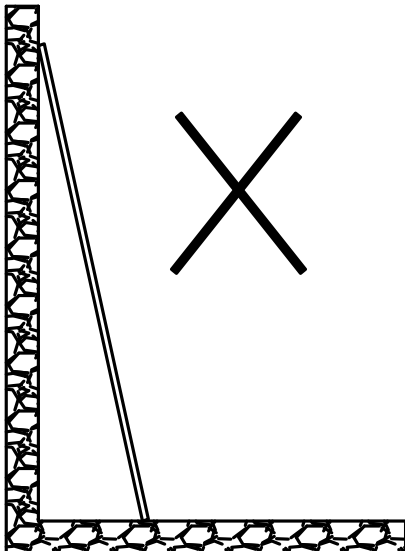
Before You Start

- **Read Thoroughly:** Carefully read all instructions and maintenance information. Failure to do so may result in injury or product failure.
- **Safety Gear:** Wear eye protection, cut-resistant gloves with a non-slip grip, and closed-toe shoes when cutting, drilling, or handling glass.
- **Professional Installation:** We strongly recommend installation by a licensed, insured contractor. Two - person assistance is required.
- **Inspect Components:** After unpacking, check the Shower Door Components Detail Sheet to ensure all parts are included. Inspect for shipping damage, defects, or missing parts, and contact customer support if needed. Double-check the glass doors for breakage—especially at the corners and edges. Do not install if the glass is damaged.



WARNING

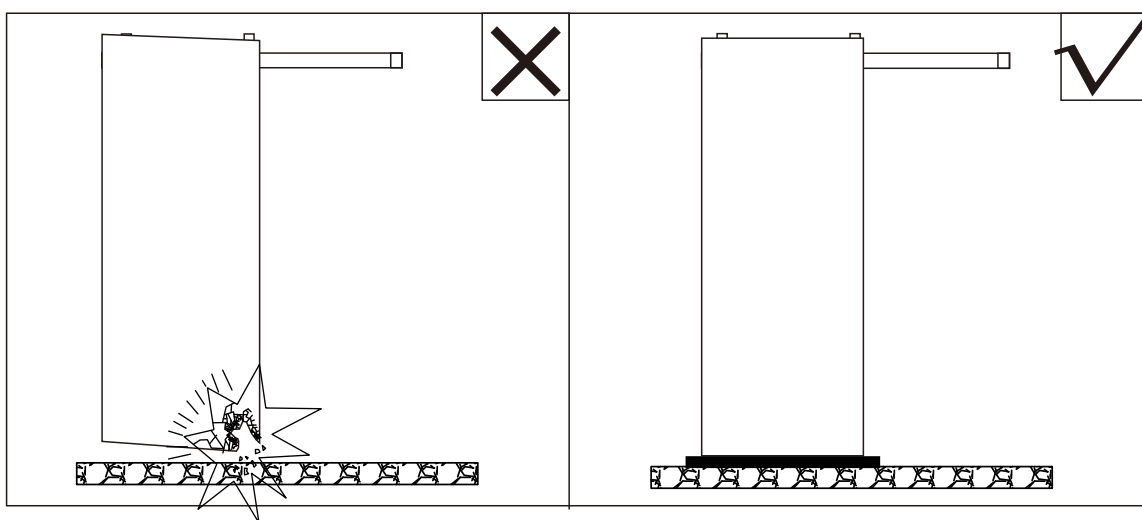
When placing the tempered glass upright, ensure a soft material is underneath and avoid impact to the corners or edges to prevent shattering.



WARNING



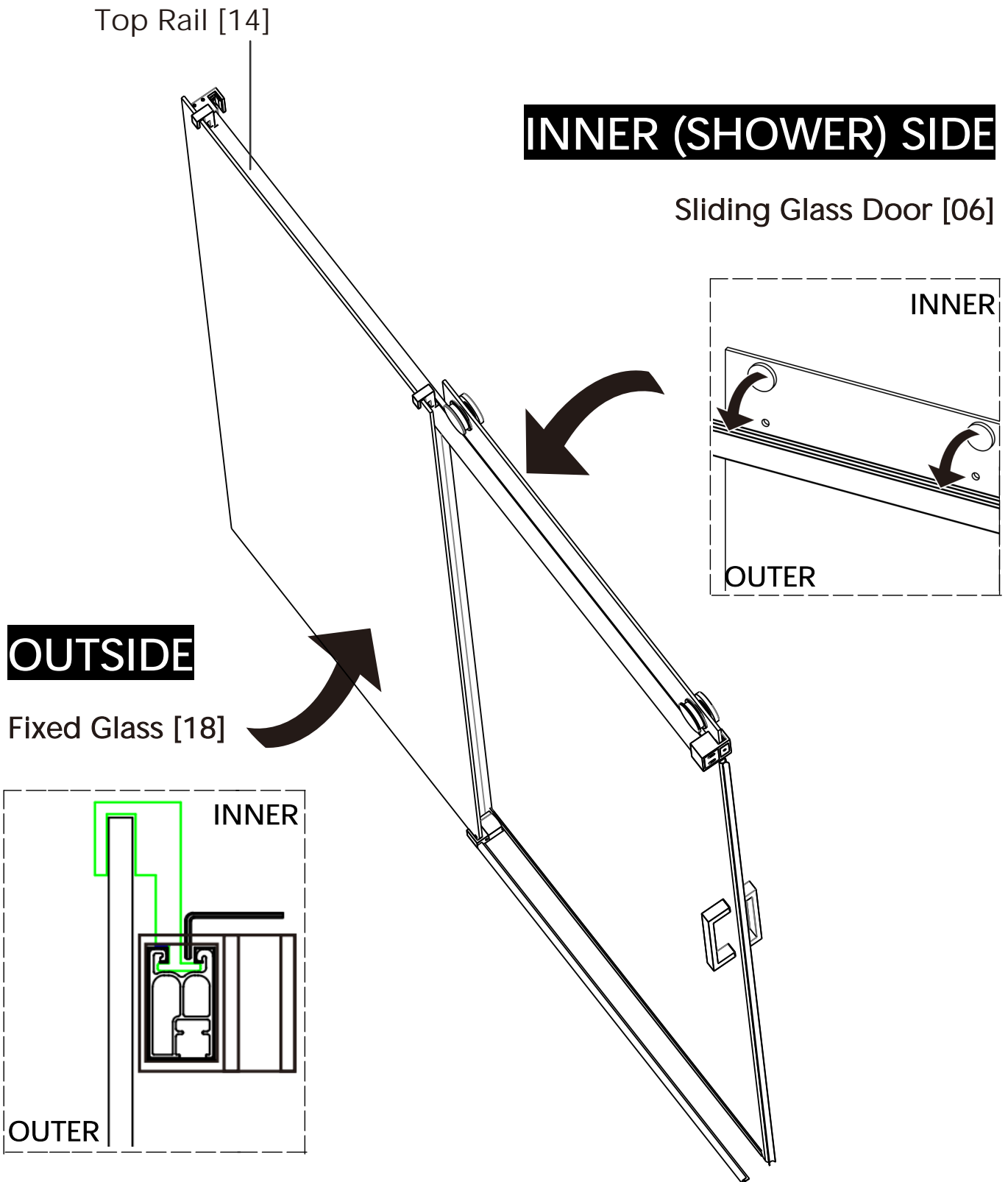
- Always place the glass horizontally and level during installation.
- Never let any corner touch the floor first —tempered glass may shatter immediately.
- Use a piece of foam from the packaging under the glass to protect it while handling.



CLEANING AND MAINTENANCE


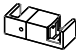
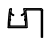

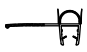
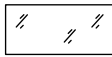
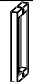
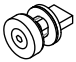

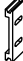







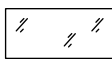




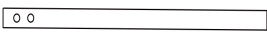
- Do not use abrasive or strong cleaning agents on the shower enclosure, such as alcohol, petroleum-based liquids, or acidic chemical cleaners.
- For stains, wipe the enclosure with a soft, lint-free cloth and warm, soapy water. Rinse thoroughly with clean water.
- After installation, if the glass door makes noise during operation, apply a small amount of lubricant to the roller wheels, bottom guide, and track as needed.

BEFORE INSTALLATION

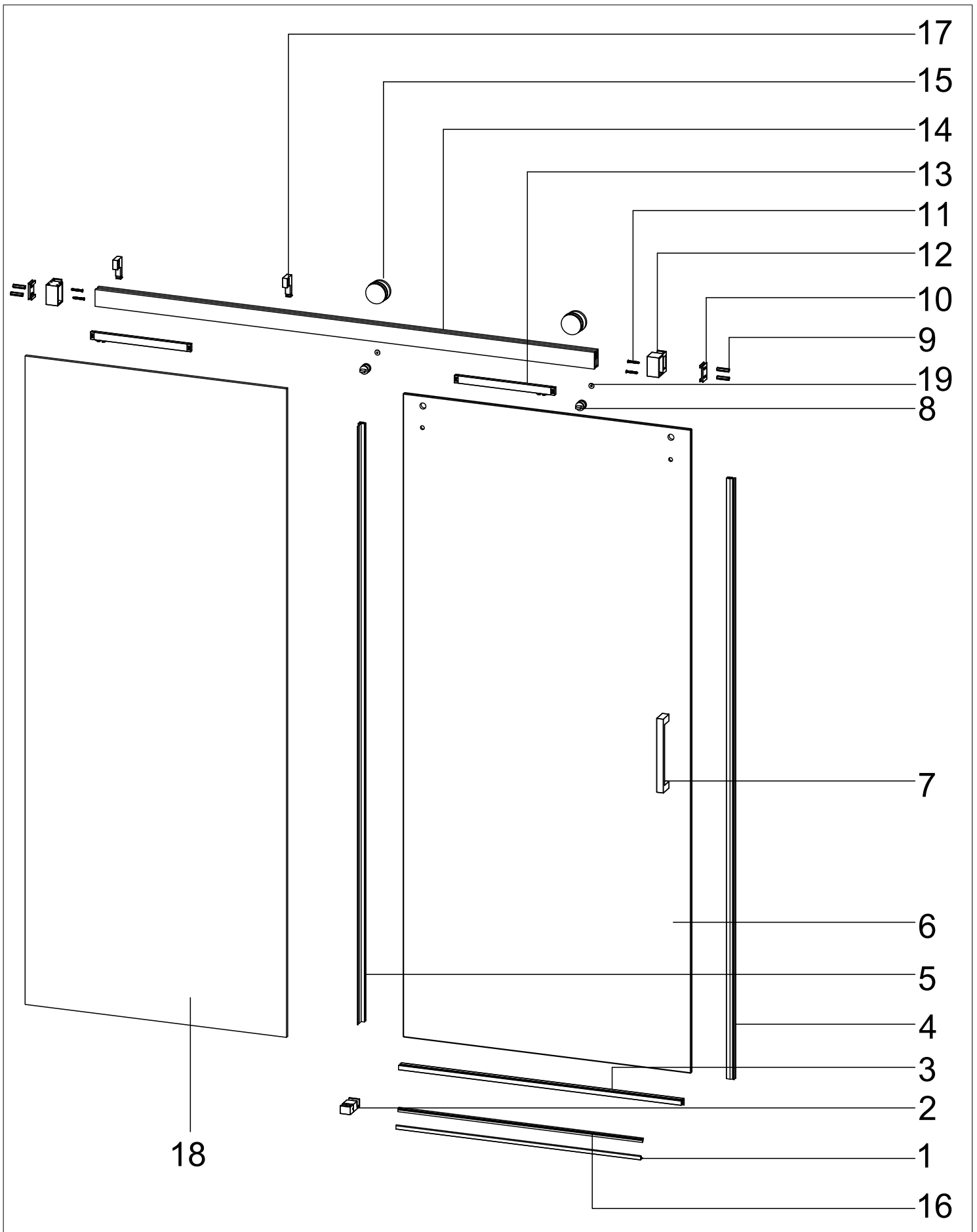


*****REGARDLESS OF THE INSTALLATION ORIENTATION, THE FIXED GLASS [18] SHALL BE POSITIONED ON THE OUTER SIDE, AND THE SLIDING GLASS [06] SHALL REMAIN ON THE INNER (SHOWER) SIDE.**

PART LIST

Serial Number	Graphical	Name	Quantlty	Remark
1		anti-splash threshold	1PCS	
2		guide block	1PCS	
3		lower cross tape	1PCS	
4		door seal	1PCS	
5		Sliding panel seal	1PCS	
6		sliding door	1PCS	
7		towel bar	1PCS	
8		anti-jumping knob	2PCS	
9		Ø8	4PCS	
10		wall mounting	2PCS	
11		ST5*40	4PCS	
12		wall bracket	2PCS	
13		buffer optional	2PCS	already installed in #14
14		rail	1PCS	
15		roller	2PCS	
16		Lower water retaining tape	1PCS	already installed in #01
17		Glass Clamp	2PCS	
18		glass panel	1PCS	
19		Screw Cap	2PCS	
20		M2.5	1PCS	
21		M4.0	1PCS	
22		M5.0	1PCS	
23		Measuring Tool	1PCS	

EXPLODED VIEW



DOOR ASSEMBLY

Step 1: Measure and Trim to Fit

NOTE: Designed for a standard 60-inch opening, this shower door can be trimmed up to 4 inches to fit spaces from 56 to 60 inches wide. If your opening is exactly 60 inches, no trimming needed.

Size (in.)	L	
	Min.	Max.
60"	56"	60"



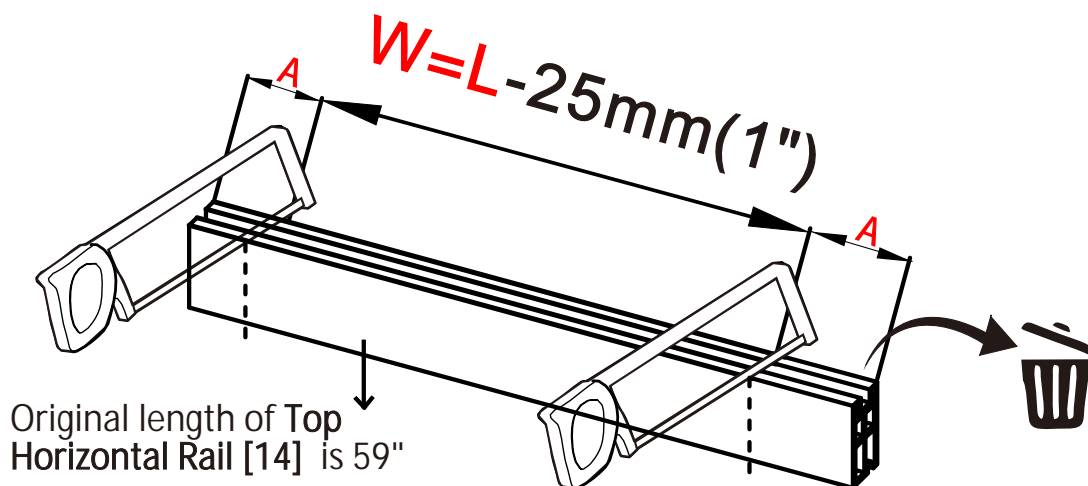
①. Measure the width of the shower opening with a tape measure and record it as installation size **L**.

②. Cut the Top Horizontal Rail [14] to length **W**: Installation size **L** minus 25mm(1").

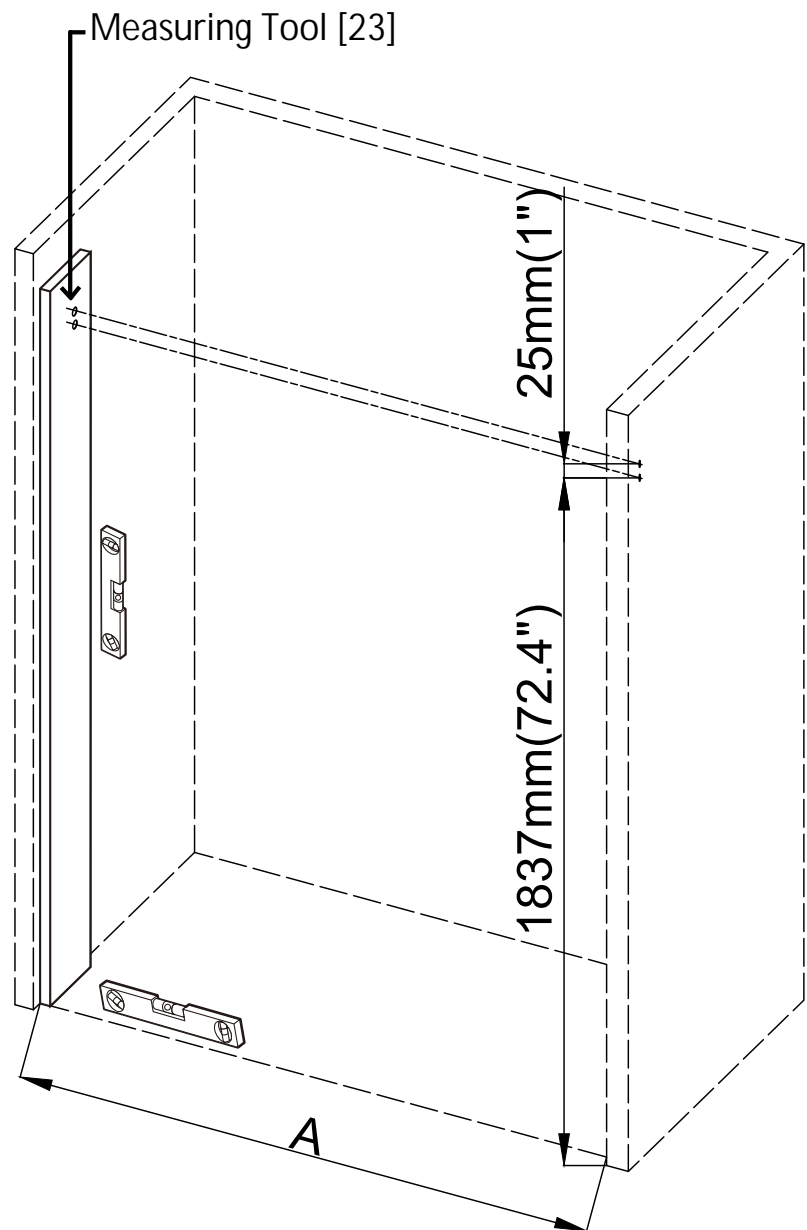
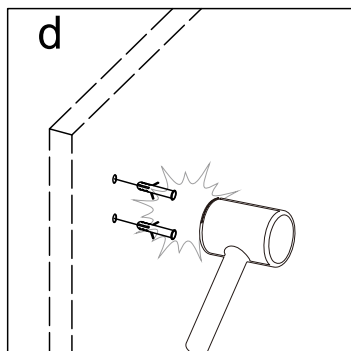
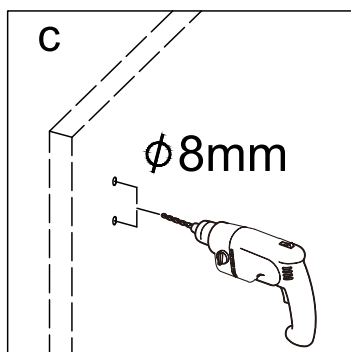
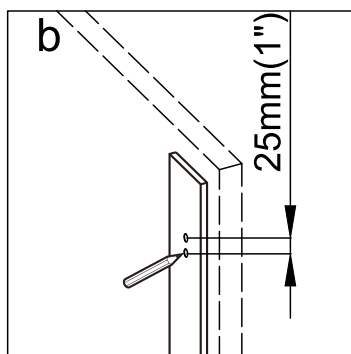
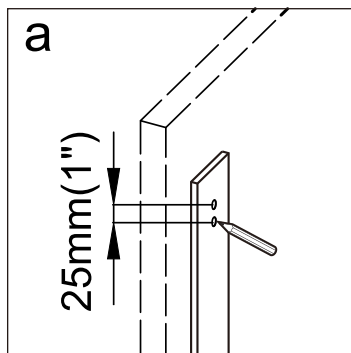
Note: When cutting the Top Horizontal Rail [14], be careful not to cut into the inner Buffer [13]. If **L** is less than 1474mm (58"), it needs to be cut in half at each end.

For example:

$$\begin{aligned} \text{Installation size } L &= 57" \\ W &= L - 1" = 56" \\ A &= \frac{\text{Original Length (59") - } W (56")}{2} = 1.5" \end{aligned}$$



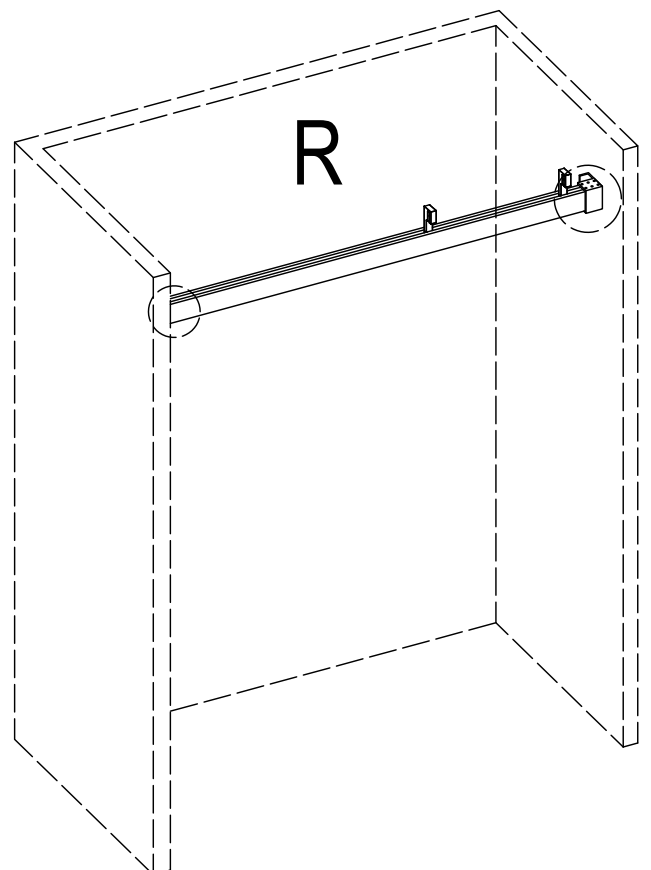
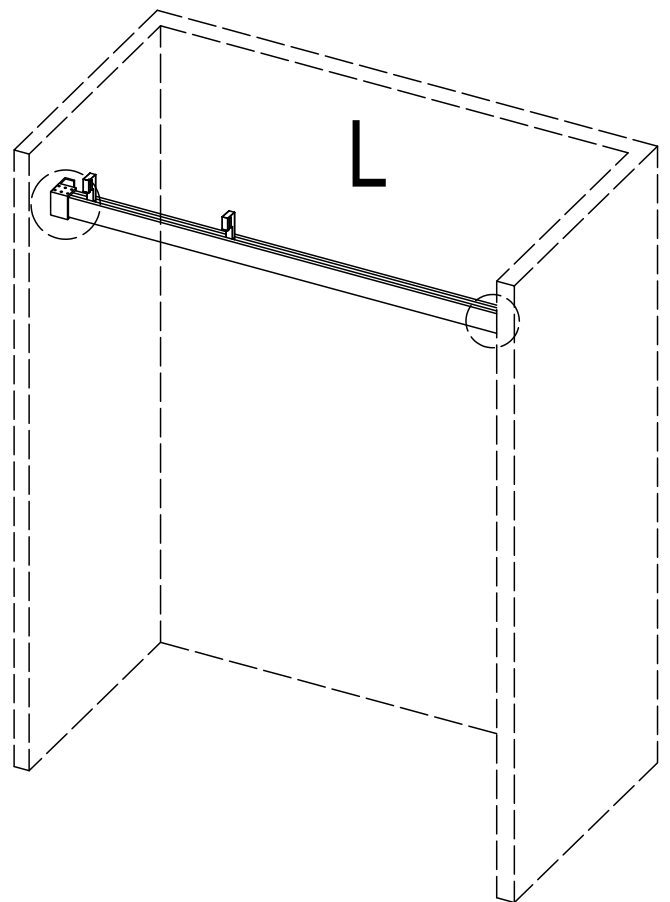
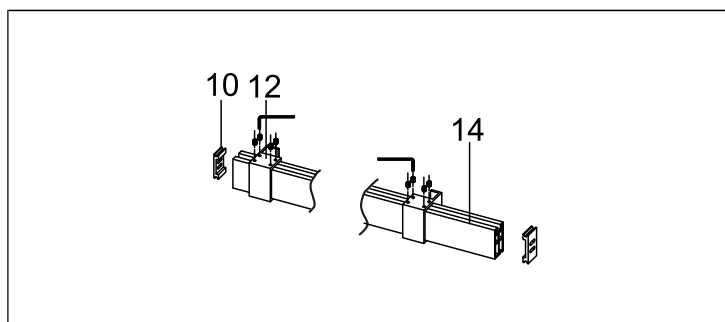
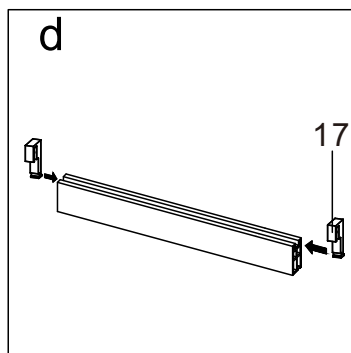
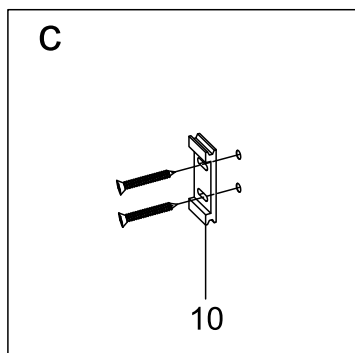
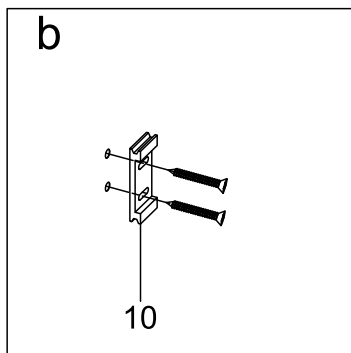
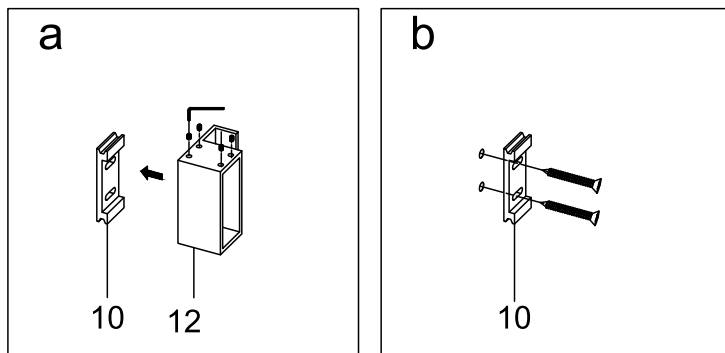
Step 2: Wall Hole Marking & Drilling



1. Place the **Measuring Tool [23]** vertically against the wall on the floor. Use a pencil to mark the two hole positions through the tool onto the wall. Repeat this for both left and right side walls to ensure symmetry.
2. Drill holes with 8 mm bits and carefully insert the expansion sleeves into the wall.

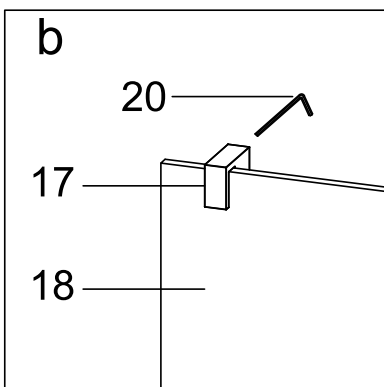
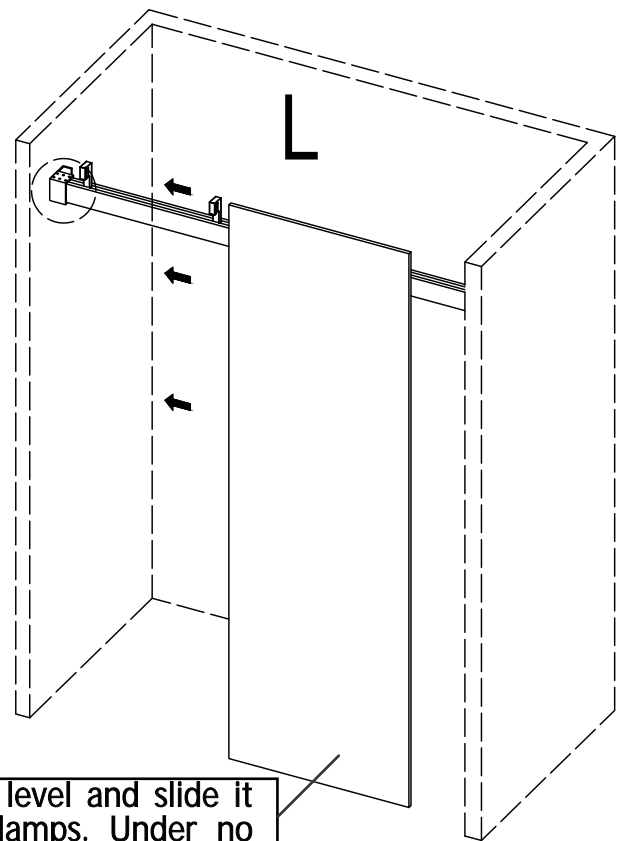
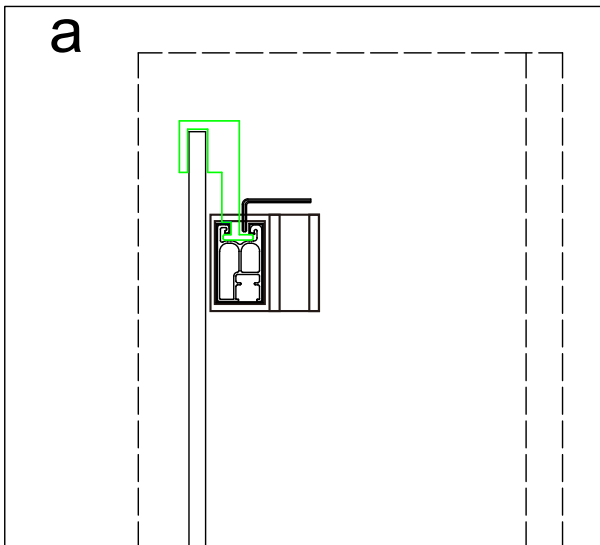
DOOR ASSEMBLY

Step 3: Install the Top Rail



1. Separate Wall Mountings [10] and Wall Brackets [12]. Fix Wall Mountings [10] to the wall by securing it into the expansion sleeves with screws.
2. Insert Glass Clamps [17] into the top slot of the Rail [14]. If the sliding door is installed on the left side, then install the clamps on the left side of the rail. If the sliding door is installed on the right side install the clamp on the right side of the rail.
3. Attach Wall Brackets [12] to both ends of the rail. Align the rail with Wall Mountings [10] on the wall, then slide Wall Brackets [12] with Wall Mountings [10] and screw in place.

Step 4: Install the Fixed Glass Panel

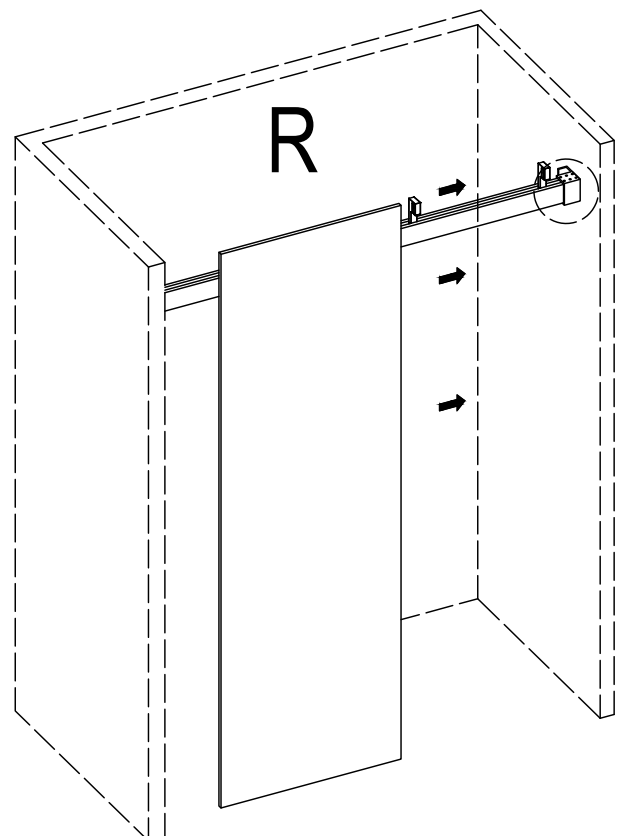


Keep the glass level and slide it evenly into the clamps. Under no circumstances should the glass be placed with only one corner touching the floor, as uneven placement may cause it to break

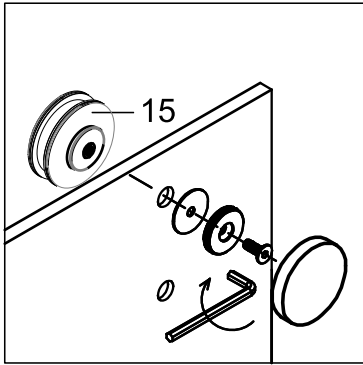
❶. Carefully insert the **Fixed Glass [18]** into the slot of **Glass Clamps [17]**, positioning it against the wall. Avoid damaging the edges or corners of the glass.

❷. Adjust **Glass Clamps [17]** to the desired position, then secure it onto the rail using a 2.5 mm hex wrench.

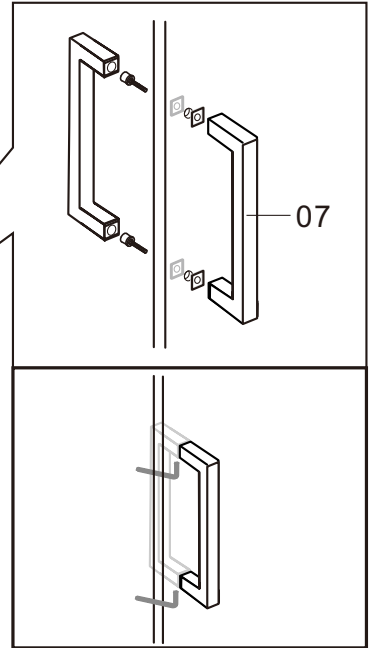
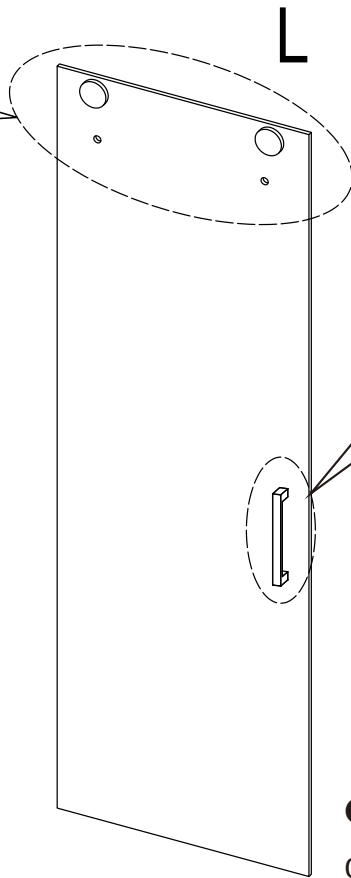
❸. Tighten the **Fixed Glass [18]** securely with a 4 mm wrench.



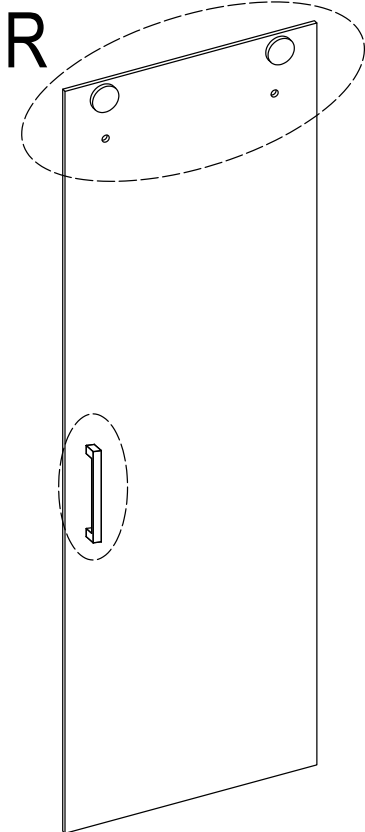
Step 5: Install the Sliding Glass Panel



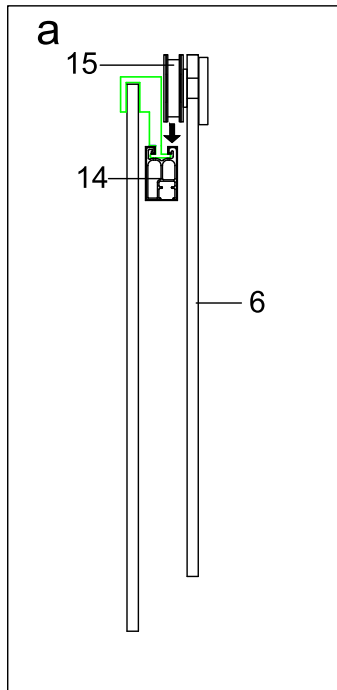
①. Install the Rollers [15] on the Sliding Glass Panel [6].



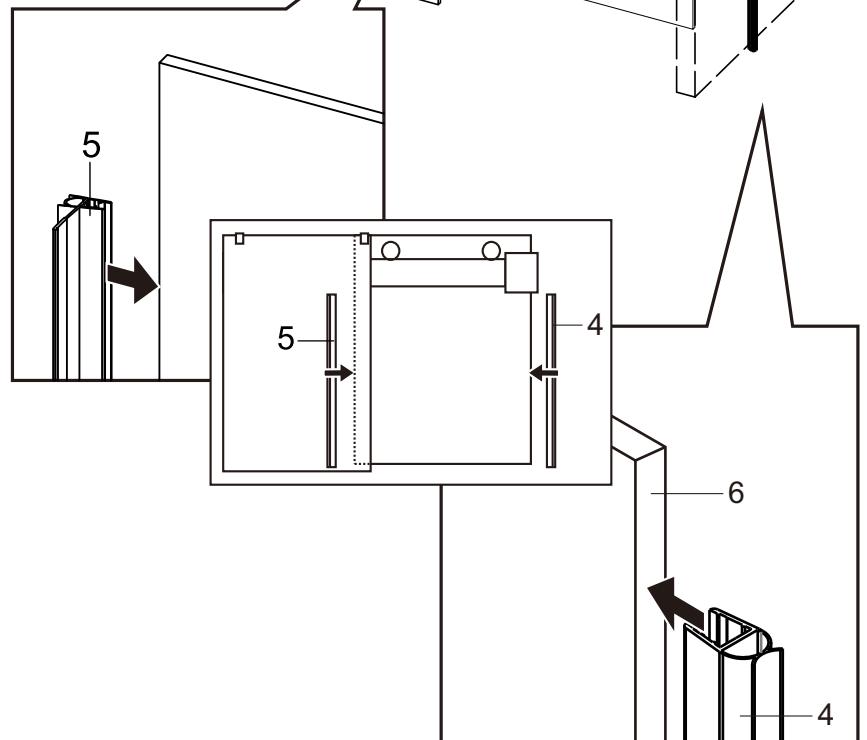
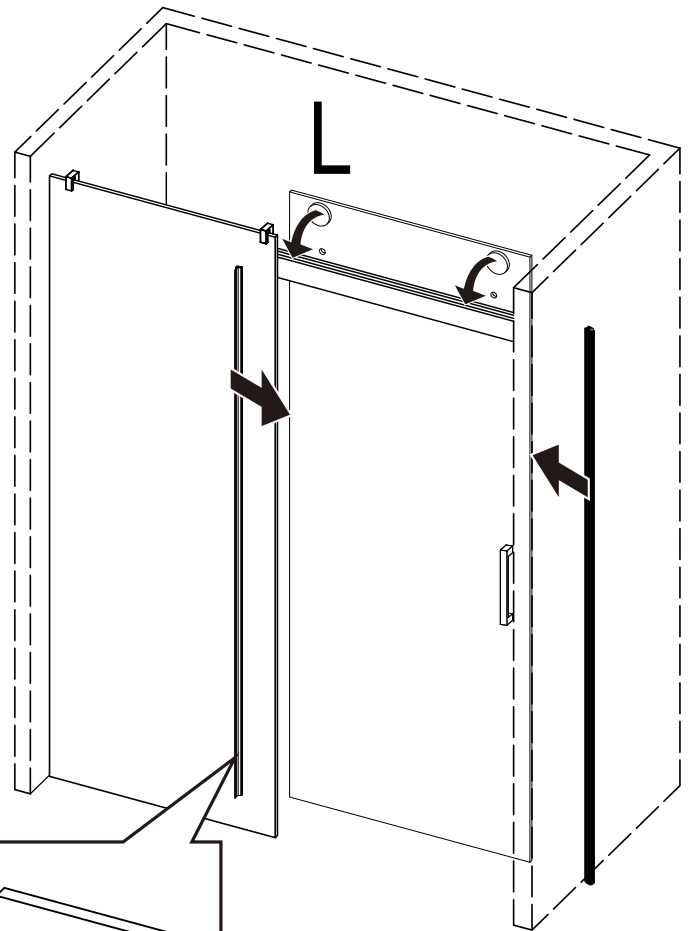
②. Install Handle [07] on both side of the Sliding Door [06] and secure with a hex wrench.



DOOR ASSEMBLY

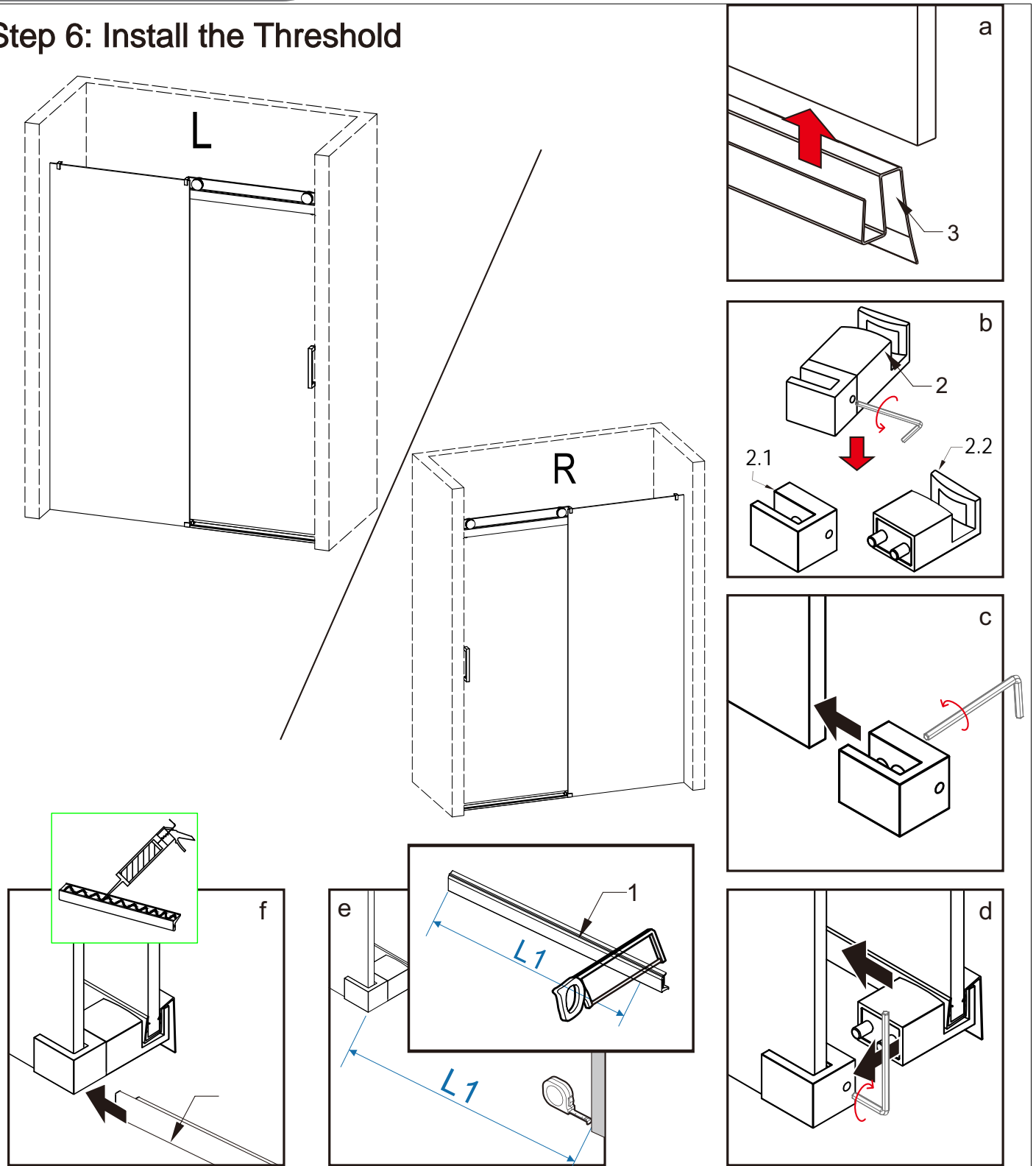


③. Hang the Sliding Glass Door [06] on the Top Rail [14].



④. Install Door Seal [4] on the wall-facing edge of the sliding glass panel. Install Sliding Panel Seal [5] on the edge facing the fixed glass panel.

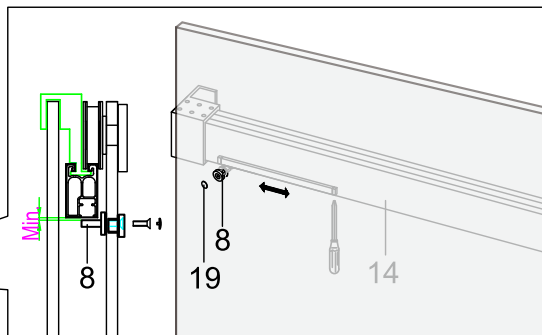
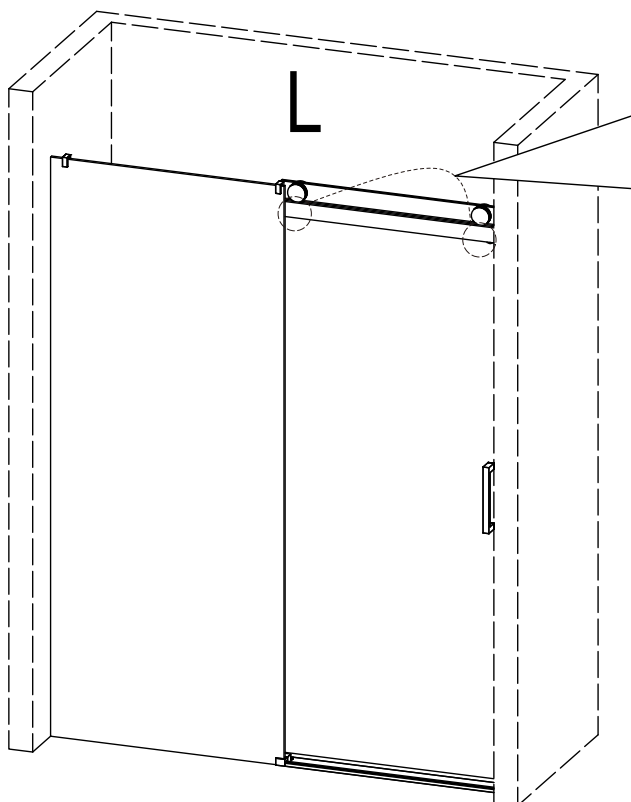
Step 6: Install the Threshold



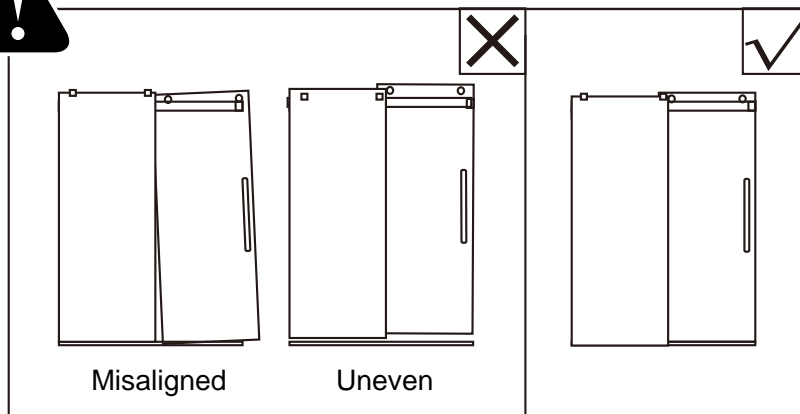
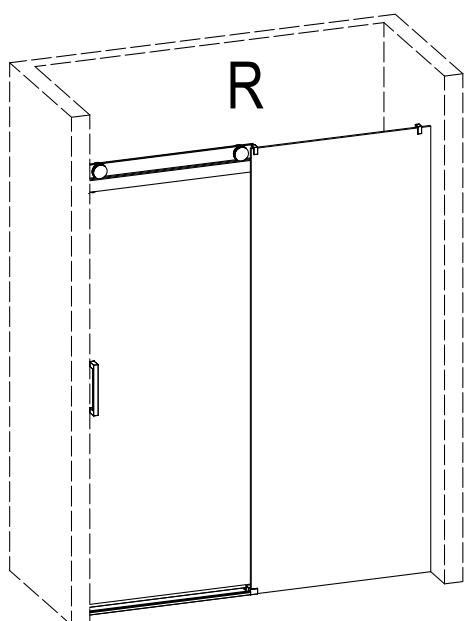
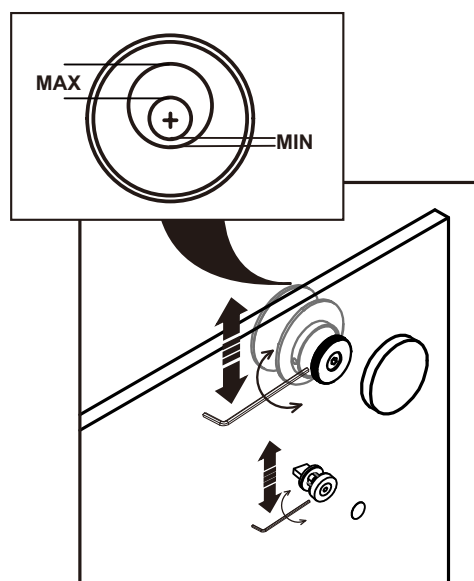
- ❶. Insert the Lower Cross Tape [3] into the bottom of the sliding door.
- ❷. Disassemble Guide Block [2].
- ❸. Clamp the Piece [2.1] onto the fixed glass and secure it with a hex wrench.
- ❹. Slide the Piece [2.2] onto the bottom edge of the sliding glass panel. Then attach Piece [2.2] to [2.1] and tighten them together using a hex wrench.
- ❺. Measure guide block to the wall (L1). Cut Anti-splash Threshold [1] to length L1 if needed.
- ❻. Apply silicone sealant to the bottom of Anti-splash Threshold [1] and place it next to the Guide Block [2].

DOOR ASSEMBLY

Step 7: Align the Shower Door



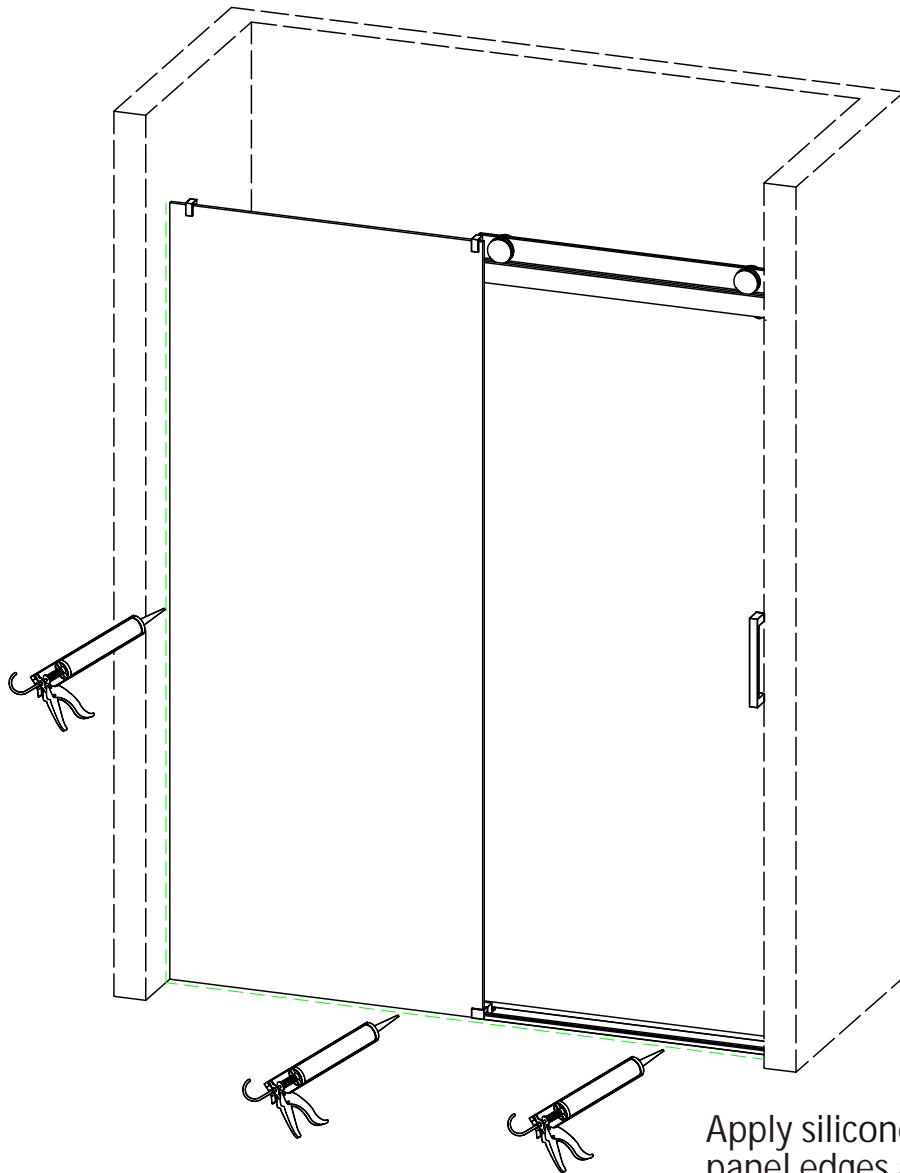
①. Install **Anti-jumping Knobs [8]** on the sliding door panel to ensure the door moves smoothly and stays close to the wall.



②. By adjusting the eccentric pieces of **Rollers [15]** and **Anti-jumping Knobs [8]**, ensure the glass panel is perpendicular to the floor and the door seals are parallel to the wall.

DOOR ASSEMBLY

Step 8: Door Seal



Apply silicone sealant along the panel edges and floor-to-wall joints (indicated by the dotted line).

MUST ALLOW SILICONE TO DRY FOR 24 HOURS BEFORE USING THE SHOWER DOOR