

# HDPE PORCH SWING

Assembly Instructions

A046-005-001



email: [poly@homeselecting.com](mailto:poly@homeselecting.com)

**Important -Please read these instructions fully before starting assembly**

## HASSLE-FREE WARRANTY

We stand behind the quality of our products. If you have any questions, please send an email.



660 LBS CAPACITY



1 PERSON ASSEMBLY



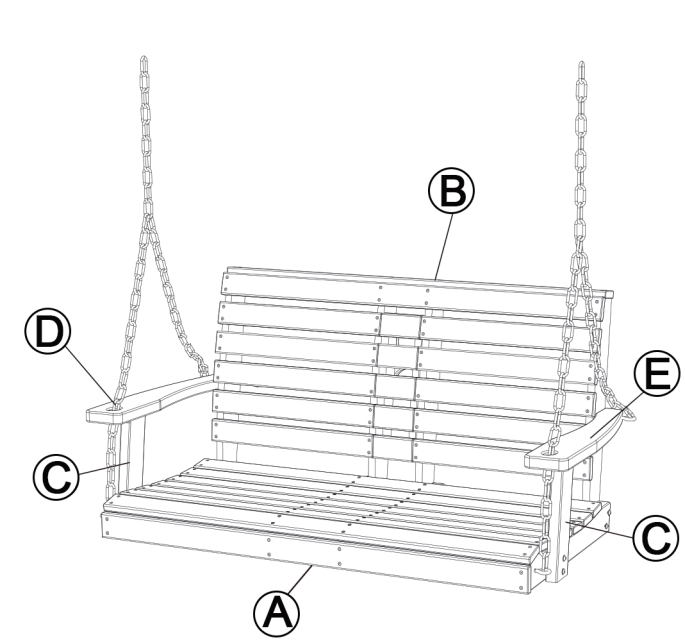
AROUND 25 MIN ASSEMBLY

If you need help or have damaged or missing parts, please email: [poly@homeselecting.com](mailto:poly@homeselecting.com)

Components

Please check you have all the components listed below.

Note: The illustration of the product shows the exact position of each part. Check when assembling.



No.	Description	Qty.
A	Seat	1
B	Back	1
C	Side Frame	2
D	Right Arm	1
E	Left Arm	1

## Hardware & Tools

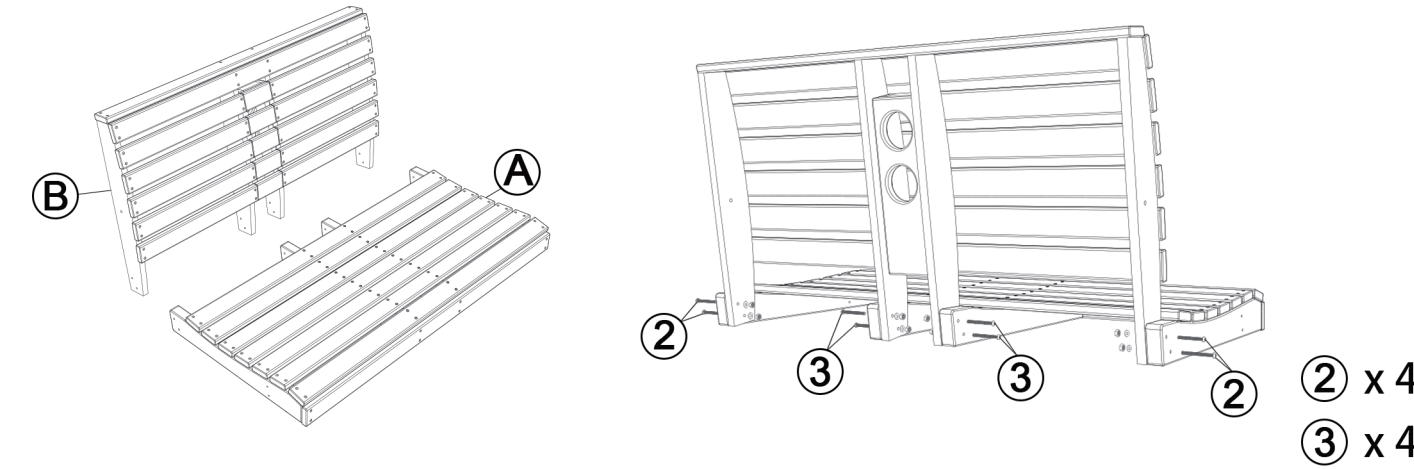
Note: The quantities below are the correct amount to complete the assembly. In some cases more fittings may be supplied than required.

① x 4	② x 4	③ x 4	④ x 4
M6 x 70MM & Washer & Nut	M6 x 60MM & Washer & Nut	M6 x 50MM & Washer & Nut	M6 x 40MM Bolts
⑤ x 2	⑥ x 2	⑦ 1pc	⑧ 1pc
M8 x 90MM & Washer & Nut	M8 x 50MM & Washer & Nut	M6 Wrench	M8 Wrench
⑨ 1pc	⑩ x 2		
Hex Key	Metal Chain		

If you need help or have damaged or missing parts, please email: [poly@homeselecting.com](mailto:poly@homeselecting.com)

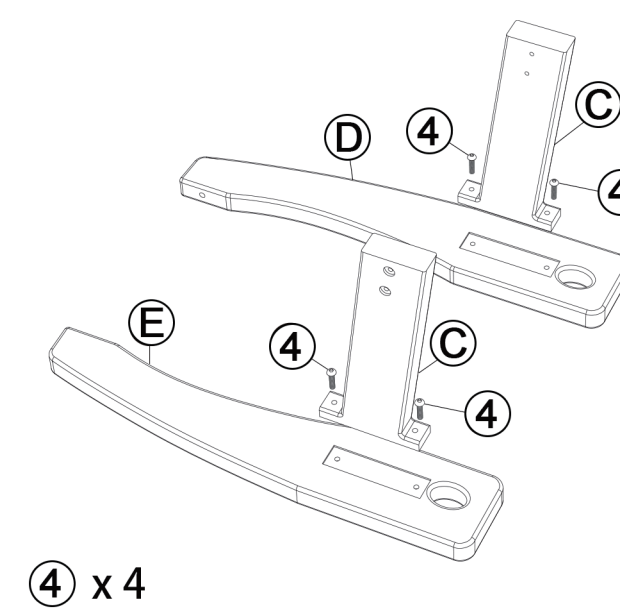
Assembly Instructions

**Caution:** Please do not over-tighten bolts and screws during assembly.



### STEP 1

● Attach "Back (B)" to "Seat (A)" - Using "② M6 x 60MM Bolts" and "③ M6 x 50MM Bolts", tighten with hex key and wrench.

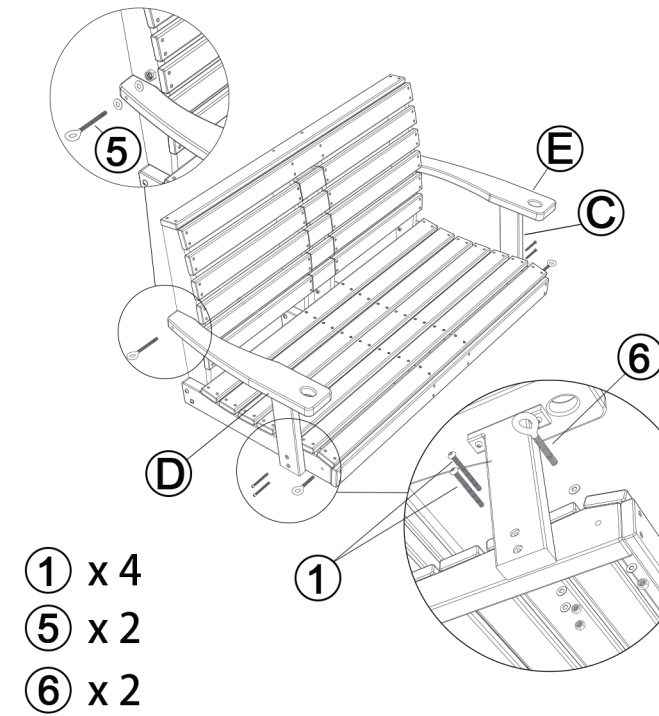


④ x 4

If you need help or have damaged or missing parts, please email: [poly@homeselecting.com](mailto:poly@homeselecting.com)

Assembly Instructions

**Caution:** Please do not over-tighten bolts and screws during assembly.



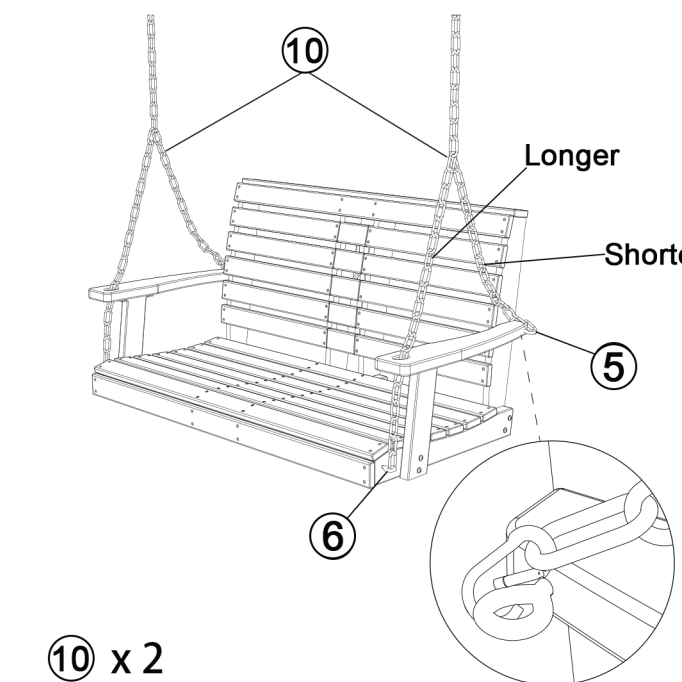
① x 4  
⑤ x 2  
⑥ x 2

### STEP 3

● Attach "Arms (D/E)" to "Back (B)" - Using "⑤ M8 x 90MM Bolts", tighten with wrench

● Attach "Side Frame (C)" to "Seat (A)" - Using "① M6 x 70MM Bolts", tighten with Hex key.

● Attach "⑥ M8 x 50MM Bolts" to "Seat (A)", tighten with wrench.



⑩ x 2

### STEP 4

● Attach the "Metal Chain" to the swing chair.

● The longer chain should go through the hole on the arm, then connect the carabiner to the "⑥ M8 x 50MM Bolts".

● Connect the carabiner on the shorter chain to the "⑤ M8 x 90MM Bolts".

If you need help or have damaged or missing parts, please email: [poly@homeselecting.com](mailto:poly@homeselecting.com)

Warnings

**Important -Please read these instructions fully before starting assembly**

Check you have all the components and tools listed on the page 2.

Remove all fittings from the plastic bags and separate them into their groups.

Keep children and animals away from the work area, small parts may cause choking if swallowed.

Make sure you have enough space to layout the parts before starting.

Assemble on a soft level surface to avoid damaging the unit or your floor.

Do not stand or put weight on the product, this could cause damage.

Assemble the item as close to its final position (in the same area) as possible.

Do not place furniture directly in front of radiators, fires, or any other source of heat.



The assembly will be easier with 2 people while 1 person could also do the job.



Refer to the LISTING page for specific installation videos.

## Cleaning & Maintenance

Clean the product with a solution of mild soap and water. Dip a soft cloth or sponge into the solution and wipe down the entire surface.

After cleaning, thoroughly rinse the furniture with water to remove any remaining soap residue.

When not in use, cover the product with a protective cover to keep it clean and prolong its lifespan.