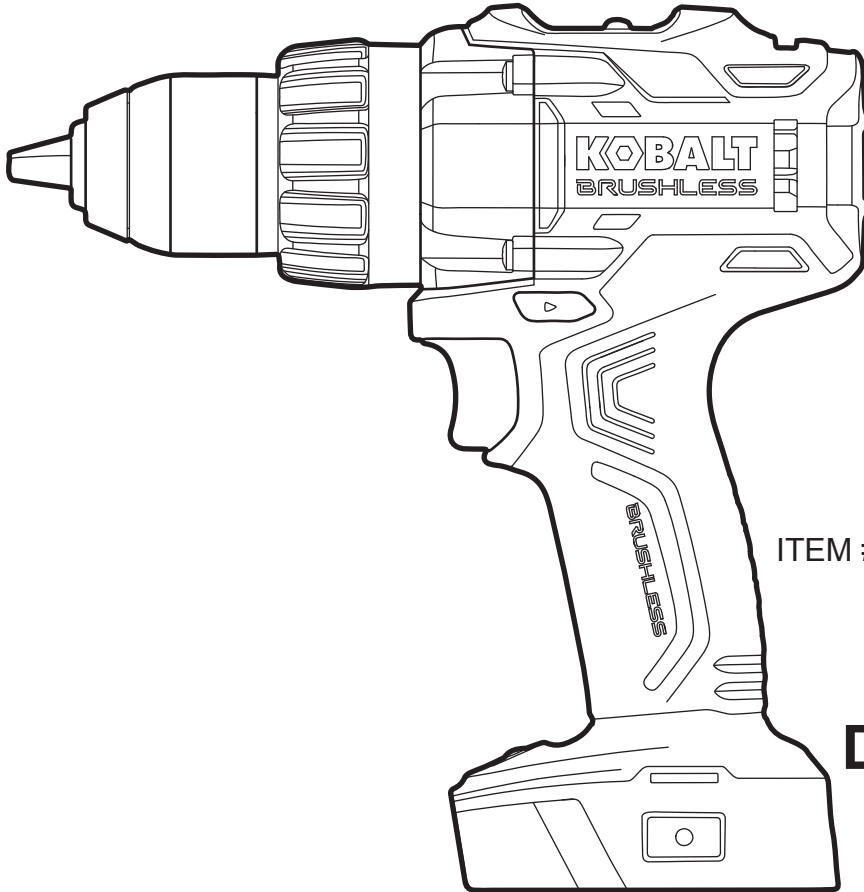


KOBALT®



ITEM #0672826/0672827/0672823

1/2 IN BRUSHLESS DRILL/DRIVER

MODEL #KDD 524B-03

KOBALT® and the K Design® are registered trademarks of LF, LLC. All Rights Reserved.

Español p. 17

ATTACH YOUR RECEIPT HERE

Serial Number _____ Purchase Date _____



Questions, problems, missing parts? Before returning to your retailer, call our customer service department at 1-888-3KOBALT (1-888-356-2258), 8 a.m. - 8 p.m., EST, Monday - Friday.

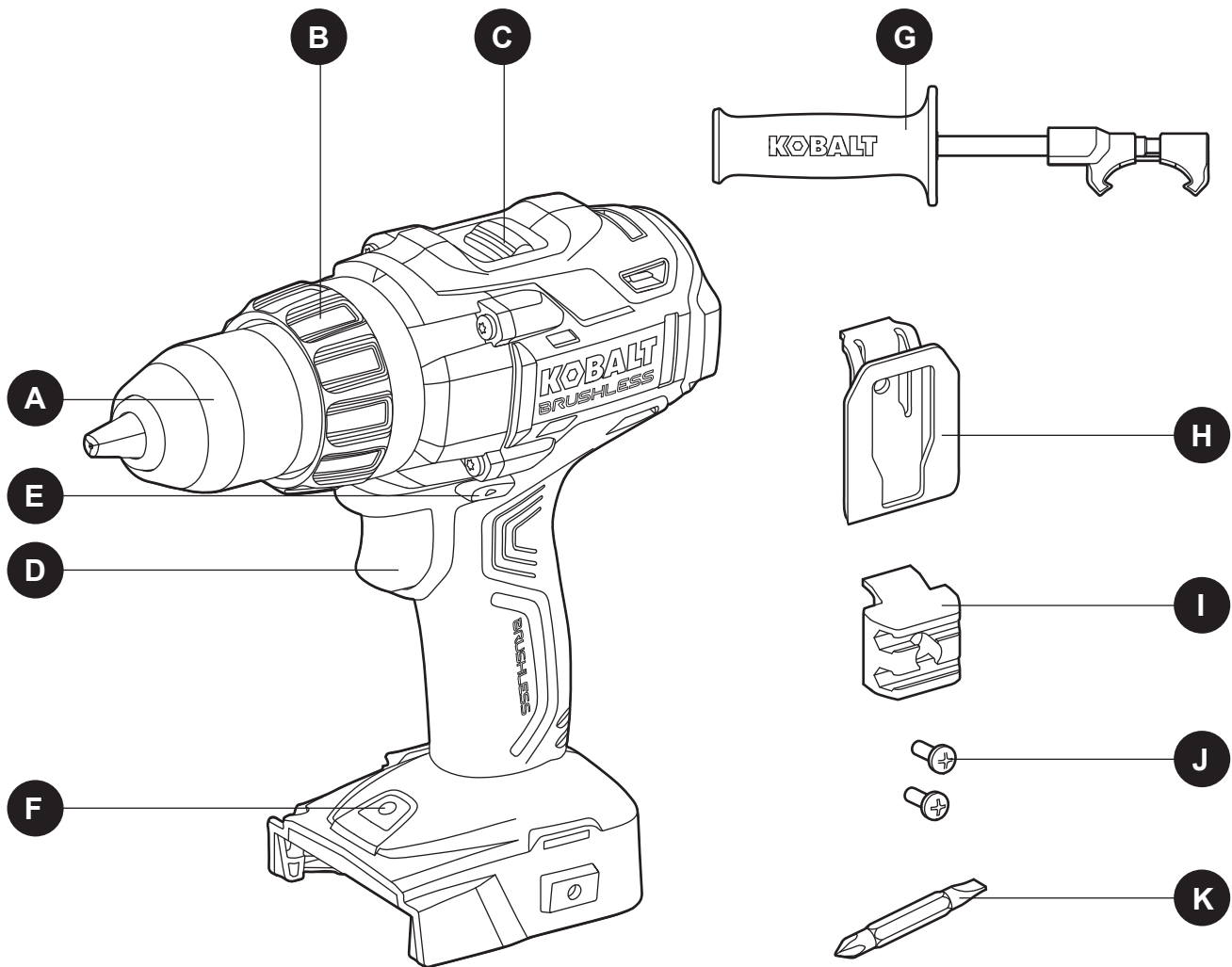
TABLE OF CONTENTS

Product Specifications	2
Package Contents	3
Safety Information	4
Preparation	7
Operating Instructions	8
Care and Maintenance	15
Troubleshooting	15
Warranty	16

PRODUCT SPECIFICATIONS

COMPONENT	SPECIFICATION
Rated voltage	24 V d.c.
No-load speed	0-550/0-2,000 RPM
Chuck capacity	1/2 in.
Maximum torque	650 in. lbs.

PACKAGE CONTENTS



PART	DESCRIPTION
A	Keyless chuck
B	Adjustable torque clutch
C	Gear selector
D	Variable-speed trigger switch
E	Direction-of-rotation selector (forward/center-lock/reverse)

PART	DESCRIPTION
F	LED work light
G	Auxiliary handle
H	Belt clip
I	Bit holder
J	Screws (2)
K	Double end bit

WARNING

- Remove the tool from the package and examine it carefully. Do not discard the carton or any packaging material until all parts have been examined.
- If any part of the tool is missing or damaged, do not attach the battery pack or use the tool until the part has been repaired or replaced. Failure to heed this warning could result in serious injury.



SAFETY INFORMATION

Please read and understand this entire manual before attempting to assemble or operate this product. If you have any questions regarding the product, please call customer service at 1-888-3KOBALT, 8 a.m. - 8 p.m., EST, Monday - Friday.



WARNING

- The operation of any power tool can result in foreign objects being thrown into your eyes, which can result in severe eye damage. Before beginning power-tool operation, always wear safety goggles or safety glasses with side shields and a full-face shield, when needed. We recommend using a wide vision safety mask over eyeglasses or standard safety glasses with shields. Always use eye protection marked to comply with ANSI Z87.1.
- Some dust created by power sanding, sawing, grinding, drilling, and other construction activities contains chemicals known to the state of California to cause cancer, birth defects, or other reproductive harm. Some examples of these chemicals are:
 - Lead from lead-based paints
 - Crystalline silica from bricks, cement, and other masonry products
 - Arsenic and chromium from chemically-treated lumber
- Your risk from these exposures varies, depending upon how often you do this type of work. To reduce your exposure to these chemicals:
 - Work in a well-ventilated area.
 - Work with approved safety equipment, such as dust masks that are specially designed to filter out microscopic particles.
 - Avoid prolonged contact with dust from power sanding, sawing, grinding, drilling, and other construction activities. Wear protective clothing and wash exposed areas with soap and water. Allowing dust to get into your mouth or eyes or to lie on the skin may promote absorption of harmful chemicals.

Know the Tool

To operate this tool, carefully read this manual and all labels affixed to the tool before using it. Keep this manual available for future reference.

Important

This tool should be serviced only by a qualified service technician.

Read All Instructions Thoroughly



SAFETY INFORMATION

Some of the following symbols may be used on this tool. Please study them and their meaning. Proper interpretation of these symbols will allow you to operate the tool better and more safely.

SYMBOL	DEFINITION	SYMBOL	DEFINITION
V	Volts	n_0	No-load Speed
A	Amps	/min	Revolutions or Strokes per Minute
Hz	Hertz		Direct Current
W	Watts		Alternating Current

General Power Tool Safety Warnings



WARNING

- **Read all safety warnings and all instructions.** Failure to follow the warnings and instructions may result in electric shock, fire and/or serious injury.

Save all warnings and instructions for future reference

The term “power tool” in the warnings refers to your mains-operated (corded) power tool or battery-operated (cordless) power tool.

Work Area Safety

- **Keep work area clean and well lit.** Cluttered or dark areas invite accidents.
- **Do not operate power tools in explosive atmospheres, such as in the presence of flammable liquids, gases or dust.** Power tools create sparks, which may ignite the dust or fumes.
- **Keep children and bystanders away while operating a power tool.** Distractions can cause you to lose control.

Electrical Safety

- **Power tool plugs must match the outlet. Never modify the plug in any way. Do not use any adaptor plugs with earthed (grounded) power tools.** Unmodified plugs and matching outlets will reduce the risk of electric shock.
- **Avoid body contact with earthed or grounded surfaces such as pipes, radiators, ranges and refrigerators.** There is an increased risk of electric shock if your body is earthed or grounded.
- **Do not expose power tools to rain or wet conditions.** Water entering a power tool will increase the risk of electric shock.
- **Do not abuse the cord. Never use the cord for carrying, pulling or unplugging the power tool. Keep cord away from heat, oil, sharp edges or moving parts.** Damaged or entangled cords increase the risk of electric shock.



SAFETY INFORMATION

- **When operating a power tool outdoors, use an extension cord suitable for outdoor use.** Use of a cord suitable for outdoor use reduces the risk of electric shock.
- **If operating a power tool in a damp location is unavoidable, use a ground-fault circuit interrupter (GFCI) protected supply.** Use of a GFCI reduces the risk of electric shock.

Personal Safety

- **Stay alert, watch what you are doing and use common sense when operating a power tool. Do not use a power tool while you are tired or under the influence of drugs, alcohol or medication.** A moment of inattention while operating power tools may result in serious personal injury.
- **Use personal protective equipment. Always wear eye protection.** Protective equipment such as dust mask, non-skid safety shoes, hard hat, or hearing protection, used for appropriate conditions, will reduce personal injuries.
- **Prevent unintentional starting. Ensure the switch is in the off-position before connecting to power source and/or battery pack, picking up or carrying the tool.** Carrying power tools with your finger on the switch or energizing power tools that have the switch on invites accidents.
- **Remove any adjusting key or wrench before turning the power tool on.** A wrench or a key left attached to a rotating part of the power tool may result in personal injury.
- **Do not overreach. Keep proper footing and balance at all times.** This enables better control of the power tool in unexpected situations.
- **Dress properly. Do not wear loose clothing or jewelry. Keep your hair, clothing and gloves away from moving parts.** Loose clothes, jewelry or long hair can be caught in moving parts.
- **If devices are provided for the connection of dust extraction and collection facilities, ensure that these are connected and properly used.** Use of these devices can reduce dust-related hazards.

Power Tool Use and Care

- **Do not force the power tool. Use the correct power tool for your application.** The correct power tool will do the job better and safer at the rate for which it was designed.
- **Do not use the power tool if the switch does not turn it on and off.** Any power tool that cannot be controlled with the switch is dangerous and must be repaired.
- **Disconnect the plug from the power source and/or the battery pack from the power tool before making any adjustments, changing accessories, or storing power tools.** Such preventive safety measures reduce the risk of starting the power tool accidentally.
- **Store idle power tools out of the reach of children and do not allow persons unfamiliar with the power tool or these instructions to operate the power tool.** Power tools are dangerous in the hands of untrained users.
- **Maintain power tools. Check for misalignment or binding of moving parts, breakage of parts and any other condition that may affect the power tool's operation. If damaged, have the power tool repaired before use.** Many accidents are caused by poorly maintained power tools.
- **Keep cutting tools sharp and clean.** Properly maintained cutting tools with sharp cutting edges are less likely to bind and are easier to control.
- **Use the power tool, accessories, tool bits, etc., in accordance with these instructions, taking into account the working conditions and the work to be performed.** Use of the power tool for operations different from those intended could result in a hazardous situation.



SAFETY INFORMATION

Battery Tool Use and Care

- **Recharge only with the charger specified by the manufacturer.** A charger that is suitable for one type of battery pack may create a risk of fire when used with another battery pack.
- **Use power tools only with specifically designated battery packs.** Use of any other battery packs may create a risk of injury and fire.
- **When battery pack is not in use, keep it away from other metal objects like paper clips, coins, keys, nails, screws or other small metal objects that can make a connection from one terminal to another.** Shorting the battery terminals together may cause burns or a fire.
- **Under abusive conditions, liquid may be ejected from the battery; avoid contact. If contact accidentally occurs, flush with water. If liquid contacts eyes, additionally seek medical help.** Liquid ejected from the battery may cause irritation or burns.

Service

- **Have your power tool serviced by a qualified repair person using only identical replacement parts.** This will ensure that the safety of the power tool is maintained.

Specific Safety Warnings for Drill/Driver

- **Use auxiliary handle(s) if supplied with the tool.** Loss of control can cause personal injury.
- **Hold power tools by insulated gripping surfaces when performing an operation where the cutting accessory may contact hidden wiring or its own cord.** Cutting accessory contacting a “live” wire may make exposed metal parts of the power tool “live” and could give the operator an electric shock.
- Secure the work piece. Clamping devices or a vise will hold the work piece in place better and more safely than holding it by hand.
- Always wait until the machine has come to a complete stop before placing it down. The tool insert can jam and lead to loss of control over the power tool.
- When working with the power tool, always hold it firmly with both hands and assume a secure stance. The power tool is guided more securely with both hands.

PREPARATION

Know Your Drill/Driver

Before attempting to use the drill/driver, familiarize yourself with all of its operating features and safety requirements.

Helpful tool (not included): Phillips screwdriver.



WARNING

- Do not allow familiarity with the drill/driver to cause carelessness. Remember that one careless moment is enough to cause severe injury. Before attempting to use any tool, be sure to become familiar with all of the operating features and safety instructions.
- Do not attempt to modify this tool or create accessories not recommended for use with this tool. Any such alteration or modification is misuse and could result in a hazardous condition leading to possible serious personal injury.

OPERATING INSTRUCTIONS

1. Battery Pack

To Attach Battery Pack

- Place the direction-of-rotation selector (E) in the center lock position.
- Align the raised portion on the battery pack with the grooves on the bottom of the tool, then slide the battery pack onto the tool as shown.
- Make sure that the latch on the battery pack snaps into place and the battery pack is secured to the tool before beginning operation.

NOTICE: When placing the battery pack on the tool, be sure that the raised rib on battery pack aligns with the groove on the tool and the latches snap into place properly. Improper assembly of the battery pack can cause damage to internal components.

To Detach Battery Pack

- Place the direction-of-rotation selector (E) in the center lock position.
- Press the battery-release buttons to release the battery pack.
- Pull forward on the battery pack to remove it from the tool.

WARNING

- Battery tools are always in operating condition. Therefore, the direction-of-rotation selector (E) should always be locked (center) when the tool is not in use or when carrying the tool at your side.

2. Variable-speed Trigger Switch

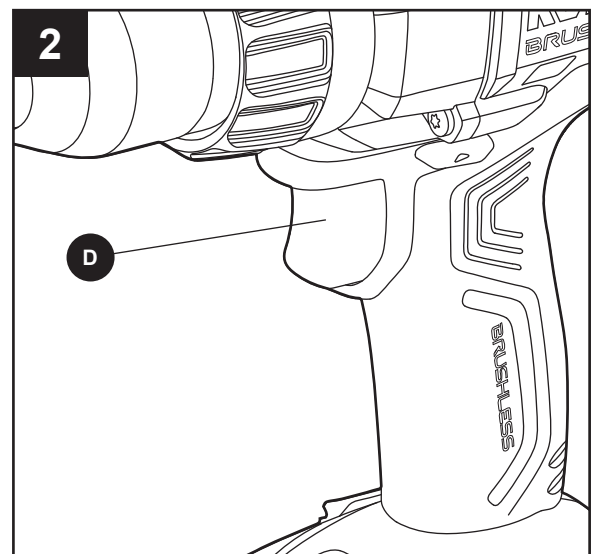
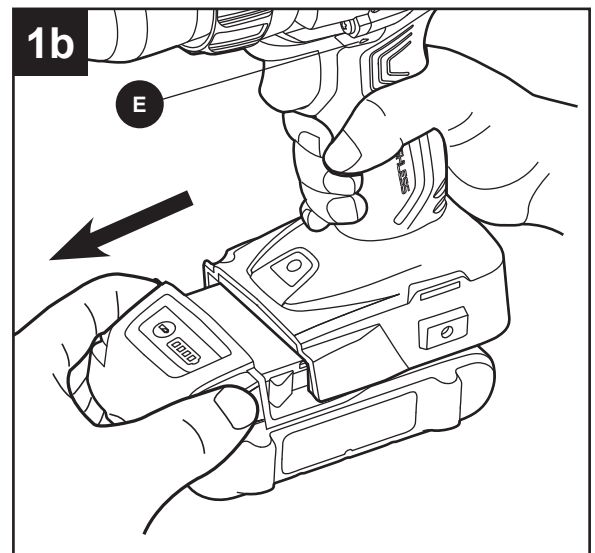
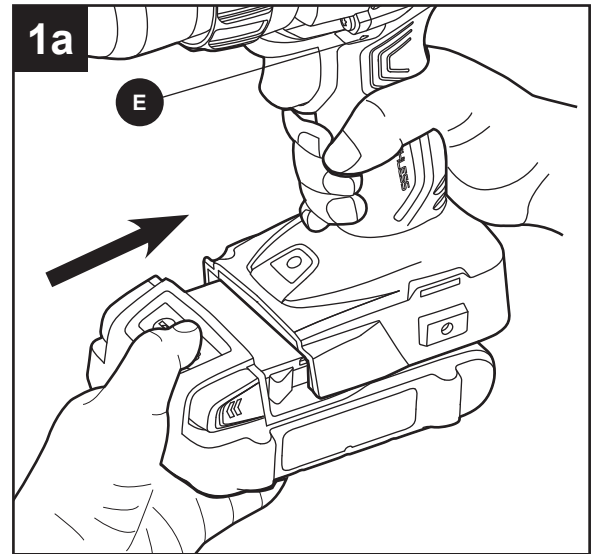
- To turn the drill/driver ON, depress the trigger switch (D).
- To turn it OFF, release the trigger switch.

Variable Speed

The variable-speed trigger switch delivers higher speed with increased trigger pressure and lower speed with decreased trigger pressure.

Electric Brake

The drill/driver is equipped with an electric brake. When the trigger switch is released, the electric brake engages automatically to quickly stop rotation.



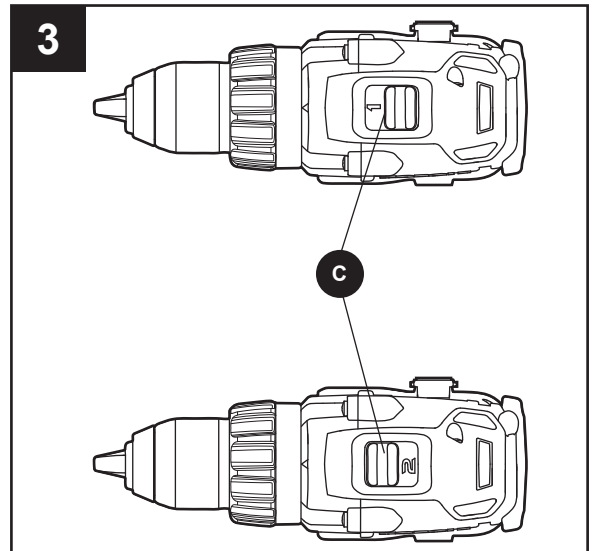
OPERATING INSTRUCTIONS

3. Two-Speed Gear Box

The drill/driver has a two-speed gear box designed for drilling or driving at two different variable-speed ranges. The gear selector (C) is located on the top of the drill/driver, allowing you to select either 1 (Low) speed range or 2 (High) speed range.

- Setting 1 will deliver lower speeds and increased power and torque. Use setting 1 for heavy-duty work or driving screws.
- Setting 2 will deliver higher speeds and reduced power and torque. Use setting 2 for drilling wood and wood composites and for using abrasive and polishing accessories.

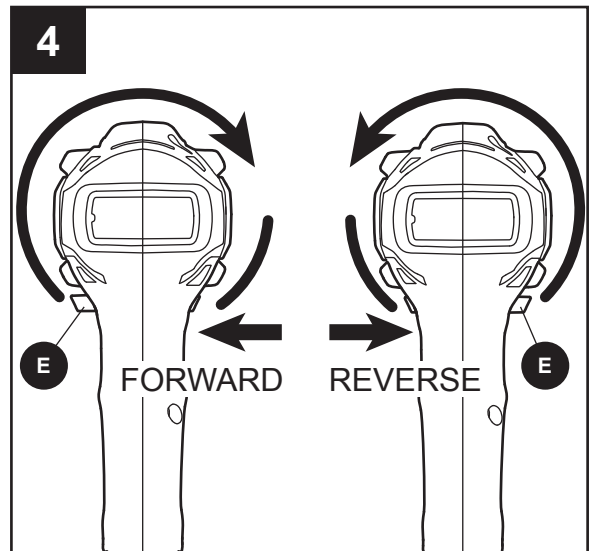
NOTICE: Never change gears while the tool is running. Failure to obey this caution could result in serious damage to the drill/driver.



4. Direction-of-Rotation Selector (Forward/Center Lock/Reverse)

The direction of bit rotation is reversible and is controlled by a selector located above the trigger switch (D). With the drill/driver held in the normal operating position, pointing away from you:

- Position the direction-of-rotation selector (E) to the left of the tool for forward rotation.
- Position the direction-of-rotation selector to the right of the tool for reverse rotation.
- Setting the selector in the center (lock) position helps reduce the possibility of accidental starting when not in use.



NOTICE: To prevent gear damage, always allow the drill/driver to come to a complete stop before changing the direction of rotation.

NOTICE: The drill/driver will not run unless the direction-of-rotation selector is engaged fully to the left or right.

OPERATING INSTRUCTIONS

5. LED Work Light

The LED worklight (F), located on the base of the drill/driver, will illuminate when the trigger switch is depressed. This provides additional light on the surface of the work piece for operation in lower-light areas.

The LED work light will turn off after the trigger switch is released.

- a. The LED worklight will blink rapidly if the tool has stopped working in order to protect internal circuits; please wait for the tool to cool down, at which point it can be started again.
- b. The LED worklight will blink slowly to indicate that the battery charge is very low.

6. Keyless Chuck


The drill/driver has a keyless chuck (A) to tighten or release drill bits in the chuck jaws. The arrows on the chuck indicate the direction in which to rotate the chuck body in order to GRIP (tighten) or OPEN (release) the chuck jaws on the drill bit.

7. Adjustable Torque Clutch

The torque clutch can be adjusted to 23 driving settings and 1 drilling setting.

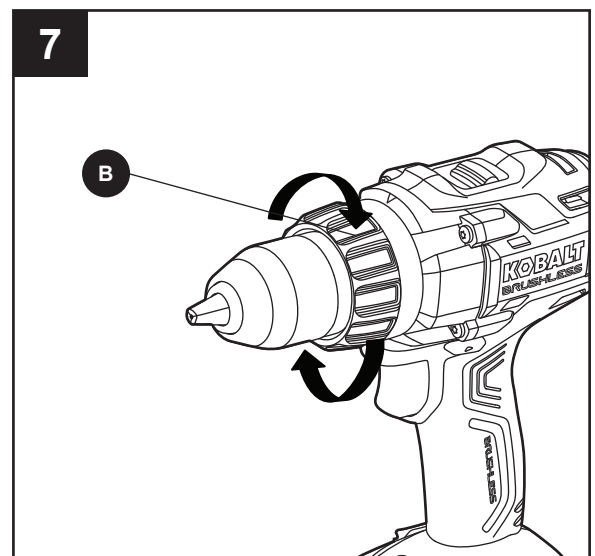
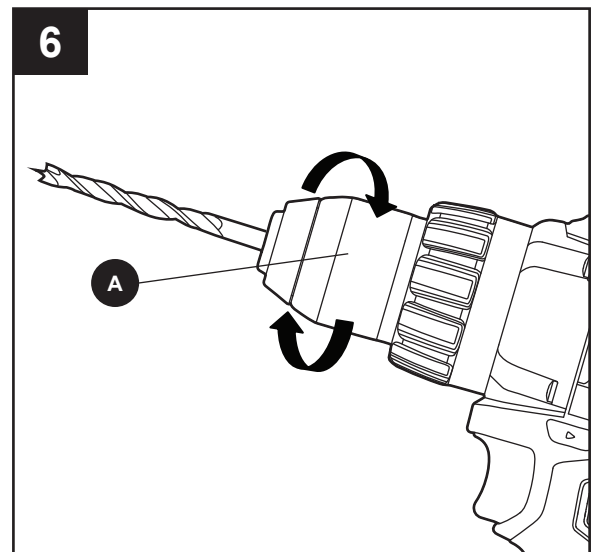
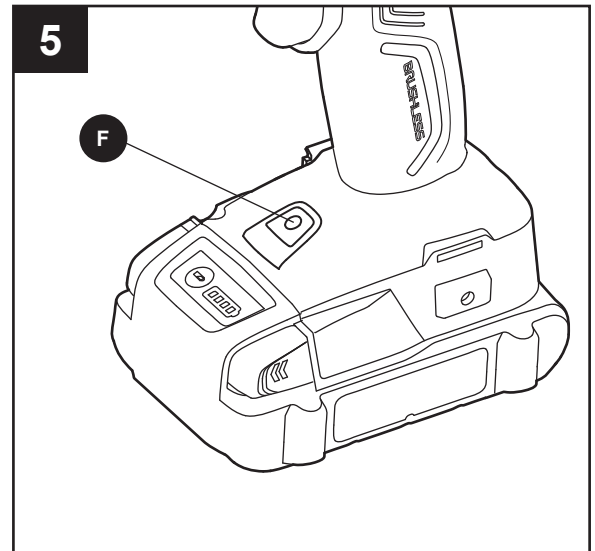
Adjust the torque by rotating the torque clutch (B). The higher the torque setting, the more force the drill/driver produces to turn an object.

The proper setting depends on the job and the type of bit, fastener, and material you will be using. In general, use greater torque for larger screws. If the torque is too high, the screws may be damaged or broken.

Select the drill mode  for drilling and other heavy-duty applications.

CAUTION

- Do not change the torque setting when the tool is running.



OPERATING INSTRUCTIONS

8. Installing and Removing the Belt Clip

- Align the rib of the belt clip (H) with the hole on the base of the driver.
- Insert the screw (J) and tighten the screw securely with a Phillips screwdriver (not included).
- To remove the belt clip, use a Phillips screwdriver to loosen the screw holding the belt clip to the driver.

9. Installing and Removing the Bit Holder

- Align the rib of the bit holder (I) with the hole on the base of the impact driver.
- Insert the screw (J) and tighten the screw securely with a Phillips screwdriver (not included).
- To remove the bit holder, use a Phillips screwdriver to loosen the screw holding the bit holder to the driver.

10. Auxiliary Handle

This drill/driver is equipped with an auxiliary handle (G). For ease of operation, you can use the handle with either the left or the right hand. The handle can be rotated 90° and locked in any of three positions.

To install the auxiliary handle:

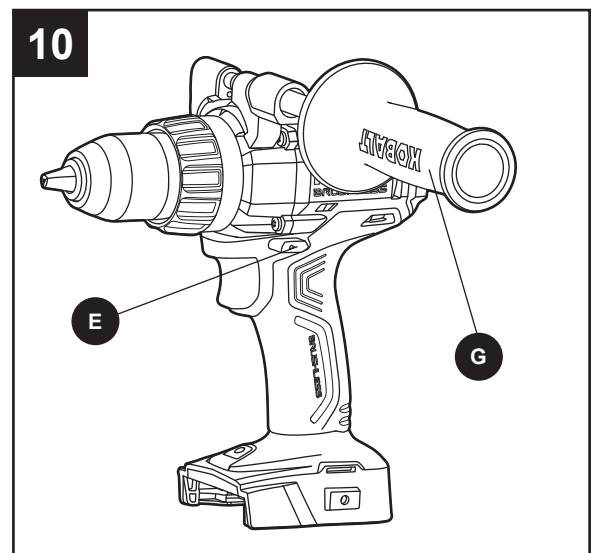
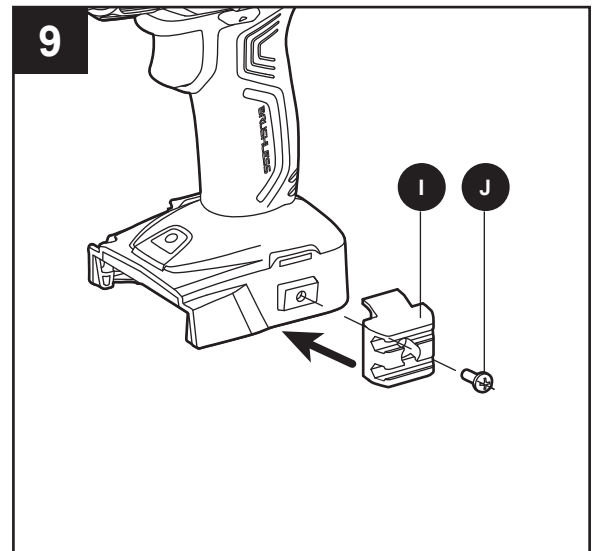
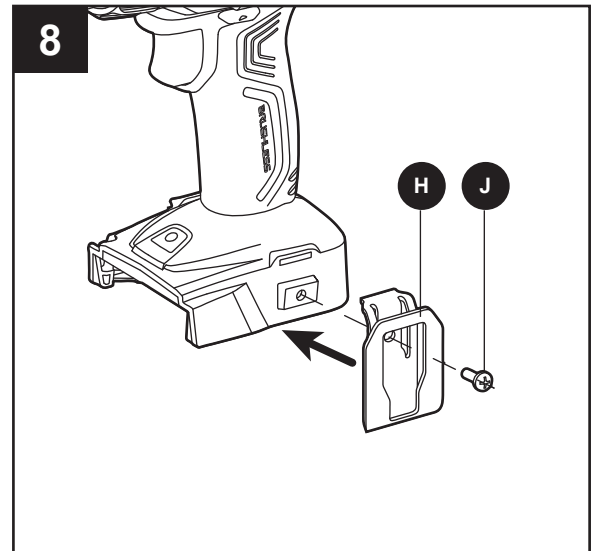
- Place the direction-of-rotation selector (E) in the center lock position.
- Loosen the auxiliary handle by turning the handle counterclockwise.
- Align the raised portion on the auxiliary handle with the grooves on gear box of the drill/driver, then slide the auxiliary handle onto the tool as shown.
- Hand-tighten the handle by turning the handle clockwise.

To remove the auxiliary handle:

- Place the direction-of-rotation selector (E) in the center lock position.
- Loosen the auxiliary handle by turning the handle counterclockwise.
- Remove the auxiliary handle from the tool.

WARNING

- For safety and ease of operation, securely tighten the auxiliary handle by turning the handle clockwise before every use.



OPERATING INSTRUCTIONS

11. Bits

Installing Bits

- Place the direction-of-rotation selector (E) in the center lock position.
- Open or close the chuck jaws to a point where the opening is slightly larger than the shank of the bit you intend to use.
- Insert the bit.
- Tighten the chuck jaws securely on the bit.

NOTICE: Rotate the chuck body in the direction of the arrow marked GRIP to close the chuck jaws. Do not use a wrench to tighten or loosen the chuck jaws.

WARNING

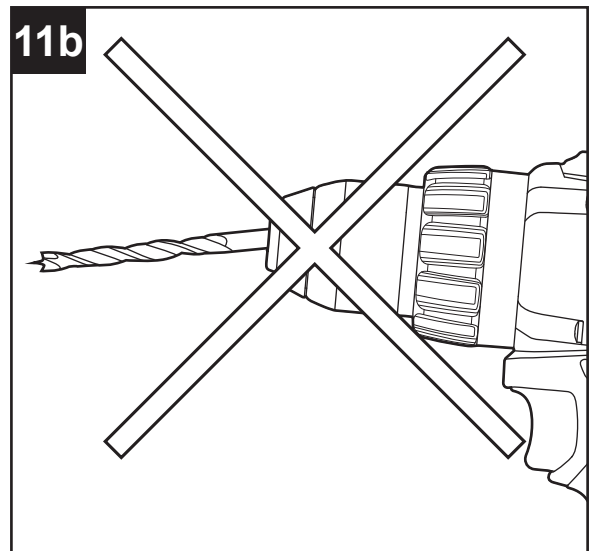
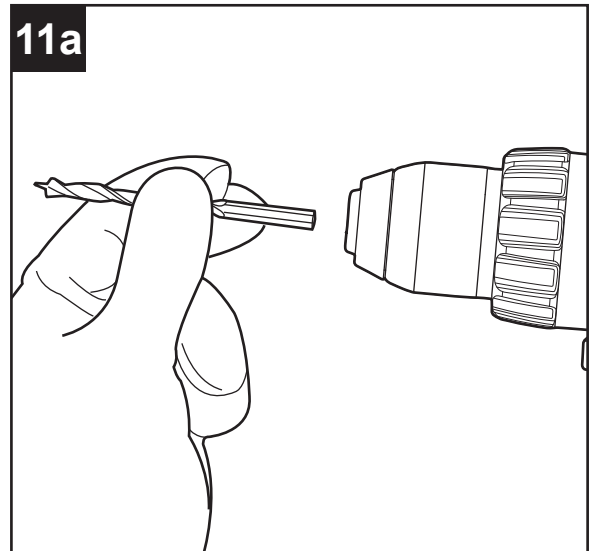
- Make sure to insert the drill bit straight into the chuck jaws. Do not insert the drill bit into the chuck jaws at an angle and then tighten the chuck as shown in Fig. 9b. This could cause the drill bit to be thrown from the drill/driver, resulting in possibly serious personal injury or damage to the chuck.

Removing Bits

- Place the direction-of-rotation selector (E) in the center lock position.
- Open the chuck jaws.
- Remove the drill bit.

WARNING

- Do not hold the chuck body with one hand and use the power of the drill/driver to tighten or loosen the chuck jaws on the drill bit. The chuck body could slip in your hand, or your hand could slip and come in contact with the rotating bit. This could cause an accident resulting in serious personal injury.

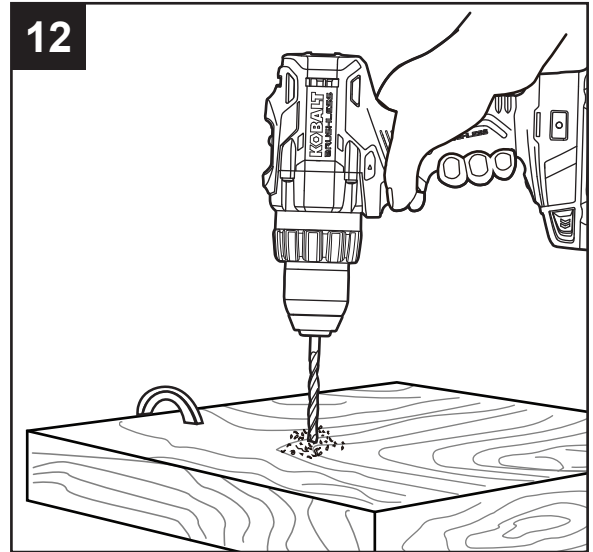


OPERATING INSTRUCTIONS

12. Drilling

WARNING

- Always wear safety goggles or safety glasses with side shields during power tool operation or when blowing dust. If operation is dusty, also wear a dust mask.
- a. Check the direction-of-rotation selector (E) for the correct setting (forward or reverse).
 - b. Secure the material to be drilled in a vise or with clamps to keep it from turning as the drill bit rotates.
 - c. Hold the drill/driver firmly and place the bit at the point to be drilled.
 - d. Depress the variable-speed trigger switch (D) to start the drill/driver.
 - e. Move the drill bit into the work piece, applying only enough pressure to keep the bit drilling. Do not force the drill/driver or apply side pressure to elongate a hole. Let the tool do the work.
 - f. When drilling hard, smooth surfaces, use a center punch (sold separately) to mark the desired location of the hole. This will prevent the drill bit from slipping off center as the hole is started.
 - g. If the bit jams in the work piece or if the drill/driver stalls, stop the tool immediately. Remove the bit from the work piece and determine the reason for jamming.
 - h. To stop the drill/driver, release the variable speed trigger switch and allow the tool to come to a complete stop.



Wood Drilling

- a. For maximum performance, use high-speed steel or brad-point bits for drilling wood.
- b. Begin drilling at a very low speed to prevent the bit from slipping off the starting point.
- c. Increase speed as the drill bit bites into the material.
- d. When drilling “through” holes, place a block of wood behind the work piece to prevent ragged or splintered edges on the back side of the hole.

Metal Drilling

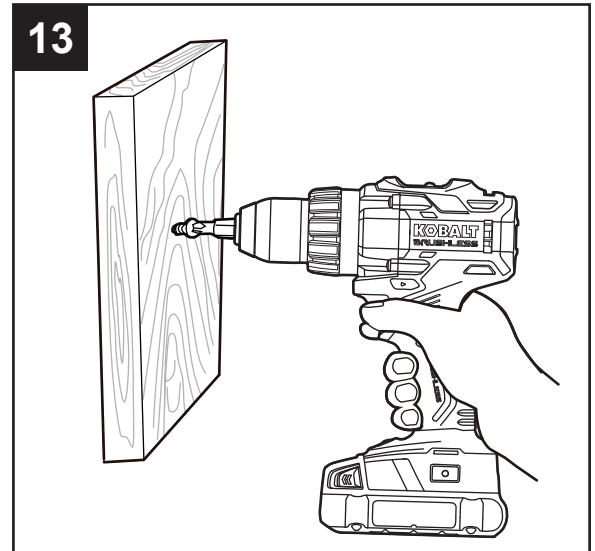
- a. For maximum performance, use high-speed steel bits for drilling metal or steel.
- b. When drilling metals, use light oil on the drill bit to keep it from overheating. The oil will prolong the life of the bit and increase the drilling action.
- c. Begin drilling at a very low speed to prevent the bit from slipping off the starting point.
- d. Maintain a speed and pressure which will allow cutting without overheating the bit. Applying too much pressure will:
 - Overheat the drill/driver.
 - Wear the bearings.
 - Bend or burn bits.
 - Produce off-center or irregularly-shaped holes.

OPERATING INSTRUCTIONS

13. Screw Driving

Try to use standard-type screws for easy driving and improved grip.

- a. Install the correct driver bit.
- b. Ensure that the torque-adjustment ring is set to the most suitable setting. If in doubt, start with a low setting and gradually increase the setting as necessary. Do not change the torque setting when the tool is running.
- c. Use the correct speed range for the job and initially apply minimal pressure to the variable-speed trigger switch. Increase the speed only when full control can be maintained.
- d. It is advisable to drill a pilot hole first. This hole should be slightly longer than the screw to be driven and just smaller than the shank diameter of the screw. The pilot hole will act as a guide for the screw and will also make tightening the screw less difficult. When screws are positioned close to an edge of the material, a pilot hole will also help to prevent splitting of the wood.
- e. Use a countersinking bit (sold separately) to accommodate the screw head so that it does not protrude from the surface.
- f. Keep sufficient pressure on the drill to prevent the bit turning out of the screw head. The screw head can easily become damaged, making it difficult to drive home or remove.
- g. To stop the drill/driver, release the trigger switch and allow the tool to come to a complete stop.



CARE AND MAINTENANCE

! All maintenance should only be carried out by a qualified technician.

Cleaning

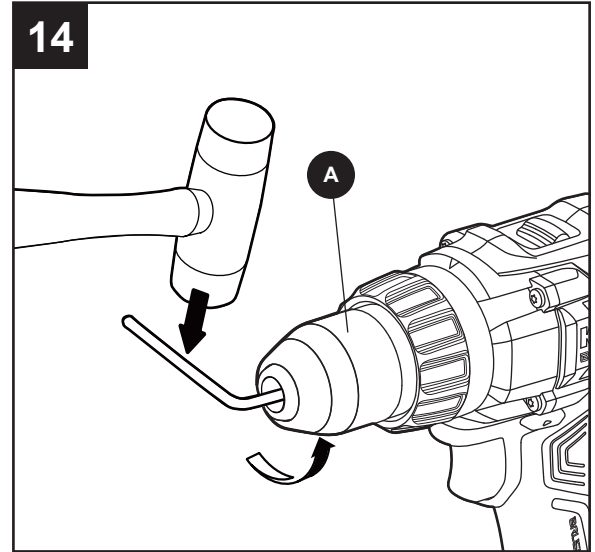
Before cleaning or performing any maintenance, remove the battery pack from the drill/driver. For safe and proper operation, always keep the tool and its ventilation slots clean.

Always use only a soft, dry cloth to clean your drill/driver. Never use detergent or alcohol.

14. Chuck Removal

The keyless chuck (A) can be removed and replaced.

- Lock the trigger switch by placing the direction-of-rotation selector (E) in the center position.
- Open the chuck jaws.
- Use a screwdriver (not included) to remove the chuck screw by turning it in a clockwise direction.
- Insert a 5/16-in. or larger hex key (not included) into the chuck of the drill/driver and securely tighten the chuck jaws around the hex key.
- Tap the hex key sharply with a mallet (not included) in a counterclockwise direction. This will loosen the chuck for easy removal.



NOTICE: The chuck screw has left-handed threads. Attach a new chuck to the spindle and tighten the chuck screw.

TROUBLESHOOTING

! WARNING

- Place the direction-of-rotation selector (E) in the center lock position and detach the battery pack from the drill/driver before performing troubleshooting procedures.

PROBLEM	POSSIBLE CAUSE	CORRECTIVE ACTION
The drill/driver does not work.	Battery pack is depleted.	Charge the battery pack.
Bit cannot be installed.	Chuck is not released.	Release the chuck.
	Bit does not fit the chuck.	Use an appropriate bit or use a suitable adaptor.
Motor overheating.	Cooling vents are obstructed.	Clean and clear vents. Do not cover vents with hand during operation.
The LED worklight blinks rapidly.	The tool has stopped working to protect internal circuits.	Release the trigger switch, wait for the tool to cool down, then and start the tool again.
The LED worklight blinks slowly.	The battery charge is very low.	Charge the battery.

WARRANTY

For 5 years from the date of purchase, the power tool is warranted and for 3 years from date of purchase the battery & charger are warranted for the original purchaser to be free from defects in material and workmanship. This guarantee does not cover damage due to abuse, normal wear, improper maintenance, neglect, unauthorized repair/alteration, or expendable parts and accessories expected to become unusable after a reasonable period of use.

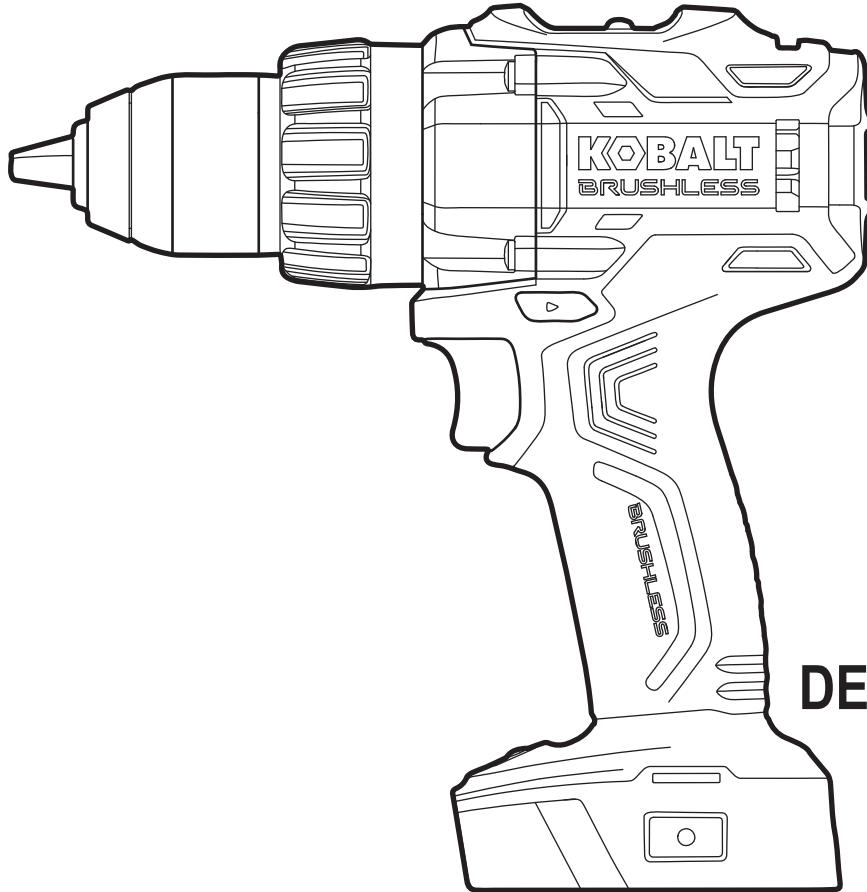
If you think your product meets the above guarantee criteria, please return it to the place of purchase with valid proof of purchase and the defective product will be repaired or replaced at no charge. This guarantee gives you specific legal rights, and you may also have other rights that vary from state to state.

Printed in China

KOBALT® and the K Design® are registered trademarks of LF, LLC. All Rights Reserved.

kobalttools.com **KOBALT**

KOBALT®



ARTÍCULO #0672826/
0672827/0672823

TALADRO/ DESTORNILLADOR SIN CEPILLO DE 1/2 PULG.

MODELO #KDD 524B-03

KOBALT® y K Design® son marcas registradas de LF, LLC. Todos los derechos reservados.

ADJUNTE SU RECIBO AQUÍ

Número de serie _____ Fecha de compra _____



¿Preguntas, problemas, piezas faltantes? Antes de volver a la tienda, llame a nuestro Departamento de Servicio al Cliente al 1-888-3KOBALT (1-888-356-2258), de lunes a viernes de 8 a.m. a 8 p.m., hora estándar del Este.

kobalttools.com **KOBALT**

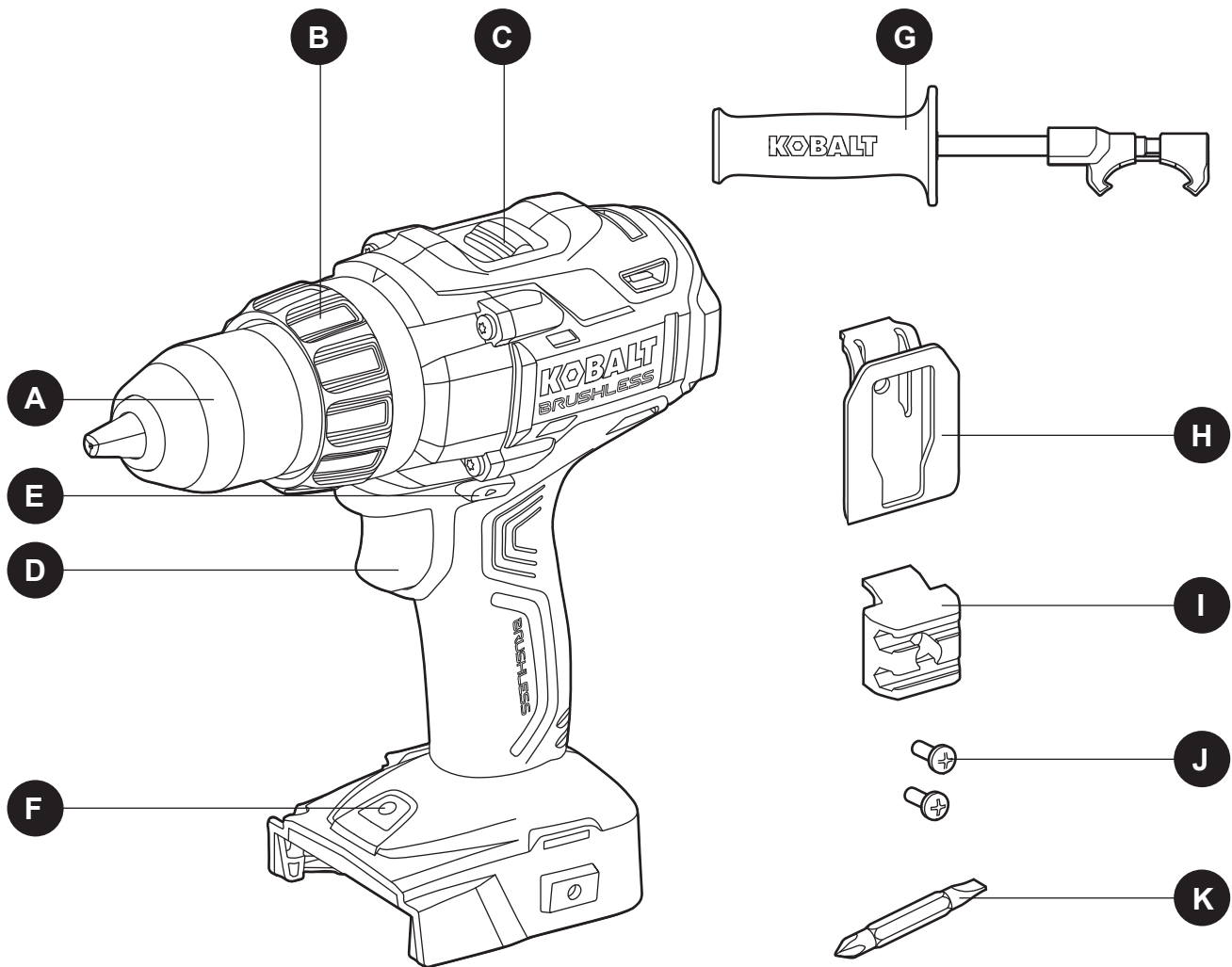
ÍNDICE

Especificaciones del producto	18
Contenido del paquete	19
Información de seguridad	20
Preparación	24
Instrucciones de funcionamiento	25
Cuidado y mantenimiento	32
Solución de problemas	33
Garantía.....	33

ESPECIFICACIONES DEL PRODUCTO

COMPONENTE	ESPECIFICACIÓN
Rango de voltaje	24 V CC
Velocidad sin carga	0-550/0-2,000 RPM
Capacidad del portabrocas	12,70 mm.
Torque máximo de	650 pies-libras

CONTENIDO DEL PAQUETE



PIEZA	DESCRIPCIÓN
A	Portabrocas sin llave
B	Embrague de torque ajustable
C	Selector de engranajes
D	Interruptor de gatillo de velocidad variable
E	Selector de dirección de rotación (hacia delante/bloqueo central/reversa)

PIEZA	DESCRIPCIÓN
F	Luz de trabajo LED
G	Manija auxiliar
H	Sujetador para cinturón
I	Soporte para brocas
J	Tornillos (2)
K	Broca de dos extremos

! ADVERTENCIA

- Retire la herramienta del paquete y examínela con cuidado. No deseche la caja ni ningún material de embalaje hasta después de examinar todas las piezas.
- Si falta alguna pieza o si alguna pieza está dañada, no coloque el paquete de baterías ni use la herramienta hasta reparar o reemplazar la pieza. El incumplimiento de esta advertencia podría provocar lesiones graves.



INFORMACIÓN DE SEGURIDAD

Lea y comprenda completamente este manual antes de intentar ensamblar u operar este producto. Si tiene preguntas relacionadas con el producto, llame al Departamento de Servicio al Cliente al 1-888-3KOBALT, de lunes a viernes de 8 a.m. a 8 p.m., hora estándar del Este.



ADVERTENCIA

- Durante el funcionamiento de cualquier herramienta eléctrica, pueden entrar objetos extraños a los ojos y causar graves daños oculares. Use siempre gafas de seguridad con protecciones laterales y, cuando sea necesario, use una máscara que cubra todo el rostro antes de comenzar a operar una herramienta eléctrica. Recomendamos usar una máscara de seguridad de visión amplia sobre los lentes o gafas de seguridad con protecciones estándar. Siempre use lentes de protección que cumplan con la norma ANSI Z87.1.
- Parte del polvo causado por el lijado eléctrico, el serruchado, la trituración, el taladro y otras actividades de construcción contiene sustancias químicas que, según el estado de California, causan cáncer, defectos congénitos u otros daños reproductivos. Algunos ejemplos de estos químicos son los siguientes:
 - Plomo de pinturas a base de plomo.
 - Sílice cristalina de ladrillo, cemento y otros productos de mampostería.
 - Arsénico y cromo de madera tratada con sustancias químicas.
- El riesgo que corre debido a la exposición a estos químicos varía según la frecuencia con que realiza este tipo de trabajo. Para disminuir su exposición a estas sustancias químicas:
 - Trabaje en un área bien ventilada.
 - Trabaje con equipo de seguridad aprobado, como las mascarillas antipolvo especialmente diseñadas para filtrar partículas microscópicas.
 - Evite estar en contacto prolongado con el polvo provocado por las lijas, sierras, trituradoras y taladros eléctricos y otras actividades de construcción. Use ropa protectora y lave todas las áreas expuestas del cuerpo con agua y jabón. Si permite que el polvo llegue a su boca o a sus ojos, o que repose sobre la piel, puede fomentar la absorción de químicos dañinos.

Conozca la herramienta

Para operar esta herramienta, lea con atención este manual y todas las etiquetas de la herramienta antes de usarla. Conserve este manual para tenerlo como referencia futura.

Importante

Solo un técnico de servicio calificado puede reparar esta herramienta.

Lea por completo todas las instrucciones



INFORMACIÓN DE SEGURIDAD

Algunos de los siguientes símbolos pueden aparecer en esta herramienta. Obsérvelos y aprenda su significado. La interpretación correcta de estos símbolos le permitirá utilizar la herramienta de manera eficaz y segura.

SÍMBOLO	DEFINICIÓN	SÍMBOLO	DEFINICIÓN
V	Voltios	n_0	Velocidad sin carga
A	Amperios	/min	Revoluciones o pasadas por minuto
Hz	Hertz		Corriente continua
W	vatios		Corriente alterna

Advertencias generales de seguridad en el manejo de herramientas eléctricas



ADVERTENCIA

- **Lea todas las advertencias de seguridad y todas las instrucciones.** El incumplimiento de las advertencias y las instrucciones podría provocar descargas eléctricas, incendios o lesiones graves.

Guarde todas las advertencias e instrucciones para referencia futura

El término “herramienta eléctrica” que aparece en las advertencias se refiere a la herramienta eléctrica que se conecta a la línea principal (con cable) o a la herramienta eléctrica que funciona con batería (inalámbrica).

Seguridad en el área de trabajo

- **Mantenga el área de trabajo limpia y bien iluminada.** Las áreas desordenadas u oscuras aumentan las posibilidades de accidentes.
- **No utilice herramientas eléctricas en atmósferas en las que exista riesgo de explosión, como por ejemplo en presencia de líquidos inflamables, gases o polvo.** Las herramientas eléctricas producen chispas que podrían encender el polvo o los gases.
- **Mantenga alejados a los niños y transeúntes durante la operación de una herramienta eléctrica.** Las distracciones pueden hacerle perder el control.

Seguridad eléctrica

- **Los enchufes de las herramientas eléctricas deben encajar en el tomacorriente. Nunca modifique el enchufe de ninguna manera. No utilice ningún enchufe adaptador con herramientas eléctricas con puesta a tierra.** Los enchufes sin modificaciones y que encajan en los tomacorrientes reducen el riesgo de descarga eléctrica.
- **Evite el contacto del cuerpo con superficies conectadas a tierra, como tuberías, radiadores, extractores o refrigeradores.** Existe un gran riesgo de descarga eléctrica si su cuerpo tiene conexión a tierra.
- **No exponga las herramientas eléctricas a la lluvia o a condiciones de humedad.** El ingreso de agua en una herramienta eléctrica aumentará el riesgo de descarga eléctrica.



INFORMACIÓN DE SEGURIDAD

- **No maltrate el cable. Nunca use el cable para transportar, jalar o desenchufar la herramienta eléctrica. Mantenga el cable alejado del calor, el aceite, los bordes filosos o las piezas en movimiento.** Los cables dañados o enredados aumentan el riesgo de descarga eléctrica.
- **Cuando opere una herramienta eléctrica en exteriores, utilice una extensión eléctrica para uso en exteriores.** La utilización de un cable apto para uso en exteriores reduce el riesgo de descarga eléctrica.
- **Si debe utilizar una herramienta eléctrica en un área húmeda, use un suministro protegido con un interruptor de circuito de falla de puesta a tierra (GFCI, por sus siglas en inglés).** El uso de un GFCI disminuye el riesgo de descarga eléctrica.

Seguridad personal

- **Manténgase alerta, observe lo que hace y actúe con sentido común al operar una herramienta eléctrica. No utilice una herramienta eléctrica si está cansado o bajo los efectos de drogas, alcohol o medicamentos.** Un momento de desatención mientras opera herramientas eléctricas puede provocar lesiones personales graves.
- **Use un equipo de protección personal. Use siempre lentes de protección.** Los equipos de protección, como mascarillas antipolvo, zapatos de seguridad antideslizantes, casco protector o protección auditiva, utilizados para las condiciones adecuadas, disminuyen las lesiones personales.
- **Evite un arranque accidental. Asegúrese de que el interruptor esté en la posición de apagado antes de conectar la fuente o la batería, levantar o transportar la herramienta.** Transportar herramientas eléctricas con el dedo en el interruptor o enchufar herramientas eléctricas que tienen el interruptor encendido aumenta las posibilidades de accidentes.
- **Retire todas las llaves de ajuste o llaves inglesas antes de encender la herramienta eléctrica.** Si se deja una llave inglesa o una llave conectada a una pieza giratoria de la herramienta eléctrica, se pueden producir lesiones personales.
- **No se incline demasiado. Mantenga una posición y un equilibrio adecuados en todo momento.** Esto permite un mejor control de la herramienta eléctrica en situaciones inesperadas.
- **Use ropa adecuada. No use ropa holgada ni joyas. Mantenga el cabello, la ropa y los guantes lejos de las piezas en movimiento.** La ropa holgada, las joyas o el cabello largo pueden quedar atrapados en las piezas giratorias.
- **Si se proporcionan dispositivos para la conexión de equipos de extracción y recolección de polvo, asegúrese de que se conecten y se usen de forma adecuada.** El uso de estos dispositivos puede disminuir los peligros relacionados con el polvo.

Uso y cuidado de las herramientas eléctricas

- **No fuerce la herramienta eléctrica. Utilice la herramienta eléctrica adecuada para su aplicación.** La herramienta eléctrica adecuada realizará un trabajo más seguro y de mejor calidad a la velocidad para la cual fue diseñada.
- **No utilice la herramienta eléctrica si el interruptor no la enciende o apaga.** Cualquier herramienta eléctrica que no pueda controlarse con el interruptor es peligrosa y debe repararse.
- **Desconecte el enchufe de la fuente de alimentación o la batería de la herramienta eléctrica antes de realizar cualquier ajuste, cambiar accesorios o almacenar herramientas eléctricas.** Este tipo de medidas de seguridad preventivas reduce el riesgo de arranques accidentales de la herramienta eléctrica.
- **Almacene las herramientas eléctricas que no estén en uso fuera del alcance de los niños y no permita que personas no familiarizadas con la herramienta o con estas instrucciones la operen.** Las herramientas eléctricas son peligrosas en manos de usuarios sin capacitación.



INFORMACIÓN DE SEGURIDAD

- **Realice el mantenimiento de las herramientas eléctricas. Revise si hay desalineación o atascamiento de piezas móviles o si están rotas, así como cualquier otra condición que pueda afectar la operación de la herramienta eléctrica.** Si se daña, haga reparar la herramienta eléctrica antes de usarla. Muchos accidentes son producto del mantenimiento incorrecto de las herramientas eléctricas.
- **Mantenga las herramientas de corte afiladas y limpias.** Las herramientas de corte que se mantienen de forma adecuada, con sus bordes de corte afilados, tienen un riesgo menor de trabarse y son más fáciles de controlar.
- **Use la herramienta eléctrica, los accesorios, las brocas, etc., de acuerdo con estas instrucciones y según las condiciones de trabajo y el trabajo que desea realizar.** El uso de la herramienta eléctrica en operaciones distintas para las que fue diseñada podría crear una situación de peligro.

Uso y cuidado de herramientas con batería

- **Recargue únicamente con el cargador especificado por el fabricante.** Un cargador adecuado para un tipo de paquete de baterías puede generar un riesgo de incendio cuando se usa con otro paquete de baterías.
- **Use herramientas eléctricas solo con paquetes de baterías designados específicamente.** El uso de cualquier otro paquete de baterías puede generar riesgo de lesión e incendio.
- **Cuando el paquete de baterías no está en uso, aléjelo de objetos metálicos, como sujetapapeles, monedas, llaves, clavos, tornillos u otros objetos metálicos pequeños que pudieran crear una conexión entre los terminales.** Es posible que una conexión entre los terminales produzca quemaduras o un incendio.
- **En condiciones de maltrato, es posible que salga líquido de la batería; evite el contacto. Si se produce un contacto accidental, enjuague con agua.** Si el líquido entra en contacto con los ojos, además de esto, solicite atención médica. El líquido que sale de la batería puede provocar irritación o quemaduras.

Reparación

- **Permita que solo una persona capacitada repare la herramienta eléctrica, utilizando solo piezas de repuesto idénticas.** Esto mantendrá la seguridad de la herramienta eléctrica.

Advertencias específicas de seguridad para el taladro/destornillador

- **Use los mangos auxiliares si se suministran con la herramienta.** La pérdida de control puede causar lesiones personales graves.
- **Sostenga las herramientas eléctricas por las áreas de agarre aisladas al realizar una operación en la que el accesorio de corte pueda entrar en contacto con cableado oculto o con su propio cable.** Es posible que un accesorio de corte que entre en contacto con un cable "energizado" también "energice" las piezas de metal expuestas de la herramienta eléctrica y podría provocar una descarga eléctrica al operador.
- **Fije la pieza de trabajo.** Sostener la pieza de trabajo en su lugar con abrazaderas o una prensa de tornillo es mejor y más seguro que sostenerla con la mano.
- **Siempre espere hasta que la máquina se detenga por completo antes de colocarla hacia abajo.** El accesorio de la herramienta se puede atascar y provocar la pérdida de control sobre la herramienta eléctrica.
- **Cuando trabaje con la herramienta eléctrica, siempre sosténgala firmemente con ambas manos y adopte una posición segura.** Es más seguro guiar la herramienta eléctrica con ambas manos.

PREPARACIÓN

Información acerca del taladro/destornillador

Antes de intentar usar el taladro/destornillador, familiarícese con todas sus características de operación y requisitos de seguridad.

Herramienta útil (no se incluyen): Destornillador Phillips.



ADVERTENCIA

- Sea cuidadoso, incluso si está familiarizado con el taladro/destornillador. Recuerde que un momento de descuido es suficiente para causar lesiones graves. Antes de intentar utilizar cualquier herramienta, asegúrese de familiarizarse con todas las funciones de operación y con las instrucciones de seguridad.
- No intente modificar esta herramienta ni crear accesorios que no sean los recomendados para esta. Cualquier alteración o modificación es considerada un mal uso y podría causar una condición peligrosa que podría conllevar lesiones personales graves.

INSTRUCCIONES DE FUNCIONAMIENTO

1. Paquete de baterías

Para fijar el paquete de baterías

- Coloque el selector de dirección de rotación (E) en la posición bloqueada central.
- Alinee la parte elevada del paquete de baterías con las ranuras de la parte inferior de la herramienta y luego deslice el paquete de baterías en la herramienta, como se muestra.
- Asegúrese de que el pestillo del paquete de baterías encaje en su lugar y que el paquete de baterías esté fijo en la herramienta antes de comenzar la operación.

AVISO: Al colocar el paquete de baterías en la herramienta, asegúrese de que la varilla elevada del paquete de baterías se alinee con la ranura de la herramienta y que los pestillos encajen en su lugar adecuadamente. El ensamblaje inadecuado del paquete de baterías puede provocar daños a los componentes internos.

Para liberar el paquete de baterías

- Coloque el selector de dirección de rotación (E) en la posición bloqueada central.
- Presione los botones de liberación de la batería para liberar el paquete de baterías.
- Jale el paquete de baterías hacia delante para retirar la batería de la herramienta.

ADVERTENCIA

Las herramientas con batería siempre están en condiciones de operación. Por lo tanto, el selector de dirección de rotación (E) siempre debe estar bloqueado (al centro) cuando la herramienta no se encuentre en uso o al transportar la herramienta a su costado.

2. Interruptor de gatillo de velocidad variable

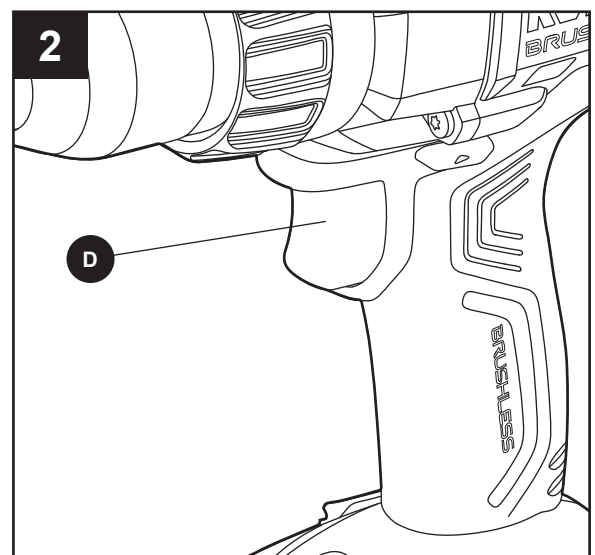
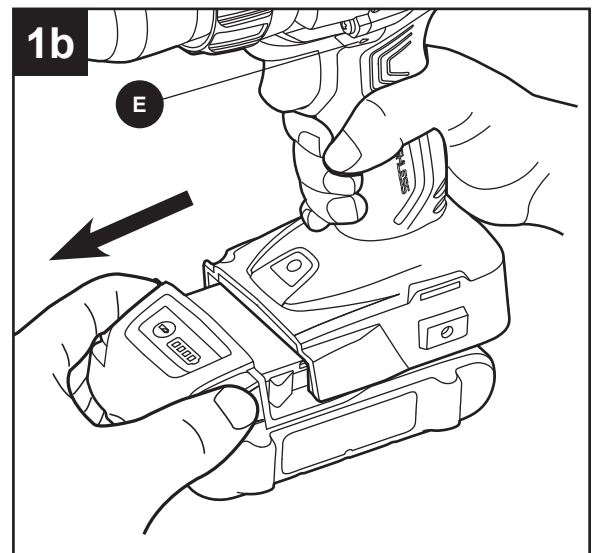
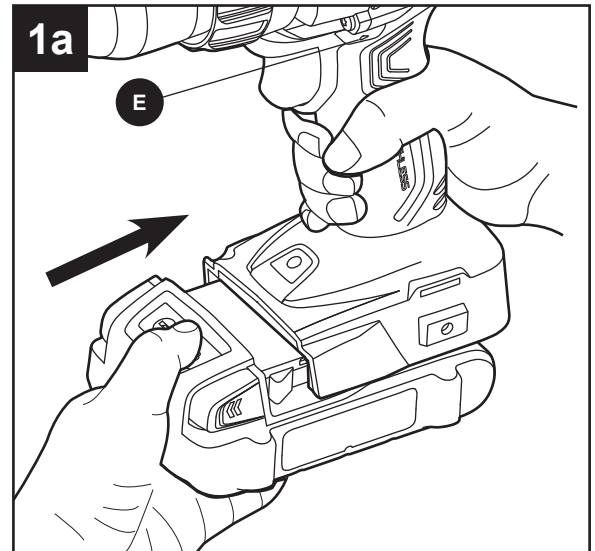
- Para encender el taladro/destornillador, presione el interruptor de gatillo (D).
- Para apagarlo, suelte el interruptor de gatillo.

Velocidad variable

El interruptor de gatillo de velocidad variable proporciona mayor velocidad con mayor presión en el gatillo y menor velocidad con menor presión en el gatillo.

Freno eléctrico

Este taladro/destornillador está equipado con un freno eléctrico. Cuando se suelta el interruptor de gatillo, el freno eléctrico se activa de manera automática para detener rápidamente la rotación.

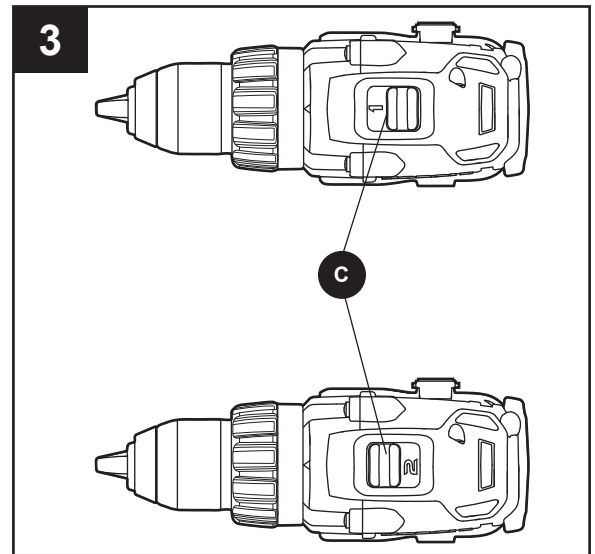


INSTRUCCIONES DE FUNCIONAMIENTO

3. Caja de dos velocidades

El taladro/destornillador cuenta con una caja de engranaje de dos velocidades diseñada para taladrar o atornillar a dos rangos diferentes de velocidad variable. En la parte superior del taladro/destornillador, se encuentra el selector de engranaje (C) que le permite seleccionar un rango de velocidad 1 (bajo) o un rango de velocidad 2 (alto).

- Cuando se configura en 1, el taladro/destornillador tiene velocidades más bajas y mayor potencia y torsión. Use la configuración en 1 para trabajo pesado o para apretar tornillos.
- Cuando está configurado en 2, tiene velocidades más altas y potencia y torsión reducidas. Use la configuración 2 para taladrar madera y compuestos de madera y para utilizar en accesorios abrasivos y de pulido.

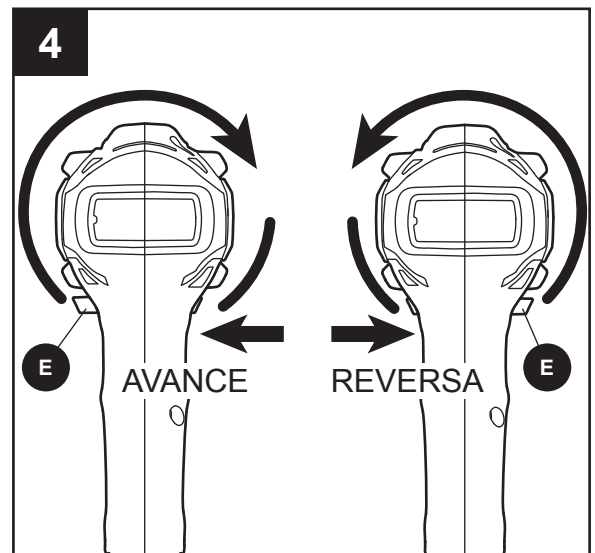


AVISO: Nunca cambie los engranajes mientras la herramienta está en funcionamiento. El incumplimiento de esta medida de precaución podría causar daños graves en el taladro/destornillador.

4. Selector de dirección de rotación (hacia delante/ bloqueo central/reversa)

La dirección de rotación de la broca es reversible y se controla mediante el selector ubicado sobre el interruptor de gatillo (D). Con el taladro/destornillador colocado en la posición de operación normal, apuntando en dirección opuesta a usted:

- Coloque el selector de dirección de rotación (E) a la izquierda de la herramienta para que gire hacia delante.
- Coloque el selector de dirección de rotación a la derecha de la herramienta para que gire en reversa.
- Fijar el selector en la posición (bloqueada) central ayuda a reducir la posibilidad de arranque accidental cuando no se lo está usando.



AVISO: Para evitar el daño en las velocidades, siempre deje que el taladro/destornillador se detenga por completo antes de cambiar la dirección de la rotación.

AVISO: El taladro/destornillador no funciona a menos que el selector de dirección de rotación esté completamente posicionado a la izquierda o la derecha.

INSTRUCCIONES DE FUNCIONAMIENTO

5. Luz de trabajo LED

La luz de trabajo LED (F), ubicada en la base del taladro/destornillador, se iluminará cuando presione el interruptor de gatillo. Esto brinda más iluminación en la superficie de la pieza de trabajo para usar la herramienta en áreas con poca iluminación.

La luz de trabajo LED se apagará luego de que suelte el interruptor de gatillo.

- La luz de trabajo con bombilla LED titilará con rapidez si la herramienta deja de funcionar para proteger los circuitos internos; espere a que la herramienta se enfríe para que pueda volver a funcionar.
- La luz de trabajo con bombilla LED titilará más lento para indicar que el nivel de batería está muy bajo.

6. Portabrocas sin llave


El taladro/destornillador cuenta con un portabrocas sin llave (A) para apretar o liberar las brocas para taladro en las mordazas del portabrocas. Las flechas en el portabrocas señalan la dirección en la que se debe girar el cuerpo del portabrocas para AGARRAR (apretar) o ABRIR (liberar) las mordazas en el portabrocas de la broca para taladro.

7. Embrague de torque ajustable

El embrague de torque puede ajustarse en 23 configuraciones para atornillar y 1 para taladrar.

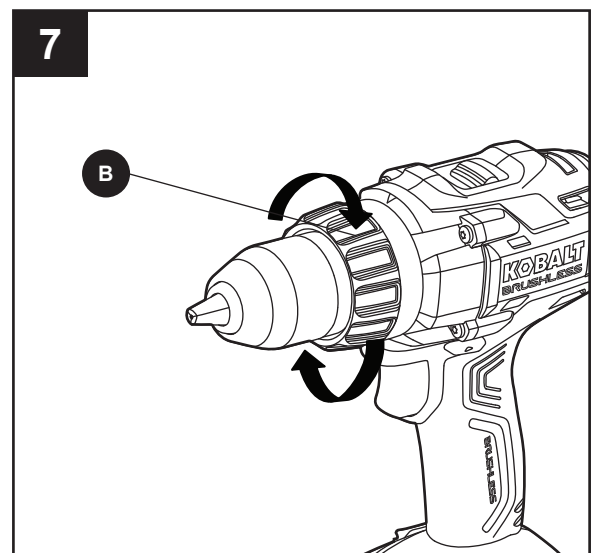
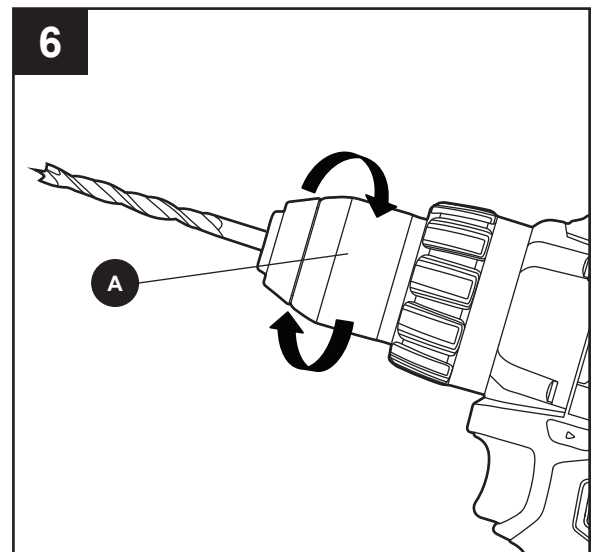
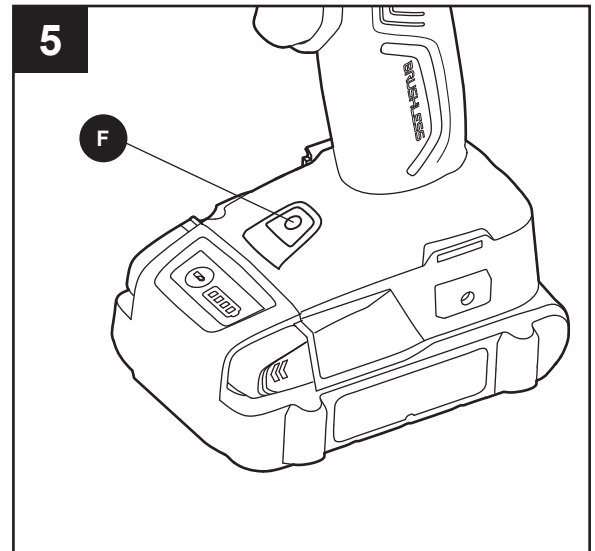
Ajuste la fuerza de torsión girando el torque ajustable (B). A mayor configuración de torsión, mayor fuerza produce el taladro/destornillador para girar un objeto.

La configuración correcta depende del trabajo y del tipo de broca, sujetador y material que utilice. En general, use mayor fuerza de torsión para tornillos más grandes. Si la torsión es muy elevada, pueden dañarse o quebrarse los tornillos.

Seleccione el modo de taladro  para taladrar y para otras aplicaciones de trabajo pesado.

PRECAUCIÓN

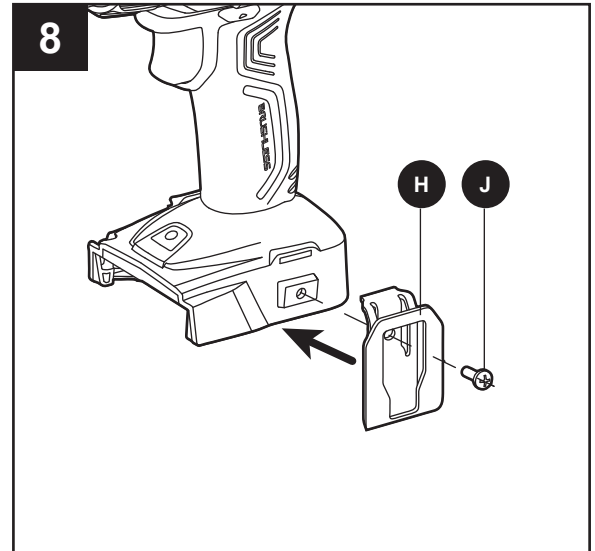
- No cambie la configuración de torsión mientras la herramienta está en funcionamiento.



INSTRUCCIONES DE FUNCIONAMIENTO

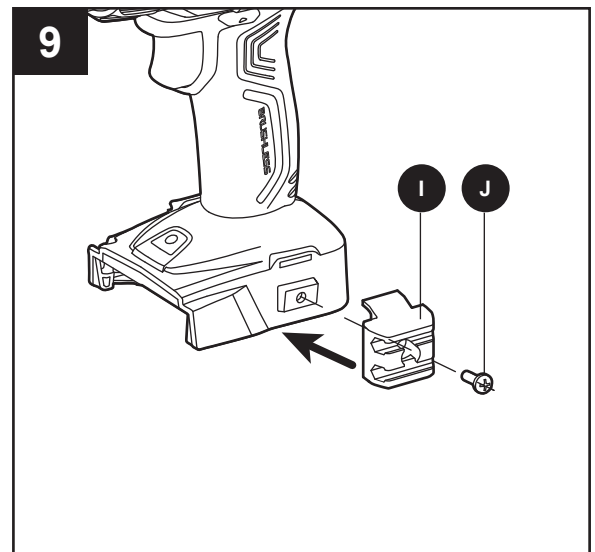
8. Instalación y eliminación del sujetador para cinturón

- Alinee la pestaña del sujetador para cinturón (H) con el orificio en la base del destornillador.
- Coloque el tornillo (J) y apriételo firmemente con un destornillador Phillips (no incluido).
- Para eliminar el sujetador para cinturón, utilice un destornillador Phillips para aflojar el tornillo que fija el sujetador para cinturón al destornillador.



9. Instalación y eliminación del soporte para brocas

- Alinee la pestaña del soporte para brocas (I) con el orificio en la base del destornillador eléctrico.
- Coloque el tornillo (J) y apriételo firmemente con un destornillador Phillips (no incluido).
- Para eliminar el soporte para brocas, utilice un destornillador Phillips para aflojar el tornillo que fija el soporte para brocas al destornillador.



10. Mango auxiliar

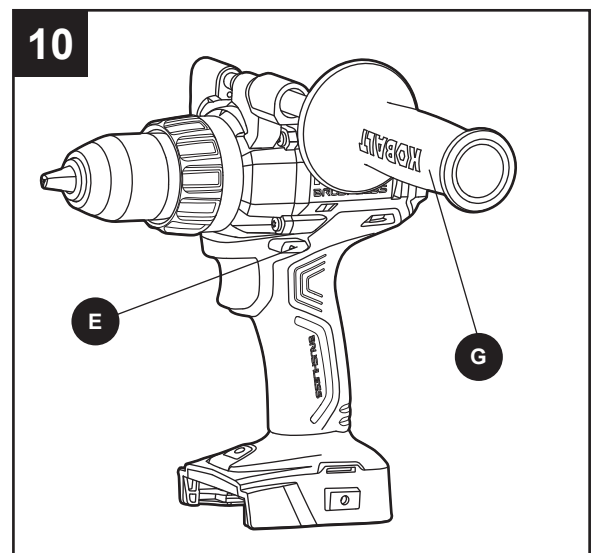
Este taladro/destornillador está equipado con un mango auxiliar (G). Para una operación más fácil, usted puede usar el mango con la mano izquierda o la derecha. La manija lateral se puede girar 90° y bloquear en una de las tres posiciones disponibles.

Para instalar el mango auxiliar:

- Coloque el selector de dirección de rotación (E) en la posición bloqueada central.
- Afloje la manija auxiliar (B) en el taladro girándola en dirección contraria a las manecillas del reloj.
- Alinee la parte elevada de la manija auxiliar con las ranuras de la caja de velocidades del taladro/destornillador y, luego, deslice la manija auxiliar en la herramienta, como se muestra.
- Apriete a mano el mango girándolo en dirección de las manecillas del reloj.

Para eliminar el mango auxiliar:

- Coloque el selector de dirección de rotación (E) en la posición bloqueada central.
- Afloje la manija auxiliar (B) en el taladro girándola en dirección contraria a las manecillas del reloj.
- Retire la manija auxiliar de la herramienta.



⚠ ADVERTENCIA

- Por su seguridad y para una operación más fácil, apriete bien el mango auxiliar girándolo en dirección de las manecillas del reloj antes de cada uso.

INSTRUCCIONES DE FUNCIONAMIENTO

11. Brocas

Instalación de las brocas

- Coloque el selector de dirección de rotación (E) en la posición bloqueada central.
- Abra o cierre las mordazas del portabrocas al punto en que la abertura sea un poco más grande que el vástago de la broca que va a usar.
- Coloque la broca.
- Apriete bien las mordazas del portabrocas en la broca.

AVISO: Gire el cuerpo del portabrocas en la dirección que indica la flecha que indica AGARRE para cerrar las mordazas. No utilice una llave inglesa para apretar o aflojar las mordazas del portabrocas.

ADVERTENCIA

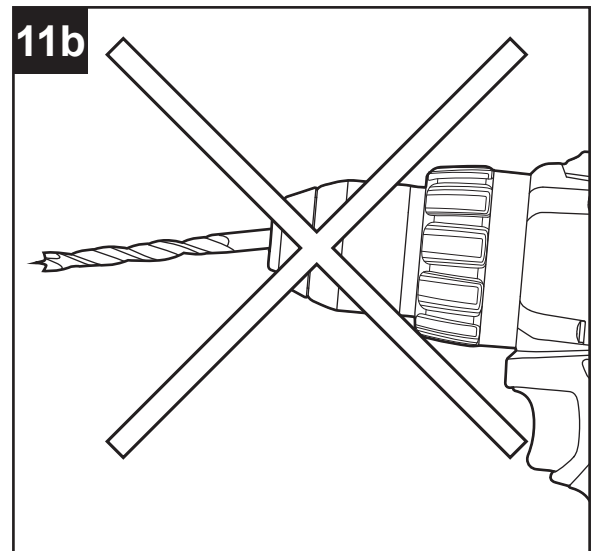
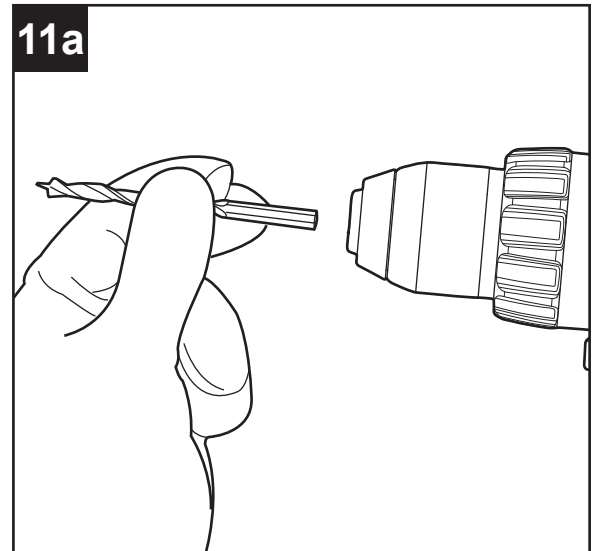
- Asegúrese de colocar la broca para taladro de forma derecha dentro de las mordazas del portabrocas. No inserte la broca en ángulo dentro de las mordazas del portabrocas para luego apretar el portabrocas, como se muestra en la fig. 9b. Esto puede hacer que la broca salga disparada del taladro/destornillador, lo que puede producir lesiones personales serias o daños al portabrocas.

Retiro de las brocas

- Coloque el selector de dirección de rotación (E) en la posición bloqueada central.
- Abra las mordazas del portabrocas.
- Retire la broca para taladro.

ADVERTENCIA

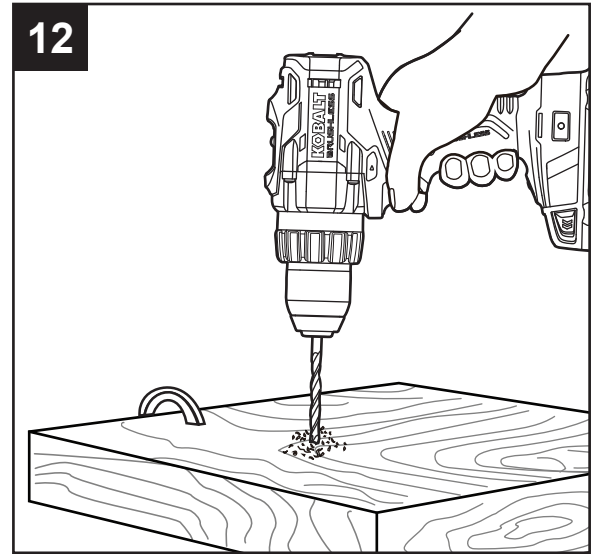
- No sostenga el cuerpo del portabrocas con una sola mano y use la potencia del taladro/destornillador para apretar o aflojar las mordazas del portabrocas en la broca para taladro. El cuerpo del portabrocas se puede resbalar en la mano, o la mano puede resbalarse y entrar en contacto con la broca giratoria. Esto puede provocar un accidente que cause posibles lesiones personales.



12. Perforación

ADVERTENCIA

- Use siempre gafas o anteojos de seguridad con protectores laterales durante la operación de la herramienta eléctrica o al soplar el polvo. Si hay demasiado polvo durante la operación, use también una mascarilla antipolvo.
- a. Verifique que el selector de dirección de rotación (E) esté en la configuración correcta (hacia delante o en reversa).
- b. Asegure el material que va a perforar en una prensa de tornillo o con abrazaderas para evitar que gire cuando la broca para taladro esté girando.
- c. Sostenga el taladro/destornillador firmemente y coloque la broca en el punto que va a perforar.
- d. Presione el interruptor de gatillo de velocidad variable (D) para arrancar el taladro/destornillador.
- e. Mueva la broca para taladro en la pieza de trabajo, aplicando la presión suficiente como para mantener la broca taladrando. No fuerce el taladro/destornillador ni aplique presión lateral para ampliar un orificio. Deje que este realice el trabajo.
- f. Cuando taladre superficies duras y suaves, use un perforador central (que se vende por separado) para marcar la ubicación deseada del orificio. Esto evitará que la broca para taladro se mueva a medida que hace el orificio.
- g. Si la broca se atasca en la pieza de trabajo o si se detiene el taladro/destornillador, detenga el funcionamiento de la herramienta de inmediato. Retire la broca de la pieza de trabajo y determine la causa del atasco.
- h. Para detener el taladro/destornillador, suelte el interruptor de gatillo de velocidad variable y permita que la herramienta se detenga por completo.



Taladrado de madera

- a. Para obtener un máximo rendimiento, use brocas de acero de alta velocidad o de tres puntas para taladrar madera.
- b. Comience a taladrar a una velocidad muy baja para evitar que la broca se deslice del punto de inicio.
- c. Aumente la velocidad a medida que la broca para taladro entre en el material.
- d. Cuando taladre “a través” de los orificios, coloque un bloque de madera detrás de la pieza de trabajo para evitar que se formen bordes irregulares o astillados en la parte posterior de los orificios.

Taladrado de metal

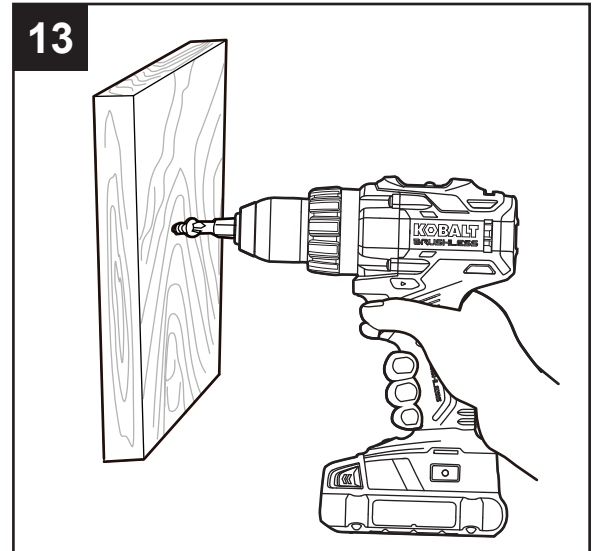
- a. Para obtener un máximo rendimiento, use brocas de acero de alta velocidad para taladrar metal o acero.
- b. Cuando perforo metales, unte aceite ligero en la broca para taladro para evitar que se sobrecaliente. El aceite prolongará la vida útil de la broca y aumentará la acción del taladro.
- c. Comience a taladrar a una velocidad muy baja para evitar que la broca se deslice del punto de inicio.
- d. Mantenga una velocidad y presión que permitan cortar sin sobrecalentar la broca. Aplicar demasiada presión podría:
 - Sobrecalentar el taladro/destornillador.
 - Desgastar los rodamientos.
 - Doblar o quemar las brocas.
 - Producir orificios descentrados o irregulares.

INSTRUCCIONES DE FUNCIONAMIENTO


13. Para atornillar

En lo posible, use tornillos tipo estándar para facilitar el atornillado y mejorar el agarre.

- a. Instale la punta de destornillador correcta.
- b. Asegúrese de que el anillo de ajuste de torque se encuentre en la configuración más adecuada. Si no está seguro, empiece con una configuración baja y aumente de forma gradual la configuración según sea necesario. No cambie la configuración de torsión mientras la herramienta está en funcionamiento.
- c. Utilice el rango de velocidad correcto para el trabajo y aplique una presión mínima al interruptor de gatillo de velocidad variable. Aumente la velocidad solo cuando se pueda mantener un control completo.
- d. Se aconseja taladrar un orificio guía primero. Este orificio debe ser levemente más grande que el tornillo que desee colocar y menor que el diámetro del vástago del tornillo. El orificio guiará al tornillo y hará que el ajuste de este sea más sencillo. Al ubicar los tornillos cerca del borde de un material, el orificio guía también ayudará a evitar que la madera se abra.
- e. Use una broca para avellanar (que se vende por separado) para acomodar la cabeza del tornillo y evitar que sobresalga de la superficie.
- f. Mantenga la presión suficiente sobre el taladro para evitar que la broca gire fuera de la cabeza del tornillo. Esta se puede dañar con facilidad, lo que haría difícil introducir o retirar el tornillo.
- g. Para detener el taladro/destornillador, suelte el interruptor de gatillo y permita que la herramienta se detenga completamente.



CUIDADO Y MANTENIMIENTO

 Solo un técnico calificado puede llevar a cabo cualquier tipo de mantenimiento.

Limpieza

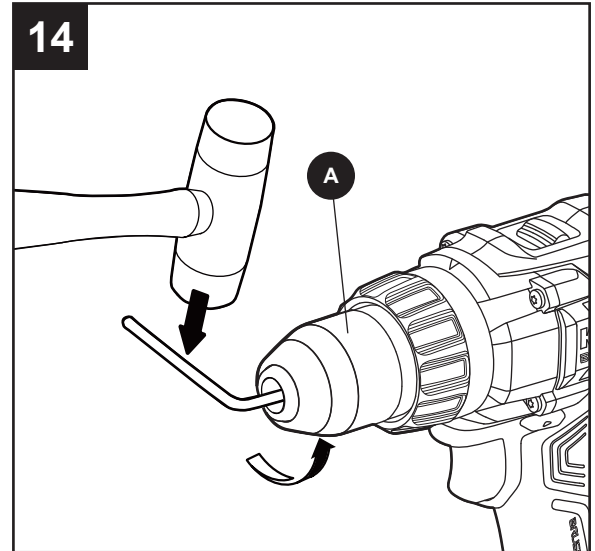
Antes de limpiar o realizar cualquier tarea de mantenimiento, retire el paquete de baterías de la herramienta. Para un uso seguro y adecuado, siempre mantenga limpias la herramienta y sus ranuras de ventilación.

Siempre use un paño suave y seco para limpiar el taladro/destornillador. Nunca use ningún tipo de detergente o alcohol.

14. Retiro del portabrocas

El portabrocas sin llave (A) se puede retirar y reemplazar.

- Para bloquear el interruptor de gatillo, coloque el selector de dirección de rotación (E) en la posición central.
- Abra las mordazas del portabrocas.
- Use un destornillador (no se incluye) para retirar el tornillo del portabrocas girándolo en dirección de las manecillas del reloj.
- Inserte una llave hexagonal de 7,93 mm o más (no incluida) en el portabrocas del taladro/destornillador y apriete de forma segura las mordazas del portabrocas alrededor de la llave hexagonal.
- Golpee fuertemente la llave hexagonal con un mazo (no se incluye) en dirección contraria a las manecillas del reloj. Esto aflojará el portabrocas para retirarlo de forma más fácil.



AVISO: El tornillo del portabrocas tiene roscas hacia la izquierda. Fije un portabrocas nuevo al eje y apriete el tornillo del portabrocas.

SOLUCIÓN DE PROBLEMAS

ADVERTENCIA

- Coloque el selector de dirección de rotación (E) en la posición de bloqueo central y retire el paquete de baterías del taladro/destornillador antes de realizar procedimientos de solución de problemas.

PROBLEMA	CAUSA POSIBLE	ACCIÓN CORRECTIVA
El taladro/destornillador no funciona.	El paquete de baterías está agotado.	Cargue el paquete de baterías.
No se puede instalar la broca.	No se ha aflojado el portabrocas.	Suelte el portabrocas.
	La broca no encaja en el portabrocas.	Use una broca correcta o un adaptador adecuado.
El motor se sobrecalentó.	Las ventilas de enfriamiento están obstruidas.	Limpie las ventilas. No cubra las ventilas con la mano durante el funcionamiento.
La luz de trabajo con bombilla LED titila con rapidez.	La herramienta ha dejado de funcionar para proteger los circuitos internos.	Suelte el interruptor de gatillo, espere a que la herramienta se enfríe y luego enciéndala de nuevo.
La luz de trabajo con bombilla LED titila con lentitud.	El nivel de batería está muy bajo.	Cargue la batería.

GARANTÍA

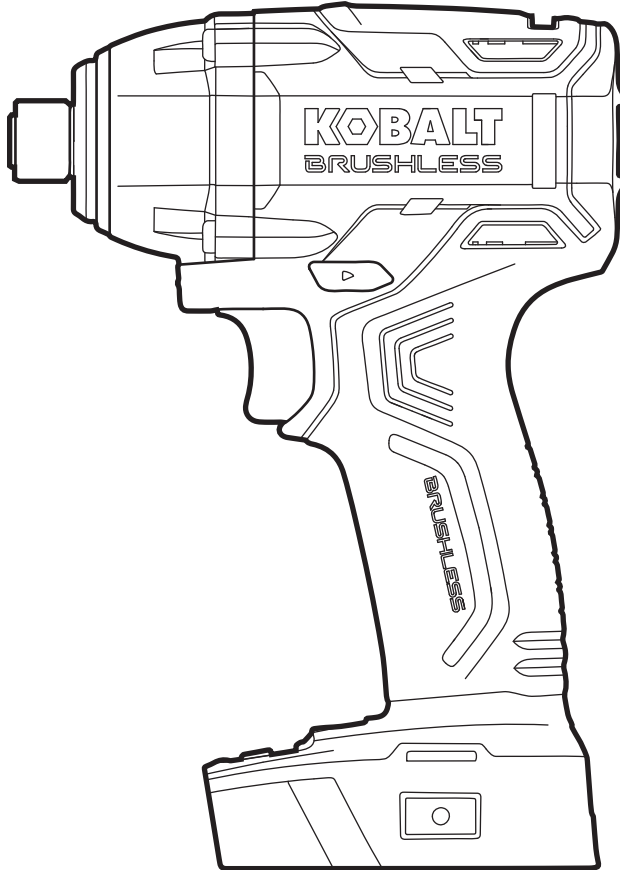
Desde la fecha de compra, la herramienta eléctrica posee una garantía de 5 años y la batería y el cargador, una garantía de 3 años. Esta garantía se extiende al comprador original para asegurar que los productos están libres de defectos en los materiales y la mano de obra. Esta garantía no cubre daños por abuso, desgaste normal, mantenimiento inadecuado, negligencia, reparación/alteración no autorizada o piezas fungibles y accesorios que se esperan que sean inutilizables después de un período de uso razonable.

Si cree que este producto cumple con la garantía mencionada con anterioridad, devuelva el producto al lugar donde lo compró con un comprobante de compra válido y el producto defectuoso se reparará o reemplazará sin cargo. Esta garantía le otorga derechos legales específicos, pero también podría tener otros derechos que varían según el estado.

Impreso en China

KOBALT® y K Design® son marcas comerciales registradas de LF, LLC. Todos los derechos reservados.

KOBALT®



ITEM #0672824/0672826/
0672827/0790022

1/4 IN BRUSHLESS IMPACT DRIVER

MODEL #KID 324B-03

KOBALT® and the K Design® are registered trademarks of LF, LLC. All Rights Reserved.

Español p. 15

ATTACH YOUR RECEIPT HERE

Serial Number _____ Purchase Date _____



Questions, problems, missing parts? Before returning to your retailer, call our customer service department at 1-888-3KOBALT (1-888-356-2258), 8 a.m. - 8 p.m., EST, Monday - Friday.

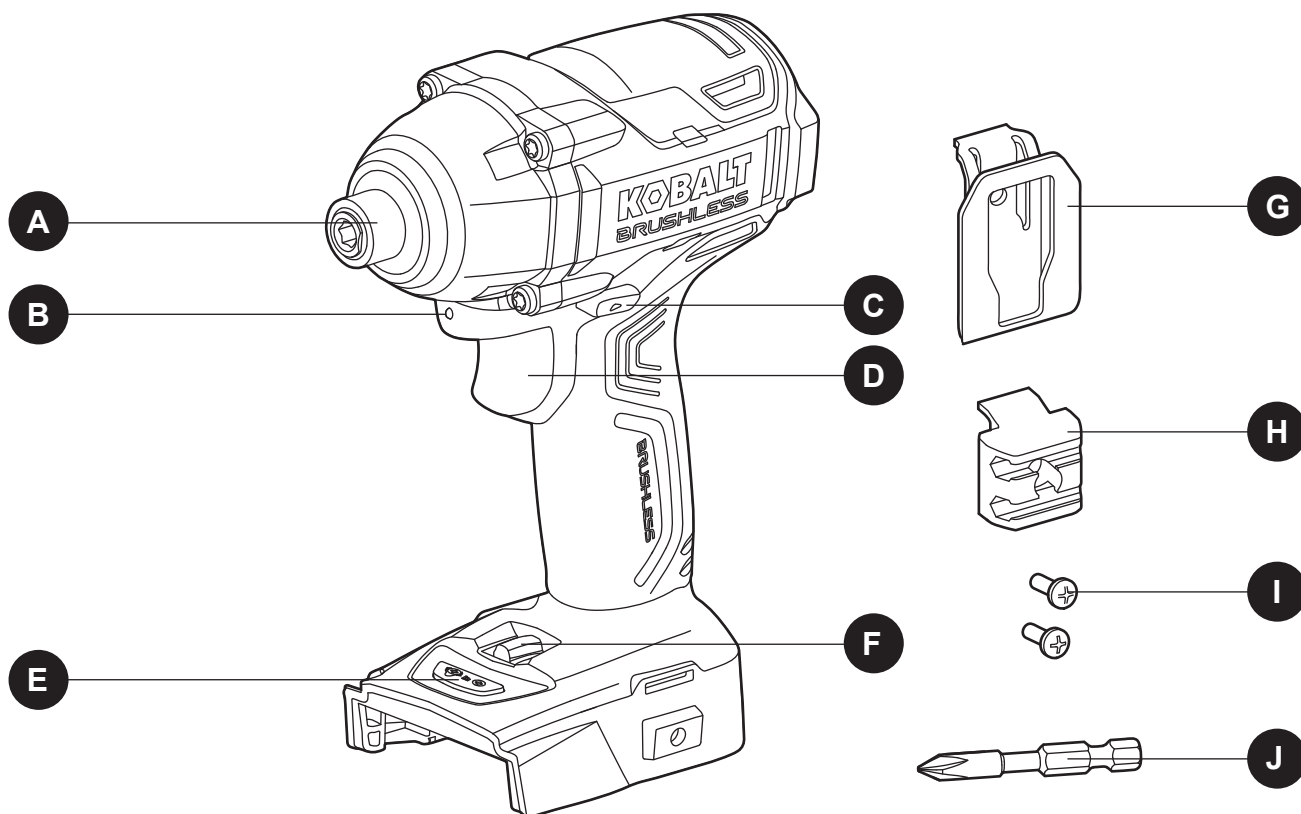
TABLE OF CONTENTS

Product Specifications	2
Package Contents	3
Safety Information	4
Preparation	7
Operating Instructions	8
Care and Maintenance	13
Troubleshooting	13
Warranty	14

PRODUCT SPECIFICATIONS

COMPONENT	SPECIFICATION
Rated voltage	24 V d.c.
Collet size	1/4 in.
No-load speed	0-950/0-2,000/0-2,700 RPM
Impact per minute	3,500 IPM
Maximum torque	1,800 in. lbs.

PACKAGE CONTENTS



PART	DESCRIPTION
A	Sleeve
B	LED work light
C	Direction-of-rotation selector
D	Variable-speed trigger switch
E	Finish button

PART	DESCRIPTION
F	Speed selector
G	Belt clip
H	Bit holder
I	Screw (2)
J	Impact bit

WARNING

- Remove the tool from the package and examine it carefully. Do not discard the carton or any packaging material until all parts have been examined.
- If any part of the tool is missing or damaged, do not attach the battery pack or use the tool until the part has been repaired or replaced. Failure to heed this warning could result in serious injury.



SAFETY INFORMATION

Please read and understand this entire manual before attempting to assemble or operate this product. If you have any questions regarding the product, please call customer service at 1-888-3KOBALT, 8 a.m. - 8 p.m., EST, Monday - Friday.



WARNING

- The operation of any power tool can result in foreign objects being thrown into your eyes, which can result in severe eye damage. Before beginning power-tool operation, always wear safety goggles or safety glasses with side shields and a full-face shield, when needed. It is recommended to use a wide vision safety mask over eyeglasses or standard safety glasses with shields. Always use eye protection marked to comply with ANSI Z87.1.
- Some dust created by power sanding, sawing, grinding, drilling, and other construction activities contains chemicals known to the state of California to cause cancer, birth defects, or other reproductive harm. Some examples of these chemicals are:
 - Lead from lead-based paints
 - Crystalline silica from bricks, cement, and other masonry products
 - Arsenic and chromium from chemically-treated lumber
- Your risk from these exposures varies, depending upon how often you do this type of work. To reduce your exposure to these chemicals:
 - Work in a well-ventilated area.
 - Work with approved safety equipment, such as dust masks that are specially designed to filter out microscopic particles.
 - Avoid prolonged contact with dust from power sanding, sawing, grinding, drilling, and other construction activities. Wear protective clothing and wash exposed areas with soap and water. Allowing dust to get into your mouth or eyes or to lie on the skin may promote absorption of harmful chemicals.

Know the Tool

To operate this tool, carefully read this manual and all labels affixed to the tool before using it. Keep this manual available for future reference.

Important

This tool should be serviced only by a qualified service technician.

Read All Instructions Thoroughly



SAFETY INFORMATION

Some of the following symbols may be used on this tool. Please study them and their meaning. Proper interpretation of these symbols will allow you to operate the tool better and more safely.

SYMBOL	DEFINITION	SYMBOL	DEFINITION
V	Volts	n_0	No-load Speed
A	Amps	/min	Revolutions or Strokes per Minute
Hz	Hertz		Direct Current
W	Watts		Alternating Current

General Power Tool Safety Warnings



WARNING

- **Read all safety warnings and all instructions.** Failure to follow the warnings and instructions may result in electric shock, fire and/or serious injury.

Save all warnings and instructions for future reference

The term “power tool” in the warnings refers to your mains-operated (corded) power tool or battery-operated (cordless) power tool.

Work Area Safety

- **Keep work area clean and well lit.** Cluttered or dark areas invite accidents.
- **Do not operate power tools in explosive atmospheres, such as in the presence of flammable liquids, gases or dust.** Power tools create sparks, which may ignite the dust or fumes.
- **Keep children and bystanders away while operating a power tool.** Distractions can cause you to lose control.

Electrical Safety

- **Power tool plugs must match the outlet. Never modify the plug in any way. Do not use any adaptor plugs with earthed (grounded) power tools.** Unmodified plugs and matching outlets will reduce the risk of electric shock.
- **Avoid body contact with earthed or grounded surfaces such as pipes, radiators, ranges and refrigerators.** There is an increased risk of electric shock if your body is earthed or grounded.
- **Do not expose power tools to rain or wet conditions.** Water entering a power tool will increase the risk of electric shock.
- **Do not abuse the cord. Never use the cord for carrying, pulling or unplugging the power tool. Keep cord away from heat, oil, sharp edges or moving parts.** Damaged or entangled cords increase the risk of electric shock.



SAFETY INFORMATION

- **When operating a power tool outdoors, use an extension cord suitable for outdoor use.** Use of a cord suitable for outdoor use reduces the risk of electric shock.
- **If operating a power tool in a damp location is unavoidable, use a ground-fault circuit interrupter (GFCI) protected supply.** Use of a GFCI reduces the risk of electric shock.

Personal Safety

- **Stay alert, watch what you are doing and use common sense when operating a power tool. Do not use a power tool while you are tired or under the influence of drugs, alcohol or medication.** A moment of inattention while operating power tools may result in serious personal injury.
- **Use personal protective equipment. Always wear eye protection.** Protective equipment such as dust mask, non-skid safety shoes, hard hat, or hearing protection, used for appropriate conditions, will reduce personal injuries.
- **Prevent unintentional starting. Ensure the switch is in the off-position before connecting to power source and/or battery pack, picking up or carrying the tool.** Carrying power tools with your finger on the switch or energizing power tools that have the switch on invites accidents.
- **Remove any adjusting key or wrench before turning the power tool on.** A wrench or a key left attached to a rotating part of the power tool may result in personal injury.
- **Do not overreach. Keep proper footing and balance at all times.** This enables better control of the power tool in unexpected situations.
- **Dress properly. Do not wear loose clothing or jewelry. Keep your hair, clothing and gloves away from moving parts.** Loose clothes, jewelry or long hair can be caught in moving parts.
- **If devices are provided for the connection of dust extraction and collection facilities, ensure that these are connected and properly used.** Use of these devices can reduce dust-related hazards.

Power Tool Use and Care

- **Do not force the power tool. Use the correct power tool for your application.** The correct power tool will do the job better and safer at the rate for which it was designed.
- **Do not use the power tool if the switch does not turn it on and off.** Any power tool that cannot be controlled with the switch is dangerous and must be repaired.
- **Disconnect the plug from the power source and/or the battery pack from the power tool before making any adjustments, changing accessories, or storing power tools.** Such preventive safety measures reduce the risk of starting the power tool accidentally.
- **Store idle power tools out of the reach of children and do not allow persons unfamiliar with the power tool or these instructions to operate the power tool.** Power tools are dangerous in the hands of untrained users.
- **Maintain power tools. Check for misalignment or binding of moving parts, breakage of parts and any other condition that may affect the power tool's operation. If damaged, have the power tool repaired before use.** Many accidents are caused by poorly maintained power tools.
- **Keep cutting tools sharp and clean.** Properly maintained cutting tools with sharp cutting edges are less likely to bind and are easier to control.
- **Use the power tool, accessories, tool bits, etc., in accordance with these instructions, taking into account the working conditions and the work to be performed.** Use of the power tool for operations different from those intended could result in a hazardous situation.



SAFETY INFORMATION

Battery Tool Use and Care

- **Recharge only with the charger specified by the manufacturer.** A charger that is suitable for one type of battery pack may create a risk of fire when used with another battery pack.
- **Use power tools only with specifically designated battery packs.** Use of any other battery packs may create a risk of injury and fire.
- **When battery pack is not in use, keep it away from other metal objects like paper clips, coins, keys, nails, screws or other small metal objects that can make a connection from one terminal to another.** Shorting the battery terminals together may cause burns or a fire.
- **Under abusive conditions, liquid may be ejected from the battery; avoid contact. If contact accidentally occurs, flush with water. If liquid contacts eyes, additionally seek medical help.** Liquid ejected from the battery may cause irritation or burns.

Service

- **Have your power tool serviced by a qualified repair person using only identical replacement parts.** This will ensure that the safety of the power tool is maintained.

Specific Safety Warnings for Impact Driver

- **Hold power tools by insulated gripping surfaces when performing an operation where the cutting tool may contact hidden wiring or its own cord.** Contact with a “live” wire may make exposed metal parts of the power tool “live” and shock the operator.
- Wear ear protectors when impact drilling. Exposure to noise can cause hearing loss.
- Secure the workpiece. Clamping devices or a vise will hold the workpiece in place better and more safely than holding it by hand.
- Always wait until the tool has come to a complete stop before placing it down. The tool insert can jam and lead to loss of control over the power tool.
- Before performing any kind of work on the tool (e.g., maintenance, tool change, etc.), as well as when transporting and storing it, always set the rotational direction switch to the center (locked) position. Unintentional activation of the On/Off switch may result in personal injury.
- When working with the power tool, always hold it firmly with both hands and provide a secure stance. The power tool is guided more securely with both hands.

PREPARATION

Know Your Impact Driver

Before attempting to use the impact driver, familiarize yourself with all of its operating features and safety requirements.

Helpful tool (not included): Phillips screwdriver.



WARNING

- Do not allow familiarity with the impact driver to cause carelessness. Remember that one careless moment is enough to cause severe injury. Before attempting to use any tool, be sure to become familiar with all of the operating features and safety instructions.
- Do not attempt to modify this tool or create accessories not recommended for use with this tool. Any such alteration or modification is misuse and could result in a hazardous condition leading to possible serious personal injury.

OPERATING INSTRUCTIONS

1. To Attach Battery Pack

- Place the direction-of-rotation selector (C) in the center (locked) position.
- Align the raised portion on the battery pack with the grooves on the bottom of the tool, then slide the battery pack onto the tool, as shown.
- Ensure that the battery-release buttons on the battery pack snap into place and the battery pack is secured to the tool before beginning operation.

NOTICE: When placing the battery pack on the tool, be sure that the raised rib on the battery pack aligns with the groove on the tool and the latches snap into place properly. Improper assembly of the battery pack can cause damage to internal components.

To Detach Battery Pack

- Place the direction-of-rotation selector (C) in the center (locked) position.
- Press the battery-release buttons to release the battery pack.
- Pull forward on the battery pack to remove it from the tool.

WARNING

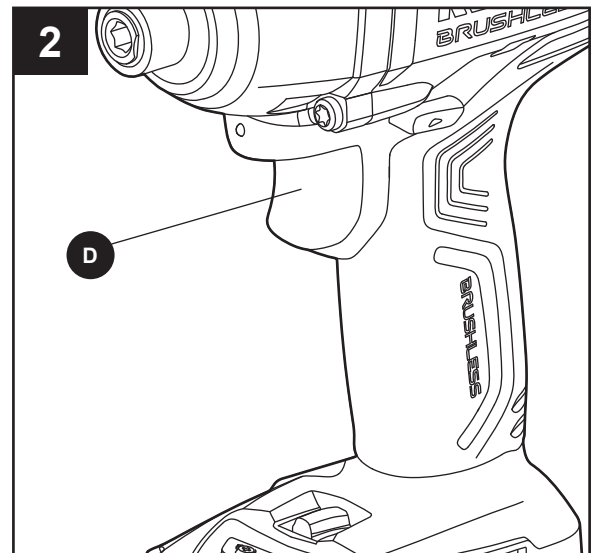
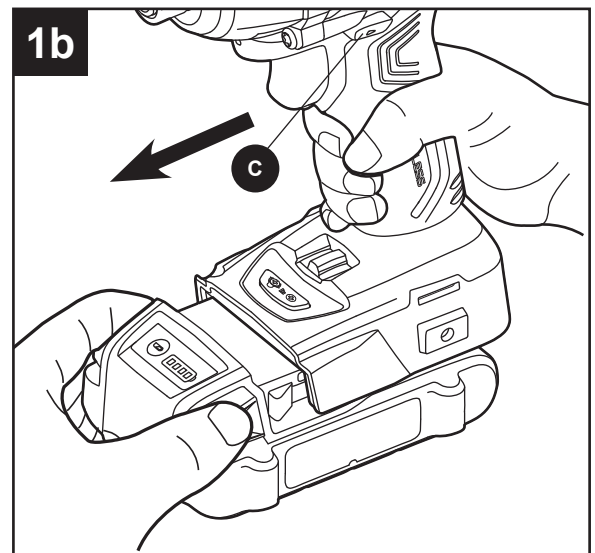
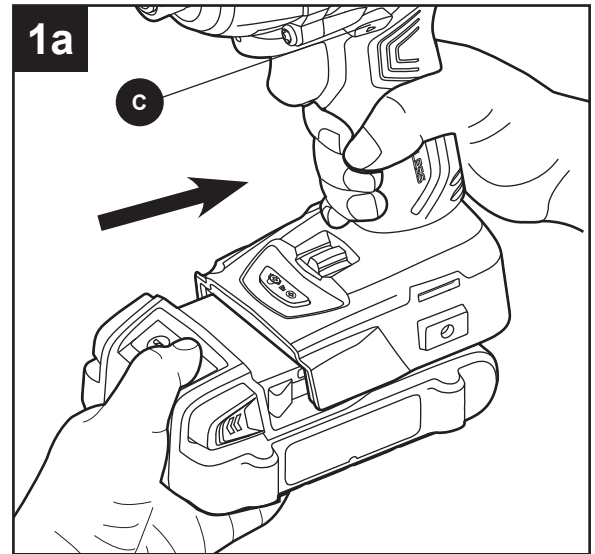
- Battery tools are always in operating condition. Therefore, the direction-of-rotation select or should always be locked (center) when the tool is not in use or when carrying the tool at your side.

2. Variable-Speed Trigger Switch

- To turn the impact driver ON, depress the variable-speed trigger switch (D).
- To turn it OFF, release the variable-speed trigger switch.
- The variable-speed trigger switch delivers higher speed with increased trigger pressure and lower speed with decreased trigger pressure.

Electric Brake

The impact driver is equipped with an electric brake. When the variable-speed trigger switch (D) is released, the electric brake engages automatically to quickly stop rotation.



OPERATING INSTRUCTIONS

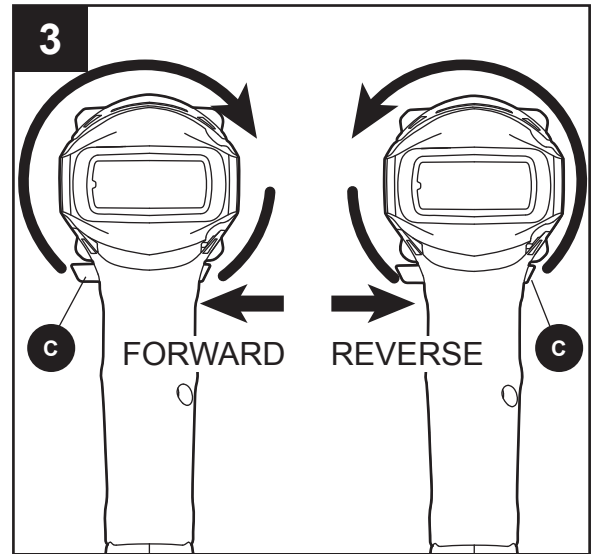
3. Direction-of-Rotation Selector (Forward/Center Lock/Reverse)

The direction of bit rotation is reversible and is controlled by a selector located above the trigger switch. With the impact driver held in the normal operating position, pointing away from you:

- Position the direction-of-rotation selector (C) to the left of the tool for forward rotation.
- Position the direction-of-rotation selector to the right of the tool for reverse rotation.
- Setting the selector in the center (locked) position helps reduce the possibility of accidental start-up when not in use.

NOTICE: To prevent gear damage, always allow the impact driver to come to a complete stop before changing the direction of rotation.

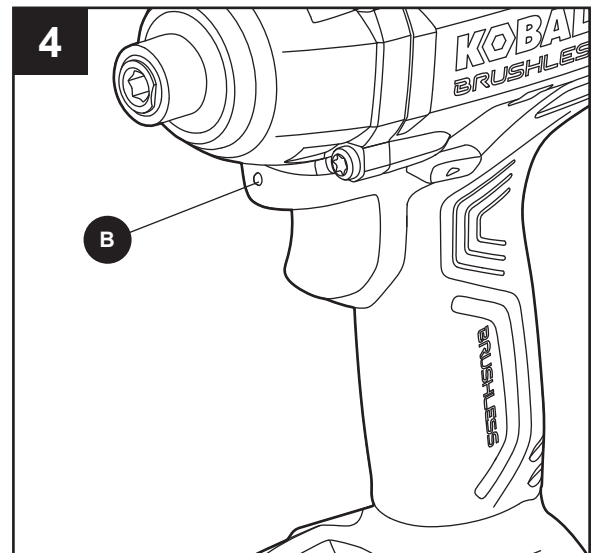
NOTICE: The impact driver will not operate unless the direction-of-rotation selector is engaged fully to the left or right.



4. LED Worklight

The LED worklight (B), located above the variable-speed trigger switch (D) on the impact driver, will illuminate when the variable-speed trigger switch is depressed. This provides additional light on the surface of the workpiece for operation in lower-light areas. The LED worklight will automatically turn off approximately 10 seconds after the trigger has been released.

- The LED worklight will blink rapidly if the tool has stopped working in order to protect internal circuits; please wait for the tool to cool down, at which point it can be started again.
- The LED worklight will blink slowly to indicate that the battery charge is very low.



OPERATING INSTRUCTIONS

5. Speed Selector

The impact driver has a speed selector (F) located on the base to select among three different variable-speed ranges (refer to **specifications** section).

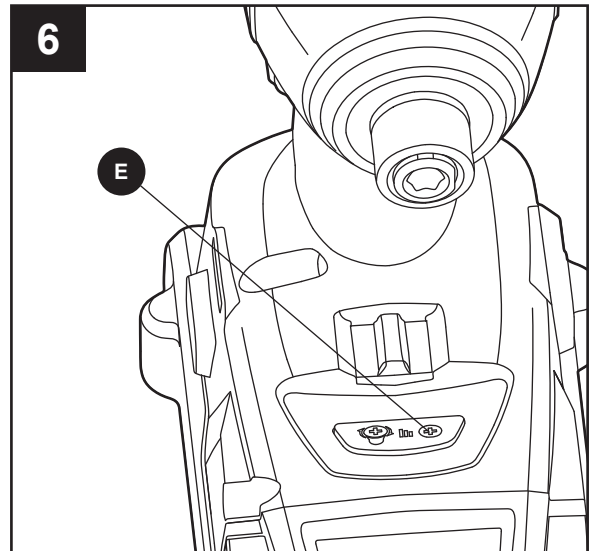
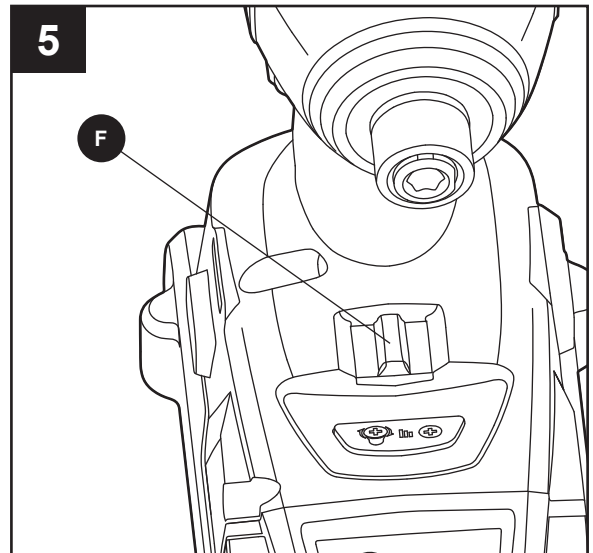
- 1: The impact driver provides lowest speed and torque.
- 2: The impact driver provides medium speed and torque.
- 3: The impact driver provides maximum speed and torque.

NOTICE: Do not change speed range while the tool is running. The speed range will not change until you release the variable-speed trigger switch.

6. Finish Mode

The finish mode permits better control of the impact driving action and is useful as the head of the fastener approaches the level of the workpiece. In finish mode, each successive depression of the variable-speed trigger switch (D) will result in a very short impacting burst. The finish button (E) is located on the base of the tool.

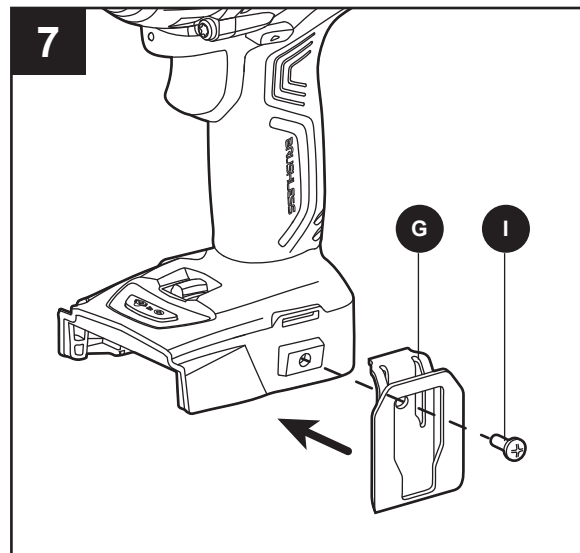
- a. To engage the finish mode, ensure a battery is correctly attached to the tool, depress and release the variable-speed trigger switch to turn on the tool, then press the finish button. The green light on the finish button will illuminate to indicate that the finish mode is activated.
- b. The finish mode can be turned on and off for approximately 15 minutes after the last variable-speed trigger release.
- c. If more than 15 minutes have passed, repeat the process described above to engage the finish mode.



OPERATING INSTRUCTIONS

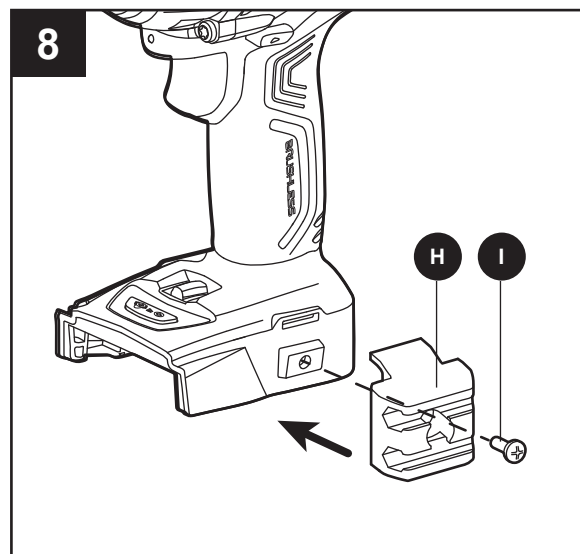
7. Installing and Removing the Belt Clip

- Align the rib of the belt clip (G) with the hole on the base of the driver.
- Insert the screw (I) and tighten the screw securely with a Phillips screwdriver (not included).
- To remove the belt clip, use a Phillips screwdriver to loosen the screw holding the belt clip to the driver.



8. Installing and Removing the Bit Holder

- Align the rib of the bit holder (H) with the hole on the base of the impact driver.
- Insert the screw (I) and tighten the screw securely with a Phillips screwdriver (not included).
- To remove the bit holder, use a Phillips screwdriver to loosen the screw holding the belt clip to the driver.



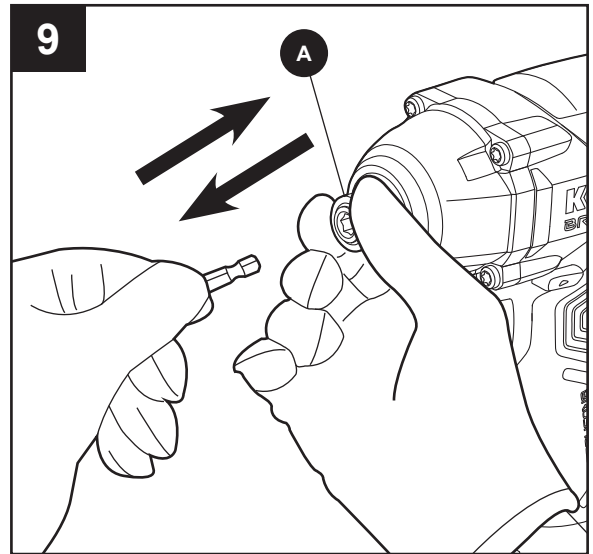
OPERATING INSTRUCTIONS

9. Installing Bits

- Place the direction-of-rotation selector (C) in the center (locked) position.
- With one hand, pull the sleeve (A) toward the front of the tool and hold it in place.
- With the other hand, insert a 1/4 in. bit into the hexagonal hole in the bit retainer.
- Release the sleeve and check that it returns to its original position.

WARNING

- If the sleeve does not return to its original position, the bit is not correctly installed. Retry until the bit is properly installed and the sleeve returns to its original position.



Removing Bits

WARNING

- Use protective gloves when removing the bit from the tool, or first allow the bit to cool. The bit may be hot after prolonged use.
- Place the direction-of-rotation selector (C) in the center (locked) position.
 - Pull the sleeve (A) toward the front of the tool and hold it in place.
 - Remove the bit from the hexagonal hole in the bit retainer.
 - Release the sleeve.

10. Tightening and Loosening Screws and Nuts

- Install the correct bit.
- Select the finish mode as necessary, according to the work piece.
- Select the suitable speed range for the application. It is advisable to make a trial driving on a scrap material to determine the speed selection.
- Apply just enough pressure to keep the bit engaged on the screw or nut.
- Apply minimal pressure to the variable-speed trigger switch initially. Increase the speed only when you can maintain full control.

WARNING

- Do not overtighten, as the force of the impact driver can break the fastener. Keep the impact driver at a right angle to the fastener to avoid damaging the fastener head.

CARE AND MAINTENANCE



All maintenance should only be carried out by a qualified technician.

Cleaning

Before cleaning or performing any maintenance, remove the battery pack from the impact driver. For safe and proper operation, always keep the tool and its ventilation slots clean.

Always use only a soft, dry cloth to clean your impact driver; never use detergent or alcohol.

TROUBLESHOOTING



WARNING

- Place the direction-of-rotation selector (C) in the center lock position and detach the battery pack from the impact driver before performing troubleshooting procedures.

PROBLEM	POSSIBLE CAUSE	CORRECTIVE ACTION
The driver does not work.	The battery pack is depleted.	Charge the battery pack.
The bit cannot be installed.	1. The sleeve is not released.	1. Release the sleeve.
	2. The bit does not fit the sleeve.	2. Use a suitable adapter or claimed capacity bit.
The motor is overheating.	Be sure cooling vents are free of dust and obstacles.	Clean and clear the vents. Do not cover the vents with your hand during operation.
The LED worklight blinks rapidly.	The tool has stopped working to protect internal circuits.	Release the trigger switch, wait for the tool to cool down, then and start the tool again.
The LED worklight blinks slowly.	The battery charge is very low.	Charge the battery.

WARRANTY

For 5 years from the date of purchase, the impact driver is warranted for the original purchaser to be free from defects in material and workmanship. This guarantee does not cover damage due to abuse, normal wear, improper maintenance, neglect, unauthorized repair/alteration, or expendable parts and accessories expected to become unusable after a reasonable period of use.

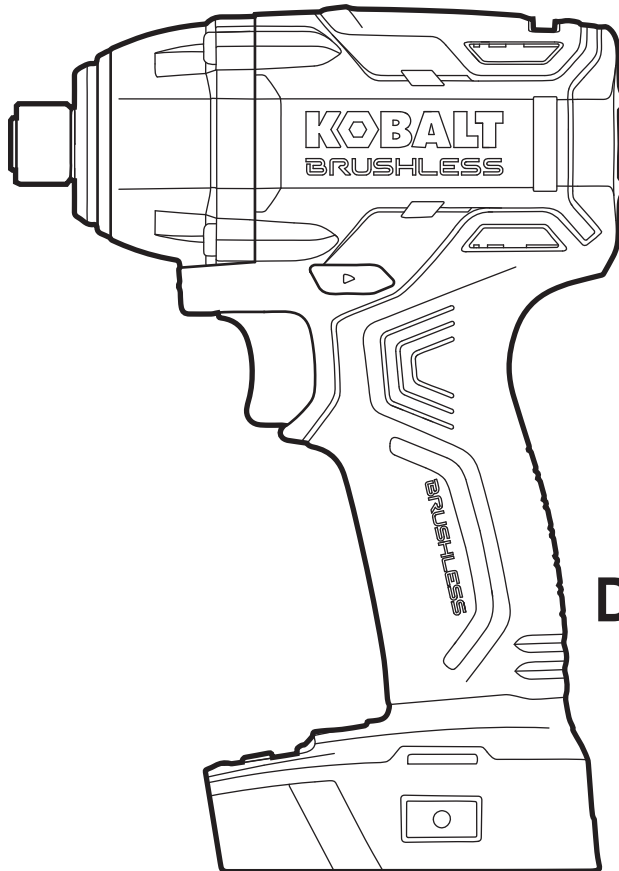
If you think your product meets the above guarantee criteria, please return it to the place of purchase with valid proof of purchase and the defective product will be repaired or replaced at no charge. This guarantee gives you specific legal rights, and you may also have other rights that vary from state to state.

Printed in China

KOBALT® and the K Design® are registered trademarks of LF, LLC. All Rights Reserved.

kobalttools.com **KOBALT**

KOBALT®



ARTÍCULO #0672824/0672826/
0672827/0790022

DESTORNILLADOR DE IMPACTO SIN CEPILLO DE 1/4 PULG.

MODELO #KID 324B-03

KOBALT® y K Design® son marcas registradas de
LF, LLC. Todos los derechos reservados

ADJUNTE SU RECIBO AQUÍ

Número de serie _____ Fecha de compra _____



¿Preguntas, problemas, piezas faltantes? Antes de volver a la tienda, llame a nuestro Departamento de Servicio al Cliente al 1-888-3KOBALT (1-888-356-2258), de lunes a viernes de 8 a.m. a 8 p.m., hora estándar del Este.

kobalttools.com **KOBALT**

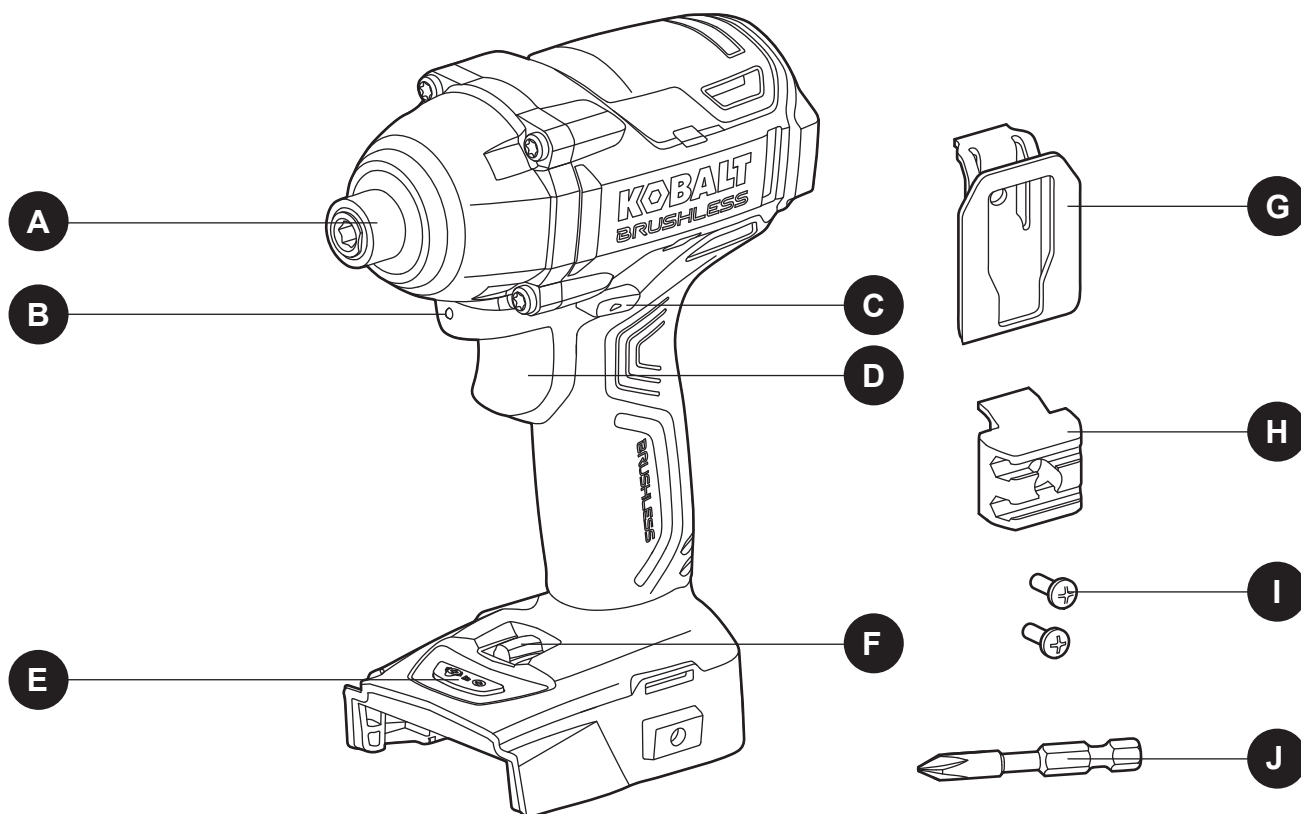
ÍNDICE

Especificaciones del producto	16
Contenido del paquete	17
Información de seguridad	18
Preparación	22
Instrucciones de funcionamiento	22
Cuidado y mantenimiento	28
Solución de problemas	28
Garantía.....	28

ESPECIFICACIONES DEL PRODUCTO

COMPONENTE	ESPECIFICACIONES
Rango de voltaje	24 V CC
Tamaño de mandril	¼ pulg
Velocidad sin carga	0-950/0-2,000/0-2,700 RPM
Impacto máximo	3,500 IPM
Torque máximo	2,073 kgf-m

CONTENIDO DEL PAQUETE



PIEZA	DESCRIPCIÓN
A	Manguito
B	Luz de trabajo LED
C	Selector de dirección de rotación
D	Interruptor de gatillo de velocidad variable
E	Botón de finalización

PIEZA	DESCRIPCIÓN
F	Selector de velocidad
G	Sujetador para cinturón
H	Soporte para brocas
I	Tornillo (2)
J	Broca de impacto

ADVERTENCIA

- Retire la herramienta del paquete y examínela con cuidado. No deseche la caja ni ningún material de embalaje hasta después de examinar todas las piezas.
- Si falta alguna pieza de la herramienta o si alguna pieza está dañada, no fije el paquete de baterías ni use la herramienta hasta reparar o reemplazar la pieza. El incumplimiento de esta advertencia podría provocar lesiones graves.



INFORMACIÓN DE SEGURIDAD

Lea y comprenda completamente este manual antes de intentar ensamblar u operar este producto. Si tiene preguntas relacionadas con el producto, llame al Departamento de Servicio al Cliente al 1-888-3KOBALT, de lunes a viernes de 8 a.m. a 8 p.m., hora estándar del Este.



ADVERTENCIA

- La operación de cualquier herramienta eléctrica puede arrojar objetos extraños a los ojos y, de esta manera, causar graves daños oculares. Use siempre gafas de seguridad con protecciones laterales y, cuando sea necesario, use una máscara que cubra todo el rostro antes de comenzar a operar una herramienta eléctrica. Recomendamos usar una máscara de seguridad de visión amplia sobre los lentes o las gafas de seguridad estándar con protección. Siempre use lentes de protección que cumplan con la norma ANSI Z87.1.
- Parte del polvo causado por el lijado eléctrico, el serruchado, la trituración, el taladro y otras actividades de construcción contiene sustancias químicas que, según el estado de California, causan cáncer, defectos congénitos u otros daños reproductivos. Algunos ejemplos de estos químicos son los siguientes:
 - Plomo de pinturas a base de plomo
 - Sílice cristalina de ladrillos, cemento y otros productos de mampostería
 - Arsénico y cromo de madera tratada con químicos
- El riesgo que corre debido a la exposición a estos químicos varía según la frecuencia con que realiza este tipo de trabajo. Para disminuir su exposición a estas sustancias químicas:
 - Trabaje en un área bien ventilada.
 - Trabaje con equipo de seguridad aprobado, como las mascarillas antipolvo especialmente diseñadas para filtrar partículas microscópicas.
 - Evite estar en contacto prolongado con el polvo provocado por las lijas, sierras, trituradoras y taladros eléctricos y otras actividades de construcción. Use ropa protectora y lave todas las áreas expuestas del cuerpo con agua y jabón. Si permite que el polvo llegue a su boca o a sus ojos, o que repose sobre la piel, puede fomentar la absorción de químicos dañinos.

Conozca la herramienta

Para operar esta herramienta, lea cuidadosamente este manual y las etiquetas fijadas a la herramienta antes de usarla. Guarde este manual para referencia futura.



Importante

Solo un técnico calificado puede reparar esta herramienta.

Lea por completo todas las instrucciones

INFORMACIÓN DE SEGURIDAD

Algunos de los siguientes símbolos pueden aparecer en esta herramienta. Obsérvelos y aprenda su significado. La interpretación correcta de estos símbolos le permitirá utilizar la herramienta de manera eficaz y segura.

SÍMBOLO	DEFINICIÓN	SÍMBOLO	DEFINICIÓN
V	Voltios	n_0	Velocidad sin carga
A	Amperios	/min	Revoluciones o pasadas por minuto
Hz	Hertz		Corriente continua
W	vatios		Corriente alterna

Advertencias de seguridad general para herramientas eléctricas

ADVERTENCIA

- Lea todas las advertencias de seguridad y todas las instrucciones. El incumplimiento de las advertencias y las instrucciones podría provocar descargas eléctricas, incendios o lesiones graves.

Guarde todas las advertencias e instrucciones para referencia futura

El término “herramienta eléctrica” que aparece en las advertencias se refiere a la herramienta eléctrica que se conecta a la línea principal (con cable) o a la herramienta eléctrica que funciona con batería (inalámbrica).

Seguridad en el área de trabajo

- **Mantenga el área de trabajo limpia y bien iluminada.** Las áreas desordenadas u oscuras aumentan las posibilidades de accidentes.
- **No utilice herramientas eléctricas en atmósferas en las que exista riesgo de explosión, como por ejemplo en presencia de líquidos inflamables, gases o polvo.** Las herramientas eléctricas producen chispas que podrían encender el polvo o humo.
- **Mantenga a los niños y las personas cercanas alejadas durante la operación de una herramienta eléctrica.** Las distracciones pueden provocar que pierda el control.

Seguridad eléctrica

- **Los enchufes de las herramientas eléctricas deben encajar en el tomacorriente. Nunca modifique el enchufe de ninguna manera. No utilice ningún enchufe adaptador con herramientas eléctricas con puesta a tierra.** Los enchufes sin modificaciones y que encajan en los tomacorrientes reducen el riesgo de descarga eléctrica.
- **Evite el contacto del cuerpo con superficies conectadas a tierra, como tuberías, radiadores, extractores o refrigeradores.** Existe un gran riesgo de descarga eléctrica si su cuerpo tiene conexión a tierra.



INFORMACIÓN DE SEGURIDAD

- **No exponga las herramientas eléctricas a la lluvia o a condiciones de humedad.** Si ingresa agua en una herramienta eléctrica, aumentará el riesgo de descarga eléctrica.
- **No maltrate el cable. Nunca use el cable para transportar, jalar o desenchufar la herramienta eléctrica. Mantenga el cable alejado del calor, el aceite, los bordes filosos o las piezas en movimiento.** Los cables dañados o enredados aumentan el riesgo de descarga eléctrica.
- **Cuando opere una herramienta eléctrica en exteriores, use una extensión eléctrica adecuada para uso en exteriores.** El uso de un cable apto reduce el riesgo de descarga eléctrica.
- **Si debe utilizar herramientas eléctricas en un área húmeda, use un suministro protegido con un interruptor de circuito de falla de puesta a tierra (GFCI, por sus siglas en inglés).** El uso de un GFCI disminuye el riesgo de descarga eléctrica.

Seguridad personal

- **Manténgase alerta, observe lo que hace y actúe con sentido común al operar una herramienta eléctrica. No utilice una herramienta eléctrica si está cansado o bajo los efectos de drogas, alcohol o medicamentos.** Un momento de desatención mientras opera herramientas eléctricas puede provocar lesiones personales graves.
- **Use un equipo de protección personal. Use siempre lentes de protección.** Los equipos de protección, como mascarillas antipolvo, zapatos de seguridad antideslizantes, casco protector o protección auditiva, utilizados para las condiciones adecuadas, disminuyen las lesiones personales.
- **Evite un arranque accidental. Asegúrese de que el interruptor esté en la posición OFF (apagado) antes de enchufar la herramienta a una fuente de alimentación o batería, levantarla o transportarla.** Transportar herramientas eléctricas con el dedo en el interruptor o enchufar herramientas eléctricas que tienen el interruptor encendido aumenta las posibilidades de accidentes.
- **Retire todas las llaves de ajuste o llaves inglesas antes de encender la herramienta eléctrica.** Si se deja una llave inglesa o una llave conectada a una pieza giratoria de la herramienta eléctrica, se pueden producir lesiones personales.
- **No se incline demasiado. Mantenga una posición y un equilibrio adecuados en todo momento.** Esto permite un mejor control de la herramienta eléctrica en situaciones inesperadas.
- **Use ropa adecuada. No use ropa holgada ni joyas. Mantenga el cabello, la ropa y los guantes lejos de las piezas en movimiento.** La ropa holgada, las joyas o el cabello largo pueden quedar atrapados en las piezas giratorias.
- **Si se proporcionan dispositivos para la conexión de equipos de extracción y recolección de polvo, asegúrese de que se conecten y se usen debidamente.** El uso de estos dispositivos puede disminuir los peligros relacionados con el polvo.

Uso y cuidado de las herramientas eléctricas

- **No fuerce la herramienta eléctrica. Utilice la herramienta eléctrica adecuada para su aplicación.** La herramienta eléctrica adecuada realizará un trabajo más seguro y de mejor calidad al ritmo para el que fue diseñada.
- **No utilice la herramienta eléctrica si el interruptor no la enciende o apaga.** Cualquier herramienta eléctrica que no pueda controlarse con el interruptor es peligrosa y debe repararse.
- **Desconecte el enchufe de la fuente de alimentación o la batería de la herramienta eléctrica antes de realizar cualquier ajuste, cambiar accesorios o almacenar herramientas eléctricas.** Este tipo de medidas de seguridad preventivas reduce el riesgo de arranques accidentales de la herramienta eléctrica.



INFORMACIÓN DE SEGURIDAD

- **Almacene las herramientas eléctricas que no estén en uso fuera del alcance de los niños y no permita que personas no familiarizadas con la herramienta o estas instrucciones la operen.** Las herramientas eléctricas son peligrosas en manos de usuarios sin capacitación.
- **Realice mantenimiento a las herramientas eléctricas. Revise si hay desalineación o atascamiento de piezas móviles o si están rotas, así como cualquier otra condición que pueda afectar la operación de la herramienta eléctrica.** Si se daña, haga reparar la herramienta eléctrica antes de usarla. Muchos accidentes son producto del mantenimiento incorrecto de las herramientas eléctricas.
- **Mantenga las herramientas de corte afiladas y limpias.** Las herramientas de corte que se mantienen de forma adecuada, con sus bordes de corte afilados, tienen un riesgo menor de trabarse y son más fáciles de controlar.
- **Use la herramienta eléctrica, los accesorios, las brocas, etc., de acuerdo con estas instrucciones, considerando las condiciones de trabajo y el trabajo que desea realizar.** El uso de la herramienta eléctrica en operaciones distintas para las que fue diseñada podría crear una situación de peligro.

Uso y cuidado de herramientas con batería

- **Recargue solo con el cargador especificado por el fabricante.** Un cargador adecuado para un tipo de paquete de baterías puede crear un riesgo de incendio cuando se usa con otro paquete de baterías.
- **Use herramientas eléctricas solo con paquetes de baterías designados específicamente.** El uso de cualquier otro paquete de baterías puede crear un riesgo de lesión e incendio.
- **Cuando un paquete de baterías no está en uso, aléjelo de otros objetos metálicos, como sujetapapeles, monedas, llaves, clavos, tornillos u otros objetos metálicos pequeños que pudieran crear una conexión entre los terminales.** Es posible que una conexión entre los terminales produzca quemaduras o un incendio.
- **En condiciones de maltrato, es posible que salga líquido de la batería; evite el contacto. Si se produce un contacto accidental, enjuague con agua. Si el líquido entra en contacto con los ojos, además de esto, solicite atención médica.** El líquido que sale de la batería puede provocar irritación o quemaduras.

Reparación

- **Permita que solo una persona capacitada repare la herramienta eléctrica, utilizando solo piezas de repuesto idénticas.** Esto mantendrá la seguridad de la herramienta eléctrica.

Advertencias específicas de seguridad para llave de percusión

- **Sostenga las herramientas eléctricas por las áreas de agarre aisladas al realizar una operación en la que el accesorio de corte pueda entrar en contacto con cableado oculto o con su propio cable.** El contacto con un alambre “vivo” podría hacer que las piezas metálicas expuestas de la herramienta eléctrica también lo estén y el operador sufrirá una descarga.
- **Utilice protectores para los oídos cuando realice una perforación de impacto.** La exposición al ruido puede causar la pérdida de la audición.
- **Asegure la pieza de trabajo.** Sostenga la pieza de trabajo en su lugar con abrazaderas o una prensa de tornillo, esto es mejor y más seguro que sostenerla con la mano.
- **Siempre espere hasta que la herramienta se detenga por completo antes de colocarla hacia abajo.** El accesorio de la herramienta se puede atascar y provocar la pérdida de control sobre la herramienta eléctrica.

INFORMACIÓN DE SEGURIDAD

- Antes de realizar cualquier tipo de trabajo en la herramienta (por ejemplo: Mantenimiento, cargar la herramienta, etc.), al igual que al transportarla o almacenarla, siempre gire el interruptor de dirección de rotación a la posición central. La activación accidental del interruptor de encendido/apagado podría ocasionar lesiones personales.
- Cuando trabaje con la herramienta eléctrica, siempre sosténgala firmemente con ambas manos y adopte una posición segura. Es más seguro guiar la herramienta eléctrica con ambas manos.

PREPARACIÓN

Conozca su destornillador eléctrico

Antes de intentar usar el destornillador eléctrico, familiarícese con todas sus características de operación y requisitos de seguridad.

Herramienta útil (no se incluyen): Destornillador Phillips.

ADVERTENCIA

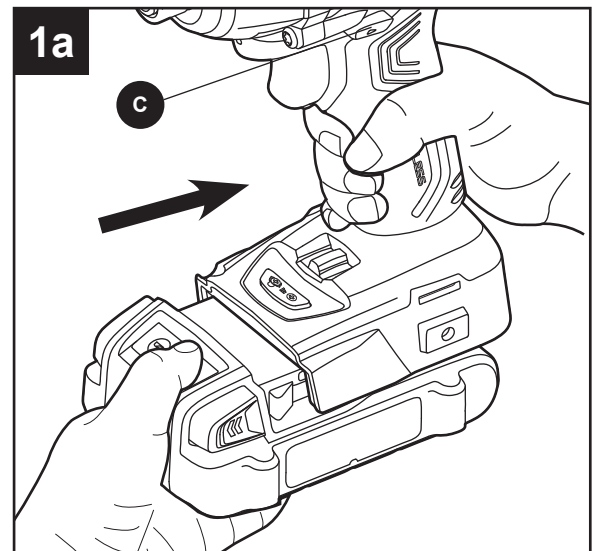
- No permita que la familiaridad con el destornillador eléctrico lo vuelva descuidado. Recuerde que un momento de descuido es suficiente para causar lesiones graves. Antes de intentar utilizar cualquier herramienta, asegúrese de familiarizarse con todas las funciones de operación e instrucciones de seguridad.
- No intente modificar esta herramienta ni crear accesorios que no sean los recomendados para esta. Cualquier alteración o modificación es considerada un mal uso y podría causar una condición peligrosa que podría conllevar lesiones personales graves.

INSTRUCCIONES DE FUNCIONAMIENTO

1. Para fijar el paquete de baterías

- a. Coloque el selector de dirección de rotación (C) en la posición central (de bloqueo).
- b. Alinee la parte elevada del paquete de baterías con las ranuras de la parte inferior de la herramienta y luego deslice el paquete de baterías en la herramienta, como se muestra.
- c. Asegúrese de que los botones de liberación de la batería del paquete de baterías encajen en su lugar y que el paquete de baterías esté fijo en la herramienta antes de comenzar la operación.

AVISO: Al colocar el paquete de baterías en la herramienta, asegúrese de que la varilla elevada del paquete de baterías se alinee con la ranura de la herramienta y que los pestillos encajen en su lugar adecuadamente. El ensamblaje inadecuado del paquete de baterías puede provocar daños a los componentes internos.



INSTRUCCIONES DE FUNCIONAMIENTO

Para liberar el paquete de baterías

- Coloque el selector de dirección de rotación (C) en la posición central (de bloqueo).
- Presione los botones de liberación de la batería para liberar el paquete de baterías.
- Jale el paquete de baterías hacia delante para retirar la batería de la herramienta.

ADVERTENCIA

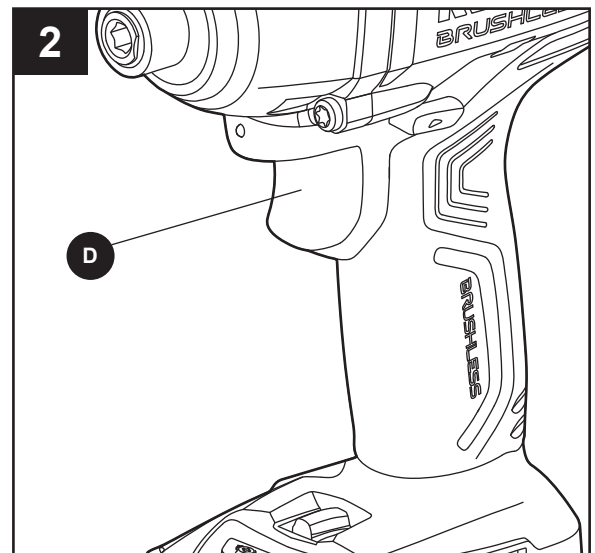
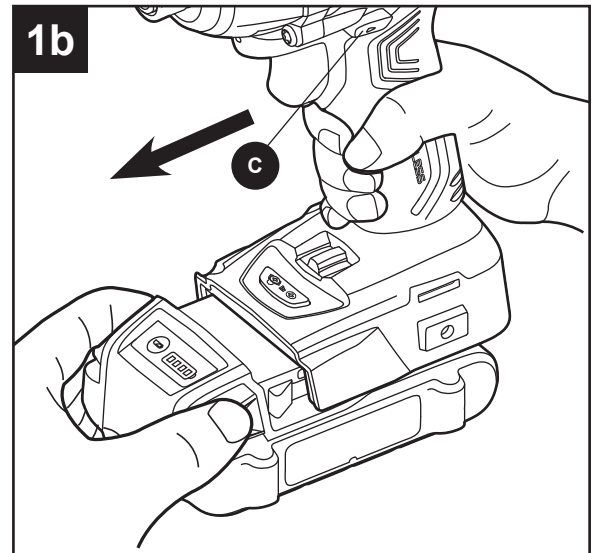
- Las herramientas con batería siempre están en condiciones de operación. Por lo tanto, el selector de dirección de rotación siempre debe estar bloqueado (al centro) cuando la herramienta no se encuentre en uso o al transportar la herramienta a su costado.

2. Interruptor de gatillo de velocidad variable

- Presione el interruptor de gatillo de velocidad variable (D) para encender el destornillador eléctrico.
- Para apagarlo, suelte el interruptor de gatillo de velocidad variable.
- El interruptor de gatillo de velocidad variable proporciona mayor velocidad con mayor presión en el gatillo y menor velocidad con menor presión en el gatillo.

Freno eléctrico

El destornillador eléctrico está equipado con un freno eléctrico. Al soltar el interruptor de gatillo (D), se activará automáticamente el freno eléctrico para detener rápidamente la rotación.

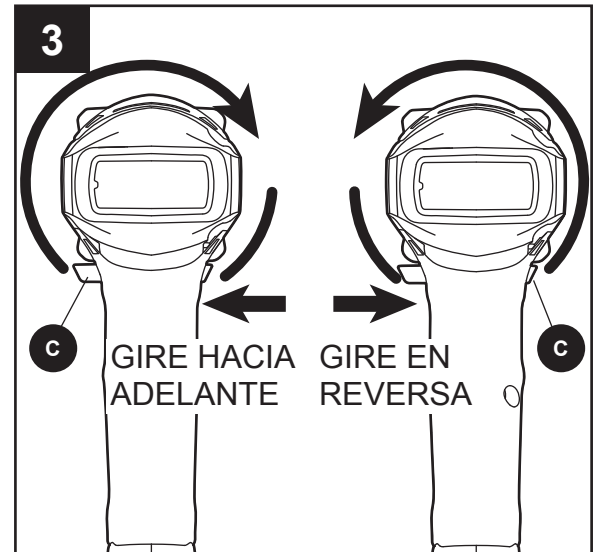


INSTRUCCIONES DE FUNCIONAMIENTO

3. Selector de dirección de rotación (Adelante /Bloqueo central/Atrás)

La dirección de rotación de la broca es reversible y se controla mediante el selector ubicado sobre el interruptor de gatillo. Con el destornillador eléctrico sostenido en la posición de operación normal, apuntando en dirección opuesta a usted:

- Coloque el selector de dirección de rotación (C) a la izquierda de la herramienta para que gire hacia delante.
- Coloque el selector de dirección de rotación a la derecha de la herramienta para que gire en reversa.
- Fijar el selector en la posición central (de bloqueo) ayuda a reducir la posibilidad de arranque accidental cuando no se está usando.



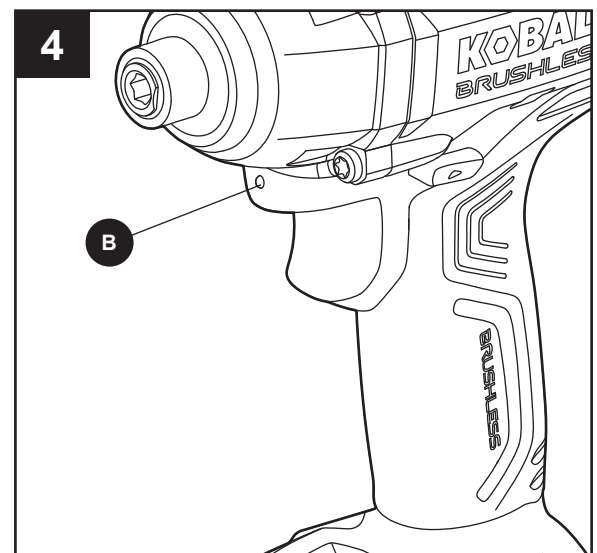
AVISO: Para evitar el daño en las velocidades, siempre deje que el destornillador eléctrico se detenga por completo antes de cambiar la dirección de la rotación.

AVISO: El destornillador eléctrico no funciona a menos que el selector de dirección de rotación esté completamente posicionado a la izquierda o la derecha.

4. Luz de trabajo LED

La luz de trabajo LED (B), ubicada sobre el interruptor de gatillo de velocidad variable (D) en el destornillador eléctrico, se iluminará al presionar el interruptor de gatillo de velocidad variable. Esto brinda más iluminación en la superficie de la pieza de trabajo para usar la herramienta en áreas con poca iluminación. La luz se apagará automáticamente por aproximadamente 10 segundos luego de que suelte el interruptor de gatillo.

- La luz de trabajo con bombilla LED titilará con rapidez si la herramienta deja de funcionar para proteger los circuitos internos; espere a que la herramienta se enfríe para que pueda volver a funcionar.
- La luz de trabajo con bombilla LED titilará más lento para indicar que el nivel de batería está muy bajo.



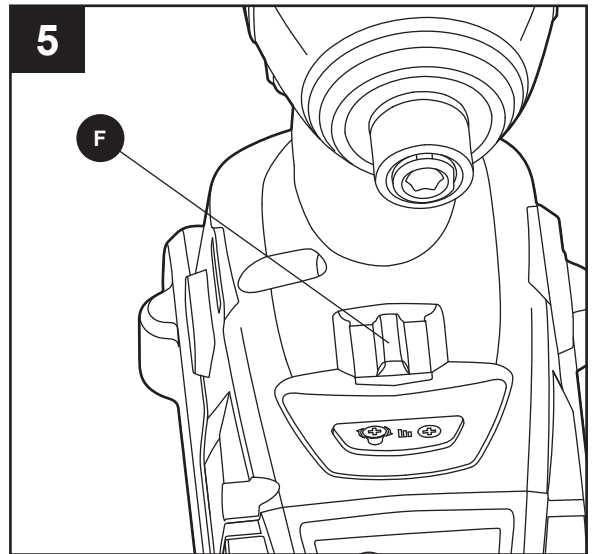
INSTRUCCIONES DE FUNCIONAMIENTO

5. Selector de velocidad

El destornillador eléctrico tiene un selector de velocidad (F) ubicado en la base, para seleccionar entre tres gamas diferentes de velocidad variable (consulte la sección de **especificaciones**).

- 1: El destornillador eléctrico proporciona velocidad y fuerza de torsión mínimas.
- 2: El destornillador eléctrico proporciona velocidad y fuerza de torsión medias.
- 3: El destornillador eléctrico proporciona velocidad y fuerza de torsión máximas.

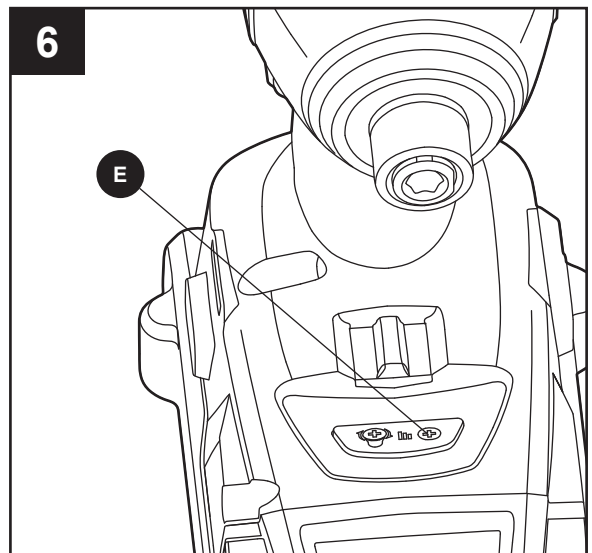
AVISO: No cambie la gama de velocidades mientras la herramienta está en funcionamiento. La gama de velocidades no cambiará hasta que suelte el interruptor de gatillo de velocidad variable.



6. Modalidad de acabado

Con la modalidad de acabado se tiene un mejor control de la acción de impacto y es útil, ya que el cabezal del sujetador se acerca al nivel de la pieza de trabajo. En la modalidad de acabado, cada vez que se presione sucesivamente el interruptor de gatillo de velocidad variable (D), se producirá una explosión de muy corto impacto. El botón de finalización (E) se ubica en la base de la herramienta.

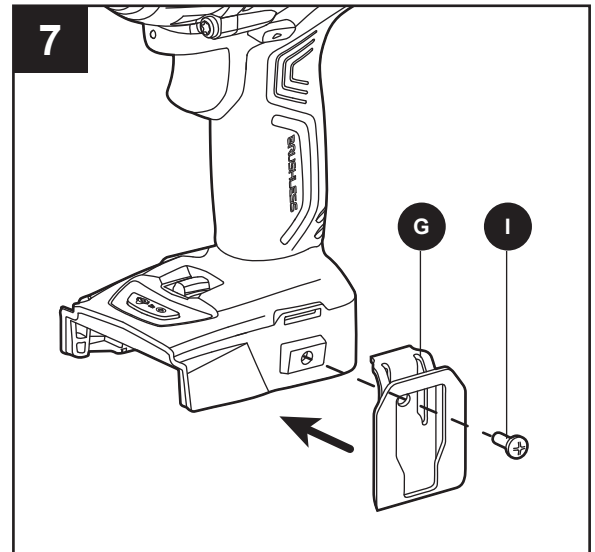
- a. Para activar la modalidad de acabado, asegúrese de que haya una batería correctamente conectada a la herramienta, suelte el interruptor de gatillo de velocidad variable para encender la herramienta y luego presione el botón de acabado. La luz verde en el botón de acabado se iluminará para indicar que la modalidad de acabado está activada.
- b. La modalidad de acabado se puede activar y desactivar por aproximadamente 15 minutos luego de la última vez que suelte del gatillo de velocidad variable.
- c. Si pasaron más de 15 minutos, repita el proceso que se describe anteriormente para activar la modalidad de acabado.



INSTRUCCIONES DE FUNCIONAMIENTO

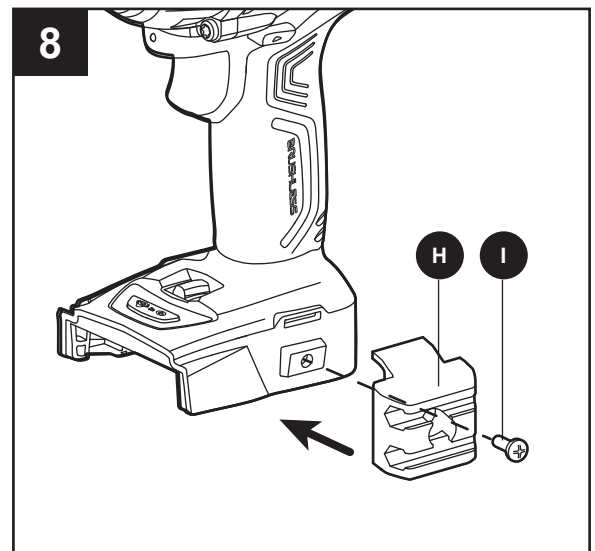
7. Instalación y eliminación del sujetador para cinturón

- Alinee la pestaña del sujetador para cinturón (G) con el orificio en la base del destornillador.
- Coloque el tornillo (I) y apriételo firmemente con un destornillador Phillips (no incluido).
- Para eliminar el sujetador para cinturón, utilice un destornillador Phillips para aflojar el tornillo que fija el sujetador para cinturón al destornillador.



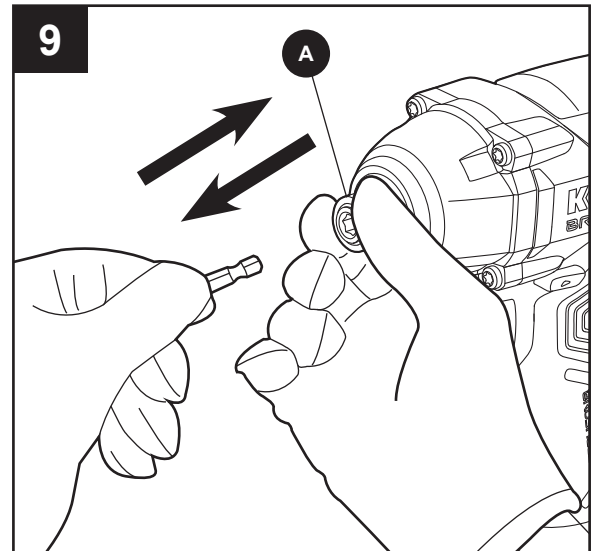
8. Instalación y eliminación del soporte para brocas

- Alinee la pestaña del soporte para brocas (H) con el orificio en la base del destornillador eléctrico.
- Coloque el tornillo (I) y apriételo firmemente con un destornillador Phillips (no incluido).
- Para eliminar el soporte para brocas, utilice un destornillador Phillips para aflojar el tornillo que fija el sujetador para cinturón al destornillador.



9. Instalación de las brocas

- Coloque el selector de dirección de rotación (C) en la posición central (de bloqueo).
- Con una mano, jale el manguito (A) hacia la parte frontal de la herramienta y sosténgalo en el lugar.
- Con la otra mano, inserte una broca de ¼ pulg. (disponible por separado) en el orificio hexagonal del retenedor de brocas.
- Libere el manguito y verifique que vuelva a su posición original.



INSTRUCCIONES DE FUNCIONAMIENTO

ADVERTENCIA

- Si el manguito no vuelve a su posición original, es probable que la broca no esté instalada correctamente. Vuelva a intentarlo hasta que la broca quede instalada correctamente y el manguito vuelva a su posición original.

Retiro de las brocas

ADVERTENCIA

- Use guantes protectores al retirar la broca de la herramienta o primero deje que la broca se enfríe. Es posible que la broca esté caliente después de un uso prolongado.
 - a. Coloque el selector de dirección de rotación (C) en la posición central (de bloqueo).
 - b. Jale el manguito (A) hacia la parte frontal de la herramienta y sosténgalo en el lugar.
 - c. Retire la broca del orificio hexagonal en el retenedor de brocas.
 - d. Libere el manguito.


10. Apretado y aflojamiento de los tornillos y las tuercas

- a. Instale la broca correcta.
- b. Seleccione la modalidad de acabado según sea necesario, de acuerdo con la pieza de trabajo.
- c. Seleccione la gama de velocidades adecuada para la aplicación. Se recomienda hacer una prueba en material de desecho para determinar la selección de velocidades.
- d. Aplique solo la presión suficiente para mantener la broca insertada en el tornillo o la tuerca.
- e. Aplique una presión mínima al interruptor de gatillo de velocidad variable (B) inicialmente. Aumente la velocidad solo cuando pueda mantener un control completo.

ADVERTENCIA

- No apriete demasiado, ya que la fuerza del destornillador eléctrico puede romper el sujetador. Mantenga el destornillador eléctrico en un ángulo recto con respecto al sujetador para evitar dañar el cabezal del sujetador.

CUIDADO Y MANTENIMIENTO

-  Todos los mantenimientos deben ser realizados solo por un técnico calificado.

Limpieza

Antes de limpiar o realizar cualquier mantenimiento, retire el paquete de baterías del destornillador eléctrico. Para un uso seguro y adecuado, siempre mantenga limpias la herramienta y sus ranuras de ventilación.

Siempre use solamente un paño suave y seco para limpiar el destornillador eléctrico; nunca use detergente ni alcohol.

SOLUCIÓN DE PROBLEMAS

ADVERTENCIA

- Coloque el selector de dirección de rotación (C) en la posición de bloqueo central y retire el paquete de baterías del destornillador eléctrico antes de realizar procedimientos de solución de problemas.

PROBLEMA	CAUSA POSIBLE	ACCIÓN CORRECTIVA
El destornillador no funciona.	El paquete de baterías está agotado.	Cargue el paquete de baterías.
No se puede instalar la broca.	1. No ha aflojado el manguito.	1. Afloje el manguito.
	2. La broca no encaja en el manguito.	2. Utilice un adaptador adecuado o una broca con la capacidad requerida.
El motor está demasiado caliente.	Asegúrese de que las ventilas de enfriamiento estén libres de polvo y obstáculos.	Limpie las ventilas. No cubra las ventilas con la mano durante el funcionamiento.
La luz de trabajo con bombilla LED titila con rapidez.	La herramienta ha dejado de funcionar para proteger los circuitos internos.	Suelte el interruptor de gatillo, espere a que la herramienta se enfríe y luego enciéndala de nuevo.
La luz de trabajo con bombilla LED titila con lentitud.	El nivel de batería está muy bajo.	Cargue la batería.

GARANTÍA

El destornillador eléctrico está garantizado contra defectos de fabricación en materiales y mano de obra por 5 años desde la fecha de compra para el comprador original. Esta garantía no cubre daños por el abuso, desgaste normal, mantenimiento inadecuado, negligencia, reparación/ alteración no autorizada o piezas fungibles y accesorios que se esperan que sean inutilizables después de un período de uso razonable.

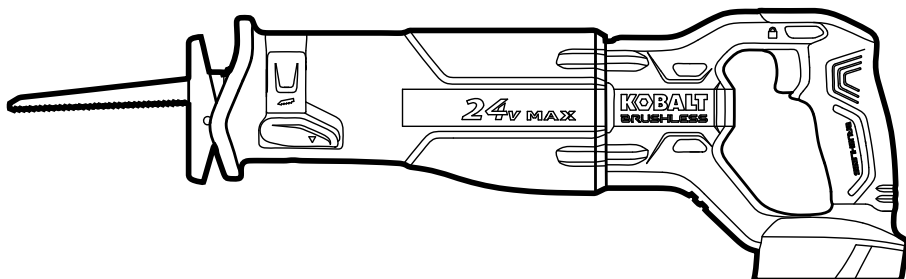
Si cree que este producto cumple con la garantía mencionada arriba, devuelva el producto al lugar donde lo compró con un comprobante de compra válido y el producto defectuoso se reparará o reemplazará sin cargo. Esta garantía le otorga derechos legales específicos, pero también podría tener otros derechos que varían según el estado.

Impreso en China

KOBALT® y K Design® son marcas registradas de LF, LLC. Todos los derechos reservados.

kobalttools.com **KOBALT**

KOBALT™



ITEM #0672831/0672826/0877730

BRUSHLESS RECIPROCATING SAW

MODEL #KRS 1824B-03

Español p. 17

ATTACH YOUR RECEIPT HERE

Serial Number _____ Purchase Date _____



Questions, problems, missing parts? Before returning to your retailer, call our customer service department at 1-888-3KOBALT (1-888-356-2258), 8 a.m. - 8 p.m., EST, Monday - Friday.

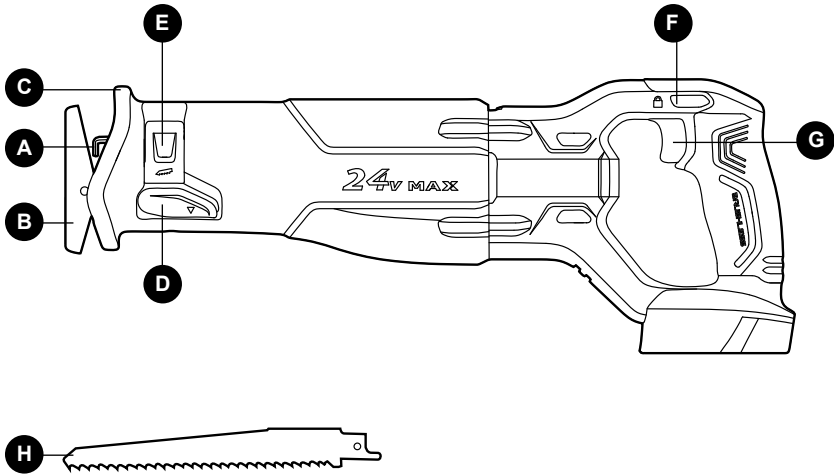
TABLE OF CONTENTS

Product Specifications.....	2
Package Contents.....	3
Safety Information.....	4
Preparation.....	8
Operating Instructions.....	9
Care and Maintenance.....	14
Troubleshooting.....	15
Warranty.....	15

PRODUCT SPECIFICATIONS

COMPONENT	SPECIFICATION
Rated voltage	24 V d.c.
No-load speed	0-3,100 SPM
Blade stroke	1-1/8 in.

PACKAGE CONTENTS



PART	DESCRIPTION
A	Blade clamp
B	Pivoting shoe
C	LED work light
D	Shoe-release lever

PART	DESCRIPTION
E	Blade-release lever
F	Switch-lock button
G	Variable-speed trigger switch
H	Bi-metal blade

⚠ WARNING

- Remove the tool from the package and examine it carefully. Do not discard the carton or any packaging material until all parts have been examined.
- If any part of the tool is missing or damaged, do not attach the battery pack or use the tool until the part has been repaired or replaced. Failure to heed this warning could result in serious injury.



SAFETY INFORMATION

Please read and understand this entire manual before attempting to assemble or operate this product. If you have any questions regarding the product, please call customer service at 1-888-3KOBALT, 8 a.m. - 8 p.m., EST, Monday - Friday.



WARNING

- The operation of any power tool can result in foreign objects being thrown into your eyes, which can result in severe eye damage. Before beginning power-tool operation, always wear safety goggles or safety glasses with side shields and a full-face shield, when needed. It is recommended to use a wide vision safety mask over eyeglasses or standard safety glasses with shields. Always use eye protection marked to comply with ANSI Z87.1.
- Some dust created by power sanding, sawing, grinding, drilling, and other construction activities contains chemicals known to the state of California to cause cancer, birth defects, or other reproductive harm. Some examples of these chemicals are:
 - Lead from lead-based paints
 - Crystalline silica from bricks, cement, and other masonry products
 - Arsenic and chromium from chemically-treated lumber
- Your risk from these exposures varies, depending upon how often you do this type of work. To reduce your exposure to these chemicals:
 - Work in a well-ventilated area.
 - Work with approved safety equipment, such as dust masks that are specially designed to filter out microscopic particles.
 - Avoid prolonged contact with dust from power sanding, sawing, grinding, drilling, and other construction activities. Wear protective clothing and wash exposed areas with soap and water. Allowing dust to get into your mouth or eyes or to lie on the skin may promote absorption of harmful chemicals.

Know the Tool

To operate this tool, carefully read this manual and all labels affixed to the tool before using it. Keep this manual available for future reference.



Important

This tool should be serviced only by a qualified service technician.

Read All Instructions Thoroughly

SAFETY INFORMATION

Some of the following symbols may be used on this tool. Please study them and their meaning. Proper interpretation of these symbols will allow you to operate the tool better and more safely.

SYMBOL	DEFINITION	SYMBOL	DEFINITION
V	Volts	n_0	No-load Speed
A	Amps	/min	Revolutions or Strokes per Minute
Hz	Hertz		Direct Current
W	Watts		Alternating Current

General Power Tool Safety Warnings

WARNING

- **Read all safety warnings and all instructions.** Failure to follow the warnings and instructions may result in electric shock, fire and/or serious injury.

Save all warnings and instructions for future reference

The term “power tool” in the warnings refers to your mains-operated (corded) power tool or battery-operated (cordless) power tool.

Work Area Safety

- **Keep work area clean and well lit.** Cluttered or dark areas invite accidents.
- **Do not operate power tools in explosive atmospheres, such as in the presence of flammable liquids, gases or dust.** Power tools create sparks, which may ignite the dust or fumes.
- **Keep children and bystanders away while operating a power tool.** Distractions can cause you to lose control.

Electrical Safety

- **Power tool plugs must match the outlet. Never modify the plug in any way. Do not use any adaptor plugs with earthed (grounded) power tools.** Unmodified plugs and matching outlets will reduce the risk of electric shock.
- **Avoid body contact with earthed or grounded surfaces such as pipes, radiators, ranges and refrigerators.** There is an increased risk of electric shock if your body is earthed or grounded.
- **Do not expose power tools to rain or wet conditions.** Water entering a power tool will increase the risk of electric shock.
- **Do not abuse the cord. Never use the cord for carrying, pulling or unplugging the power tool. Keep cord away from heat, oil, sharp edges or moving parts.** Damaged or entangled cords increase the risk of electric shock.



SAFETY INFORMATION

- **When operating a power tool outdoors, use an extension cord suitable for outdoor use.** Use of a cord suitable for outdoor use reduces the risk of electric shock.
- **If operating a power tool in a damp location is unavoidable, use a ground-fault circuit interrupter (GFCI) protected supply.** Use of a GFCI reduces the risk of electric shock.

Personal Safety

- **Stay alert, watch what you are doing and use common sense when operating a power tool. Do not use a power tool while you are tired or under the influence of drugs, alcohol or medication.** A moment of inattention while operating power tools may result in serious personal injury.
- **Use personal protective equipment. Always wear eye protection.** Protective equipment such as dust mask, non-skid safety shoes, hard hat, or hearing protection, used for appropriate conditions, will reduce personal injuries.
- **Prevent unintentional starting. Ensure the switch is in the off-position before connecting to power source and/or battery pack, picking up or carrying the tool.** Carrying power tools with your finger on the switch or energizing power tools that have the switch on invites accidents.
- **Remove any adjusting key or wrench before turning the power tool on.** A wrench or a key left attached to a rotating part of the power tool may result in personal injury.
- **Do not overreach. Keep proper footing and balance at all times.** This enables better control of the power tool in unexpected situations.
- **Dress properly. Do not wear loose clothing or jewelry. Keep your hair, clothing and gloves away from moving parts.** Loose clothes, jewelry or long hair can be caught in moving parts.
- **If devices are provided for the connection of dust extraction and collection facilities, ensure that these are connected and properly used.** Use of these devices can reduce dust-related hazards.

Power Tool Use and Care

- **Do not force the power tool. Use the correct power tool for your application.** The correct power tool will do the job better and safer at the rate for which it was designed.
- **Do not use the power tool if the switch does not turn it on and off.** Any power tool that cannot be controlled with the switch is dangerous and must be repaired.
- **Disconnect the plug from the power source and/or the battery pack from the power tool before making any adjustments, changing accessories, or storing power tools.** Such preventive safety measures reduce the risk of starting the power tool accidentally.
- **Store idle power tools out of the reach of children and do not allow persons unfamiliar with the power tool or these instructions to operate the power tool.** Power tools are dangerous in the hands of untrained users.
- **Maintain power tools. Check for misalignment or binding of moving parts, breakage of parts and any other condition that may affect the power tool's operation. If damaged, have the power tool repaired before use.** Many accidents are caused by poorly maintained power tools.
- **Keep cutting tools sharp and clean.** Properly maintained cutting tools with sharp cutting edges are less likely to bind and are easier to control.
- **Use the power tool, accessories, tool bits, etc., in accordance with these instructions, taking into account the working conditions and the work to be performed.** Use of the power tool for operations different from those intended could result in a hazardous situation.



Battery Tool Use and Care

- **Recharge only with the charger specified by the manufacturer.** A charger that is suitable for one type of battery pack may create a risk of fire when used with another battery pack.
- **Use power tools only with specifically designated battery packs.** Use of any other battery packs may create a risk of injury and fire.
- **When battery pack is not in use, keep it away from other metal objects like paper clips, coins, keys, nails, screws or other small metal objects that can make a connection from one terminal to another.** Shorting the battery terminals together may cause burns or a fire.
- **Under abusive conditions, liquid may be ejected from the battery; avoid contact. If contact accidentally occurs, flush with water. If liquid contacts eyes, additionally seek medical help.** Liquid ejected from the battery may cause irritation or burns.

Service

- **Have your power tool serviced by a qualified repair person using only identical replacement parts.** This will ensure that the safety of the power tool is maintained.

Specific Safety Warnings for Reciprocating Saw

- **Hold the power tool by its insulated gripping surfaces when performing an operation where the cutting accessory may contact hidden wiring or its own cord.** A cutting accessory in contact with a "live" wire may make exposed metal parts of the power tool "live" and could give the operator an electric shock.
- **Use clamps or another practical way to secure and support the workpiece to a stable platform.** Holding the work by hand or against your body leaves it unstable and may lead to loss of control.
- Always wait until the tool has come to a complete stop before placing it down. The tool insert can jam and lead to loss of control over the power tool.
- When working with the power tool, always hold it firmly with both hands and provide a secure stance. The power tool is guided more securely with both hands.
- Always remove the battery pack before changing the saw blade and/or adjusting the saw base.
- The saw blade must be securely locked in its holder. Check that it has been securely seated before use.
- Make certain that all adjusting levers and the blade holder are tight before making a cut. Loose adjusting levers and holders can cause the tool or blade to slip; loss of control may result.
- Never touch the saw blade after immediate use. It may be hot after prolonged use.
- Always wear safety goggles or eye protection when using this tool. Use a dust mask or respirator or connect the tool to an external dust vacuum if cutting generates a great amount of dust.
- Keep hands away from cutting area. Do not reach under the material being cut. The proximity of the blade to your hand is hidden from your sight.
- Do not use dull or damaged saw blades and accessories.

PREPARATION

Know Your Impact Driver

Before attempting to use the reciprocating saw, familiarize yourself with all of its operating features and safety requirements.

WARNING

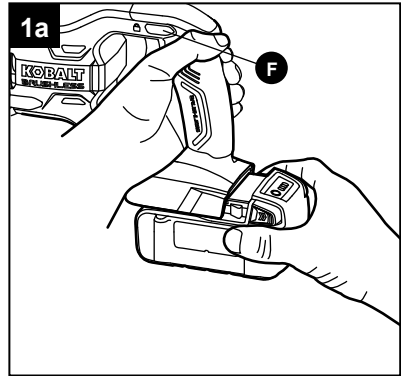
- Do not allow familiarity with the reciprocating saw to cause carelessness. Remember that one careless moment is enough to cause severe injury. Before attempting to use any tool, be sure to become familiar with all of the operating features and safety instructions.
- Do not attempt to modify this tool or create accessories not recommended for use with this tool. Any such alteration or modification is misuse and could result in a hazardous condition leading to possible serious personal injury.

OPERATING INSTRUCTIONS

1. Battery Pack

To Attach Battery Pack

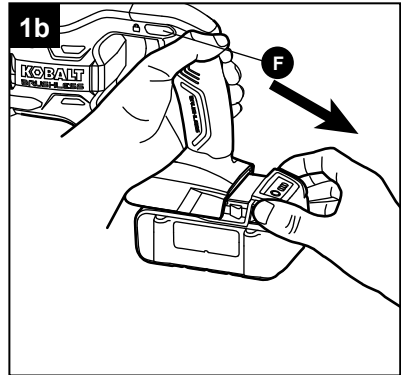
- Press the switch-lock button (F) to the lock position.
- Align the raised portion on the battery pack with the grooves on the bottom of the tool and slide the battery pack onto the saw as shown.
- Make sure that the latches on the battery pack snap into place and the battery pack is secured to the tool before beginning operation.




NOTICE: When placing the battery pack on the tool, be sure that the raised rib on battery pack aligns with the groove on the tool and the latches snap into place properly. Improper assembly of the battery pack can cause damage to internal components.

To Detach Battery Pack

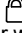
- Place the switch-lock button (F) to the lock position.
- Press the battery-release buttons to release the battery pack.
- Pull forward on the battery pack to remove it from the tool.

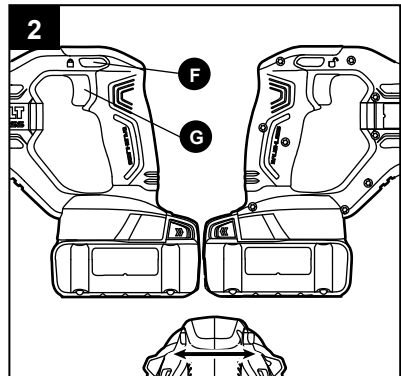


2. Variable-speed Trigger Switch and Switch-Lock Button

- To turn the saw ON, press the switch-lock button (F) marked  to unlock the switch, then squeeze the variable-speed trigger switch (G).
- To turn it OFF, release the variable-speed trigger switch.

WARNING

- Battery tools are always in operating condition. Therefore, always press the switch-lock button marked  to lock the switch when the saw is not in use or when carrying the saw at your side.



Variable Speed

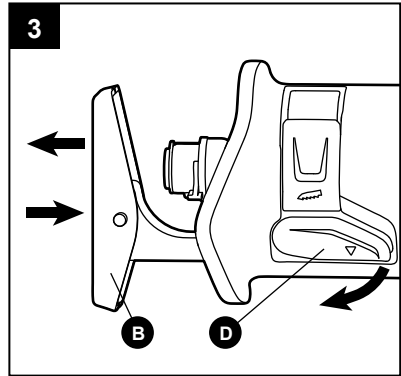
The variable-speed trigger switch (G) delivers higher speed with increased trigger pressure and lower speed with decreased trigger pressure.

OPERATING INSTRUCTIONS

3. Pivoting Shoe Adjustment

For maximum control and longer blade life, the pivoting shoe assembly (B) slides in or out to adjust the effective stroke length.

- Remove the battery pack from the saw.
- Pivot the shoe-release lever (D) to the vertical position to release the pivoting shoe.
- Pull the shoe to the desired position.
- Pivot the shoe-release lever to its original position to tighten the shoe.



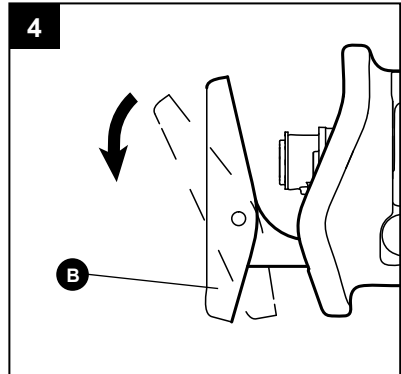
4. Pivoting the Shoe

The pivoting shoe (B) pivots to provide maximum contact with the surface being cut.

- Remove the battery pack from the saw.
- Hold the saw securely, then pivot the shoe to the desired angle.

! WARNING

- To avoid injury and damage, do not operate the saw without the pivoting shoe in place. The spindle may strike against the work piece and damage the reciprocating mechanism.

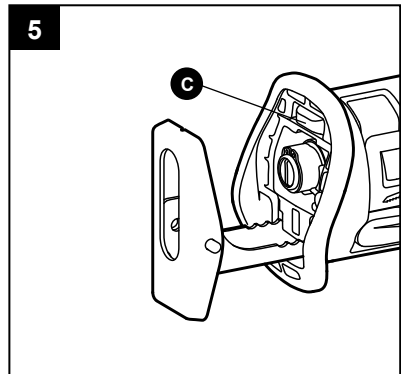


5. LED Work light

The LED work light (C), located on the front of the saw, will illuminate when the variable-speed trigger switch (G) is depressed. This provides additional light on the surface of the work piece for operation in lower-light areas.

The LED worklight will turn off when the variable-speed trigger switch is released.

- The LED work light will blink rapidly if the tool has stopped working in order to protect internal circuits; please wait for the tool to cool down, at which point it can be started again.
- The LED work light will blink slowly to indicate that the battery charge is very low.



OPERATING INSTRUCTIONS

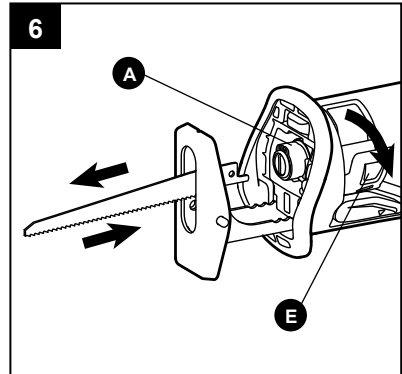
6. Blade Selection

To obtain the best performance from the saw, it is important to select the correct blade for the particular application and type of material to be cut.

Blades with fewer teeth, e.g., 10 teeth per inch (TPI) are typically used for cutting wood; blades with more teeth are better for cutting metal or plastic.

Installing a Saw Blade (Fig. 6)

- Remove the battery pack from the saw.
- Pivot the blade-release lever (E) to open the blade clamp (A).
- Insert the saw blade into the blade clamp as far as possible, then release the blade-release lever to lock the blade in position.
- Check that the blade is securely attached.



Removing the Saw Blade

- Remove the battery pack from the saw.
- Pivot the blade-release lever (E) to open the blade clamp (A).
- Remove the saw blade from the blade clamp.

⚠ WARNING

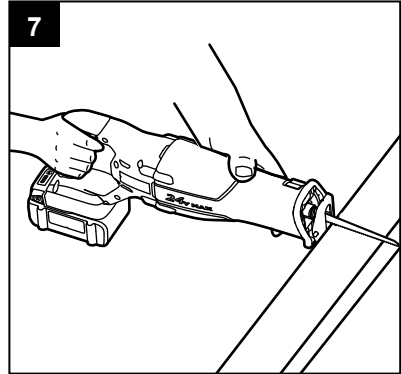
- The saw blade may be very hot after use. Allow the blade to cool down or wear gloves when removing a saw blade.

OPERATING INSTRUCTIONS

7. General Cutting

⚠ WARNING

- Before attaching the battery pack to the tool, always check to determine that the variable-speed trigger switch (G) performs properly and returns to the "OFF" position when released.
- Hold the tool only by the plastic handle and the insulated grip area to help prevent electrical shock. You may encounter electrical wiring when sawing into walls or floors. Sawing into a "live" wire will cause electric shock.



- a. Remove the battery pack from the saw.
- b. Make sure that the work piece is firmly clamped in place.
- c. Use the appropriate type and size of blade for the work piece material and size.
- d. Adjust the pivoting shoe (B) as necessary to make sure that the blade will extend beyond the pivoting shoe and the work piece at all times.
- e. Adjust the pivoting shoe as necessary to expose unworn blade teeth for longer blade life.
- f. Check for clearance behind the work piece so that the blade will not impact another surface.
- g. Mark the line of cut clearly. If cutting metal, apply cutting oil to the line.
- h. Attach the battery pack to the saw.
- i. Hold the saw firmly with both hands. Make sure to keep your hands on the insulated gripping areas only.
- j. Press the switch-lock button (F) to unlock the trigger switch and squeeze the variable-speed trigger switch (G) to start the saw and bring it to the maximum desired cutting speed before applying the blade to the work piece.
- k. Place the pivoting shoe firmly on the work piece while cutting. Use only enough steady pressure on the blade to keep the saw cutting; do not force the tool.
- l. Reduce pressure as the blade comes to the end of the cut.
- m. Allow the saw to come to a complete stop before removing the blade from the work piece.
- n. If sawing fiberglass, plaster, wallboard, or spackling compound, clean the motor vents frequently with a vacuum or compressed air. These materials are highly abrasive and may accelerate the wear on motor bearings and brushes.

⚠ WARNING

- Do not allow familiarity with the saw to make you careless. One careless fraction of a second is enough to inflict serious injury.

NOTICE: Cutting speeds should vary with the work piece. Hard materials, such as metals, require lower speeds; for softer materials use higher speeds.

OPERATING INSTRUCTIONS

8. Metal Cutting

The saw can be used to cut metals, such as sheet steel, pipe, steel rods, aluminum, brass, and copper. Be careful not to twist or bend the saw blade. Do not force the tool.

The use of cutting oil is recommended when cutting soft metals and steel. Cutting oil will keep the blade cool, increase cutting action, and prolong blade life.

⚠ WARNING

- Never use gasoline as a cutting lubricant, because normal sparking could ignite the fumes.
- a. Securely clamp the workpiece in position and make the cut close to the clamping point to minimize vibration.
- b. When cutting conduit pipe or angle iron, clamp the work in a vise, if possible, and cut close to the vise.
- c. To cut thin sheet material, “sandwich” the material between pieces of hardboard or plywood and clamp the layers together to reduce vibration and tearing of the material.

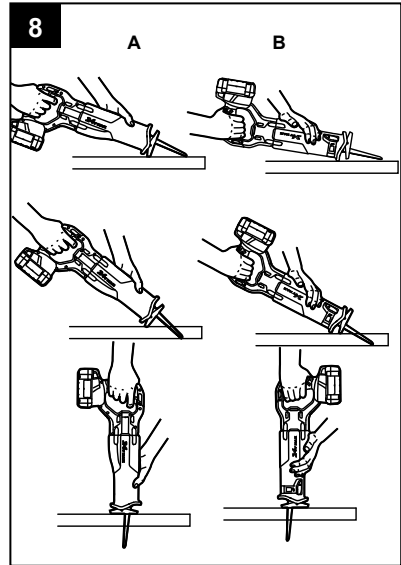
9. Plunge Cutting (Fig. 8)

Your reciprocating saw is ideal for plunge cutting directly into surfaces that cannot be cut from an edge, such as walls or floors. Plunge cutting may be performed two ways, depending on how the blade is inserted.

Column A shows how to plunge cut with the teeth of the blade facing down. Column B shows how to plunge cut with the teeth of the blade facing up.

⚠ WARNING

- Do not plunge cut into metal surfaces.
- a. Remove the battery pack from the saw.
- b. Make sure that the work piece is firmly clamped in place.
- c. Use the appropriate type and size of blade for the work piece material and size.
- d. Insert the blade into the tool.
- e. Adjust the pivoting shoe (B) as necessary to make sure that the blade will extend beyond the pivoting shoe and the work piece at all times.
- f. Adjust the pivoting shoe as necessary to expose unworn blade teeth for longer blade life.
- g. Check for clearance behind the work piece so that the blade will not impact another surface.
- h. Attach the battery pack to the saw.
- i. If the blade is inserted with the teeth facing downward, hold the tool as shown in Column A, resting the edge of the pivoting shoe on the work piece.
- j. With the blade just above the work piece, press the switch-lock button (F) to unlock the trigger switch and squeeze the variable-speed trigger switch (G) to start the saw and bring it to the maximum desired cutting speed. Then, using the edge of the shoe as a pivot, lower the blade into the work piece.



OPERATING INSTRUCTIONS


- k. As the blade starts cutting, raise the handle of the tool slowly, until the shoe rests firmly on the workpiece.
- l. After the blade has penetrated through the work piece, continue sawing along the marked cutting line.

NOTICE: To make plunge cutting easier, use a heavy gauge blade and install the blade with the teeth facing upward as show in Column B.

WARNING

- To reduce the risk of explosion, electric shock and property damage, always check the work area for hidden gas pipes, electrical wires or water pipes when making blind or plunge cuts.
- To avoid loss of control and serious injury, make sure that the blade reaches maximum speed before touching it to the work piece.
- Do not make plunge cuts in metal materials.

CARE AND MAINTENANCE

 All maintenance should only be carried out by a qualified technician.

Cleaning

Before cleaning or performing any maintenance, remove the battery pack from the reciprocating saw. For safe and proper operation, always keep the tool and its ventilation slots clean.

Always use only a soft, dry cloth to clean your reciprocating saw; never use detergent or alcohol.

TROUBLESHOOTING

WARNING

- Turn the switch to the “OFF” position, press the switch lock button to lock it and remove the battery pack from the reciprocating saw before performing troubleshooting procedures.

PROBLEM	POSSIBLE CAUSE	CORRECTIVE ACTION
The reciprocating saw does not work.	Battery is depleted.	Charge the battery.
Blade binds, jams, or burns the wood.	1. Improper operation .	1. See “OPERATING INSTRUCTIONS” section.
	2. Dull blade.	2. Replace or sharpen blade.
	3. Improper blade.	3. Replace blade.
Blade cannot be removed.	Saw dust in the blade clamp slot.	Clean the clamp slot with brush.
Saw vibrates or shakes.	1. Damaged blade.	1. Replace blade.
	2. Loose blade.	2. Remove the blade and reinstall it.
The LED worklight blinks rapidly.	The tool has stopped working to protect internal circuits.	Release the trigger switch, wait for the tool to cool down, then start the tool again.
The LED worklight blinks slowly.	The battery charge is very low.	Charge the battery.

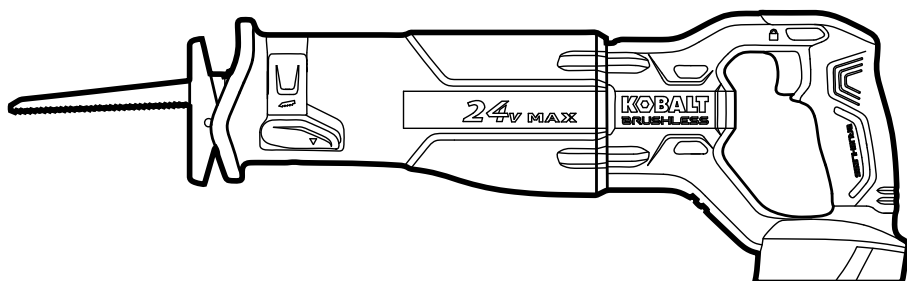
WARRANTY

For 5 years from the date of purchase, the reciprocating saw is warranted for the original purchaser to be free from defects in material and workmanship. This guarantee does not cover damage due to abuse, normal wear, improper maintenance, neglect, unauthorized repair/alteration, or expendable parts and accessories expected to become unusable after a reasonable period of use.

If you think your product meets the above guarantee criteria, please return it to the place of purchase with valid proof of purchase and the defective product will be repaired or replaced at no charge. This guarantee gives you specific legal rights, and you may also have other rights that vary from state to state.

Printed in China

KOBALT™



ARTÍCULO #0672831/0672826/0877730

SIERRA ALTERNATIVA SIN CEPILLO

MODELO #KRS 1824B-03

ADJUNTE SU RECIBO AQUÍ

Número de serie _____ Fecha de compra _____



¿Preguntas, problemas, piezas faltantes? Antes de volver a la tienda, llame a nuestro departamento de servicio al cliente al 1-888-3KOBALT (1-888-356-2258), de lunes a viernes de 8 a. m. a 8 p. m., hora estándar del Este.

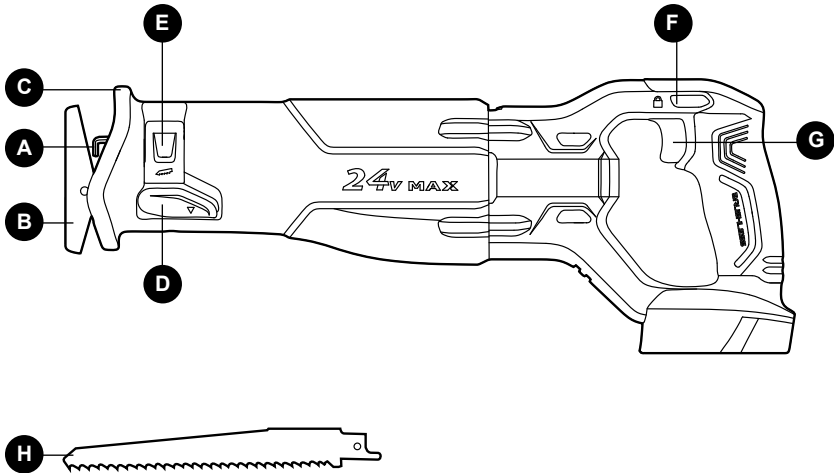
ÍNDICE

Especificaciones del producto.....	18
Contenido del paquete.....	19
Información de seguridad.....	20
Preparación.....	24
Instrucciones de funcionamiento.....	25
Cuidado y mantenimiento.....	30
Solución de problemas.....	31
Garantía.....	31

ESPECIFICACIONES DEL PRODUCTO

COMPONENTE	ESPECIFICACIONES
Rango de voltaje	24 V CC
Velocidad sin carga	3,100 SPM
Recorrido de hoja	2,85 cm

CONTENIDO DEL PAQUETE



PIEZA	DESCRIPCIÓN
A	Abrazadera de la cuchilla
B	Zapata giratoria
C	Luz de trabajo LED
D	Palanca de liberación de la zapata

PIEZA	DESCRIPCIÓN
E	Palanca de liberación de la hoja
F	Botón de bloqueo del interruptor
G	Interruptor de gatillo de velocidad variable
H	Hoja de dos metales

ADVERTENCIA

- Retire la herramienta del paquete y examínela con cuidado. No deseche la caja ni ningún material de embalaje hasta después de examinar todas las piezas.
- Si falta alguna pieza o si alguna pieza está dañada, no fije el paquete de baterías ni use la herramienta hasta reparar o reemplazar la pieza. El incumplimiento de esta advertencia podría provocar graves lesiones.

INFORMACIÓN DE SEGURIDAD

Lea y comprenda completamente este manual antes de intentar ensamblar u operar este producto. Si tiene preguntas relacionadas con el producto, llame al Departamento de Servicio al Cliente al 1-888-3KOBALT, de lunes a viernes de 8 a.m. a 8 p.m., hora estándar del Este.

ADVERTENCIA

- Durante el funcionamiento de cualquier herramienta eléctrica, pueden entrar objetos extraños a los ojos y causar graves daños oculares. Use siempre gafas de seguridad con protecciones laterales y, cuando sea necesario, use una máscara que cubra todo el rostro antes de comenzar a operar una herramienta eléctrica. Recomendamos usar una máscara de seguridad de visión amplia sobre los lentes o las gafas de seguridad estándar con protección. Siempre use lentes de protección que cumplan con la norma ANSI Z87.1.
- Parte del polvo causado por el lijado eléctrico, el serruchado, la trituración, el taladro y otras actividades de construcción contiene sustancias químicas que, según el estado de California, causan cáncer, defectos congénitos u otros daños reproductivos. Algunos ejemplos de estos químicos son los siguientes:
 - Plomo de pinturas a base de plomo
 - Sílice cristalina de ladrillos, cemento y otros productos de mampostería
 - Arsénico y cromo de madera tratada con químicos
- El riesgo que corre debido a la exposición a estos químicos varía según la frecuencia con que realiza este tipo de trabajo. Para disminuir su exposición a estas sustancias químicas:
 - Trabaje en un área bien ventilada.
 - Trabaje con equipo de seguridad aprobado, como las mascarillas antipolvo especialmente diseñadas para filtrar partículas microscópicas.
 - Evite estar en contacto prolongado con el polvo provocado por las lijas, sierras, trituradoras y taladros eléctricos y otras actividades de construcción. Use ropa protectora y lave todas las áreas expuestas del cuerpo con agua y jabón. Si permite que el polvo llegue a su boca o a sus ojos, o que repose sobre la piel, puede fomentar la absorción de químicos dañinos.

Conozca la herramienta

Para operar esta herramienta, lea detenidamente este manual y todas las etiquetas fijadas en la herramienta antes de usarla. Conserve este manual para tenerlo como referencia futura.



Importante

Solo un técnico calificado puede reparar esta herramienta.

Lea por completo todas las instrucciones

INFORMACIÓN DE SEGURIDAD

Algunos de los siguientes símbolos pueden aparecer en esta herramienta. Obsérvelos y aprenda su significado. La interpretación correcta de estos símbolos le permitirá utilizar la herramienta de manera eficaz y segura.

SÍMBOLO	DEFINICIÓN	SÍMBOLO	DEFINICIÓN
V	Voltios	n_0	Velocidad sin carga
A	Amperios	/min	Revoluciones o pasadas por minuto
Hz	Hertz		Corriente continua
W	vatios		Corriente alterna

Advertencias de seguridad general para herramientas eléctricas

ADVERTENCIA

- **Lea todas las advertencias de seguridad y todas las instrucciones.** El incumplimiento de las advertencias y las instrucciones podría provocar descargas eléctricas, incendios o lesiones graves.

Guarde todas las advertencias e instrucciones para referencia futura

El término "herramienta eléctrica" que aparece en las advertencias se refiere a la herramienta eléctrica que se conecta a la línea principal (con cable) o a la herramienta eléctrica que funciona con batería (inalámbrica).

Seguridad en el área de trabajo

- **Mantenga el área de trabajo limpia y bien iluminada.** Las áreas desordenadas u oscuras aumentan las posibilidades de accidentes.
- **No utilice herramientas eléctricas en atmósferas en las que exista riesgo de explosión, como por ejemplo en presencia de líquidos inflamables, gases o polvo.** Las herramientas eléctricas producen chispas que podrían encender el polvo o humo.
- **Mantenga a los niños y las personas cercanas alejadas durante la operación de una herramienta eléctrica.** Las distracciones pueden hacerle perder el control.

Seguridad eléctrica

- **Los enchufes de las herramientas eléctricas deben encajar en el tomacorriente. Nunca modifique el enchufe de ninguna manera. No utilice ningún enchufe adaptador con herramientas eléctricas con puesta a tierra.** Los enchufes sin modificaciones y que encajan en los tomacorrientes reducen el riesgo de descarga eléctrica.
- **Evite el contacto del cuerpo con superficies conectadas a tierra, como tuberías, radiadores, extractores o refrigeradores.** Existe un gran riesgo de descarga eléctrica si su cuerpo tiene conexión a tierra.
- **No exponga las herramientas eléctricas a la lluvia o a condiciones de humedad.** El ingreso de agua en una herramienta eléctrica aumentará el riesgo de descarga eléctrica.

INFORMACIÓN DE SEGURIDAD

- **No maltrate el cable. Nunca use el cable para transportar, jalar o desenchufar la herramienta eléctrica. Mantenga el cable alejado del calor, el aceite, los bordes filosos o las piezas en movimiento.** Los cables dañados o enredados aumentan el riesgo de descarga eléctrica.
- **Cuando opere una herramienta eléctrica en exteriores, use una extensión eléctrica para uso en exteriores.** El uso de un cable apto para uso en exteriores reduce el riesgo de descarga eléctrica.
- **Si debe utilizar una herramienta eléctrica en un área húmeda, use un suministro protegido con un interruptor de circuito de falla de puesta a tierra (GFCI, por sus siglas en inglés).** El uso de un GFCI disminuye el riesgo de descarga eléctrica.

Seguridad personal

- **Manténgase alerta, preste atención a lo que hace y utilice el sentido común cuando use una herramienta eléctrica. No utilice una herramienta eléctrica si está cansado o bajo los efectos de drogas, alcohol o medicamentos.** Un momento de desatención mientras opera herramientas eléctricas puede provocar lesiones personales graves.
- **Use un equipo de protección personal. Use siempre lentes de protección.** Los equipos de protección, como mascarillas antipolvo, zapatos de seguridad antideslizantes, casco protector o protección auditiva, utilizados para las condiciones adecuadas, disminuyen las lesiones personales.
- **Evite un arranque accidental. Asegúrese de que el interruptor esté en la posición de apagado antes de conectar la fuente o la batería, levantar o transportar la herramienta.** Transportar herramientas eléctricas con el dedo en el interruptor o enchufar herramientas eléctricas que tienen el interruptor encendido aumenta las posibilidades de accidentes.
- **Retire todas las llaves de ajuste o llaves inglesas antes de encender la herramienta eléctrica.** Si se deja una llave inglesa o una llave conectada a una pieza giratoria de la herramienta eléctrica, se pueden producir lesiones personales.
- **No se incline demasiado. Mantenga una posición y un equilibrio adecuados en todo momento.** Esto permite un mejor control de la herramienta eléctrica en situaciones inesperadas.
- **Use ropa adecuada. No use ropa holgada ni joyas. Mantenga el cabello, la ropa y los guantes lejos de las piezas en movimiento.** La ropa holgada, las joyas o el cabello largo pueden quedar atrapados en las piezas giratorias.
- **Si se proporcionan dispositivos para la conexión de equipos de extracción y recolección de polvo, asegúrese de que se conecten y se usen debidamente.** El uso de estos dispositivos puede disminuir los peligros relacionados con el polvo.

Uso y cuidado de las herramientas eléctricas

- **No fuerce la herramienta eléctrica. Utilice la herramienta eléctrica adecuada para su aplicación.** La herramienta eléctrica adecuada realizará un trabajo más seguro y de mejor calidad al ritmo para el que fue diseñada.
- **No utilice la herramienta eléctrica si el interruptor no la enciende o apaga.** Cualquier herramienta eléctrica que no pueda controlarse con el interruptor es peligrosa y debe repararse.
- **Desconecte el enchufe de la fuente de alimentación o la batería de la herramienta eléctrica antes de realizar cualquier ajuste, cambiar accesorios o almacenar herramientas eléctricas.** Este tipo de medidas de seguridad preventivas reduce el riesgo de arranques accidentales de la herramienta eléctrica.

INFORMACIÓN DE SEGURIDAD

- **Almacene las herramientas eléctricas que no estén en uso fuera del alcance de los niños y no permita que las personas no familiarizadas con la herramienta o estas instrucciones la operen.** Las herramientas eléctricas son peligrosas en manos de usuarios sin capacitación.
- **Realice mantenimiento a las herramientas eléctricas. Revise si hay desalineación o agarramiento de piezas móviles o si están rotas, así como cualquier otra condición que pueda afectar la operación de la herramienta eléctrica. Si se daña, haga reparar la herramienta eléctrica antes de usarla.** Muchos accidentes son producto del mantenimiento incorrecto de las herramientas eléctricas.
- **Mantenga las herramientas de corte afiladas y limpias.** Las herramientas de corte que se mantienen adecuadamente, con sus bordes de corte afilados, tienen un riesgo menor de trabarse y son más fáciles de controlar.
- **Use la herramienta eléctrica, los accesorios, las brocas, etc., de acuerdo con estas instrucciones, considerando las condiciones de trabajo y el trabajo que desea realizar.** El uso de la herramienta eléctrica en operaciones distintas para las que fue diseñada podría crear una situación de peligro.

Uso y cuidado de herramientas con batería

- **Recargue únicamente con el cargador especificado por el fabricante.** Un cargador adecuado para un tipo de paquete de baterías puede crear un riesgo de incendio cuando se usa con otro paquete de baterías.
- **Use herramientas eléctricas solo con paquetes de baterías designados específicamente.** El uso de cualquier otro paquete de baterías puede crear un riesgo de lesión e incendio.
- **Cuando el paquete de baterías no está en uso, aléjelo de objetos metálicos, como sujetapapeles, monedas, llaves, clavos, tornillos u otros objetos metálicos pequeños que pudieran crear una conexión entre los terminales.** Es posible que una conexión entre los terminales produzca quemaduras o un incendio.
- **En condiciones de maltrato, es posible que salga líquido de la batería; evite el contacto. Si se produce un contacto accidental, enjuague con agua. Si el líquido entra en contacto con los ojos, además de esto, solicite atención médica.** El líquido que sale de la batería puede provocar irritación o quemaduras.

Reparación

- **Haga reparar su herramienta eléctrica solo por una persona de reparación calificada, utilizando solo piezas de repuesto idénticas.** Esto mantendrá la seguridad de la herramienta eléctrica.

Advertencias específicas de seguridad para la sierra alternativa

- **Sostenga la herramienta eléctrica por las áreas de agarre aisladas al realizar una operación en la que el accesorio de corte pueda entrar en contacto con cableado oculto o con su propio cable.** Es posible que un accesorio de corte que entre en contacto con un cable "energizado" también "energice" las piezas de metal expuestas de la herramienta eléctrica y podría provocar una descarga eléctrica al operador.
- **Utilice abrazaderas u otro método práctico para asegurar y sostener la pieza de trabajo en una plataforma estable.** Sostener la pieza de trabajo con una sola mano o apoyada en el cuerpo es inestable y puede causar pérdida de control.
- Siempre espere hasta que la herramienta se detenga por completo antes de colocarla hacia abajo. El accesorio de la herramienta se puede atascar y provocar la pérdida de control sobre la herramienta eléctrica.

INFORMACIÓN DE SEGURIDAD

- Cuando trabaje con la herramienta eléctrica, siempre sosténgala firmemente con ambas manos y adopte una posición segura. Es más seguro guiar la herramienta eléctrica con ambas manos.
- Siempre retire el paquete de baterías antes de cambiar la hoja de la sierra o ajustar la base de la sierra.
- La hoja de la sierra debe estar firmemente fijada en su soporte. Verifique que haya encajado de forma segura antes de usarla.
- Asegúrese de que todas las palancas de ajuste y el soporte de la hoja estén firmes antes de realizar un corte. Si las palancas de ajuste y los soportes están sueltos, esto puede causar que la herramienta o la hoja se deslicen, provocando una pérdida de control.
- Nunca toque la hoja de la sierra inmediatamente después de usarla. Puede estar caliente luego de un uso prolongado.
- Use siempre gafas de seguridad o lentes de protección cuando utilice esta herramienta. Use una mascarilla antipolvo o un respirador, o conecte la herramienta a una aspiradora de polvo externa si al cortar se genera una gran cantidad de polvo.
- Mantenga sus manos alejadas del área de corte. No toque debajo del material que se está cortando. La proximidad de la hoja con su mano estará oculta a la vista.
- No use hojas de sierra ni accesorios desafilados o dañados.

PREPARACIÓN

Conozca su sierra alternativa

Antes de intentar utilizar la sierra alternativa, familiarícese con todas las funciones de operación y los requisitos de seguridad.

ADVERTENCIA

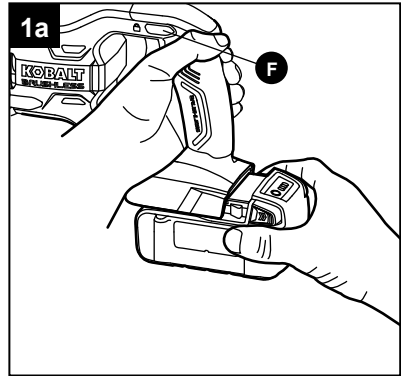
- No permita que la familiaridad con la sierra alternativa lo vuelva descuidado. Recuerde que un momento de descuido es suficiente para causar lesiones graves. Antes de intentar utilizar cualquier herramienta, asegúrese de familiarizarse con todas las funciones de operación e instrucciones de seguridad.
- No intente modificar esta herramienta ni crear accesorios que no sean los recomendados para esta. Cualquier alteración o modificación es considerada un mal uso y podría causar una condición peligrosa que podría conllevar lesiones personales graves.

INSTRUCCIONES DE FUNCIONAMIENTO

1. Paquete de baterías

Para fijar el paquete de baterías

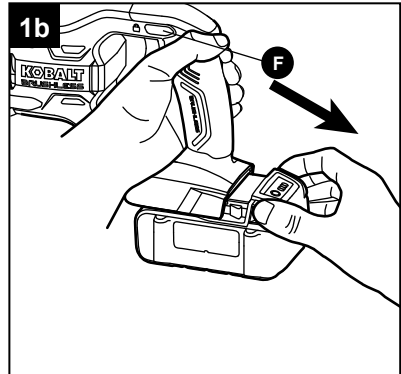
- Presione el botón de bloqueo del interruptor (F) en la posición de bloqueo.
- Alinee la parte elevada del paquete de baterías con las ranuras de la parte inferior de la herramienta y deslice el paquete de baterías en la sierra, como se muestra.
- Asegúrese de que los pestillos del paquete de baterías encajen en su lugar y que el paquete de baterías esté fijo en la herramienta antes de comenzar la operación.



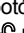
AVISO: Al colocar el paquete de baterías en la herramienta, asegúrese de que la varilla elevada del paquete de baterías se alinee con la ranura de la herramienta y que los pestillos encajen en su lugar adecuadamente. El ensamblaje inadecuado del paquete de baterías puede provocar daños a los componentes internos.

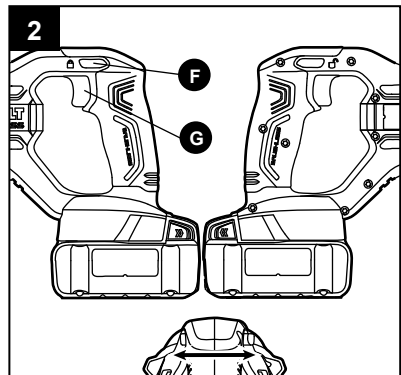
Para liberar el paquete de baterías

- Coloque el botón de bloqueo del interruptor (F) en la posición de bloqueo.
- Presione los botones de liberación de la batería para liberar el paquete de baterías.
- Jale el paquete de baterías hacia delante para retirar la batería de la herramienta.




2. Interruptor de gatillo de velocidad variable y botón de bloqueo del interruptor

- Para encender la sierra, presione el botón de bloqueo del interruptor (F) marcado  para desbloquear el interruptor, luego apriete el interruptor de gatillo de velocidad variable (G).
- Para apagarlo, suelte el interruptor de gatillo de velocidad variable.



ADVERTENCIA

- Las herramientas con batería siempre están en condiciones de operación. Por lo tanto, presione siempre el botón de bloqueo del interruptor marcado  para desbloquear el interruptor cuando la sierra no se encuentre en uso o al transportar la sierra a su costado.

INSTRUCCIONES DE FUNCIONAMIENTO

Velocidad variable

El interruptor de gatillo de velocidad variable (G) proporciona mayor velocidad con mayor presión en el gatillo y menor velocidad con menor presión en el gatillo.

3. Ajuste de la zapata giratoria

Para un máximo control y una mayor vida útil de la hoja, el ensamble de la zapata giratoria (B) se desliza hacia adentro o hacia afuera para ajustar el largo de recorrido real.

- Retire el paquete de baterías de la sierra.
- Gire la palanca de liberación de la zapata (D) a la posición vertical para liberar la zapata giratoria.
- Jale la zapata a la posición deseada.
- Gire la palanca de liberación de la zapata a su posición original para apretar la zapata.

4. Giro de la zapata

La zapata giratoria (B) gira para proporcionar el máximo contacto con la superficie que se desea cortar.

- Retire el paquete de baterías de la sierra.
- Sostenga la sierra firmemente y luego gire la zapata al ángulo deseado.

⚠ ADVERTENCIA

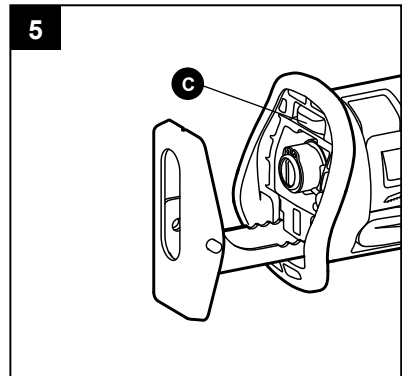
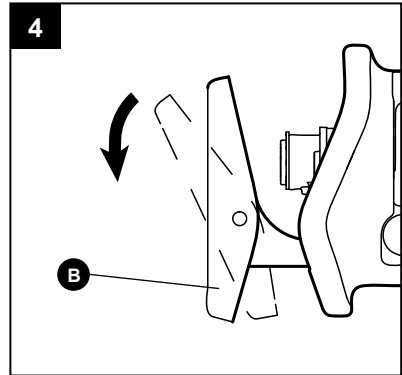
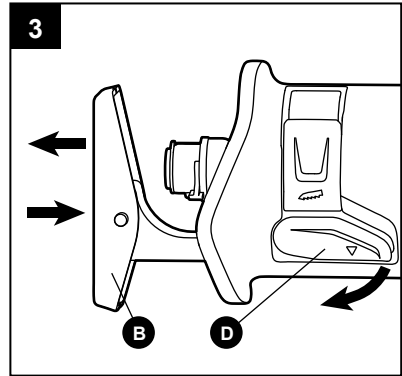
- Para evitar lesiones y daños, no utilice la sierra sin la zapata giratoria en su lugar. El barrote puede golpearse contra la pieza de trabajo y dañar el mecanismo de vaivén.

5. Luz de trabajo LED

La luz de trabajo LED (C), ubicada en la parte delantera de la sierra, se iluminará cuando presione el interruptor de gatillo de velocidad variable (G). Esto brinda más iluminación en la superficie de la pieza de trabajo para usar la herramienta en áreas con poca iluminación.

La luz de trabajo LED se apagará cuando suelte el interruptor de gatillo de velocidad variable.

- La luz de trabajo con bombilla LED titilará con rapidez si la herramienta deja de funcionar para proteger los circuitos internos; espere a que la herramienta se enfríe para que pueda volver a funcionar.
- La luz de trabajo con bombilla LED titilará más lento para indicar que el nivel de batería está muy bajo.



INSTRUCCIONES DE FUNCIONAMIENTO

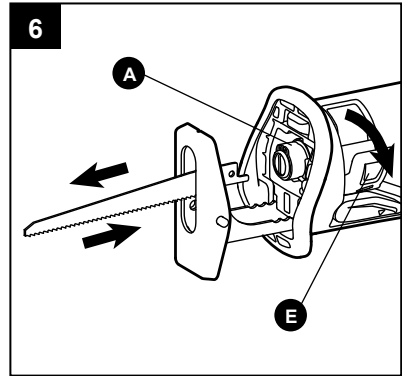
6. Selección de la hoja

Para obtener el mejor rendimiento de la sierra, es importante seleccionar la hoja correcta para la aplicación específica y el tipo de material que desea cortar.

Las hojas con menos dientes, por ejemplo, 10 dientes por pulgada (TPI, por sus siglas en inglés) normalmente se usan para cortar madera; las hojas con más dientes son mejores para cortar metal o plástico.

Instalación de una hoja de sierra (Fig. 6)

- Retire el paquete de baterías de la sierra.
- Gire la palanca de liberación de la hoja (E) para abrir la abrazadera de la hoja (A).
- Inserte la hoja de sierra en la abrazadera de la hoja hasta donde se pueda y libere la palanca de liberación de la hoja para fijar la hoja en su lugar.
- Asegúrese de que la hoja quede firmemente fijada.



Retiro de la hoja de la sierra

- Retire el paquete de baterías de la sierra.
- Gire la palanca de liberación de la hoja (E) para abrir la abrazadera de la hoja (A).
- Retire la hoja de sierra de la abrazadera de la hoja.

⚠️ ADVERTENCIA

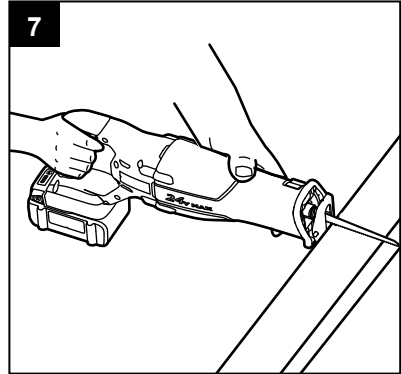
- La hoja de sierra puede estar muy caliente después de usarla. Permita que la hoja se enfríe o use guantes al retirar la hoja de sierra.

INSTRUCCIONES DE FUNCIONAMIENTO

7. Cortes en general

⚠ ADVERTENCIA

- Antes de instalar el paquete de baterías en la herramienta, siempre revise si el interruptor de gatillo de velocidad variable (G) funciona bien y si se devuelve a la posición OFF (apagado) al soltarlo.
- Sostenga la herramienta solo de la manija de plástico y del área de agarre aislada para evitar descargas eléctricas. Al cortar paredes o pisos, es posible que se encuentre con cableado eléctrico. Cortar cables "energizados" provocará descargas eléctricas.



- a. Retire el paquete de baterías de la sierra.
- b. Asegúrese de que la pieza de trabajo esté firmemente sujeta en su lugar.
- c. Use el tipo y el tamaño adecuado de hoja para el material y el tamaño de la pieza de trabajo.
- d. Regule la zapata giratoria (B) según sea necesario para garantizar que la hoja se extienda más allá de la zapata giratoria y la pieza de trabajo en todo momento.
- e. Regule la zapata giratoria de forma tal que queden expuestos los dientes no gastados de la hoja a fin de prolongar la vida útil de la herramienta.
- f. Verifique el espacio detrás de la pieza de trabajo de modo que la hoja no impacte otra superficie.
- g. Marque claramente la línea de corte. Si corta metal, aplique aceite de corte en la línea.
- h. Fije el paquete de baterías a la batería.
- i. Sostenga firmemente la sierra con ambas manos. Asegúrese de mantener las manos solo en las áreas de agarre aisladas.
- j. Presione el botón de bloqueo del interruptor (F) para desbloquear el interruptor de gatillo y apriete el interruptor de gatillo de velocidad variable (G) para arrancar la sierra y llevarla a la máxima velocidad de corte deseada antes de aplicar la hoja a la pieza de trabajo.
- k. Coloque la zapata firmemente en la pieza de trabajo mientras corta. Utilice solo la suficiente presión constante en la hoja para mantener la sierra cortando; no fuerce la herramienta.
- l. Disminuya la presión a medida que la hoja se acerca al final del corte.
- m. Deje que la sierra se detenga por completo antes de retirar la hoja de la pieza de trabajo.
- n. Si corta fibra de vidrio, yeso, panel de fibra prensada o compuesto de relleno, limpie las ventilas del motor frecuentemente con una aspiradora o con aire comprimido. Estos materiales son altamente abrasivos y pueden acelerar el desgaste de los cojinetes y los cepillos del motor.

⚠ ADVERTENCIA

- No permita que la familiaridad con la sierra lo vuelva descuidado. Un descuido de una fracción de segundo es suficiente para causar una lesión grave.

AVISO: Las velocidades de corte deberían variar de acuerdo con la pieza de trabajo. Los materiales duros, como metales, requieren velocidades más bajas; para materiales más suaves use mayores velocidades.

INSTRUCCIONES DE FUNCIONAMIENTO

8. Corte de metal

La sierra se puede utilizar para cortar metales, como acero laminado, tuberías, varillas de acero, aluminio, latón y cobre. Tenga cuidado de no torcer ni doblar la hoja de la sierra. No fuerce la herramienta.

Se recomienda utilizar aceite de corte al cortar metales suaves y acero. El aceite de corte mantendrá la hoja fría, aumentará la acción de corte y prolongará la vida útil de la hoja.

⚠ ADVERTENCIA

- Nunca utilice gasolina como lubricante para cortes, ya que las chispas normales podrían encender los gases.
 - a. Asegure la posición de la abrazadera en la pieza de trabajo y realice el corte cerca del punto de sujeción para minimizar la vibración.
 - b. Al cortar tuberías de conductos o perfiles en ángulo, fije la pieza de trabajo en una prensa de tornillo, si es posible, y corte cerca de la prensa de tornillo.
 - c. Para cortar materiales en láminas delgadas, "aprisione" el material entre trozos de madera prensada o madera contrachapada y fije las capas juntas para disminuir la vibración y las rasgaduras del material.

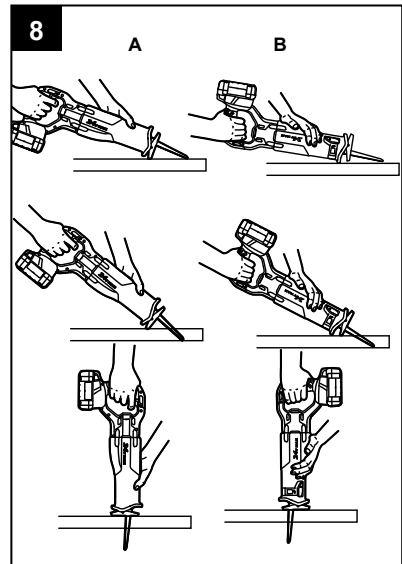
9. Cortes con perforación (Fig. 8)

La sierra alternativa es ideal para cortes con perforación en superficies que no se pueden cortar desde un borde, como las paredes o los pisos. El corte con perforación se puede realizar de dos formas, dependiendo de cómo se inserte la hoja.

La columna A muestra cómo realizar un corte con perforación con los dientes de la hoja mirando hacia abajo. La columna B muestra cómo realizar un corte con perforación con los dientes de la hoja mirando hacia arriba.

⚠ ADVERTENCIA

- No realice cortes con perforación en superficies de metal.
 - a. Retire el paquete de baterías de la sierra.
 - b. Asegúrese de que la pieza de trabajo esté firmemente sujeta en su lugar.
 - c. Use el tipo y el tamaño adecuado de hoja para el material y el tamaño de la pieza de trabajo.
 - d. Inserte la hoja en la herramienta.
 - e. Regule la zapata giratoria (B) según sea necesario para garantizar que la hoja se extienda más allá de la zapata giratoria y la pieza de trabajo en todo momento.
 - f. Regule la zapata giratoria de forma tal que queden expuestos los dientes no gastados de la hoja a fin de prolongar la vida útil de la herramienta.
 - g. Verifique el espacio detrás de la pieza de trabajo de modo que la hoja no impacte otra superficie.
 - h. Fije el paquete de baterías a la batería.



INSTRUCCIONES DE FUNCIONAMIENTO


- i. Si la hoja se insertó con los dientes hacia abajo, sostenga la sierra como se muestra en la columna A, apoyando el borde de la zapata giratoria en la pieza de trabajo.
- j. Con la hoja justo por encima de la pieza de trabajo, presione el botón de bloqueo del interruptor (F) para desbloquear el interruptor de gatillo y apriete el interruptor de gatillo de velocidad variable (G) para arrancar la sierra y llevarla a la máxima velocidad de corte deseada. Luego, con el borde de la zapata como pivote, baje la hoja hasta la pieza de trabajo.
- k. A medida que la hoja comience a cortar, levante suavemente la manija de la herramienta, hasta que la zapata se apoye firmemente en la pieza de trabajo.
- l. Después de que la hoja haya penetrado en la pieza de trabajo, continúe cortando a lo largo de la línea de corte marcada.

AVISO: Para realizar cortes con perforación más fácilmente, use una hoja de calibre pesado e instálela con los dientes hacia arriba como se muestra en la columna B.

ADVERTENCIA

- Para disminuir el riesgo de explosiones, descargas eléctricas y daños a la propiedad, siempre revise el área de trabajo en busca de tuberías de gas escondidas, cables eléctricos o tuberías de agua al realizar cortes ciegos o con perforación.
- Para evitar la pérdida de control y lesiones graves, asegúrese de que la hoja alcance la velocidad máxima antes de tocar la pieza de trabajo.
- No realice cortes con perforación en materiales de metal.

CUIDADO Y MANTENIMIENTO

 Todos los mantenimientos deben ser realizados solo por un técnico calificado.

Limpieza

Antes de limpiar o realizar cualquier mantenimiento, retire el paquete de baterías de la sierra alternativa. Para un uso seguro y adecuado, siempre mantenga limpias la herramienta y sus ranuras de ventilación.

Siempre use solamente un paño su

SOLUCIÓN DE PROBLEMAS



ADVERTENCIA

- Coloque el interruptor en la posición "OFF" (Apagado), presione el botón de bloqueo del interruptor para bloquearlo y retire el paquete de baterías de la sierra alternativa antes de realizar procedimientos de solución de problemas.

PROBLEMA	CAUSA POSIBLE	ACCIÓN CORRECTIVA
La sierra alternativa no funciona.	La batería está agotada.	Cargue la batería.
La hoja se atasca o quema la madera.	1. Funcionamiento inadecuado.	1. Consulte la sección "INSTRUCCIONES DE FUNCIONAMIENTO".
	2. Hoja roma.	2. Reemplace o afile la hoja.
	3. Hoja inadecuada.	3. Reemplace la hoja.
No se puede retirar la hoja.	Polvo de aserrar en la ranura de la abrazadera de la hoja.	Limpie la ranura de la abrazadera con un cepillo.
La sierra vibra o se agita.	1. Hoja dañada.	1. Reemplace la hoja.
	2. Hoja suelta.	2. Retire la hoja y vuelva a instalarla.
La luz de trabajo con bombilla LED titila con rapidez.	La herramienta ha dejado de funcionar para proteger los circuitos internos.	Suelte el interruptor de gatillo, espere a que la herramienta se enfríe y luego enciéndala de nuevo.
La luz de trabajo con bombilla LED titila con lentitud.	El nivel de batería está muy bajo.	Cargue la batería.

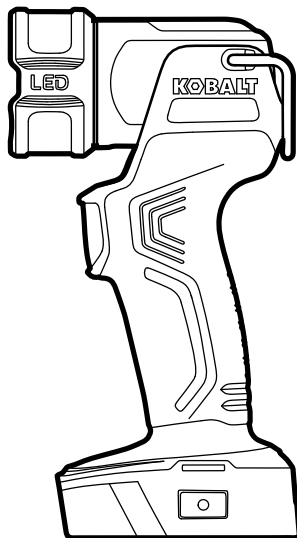
GARANTIE

La sierra alternativa está garantizada contra defectos de fabricación en materiales y mano de obra por 5 años desde la fecha de compra para el comprador original. Esta garantía no cubre daños por el abuso, desgaste normal, mantenimiento inadecuado, negligencia, reparación/ alteración no autorizada o piezas fungibles y accesorios que se esperan que sean inutilizables después de un período de uso razonable.

Si cree que este producto cumple con la garantía mencionada arriba, devuelva el producto al lugar donde lo compró con un comprobante de compra válido y el producto defectuoso se reparará o reemplazará sin cargo. Esta garantía le otorga derechos legales específicos, pero también podría tener otros derechos que varían según el estado.

Impreso en China

KOBALT™



ITEM #0672832/0672826/0864453/0877730

LED WORK LIGHT

MODEL #KWL 224-03

Español p. 9

ATTACH YOUR RECEIPT HERE

Serial Number _____ Purchase Date _____



Questions, problems, missing parts? Before returning to your retailer, call our customer service department at 1-888-3KOBALT (1-888-356-2258), 8 a.m. - 8 p.m., EST, Monday - Friday.

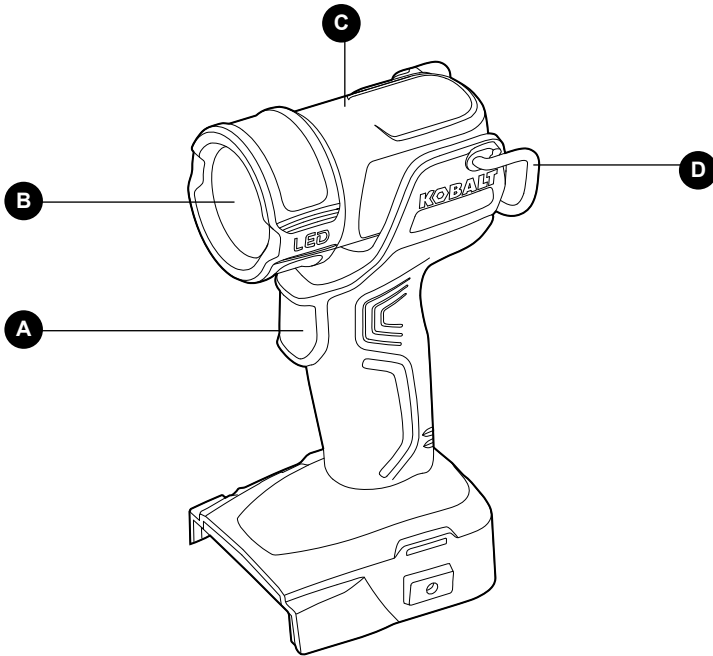
TABLE OF CONTENTS

Product Specifications.....	2
Package Contents.....	3
Safety Information.....	4
Preparation.....	5
Operating Instructions.....	6
Care and Maintenance.....	7
Troubleshooting.....	8
Warranty.....	8

PRODUCT SPECIFICATIONS

COMPONENT	SPECIFICATION
Rated voltage	24 V d.c.
Head pivot	135°
Illumination	200 Lumen

PACKAGE CONTENTS



PART	DESCRIPTION
A	ON/OFF switch
B	Transparent cover

PART	DESCRIPTION
C	Light head
D	Loop

! WARNING

- Remove the tool from the package and examine it carefully. Do not discard the carton or any packaging material until all parts have been examined.
- If any part of the tool is missing or damaged, do not attach the battery pack or use the tool until the part has been repaired or replaced. Failure to heed this warning could result in serious injury.

SAFETY INFORMATION

Please read and understand this entire manual before attempting to assemble or operate this product. If you have any questions regarding the product, please call customer service at 1-888-3KOBALT, 8 a.m. - 8 p.m., EST, Monday - Friday.

Know the Tool

To operate this tool, carefully read this manual and all labels affixed to the tool before using it. Keep this manual available for future reference.

Important

This tool should be serviced only by a qualified service technician.

Read All Instructions Thoroughly

Specific Safety Warnings for LED Work Light

WARNING

- **Read all safety warnings and all instructions.** Failure to follow the warnings and instructions may result in electric shock, fire and/or serious injury.

Save all warnings and instructions for future reference

- **Know your LED work light. Read the operator's manual carefully. Learn the applications and limitations, as well as the specific potential hazards related to this tool.** Following this rule will reduce the risk of electric shock, fire or serious injury.
- **Do not permit children to use the LED work light; it is not a toy.**
- **Do not stare into the LED work light. Avoid direct eye exposure.** The LED work light can cause flash blindness.
- **Do not expose power tools to rain or wet conditions.** Water entering a power tool will increase the risk of electric shock.
- **Disconnect the battery pack from the power tool before making any adjustments, changing accessories, or storing power tools.** Such preventive safety measures reduce the risk of starting the power tool accidentally.
- **Store idle power tools out of the reach of children and do not allow persons unfamiliar with the power tool or these instructions to operate the power tool.** Power tools are dangerous in the hands of untrained users.
- **Use only with specifically designated battery packs.** Use of any other battery packs may create a risk of injury and fire.
- **When a battery pack is not in use, keep it away from other metal objects like paper clips, coins, keys, nails, screws or other small metal objects that can make a connection from one terminal to another.** Shorting the battery terminals together may cause burns or a fire.
- **Under abusive conditions, liquid may be ejected from the battery; avoid contact. If contact accidentally occurs, flush with water. If liquid contacts eyes, additionally seek medical help.** Liquid ejected from the battery may cause irritation or burns.
- **Have your power tool serviced by a qualified repair person using only identical replacement parts.** This will ensure that the safety of the power tool is maintained.

SAFETY INFORMATION

CAUTION

- Hot Surface.
- Risk of Burns - Do Not Touch.
- Risk of Fire - Keep Away From Combustible Materials.

IMPORTANT SAFETY INSTRUCTIONS

WARNING

- When using electric appliances, basic precautions should always be followed, including the following:
- Read all the instructions before using the appliance.
- To reduce the risk of injury, close supervision is necessary when an appliance is used near children.
- Do not use outdoors.
- To reduce the risk of electrical shock, do not put the LED work light and battery pack in water or other liquid. Do not place or store appliance where it can fall or be pulled into a tub or sink.
- For use only with battery pack models KB 124-03, KB 224-03, KB 424-03 or KB 524-03.
- Use only the charger supplied by the manufacturer to recharge.

SAVE THESE INSTRUCTIONS

PREPARATION

Know Your LED Work Light

Before attempting to use the LED work light, familiarize yourself with all of its operating features and safety requirements.

WARNING

- Do not allow familiarity with the LED work light to cause carelessness. Remember that one careless moment is enough to cause severe injury. Before attempting to use any tool, be sure to become familiar with all of the operating features and safety instructions.
- Do not attempt to modify this tool or create accessories not recommended for use with this tool. Any such alteration or modification is misuse and could result in a hazardous condition leading to possible serious personal injury.

OPERATING INSTRUCTIONS

1. Battery Pack

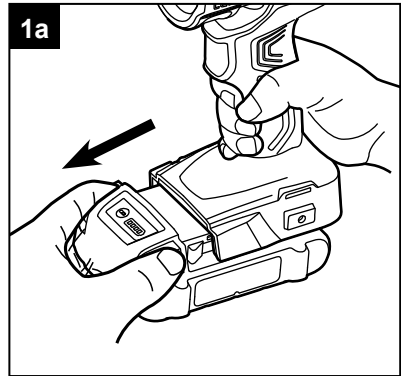
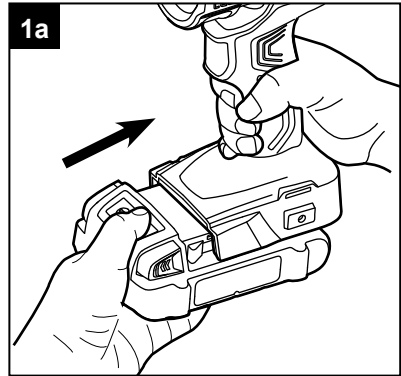
To Attach Battery Pack

- a. Align the raised portion on the battery pack with the grooves on the bottom of the tool, and then slide the battery pack onto the tool as shown.
- b. Make sure that the latch on the battery pack snaps into place and the battery pack is secured to the tool before beginning operation.

NOTICE: When placing the battery pack on the tool, be sure that the raised rib on battery pack aligns with the groove on the tool and the latches snap into place properly. Improper assembly of the battery pack can cause damage to internal components.

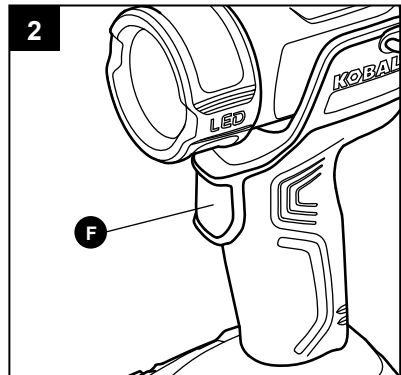
To Detach Battery Pack

- a. Press the battery-release button to release the battery pack.
- b. Pull forward on the battery pack to remove it from the tool.



2. ON/OFF Switch

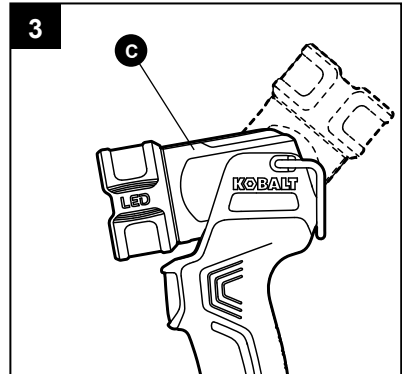
- a. To turn the LED work light ON, depress the ON/OFF switch (A).
- b. To turn it OFF, press the switch again.



OPERATING INSTRUCTIONS

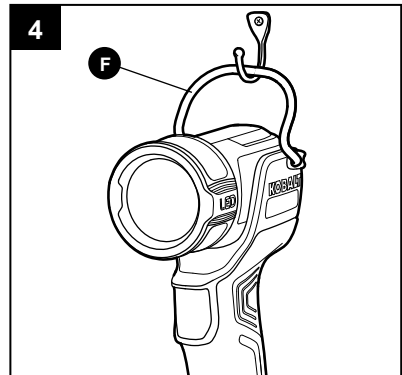
3. Adjusting the LED Work Light Head

The light head (C) pivots from fully upright to fully folded, and can remain at any point within the 135° range.




4. Loop

The LED work light is equipped with a loop (D). The light can be carried or hung to an object with the loop.



CARE AND MAINTENANCE

 All maintenance should only be carried out by a qualified service technician.

Cleaning

Before cleaning or performing any maintenance, remove the battery pack from the tool. For safe and proper operation, always keep the tool and its ventilation slots clean.

Always use only a soft, dry cloth to clean your LED work light; never use detergent or alcohol.

TROUBLESHOOTING

WARNING

- Turn the switch to the "OFF" position and remove the battery pack from the tool before performing troubleshooting procedures.

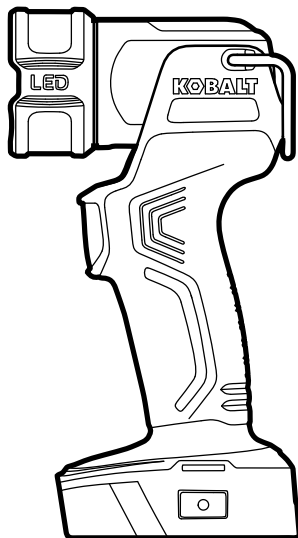
PROBLEM	POSSIBLE CAUSE	CORRECTIVE ACTION
The LED work light does not work	Battery is depleted	Charge the battery

WARRANTY

For 5 years from the date of purchase, the LED work light is warranted and for 3 years from date of purchase the battery & charger are warranted for the original purchaser to be free from defects in material and workmanship. This guarantee does not cover damage due to abuse, normal wear, improper maintenance, neglect, unauthorized repair/alteration, or expendable parts and accessories expected to become unusable after a reasonable period of use.

If you think your product meets the above guarantee criteria, please return it to the place of purchase with valid proof of purchase and the defective product will be repaired or replaced at no charge. This guarantee gives you specific legal rights, and you may also have other rights that vary from state to state.

KOBALT™



ARTÍCULO #0672832/0672826/0864453/0877730

LUZ DE TRABAJO LED

MODELO #KWL 224-03

ADJUNTE SU RECIBO AQUÍ

Número de serie _____ Fecha de compra _____



¿Preguntas, problemas, piezas faltantes? Antes de volver a la tienda, llame a nuestro departamento de servicio al cliente al 1-888-3KOBALT (1-888-356-2258), de lunes a viernes de 8 a. m. a 8 p. m., hora estándar del Este.

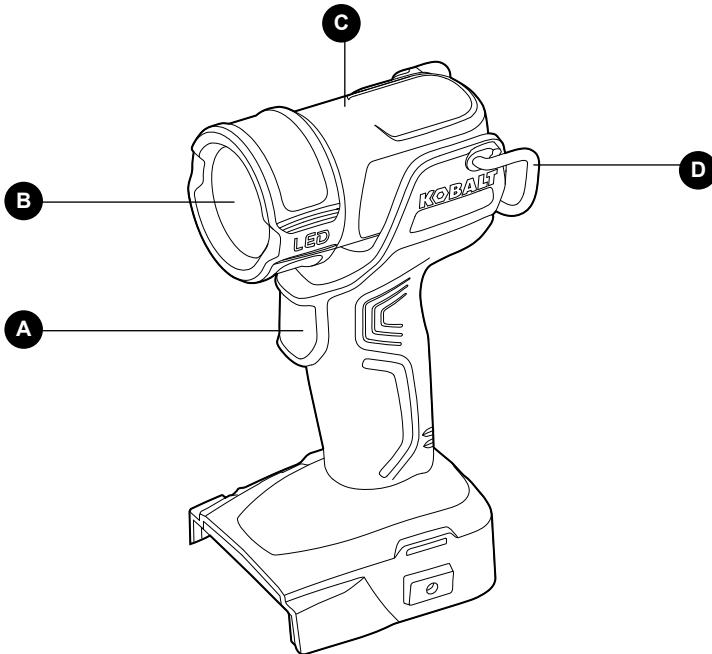
ÍNDICE

Especificaciones del producto.....	10
Contenido del paquete.....	11
Información de seguridad.....	12
Preparación.....	13
Instrucciones de funcionamiento.....	14
Cuidado y mantenimiento.....	15
Solución de problemas.....	16
Garantía.....	16

ESPECIFICACIONES DEL PRODUCTO

COMPONENTE	ESPECIFICACIONES
Rango de voltaje	24 V CC
Giro del cabezal	135°
Iluminación	200 Lumen

CONTENIDO DEL PAQUETE



PIEZA	DESCRIPCIÓN
A	Interruptor de ENCENDIDO/ APAGADO
B	Cubierta transparente

PIEZA	DESCRIPCIÓN
E	Cabezal
F	Enganche

ADVERTENCIA

- Retire la herramienta del paquete y examínela con cuidado. No deseche la caja ni ningún material de embalaje hasta después de examinar todas las piezas.
- Si falta alguna pieza de la herramienta o si alguna pieza está dañada, no fije el paquete de baterías ni use la herramienta hasta reparar o reemplazar la pieza. El incumplimiento de esta advertencia podría provocar lesiones graves.

INFORMACIÓN DE SEGURIDAD

Lea y comprenda completamente este manual antes de intentar ensamblar u operar este producto. Si tiene preguntas relacionadas con el producto, llame al Departamento de Servicio al Cliente al 1-888-3KOBALT, de lunes a viernes de 8 a.m. a 8 p.m., hora estándar del Este.

Conozca la herramienta

Para operar esta herramienta, lea detenidamente este manual y todas las etiquetas fijadas a la herramienta antes de usarla. Conserve este manual para tenerlo como referencia futura.

Importante

Esta herramienta solo debe ser reparada por un técnico de servicio calificado.

Lea por completo todas las instrucciones

Advertencias específicas de seguridad para la luz de trabajo LED

ADVERTENCIA

- **Lea todas las advertencias de seguridad y todas las instrucciones.** El incumplimiento de las advertencias y las instrucciones podría provocar descargas eléctricas, incendios o lesiones graves.

Guarde todas las advertencias e instrucciones para referencia futura

- **Conozca su luz de trabajo LED. Lea el manual del operador con atención. Conozca las aplicaciones y limitaciones, así como también los posibles peligros específicos relacionados con esta herramienta.** El cumplimiento de esta norma permitirá disminuir el riesgo de descargas eléctricas, incendios o lesiones graves.
- **No permita que los niños usen la luz de trabajo LED; no es un juguete.**
- **No mire directamente hacia la luz de trabajo LED.** Evite la exposición directa a los ojos. La luz de trabajo LED puede causar ceguera por destello.
- **No exponga las herramientas eléctricas a la lluvia o a condiciones de humedad.** El ingreso de agua en una herramienta eléctrica aumentará el riesgo de descarga eléctrica.
- **Desconecte el paquete de baterías de la herramienta eléctrica antes de realizar cualquier ajuste, cambiar accesorios o almacenar herramientas eléctricas.** Este tipo de medidas de seguridad preventivas reduce el riesgo de arranques accidentales de la herramienta eléctrica.
- **Almacene las herramientas eléctricas que no estén en uso fuera del alcance de los niños y no permita que las personas no familiarizadas con la herramienta o estas instrucciones la operen.** Las herramientas eléctricas son peligrosas en manos de usuarios sin capacitación.
- **Use la herramienta solo con paquetes de baterías designados específicamente.** El uso de cualquier otro paquete de baterías puede crear un riesgo de lesión e incendio.
- **Cuando un paquete de baterías no está en uso, aléjelo de otros objetos metálicos, como sujetapapeles, monedas, llaves, clavos, tornillos u otros objetos metálicos pequeños que pudieran crear una conexión entre los terminales.** Es posible que una conexión entre los terminales produzca quemaduras o un incendio.
- **En condiciones de maltrato, es posible que salga líquido de la batería; evite el contacto. Si se produce un contacto accidental, enjuáguese con agua. Si el líquido entra en contacto con los ojos, además de esto, solicite atención médica.** El líquido que sale de la batería puede provocar irritación o quemaduras.

INFORMACIÓN DE SEGURIDAD

- Permita que solo una persona capacitada repare la herramienta eléctrica, únicamente mediante el uso de piezas de repuesto idénticas. Esto mantendrá la seguridad de la herramienta eléctrica.

PRECAUCIÓN

- Superficie caliente.
- Riesgo de quemaduras: No tocar.
- Riesgo de incendio: Mantener la herramienta lejos de materiales combustibles.

INSTRUCCIONES IMPORTANTES DE SEGURIDAD

ADVERTENCIA

- Al usar artefactos eléctricos, siempre se deben respetar las siguientes medidas de precaución básicas:
- Lea todas las instrucciones antes de usar el artefacto.
- Para reducir el riesgo de lesiones, es necesario supervisar detenidamente la operación cuando los niños están cerca del artefacto.
- No use el producto en exteriores.
- Para reducir el riesgo de descarga eléctrica, no sumerja la luz de trabajo LED ni el paquete de la batería en agua o en cualquier otro líquido. No coloque ni almacene el artefacto donde este pudiera caerse a una bañera o a un fregadero.
- Para usar únicamente con los siguientes modelos de paquete de baterías: KB 124-03, KB 224-03, KB 424-03 o KB 524-03.
- Use únicamente el cargador suministrado por el fabricante para la recarga.

GUARDE ESTAS INSTRUCCIONES

PREPARACIÓN

Conozca su luz de trabajo LED

Antes de intentar usar la luz de trabajo LED, familiarícese con todas sus características de operación y requisitos de seguridad.

ADVERTENCIA

- No permita que la familiaridad con la luz de trabajo LED lo vuelva descuidado. Recuerde que un momento de descuido es suficiente para causar lesiones graves. Antes de intentar utilizar cualquier herramienta, asegúrese de familiarizarse con todas las características de operación y las instrucciones de seguridad.
- No intente modificar esta herramienta ni crear accesorios que no estén recomendados para usar con esta herramienta. Cualquiera de estas alteraciones o modificaciones es indebida y podría ocasionar una condición peligrosa que lleve a posibles lesiones personales graves.

INSTRUCCIONES DE FUNCIONAMIENTO

1. Paquete de baterías

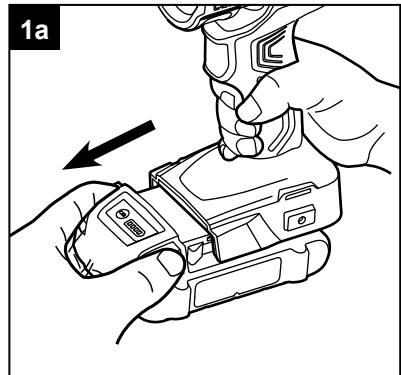
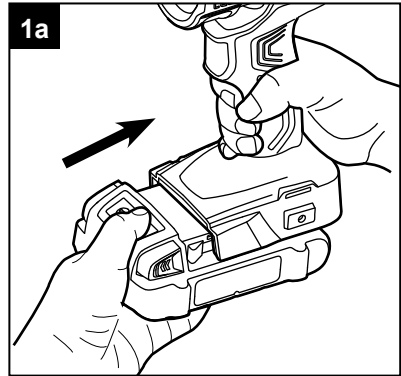
Para fijar el paquete de baterías

- Alinee la parte elevada del paquete de baterías con las ranuras de la parte inferior de la herramienta y luego deslice el paquete de baterías en la herramienta como se muestra.
- Asegúrese de que el pestillo del paquete de baterías encaje en su lugar y que el paquete de baterías esté fijo en la herramienta antes de comenzar la operación.

AVISO: Al colocar el paquete de baterías en la herramienta, asegúrese de que la varilla elevada del paquete de baterías se alinee con la ranura de la herramienta y que el pestillo encaje en su lugar adecuadamente. El ensamblaje inadecuado del paquete de baterías puede provocar daños a los componentes internos.

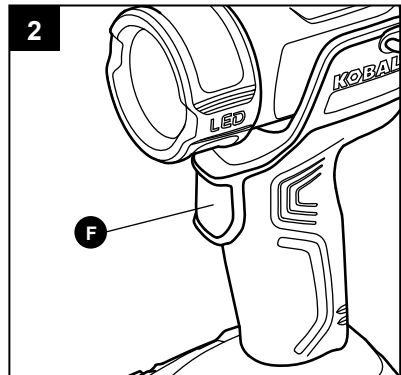
Para liberar el paquete de baterías

- Presione el botón de liberación de la batería para liberar el paquete de baterías.
- Tire del paquete de baterías hacia delante para retirar la batería de la herramienta.



2. Interruptor de ENCENDIDO/APAGADO

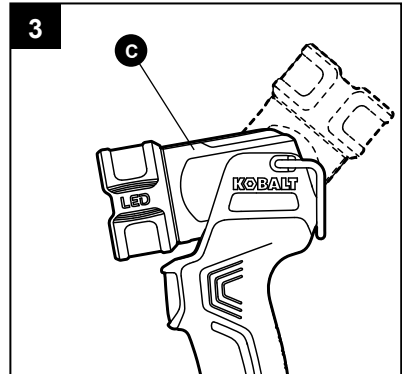
- Para ENCENDER la luz de trabajo LED, presione el interruptor de ENCENDIDO/APAGADO (A).
- Para APAGARLA, presione el interruptor otra vez.



INSTRUCCIONES DE FUNCIONAMIENTO

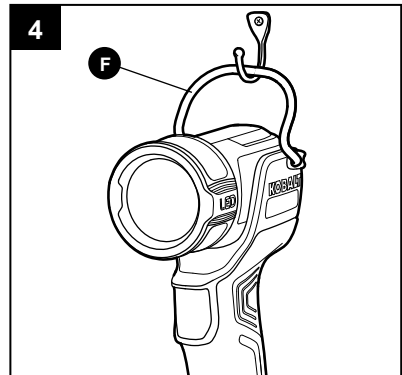
3. Ajuste del cabezal de la luz de trabajo LED

El cabezal de la luz (C) gira desde la posición completamente vertical hasta la posición completamente plegada y puede permanecer en cualquier punto dentro del rango de 135°.



4. Enganche

La luz de trabajo LED está equipada con un enganche (D). La luz se puede transportar o colgar de un objeto con el enganche.



CUIDADO Y MANTENIMIENTO

⚠ Todas las tareas de mantenimiento deben estar a cargo únicamente de un técnico de servicio calificado.

Limpieza

Antes de limpiar o realizar cualquier tarea de mantenimiento, retire el paquete de baterías de la herramienta. Para un uso seguro y adecuado, siempre mantenga limpias la herramienta y sus ranuras de ventilación.

Siempre use solamente un paño suave y seco para limpiar la luz de trabajo LED; nunca use detergente ni alcohol.

SOLUCIÓN DE PROBLEMAS



ADVERTENCIA

- Coloque el interruptor en la posición "OFF" (Apagado) y retire el paquete de baterías de la herramienta antes de realizar procedimientos de solución de problemas.

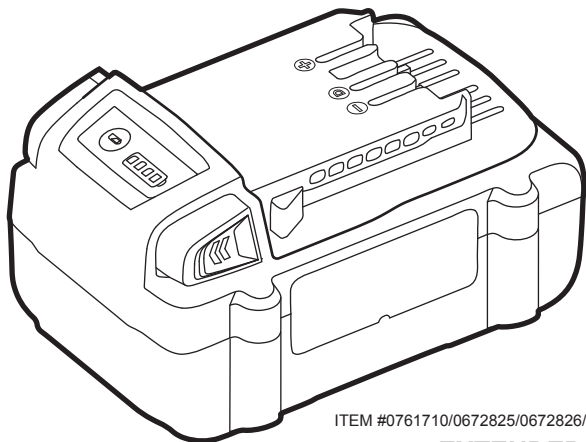
PROBLEMA	CAUSA POSIBLE	ACCIÓN CORRECTIVA
La luz de trabajo LED no funciona	La batería está agotada	Cargue la batería

GARANTÍA

Desde la fecha de compra, la luz de trabajo LED posee una garantía de 5 años y la batería y el cargador, una garantía de 3 años. Esta garantía se extiende al comprador original para asegurar que los productos están libres de defectos en los materiales y la mano de obra. Esta garantía no cubre daños por el abuso, desgaste normal, mantenimiento inadecuado, negligencia, reparación/alteración no autorizada o piezas fungibles y accesorios que se espera que queden inutilizables después de un período de uso razonable.

Si cree que este producto cumple con los criterios de garantía mencionados arriba, devuelva el producto al lugar donde lo compró con un comprobante de compra válido y el producto defectuoso se reparará o reemplazará sin cargo. Esta garantía le otorga derechos legales específicos, pero también podría tener otros derechos que varían según el estado.

KOBALT®



ITEM #0761710/0672825/0672826/0790022

EXTENDED RUN LITHIUM-ION BATTERY

KOBALT® and the K Design® are registered trademarks of LF, LLC. All Rights Reserved.

MODEL #KB 424-03

Español p. 11

ATTACH YOUR RECEIPT HERE

Serial Number _____ Purchase Date _____



Questions, problems, missing parts? Before returning to your retailer, call our customer service department at 1-888-3KOBALT (1-888-356-2258), 8 a.m. - 8 p.m., EST, Monday - Friday.

AB15768

kobalttools.com **KOBALT.**

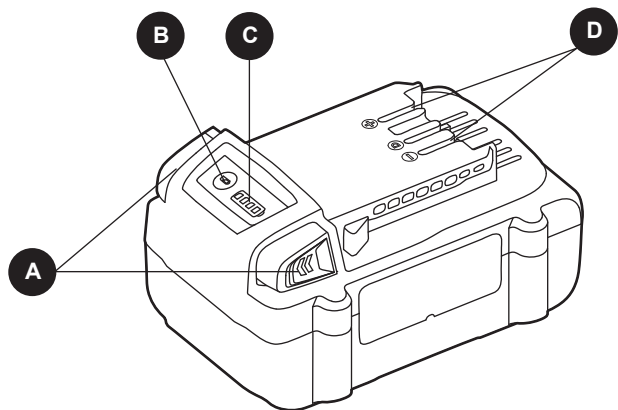
TABLE OF CONTENTS

Product Specifications	2
Package Contents	3
Safety Information	4
Preparation	6
Operating Instructions	7
Care and Maintenance	10
Warranty	10

PRODUCT SPECIFICATIONS

COMPONENT	SPECIFICATIONS
Battery voltage	24V d.c.
Battery capacity	4.0 Ah
Battery type	Lithium-ion
Battery charger model	KRC 2445-03; KRC 2490-03

PACKAGE CONTENTS



PART	DESCRIPTION
A	Battery-release buttons
B	Power-indicator button
C	Power indicator
D	Electrical contacts

⚠ WARNING

- Remove the battery pack from the package and examine it carefully. Do not discard the carton or any packaging material until all parts have been examined.
- If any part of the tool is missing or damaged, do not attach the battery pack or use the tool until the part has been repaired or replaced. Failure to heed this warning could result in serious injury.

SAFETY INFORMATION

Please read and understand this entire manual before attempting to assemble or operate this product. If you have any questions regarding the product, please call customer service at 1-888-3KOBALT, 8 a.m. - 8 p.m., EST, Monday - Friday.

Know the Tool

To operate this battery pack, carefully read this manual and all labels affixed to the battery pack before using it. Keep this manual available for future reference.

Important

This battery pack should be serviced only by a qualified service technician.

Read All Instructions Thoroughly

Battery Pack Safety Warnings

WARNING

- Before using battery pack, read all instructions and cautionary markings on battery pack, battery charger, and tools using battery. Failure to follow the warnings and instructions may result in electric shock, fire and/or serious injury.
- Recharge only with the charger specified by the manufacturer. A charger that is suitable for one type of battery pack may create a risk of fire when used with another battery pack.

SAFETY INFORMATION

- Know your power tool. Read the operator's manual carefully. Learn the tool's applications and limitations, as well as the specific potential hazards related to this tool. Following this rule will reduce the risk of electric shock, fire, or serious injury.
- When battery pack is not in use, keep it away from other metal objects like paperclips, coins, keys, nails, screws or other small metal objects that can make a connection from one terminal to another. Shorting the battery terminals together may cause burns or a fire.
- Do not open the battery. There is risk of a short circuit.
- Battery tools do not have to be plugged into an electrical outlet; they are always in operating condition. Be aware of possible hazards when not using your battery tool or when changing accessories. Following this rule will reduce the risk of electric shock, fire or serious personal injury.
- Do not place battery tools or their batteries near fire or heat. This will reduce the risk of explosion and possible injury.
- Do not crush, drop or damage the battery pack. Do not use a battery pack or charger that has been dropped or received a sharp blow. A damaged battery is subject to explosion. Properly dispose of a dropped or damaged battery immediately.
- Batteries vent hydrogen gas and can explode in the presence of a source of ignition, such as a pilot light. To reduce the risk of serious personal injury, never use any cordless product in the presence of open flame. An exploded battery can propel debris and chemicals. If exposed, flush with water immediately.
- Do not charge the battery in a damp or wet location. Following this rule will reduce the risk of electric shock.
- For best results, your battery should be charged in a location where the temperature is greater than 41°F (5°C) and less than 104°F (40°C). Do not store outside or in vehicles.

SAFETY INFORMATION

- Under extreme usage or temperature conditions, battery leakage may occur. If liquid comes in contact with your skin, wash immediately with soap and water, then neutralize with lemon juice or vinegar. If liquid gets in your eyes, flush them with clean water for at least 10 minutes, then seek immediate medical attention. Following this rule will reduce the risk of serious personal injury.
- Do not let gasoline, oils, petroleum-based products, etc., come in contact with plastic parts. These substances contain chemicals that can damage, weaken or destroy plastic.
- Save these instructions. Refer to them frequently and use them to instruct others who may use this tool. If you lend someone this tool, lend them these instructions also to prevent misuse of the product and possible injury.

PREPARATION

Know Your Battery Pack

Before attempting to use the battery pack, familiarize yourself with all of its operating features and safety requirements.

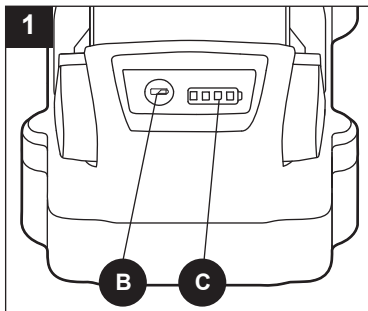
WARNING

- Do not attempt to modify the battery pack or create accessories not recommended for use with this battery pack. Any such alteration or modification is misuse and could result in a hazardous condition leading to possible serious personal injury.

OPERATING INSTRUCTIONS

1. Power Indicator

This lithium-ion battery pack is equipped with a power indicator that displays the battery pack's charge status. Press the power-indicator button (B) to display the LED lights in the power indicator (C). The LED lights will stay lit for approximately 5 seconds. It is recommended that the battery pack be brought up to full charge before starting a big job or using it for an extended period of time.



NOTICE: The power indicator can be used whether the battery is attached or removed from tool.

- ● ● ● 80%-100% charge
- ● ● ○ 60% - 79% charge
- ● ○ ○ 40% - 59% charge
- ○ ○ ○ 20% - 39% charge
- ☼ ○ ○ ○ Fewer than 20% charge
- ☼ ☼ ☼ ☼ Completely discharged or overloaded
- ☼ ○ ☼ ○ High/Low temperature

OPERATING INSTRUCTIONS

Low Capacity Warning

If one LED of the power indicator (C) begins to flash, the battery pack is charged to less than 20% of its capacity and should be recharged.

Unlike other types of battery packs, lithium-ion battery packs deliver fade-free power for their entire run time. The tool will not experience a slow, gradual loss of power as it is used. The power delivered to the tool will drop quickly when the battery pack is at the end of its run time and needs to be charged. It is not necessary to completely discharge the battery pack before recharging. Remove the battery pack from the tool and recharge it when it is convenient or when it is not in use.

Battery Protection

The battery circuitry protects the battery pack from extreme temperature, over-discharge, and over-charge. To protect the battery pack from damage and prolong its life, the battery pack circuitry will turn off the battery pack if it becomes overloaded or if the temperature becomes too high during use. This may happen in extremely high torque, binding, and stalling situations. This system will begin normal operation when it returns to 32°F (0°C) - 122°F (50°C).

The power indicator (C) will display four flashing LED lights if the circuitry detects a momentary overload. Reset the battery pack by pressing the power-indicator button (A). Press the power indicator button again to display the remaining charge.

NOTICE: A significantly reduced run time after fully charging the battery pack indicates that the batteries are near the end of their usable life and must be replaced.

OPERATING INSTRUCTIONS

2. Cold Weather Operation

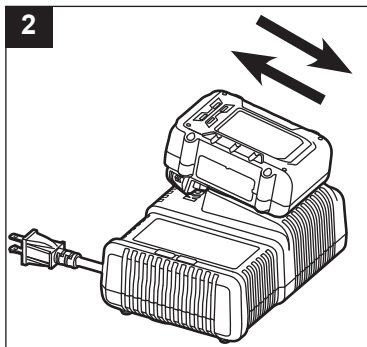
This lithium-ion battery pack will provide optimal performance in temperatures between 32°F (0°C) and 104°F (40°C). When the battery pack is very cold, it may “pulse” for the first minute of use to warm itself. Put the battery pack on a tool and use the tool in a light application. After about a minute, the battery pack will have warmed itself and will operate normally.

3. To Charge the Battery Pack


NOTICE: This lithium-ion battery pack is shipped partially charged. Before using it the first time, fully charge the battery pack.


A fully discharged battery pack will charge in about 70 minutes with charger KRC 2490-03 in a surrounding temperature between 41°F (5°C) and 104°F (40°C).

- Always charge the battery pack with the correct charger.
- Connect the charger to a power supply.
- Attach the battery pack to the charger by aligning the raised ribs of the battery pack with the slot in the charger. Slide the battery pack onto the charger (Fig. 2).
- When the charger indicates the battery pack is fully charged, remove it from the charger.




CARE AND MAINTENANCE

 All maintenance should only be carried out by a qualified service technician.

 Dispose of used battery packs promptly. Keep battery packs away from children. Do not disassemble battery packs and do not dispose of them in fire.

Cleaning

 Before cleaning or performing any maintenance, remove the battery pack from the tool. For safe and proper operation, always keep the tool and its ventilation slots clean.

Always use only a soft, dry cloth to clean your battery pack; never use detergent or alcohol.

3-YEAR HASSLE-FREE WARRANTY

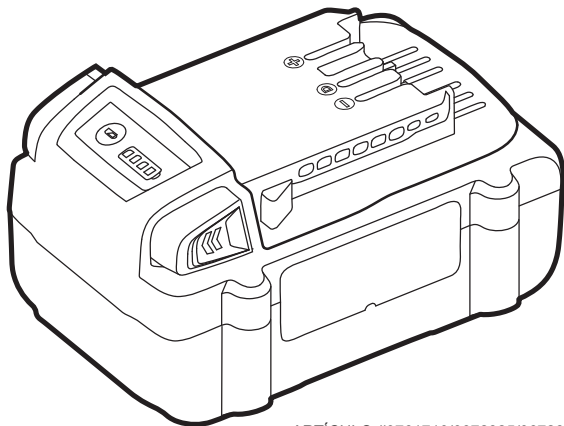
For 3 years from date of purchase the battery is warranted for the original purchaser to be free from defects in material and workmanship. This guarantee does not cover damage due to abuse, normal wear, improper maintenance, neglect, unauthorized repair/alteration, or expendable parts and accessories expected to become unusable after a reasonable period of use.

If you think your product meets the above guarantee criteria, please return it to the place of purchase with valid proof of purchase and the defective product will be repaired or replaced at no charge. This guarantee gives you specific legal rights, and you may also have other rights that vary from state to state.

Printed in China

KOBALT® and the K Design® are registered trademarks of LF, LLC. All Rights Reserved.

KOBALT®



ARTÍCULO #0761710/0672825/0672826/0790022

BATERÍA DE LITIO-IÓN CON MAYOR TIEMPO DE FUNCIONAMIENTO

KOBALT® y K Design® son marcas registradas
de LF, LLC. Todos los derechos reservados.

MODELO #KB 424-03

ADJUNTE SU RECIBO AQUÍ

Número de serie _____ **Fecha de compra** _____



¿Preguntas, problemas, piezas faltantes? Antes de volver a la tienda, llame a nuestro Departamento de Servicio al Cliente al 1-888-3KOBALT (1-888-356-2258), de lunes a viernes de 8 a.m. a 8 p.m., hora estándar del Este.

kobalttools.com **KOBALT.**

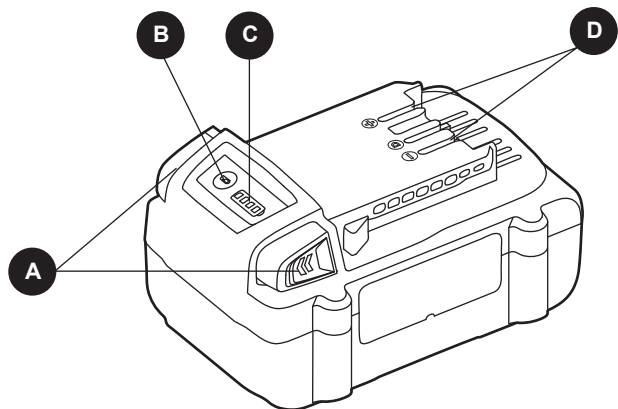
ÍNDICE

Especificaciones del producto	12
Contenido del paquete	13
Información de seguridad	14
Preparación	16
Instrucciones de funcionamiento	17
Cuidado y mantenimiento	20
Garantía	20

ESPECIFICACIONES DEL PRODUCTO

COMPONENTE	ESPECIFICACIONES
Voltaje de la batería	24V c.c.
Capacidad de la Batería	4,0 Ah
Tipo de batería	Litio-ión
Modelo de cargador de batería	KRC 2445-03; KRC 2490-03

CONTENIDO DEL PAQUETE



PIEZA	DESCRIPCIÓN
A	Botones de liberación de la batería
B	Botón indicador de encendido
C	Indicador de alimentación
D	Contactos eléctricos

⚠ ADVERTENCIA

- Retire el paquete de baterías del paquete y examínelo con cuidado. No deseché la caja ni ningún material de embalaje hasta después de examinar todas las piezas.
- Si falta alguna pieza o si alguna pieza está dañada, no fije el paquete de baterías ni use la herramienta hasta reparar o reemplazar la pieza. El incumplimiento de esta advertencia podría provocar lesiones graves.

INFORMACIÓN DE SEGURIDAD

Lea y comprenda por completo este manual antes de intentar ensamblar u operar este producto. Si tiene preguntas relacionadas con el producto, llame al Departamento de Servicio al Cliente al 1-888-3KOBALT, de lunes a jueves de 8 a.m. a 8 p.m., hora estándar del Este.

Conozca la herramienta

Para operar este paquete de baterías, lea detenidamente este manual y todas las etiquetas fijadas en el paquete de baterías antes de usarlo. Guarde este manual para referencia futura.

Importante

Solo un técnico calificado puede reparar este paquete de baterías.

Lea por completo todas las instrucciones

Advertencias de seguridad para el paquete de baterías

ADVERTENCIA

- Antes de usar el paquete de baterías, lea todas las instrucciones y las marcas de precaución en el paquete de baterías, en el cargador de la batería y en las herramientas que utilicen la batería. El incumplimiento de las advertencias y las instrucciones podría provocar descargas eléctricas, incendios o lesiones graves.
- Recargue únicamente con el cargador especificado por el fabricante. Un cargador adecuado para un tipo de paquete de baterías puede crear un riesgo de incendio cuando se usa con otro paquete de baterías.
- Conozca su herramienta eléctrica. Lea el manual del operador con atención. Conozca las aplicaciones y las limitaciones de la herramienta, así como también los posibles peligros específicos relacionados con esta herramienta. Al seguir esta norma se disminuirá el riesgo de descargas eléctricas, incendios o lesiones graves.

INFORMACIÓN DE SEGURIDAD

- Cuando el paquete de baterías no está en uso, aléjelo de objetos metálicos, como sujetapapeles, monedas, llaves, clavos, tornillos u otros objetos metálicos pequeños que pudieran crear una conexión entre los terminales. Es posible que una conexión entre los terminales produzca quemaduras o un incendio.
- No abra la batería. Existe el riesgo de que se produzca un cortocircuito.
- Las herramientas con batería no se deben enchufar en un tomacorriente; siempre están en condiciones de funcionamiento. Tenga en cuenta que hay posibles peligros cuando no usa su herramienta con batería o cuando cambia los accesorios. Al seguir esta norma disminuirá el riesgo de una descarga eléctrica, incendio o lesiones personales graves.
- No coloque las herramientas con batería ni sus baterías cerca del fuego o calor. Esto disminuirá el riesgo de explosión y de posibles lesiones.
- No aplaste, deje caer ni dañe el paquete de baterías. No utilice un paquete de baterías que se haya caído o que haya recibido un golpe fuerte. Una batería dañada puede explotar. Deseche de inmediato y de forma adecuada una batería que se haya caído o presente daños.
- Las baterías emanan gas hidrógeno y pueden explotar en la presencia de una fuente de ignición, como una luz piloto. Para reducir el riesgo de lesiones personales graves, nunca utilice un producto inalámbico en la presencia de una llama abierta. La explosión de una batería puede lanzar desechos y químicos. Si se expone, enjuague inmediatamente con agua.
- No coloque la batería en una ubicación húmeda o mojada. El cumplimiento de esta norma reduce el riesgo de descarga eléctrica.
- Para obtener los mejores resultados, la batería se debe cargar en una ubicación donde la temperatura sea superior a 5 °C (41 °F) pero inferior a 40 °C (104 °F). No almacene en el exterior ni en vehículos.

INFORMACIÓN DE SEGURIDAD

- Es posible que se produzcan fugas de la batería bajo condiciones extremas de temperatura o uso. Si un líquido entra en contacto con su piel, lave inmediatamente con agua y jabón, luego neutralice con jugo de limón o vinagre. Si entra líquido en sus ojos, enjuáguelos con agua limpia durante al menos 10 minutos, luego busque atención médica inmediatamente. El cumplimiento de esta norma reduce el riesgo de lesiones personales graves.
- No permita que gasolina, aceites, productos a base de petróleo, etc. entren en contacto con las piezas de plástico. Estas sustancias contienen químicos que pueden dañar, debilitar o destruir el plástico.
- Guarde estas instrucciones. Consúltelas a diario y utilícelas para instruir a otras personas que puedan utilizar esta herramienta. Si presta esta herramienta a alguien, préstele también estas instrucciones para evitar un uso inadecuado del producto y posibles lesiones.

PREPARACIÓN

Información acerca del paquete de baterías

Antes de intentar usar el paquete de baterías, familiarícese con todas sus características de operación y requisitos de seguridad.

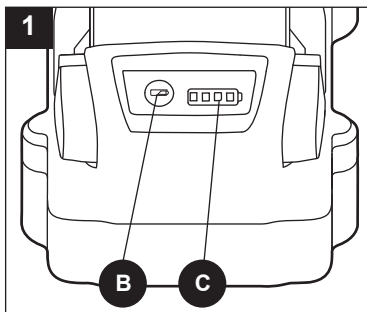
ADVERTENCIA

- No intente modificar el paquete de baterías ni crear accesorios que no estén recomendados para utilizar con este paquete de baterías. Cualquier alteración o modificación se la considera como un mal uso del producto y podría causar una condición peligrosa que podría conllevar lesiones personales graves.

INSTRUCCIONES DE FUNCIONAMIENTO

1. Indicador de alimentación

Este paquete de baterías de litio-ión está equipado con un indicador de alimentación que muestra el estado de la carga del paquete de baterías. Presione el botón indicador de alimentación (B) para mostrar las luces de bombilla LED en el indicador de alimentación (C). Las luces de bombilla LED permanecerán encendidas por aproximadamente 5



segundos. Se recomienda que el paquete de baterías esté cargado por completo antes de comenzar un trabajo grande o antes de usarlo por un periodo largo de tiempo.

AVISO: El indicador de alimentación se puede usar si la batería está o no en la herramienta.

- ● ● ● 80% a 100% de carga
- ● ● ○ 60% a 79% de carga
- ● ○ ○ 40% a 59% de carga
- ○ ○ ○ 20% a 39% de carga
- ☀ ○ ○ ○ Menos de 20% de carga
- ☀ ☀ ☀ ☀ Completamente descargado o sobrecargado
- ☀ ○ ☀ ○ Temperatura alta/baja

INSTRUCCIONES DE FUNCIONAMIENTO

Advertencia de poca capacidad

Si una bombilla LED del indicador de alimentación (C) comienza a destellar, el paquete de baterías está cargado con menos del 20% de su capacidad y se debe volver a cargar.

A diferencia de otros paquetes de baterías, los paquetes de baterías de litio-ión entregan una fuerza que no decae durante todo su funcionamiento. La herramienta no sufrirá una pérdida gradual y lenta de potencia mientras se usa. La potencia que se entrega a la herramienta bajará rápidamente cuando el paquete de baterías se encuentre al final de su tiempo de funcionamiento y se deba cargar. No es necesario descargar completamente el paquete de baterías antes de volver a cargarlo. Retire el paquete de baterías de la herramienta y recárguelo cuando sea conveniente o cuando no esté en uso.

Protección de la batería

El circuito de la batería protege al paquete de baterías de la temperatura extrema, sobre descarga y sobre carga. Para proteger el paquete de baterías de daños y prolongar su vida, el circuito del paquete de baterías apagará el paquete de baterías si se sobrecarga o si la temperatura sube demasiado mientras está en uso. Esto puede suceder en situaciones de torsión extremadamente alta, trabas y atascamiento. Este sistema comenzará con su funcionamiento normal cuando la batería regrese entre 0 °C (32 °F) y 50 °C (122 °F).

El indicador de alimentación (C) mostrará cuatro luces de bombilla LED intermitentes si el circuito detecta una sobrecarga momentánea. Reinicie el paquete de baterías al presionar el botón de indicador de alimentación (A). Presione el botón de indicador de alimentación nuevamente para mostrar lo que queda de la carga.

AVISO: Una disminución notable del tiempo de funcionamiento después de cargar por completo el paquete de baterías, indica que las baterías están llegando al final de su vida útil y se deben reemplazar.

INSTRUCCIONES DE FUNCIONAMIENTO

2. Uso en clima frío

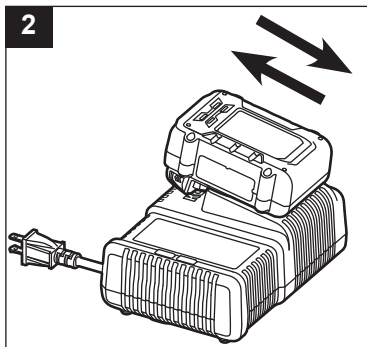
El paquete de baterías de litio ión proporcionará un rendimiento óptimo en un ambiente con temperaturas entre 0 °C (32 °F) y 40 °C (104 °F). Cuando el paquete de baterías está muy frío, puede que “pulse” durante el primer minuto de uso para entibiarse. Coloque el paquete de baterías en una herramienta y use la herramienta en una aplicación ligera. Después de un minuto, el paquete de baterías se habrá entibiado y funcionará con normalidad.

3. Para cargar el paquete de baterías

AVISO: Este paquete de baterías de litio ión se envía con una carga parcial. Antes de usarlo por primera vez, debe cargar el paquete de baterías por completo.

El paquete de baterías completamente descargado se cargará en 70 minutos con el cargador KRC 2490-03 en un ambiente con temperaturas entre 5 °C (41 °F) y 40 °C (104 °F).

- Siempre cargue el paquete de baterías con el cargador correcto.
- Conecte el cargador a un suministro de electricidad.
- Conecte el paquete de baterías al cargador al alinear las varillas elevadas del paquete de baterías con la ranura en el cargador. Deslice el paquete de baterías sobre el cargador (Fig. 2).



- Cuando el cargador indica que el paquete de baterías está completamente cargado, retírelo del cargador.

CUIDADO Y MANTENIMIENTO

! Todos los mantenimientos se deben realizar únicamente por un técnico de servicio calificado.

! Deseche de inmediato los paquetes de baterías usados. Mantenga los paquetes de baterías alejados de los niños. No desensamble ni incinere los paquetes de baterías.

Limpieza

! Antes de limpiar o realizar cualquier mantenimiento, retire el paquete de baterías de la herramienta. Para un uso seguro y adecuado, siempre mantenga limpias la herramienta y sus ranuras de ventilación.

Siempre use solamente un paño suave y seco para limpiar el paquete de baterías; nunca use detergente ni alcohol.

3 AÑOS DE GARANTÍA SIN PROBLEMAS

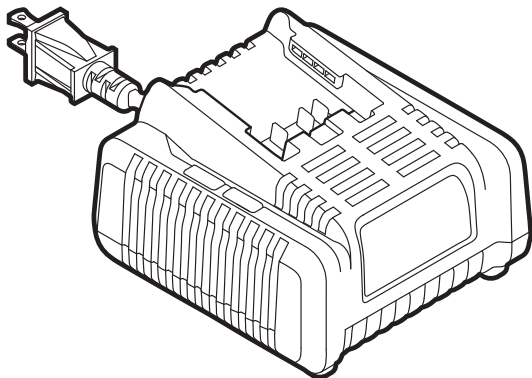
La batería está garantizada contra defectos de fabricación en materiales y mano de obra por 3 años desde la fecha de compra para el comprador original. Esta garantía no cubre daños por el abuso, desgaste normal, mantenimiento inadecuado, negligencia, reparación/ alteración no autorizada o piezas fungibles y accesorios que se esperan que sean inutilizables después de un período de uso razonable.

Si cree que este producto cumple con la garantía mencionada arriba, devuelva el producto al lugar donde lo compró con un comprobante de compra válido y el producto defectuoso se reparará o reemplazará sin cargo. Esta garantía le otorga derechos legales específicos, pero también podría tener otros derechos que varían según el estado.

Impreso en China

KOBALT® y K Design® son marcas registradas de LF, LLC. Todos los derechos reservados.

KOBALT™



ITEM #0672826/0672827/0672823/0672824/0790022/0790024
0854723/0854724/0854725/0856455/0856456/0856457

LITHIUM-ION CHARGER

MODEL #KRC 2445-03

Español p. 15

ATTACH YOUR RECEIPT HERE

Serial Number _____ **Purchase Date** _____



Questions, problems, missing parts? Before returning to your retailer, call our customer service department at 1-888-3KOBALT (1-888-356-2258), 8 a.m. - 8 p.m., EST, Monday - Friday.

AB15783

TABLE OF CONTENTS

Product Specifications	2
Package Contents	3
Safety Information	4
Preparation	9
Operating Instructions	10
Care and Maintenance	12
Warranty	13

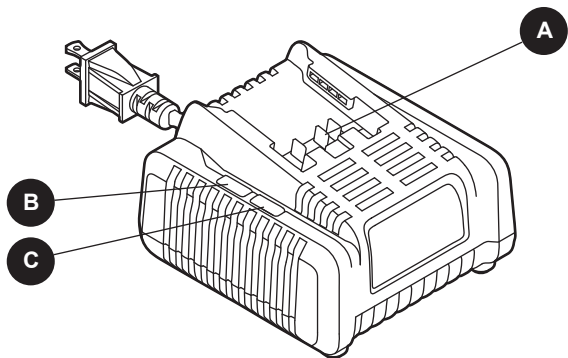
PRODUCT SPECIFICATIONS

COMPONENT	SPECIFICATIONS
Charger input	120V ~, 60Hz.
Charging output	25.2V d.c.
Optimum charging temperature	41°F (5°C) - 104°F (40°C)

NOTICE: Use with the following batteries only.

BATTERY PACK	VOLTAGE	TYPE
KB 124-03	24V	Li-Ion
KB 224-03	24V	Li-Ion
KB 424-03	24V	Li-Ion
KB 524-03	24V	Li-Ion

PACKAGE CONTENTS



PART	DESCRIPTION
A	Electric contacts
B	Green LED charge indicator
C	Red LED charge indicator

⚠ WARNING

- Remove the tool from the package and examine it carefully. Do not discard the carton or any packaging material until all parts have been examined.
- If any part of the tool is missing or damaged, do not attach the battery pack or use the tool until the part has been repaired or replaced. Failure to heed this warning could result in serious injury.

SAFETY INFORMATION

Please read and understand this entire manual before attempting to assemble or operate this product. If you have any questions regarding the product, please call customer service at 1-888-3KOBALT, 8 a.m. - 8 p.m., EST, Monday - Friday.

Know the Tool

To operate this tool, carefully read this manual and all labels affixed to the charger before using it. Keep this manual available for future reference.

Important

This charger should be serviced only by a qualified service technician.

Read All Instructions Thoroughly

IMPORTANT SAFETY INSTRUCTIONS- SAVE THESE INSTRUCTIONS

DANGER – TO REDUCE THE RISK OF FIRE OR ELECTRIC SHOCK, CAREFULLY FOLLOW THESE INSTRUCTIONS

Specific Safety Warnings for Charger

WARNING:

- Read and understand all instructions. Failure to follow all instructions listed below may result in electric shock, fire, and/or serious personal injury.
- Before using the battery charger, read all instructions and cautionary markings in this manual and on the battery charger. Also read all the instructions in the manuals for and the cautionary markings on the battery and the product using the battery to prevent misuse of the products and possible injury or damage.

SAFETY INFORMATION

CAUTION

- To reduce the risk of electric shock or damage to the charger and battery, charge only those rechargeable batteries specifically designated on your charger's label. Other types of batteries may burst, causing personal injury or damage.
- Do not use the charger outdoors or expose it to wet or damp conditions. Water entering the charger will increase the risk of electric shock.
- Use of an attachment not recommended or sold by the battery-charger manufacturer may result in a risk of fire, electric shock or injury to persons.
- Do not abuse the cord or charger. Never use the cord to carry the charger. Do not pull the charger cord to disconnect the plug from a receptacle. Damage to the cord or charger could occur and create an electric shock hazard. Replace damaged cords immediately.
- Make sure that the cord is located so that it will not be stepped on, tripped over, come in contact with sharp edges or moving parts, or otherwise be subjected to damage or stress. This will reduce the risk of accidental falls, which could cause injury and damage to the cord, which could then result in electric shock.
- Keep the cord and charger away from heat to prevent damage to the housing or internal parts.
- Do not allow gasoline, oils, petroleum-based products, etc., to come in contact with plastic parts. These materials contain chemicals that can damage, weaken, or destroy plastic.

SAFETY INFORMATION

- An extension cord should not be used unless absolutely necessary. Use of an improper extension cord could result in a risk of fire and electric shock. If an extension cord must be used, make sure that:
 - The pins on the plug of extension cord are the same number, size and shape as those of the plug on charger.
 - The cord is properly wired and in good electrical condition.
 - The size is large enough for A/C ampere rating of charger as specified below:

Cord Length (Feet)	25 ft.	50 ft.	100 ft.
Cord Size (AWG)	16	16	16

NOTE: AWG = American Wire Gauge

- Do not operate the charger with a damaged cord or plug, which could cause shorting and electric shock. If damaged, have the charger repaired or replaced by a qualified service technician.
- Do not operate the charger if it has received a sharp blow, been dropped, or has otherwise been damaged in any way. Take it to a qualified service technician for an electrical check to determine if the charger is in good working order.
- Do not disassemble the charger. Take it to a qualified service technician when service or repair is required. Incorrect reassembly may result in a risk of electric shock or fire.
- Unplug the charger from the electrical outlet before attempting any maintenance or cleaning to reduce the risk of electric shock.
- Disconnect charger from the power supply when not in use. This will reduce the risk of electric shock or damage to the charger if metal items should fall into the opening. It will also help prevent damage to the charger during a power surge.

SAFETY INFORMATION

- Risk of electric shock. Do not touch the uninsulated portion of output connector or uninsulated battery terminal.
- Save these instructions. Refer to them frequently and use them to instruct others who may use this tool. If you loan this tool to someone else, also loan these instructions to them to prevent misuse of the product and possible injury.

DANGER

- People with electronic devices, such as pacemakers, should consult their physician(s) before using this product. Operation of electrical equipment in close proximity to a heart pacemaker could cause interference or failure of the pacemaker.

SAFETY INFORMATION

FCC Statement

- This device complies with Part 15 of the FCC Rules. Operation is subject to the following two conditions:
 - This device may not cause harmful interference.
 - This device must accept any interference received, including interference that may cause undesired operation.
- Changes or modifications not expressly approved by the party responsible for compliance could void the user's authority to operate the equipment.

NOTICE: This equipment has been tested and found to comply with the limits for a Class B digital device, pursuant to Part 15 of the FCC Rules. These limits are designed to provide reasonable protection against harmful interference in a residential installation. This equipment generates, uses, and can radiate radio frequency energy and, if not installed and used in accordance with the instructions, may cause harmful interference to radio communications. However, there is no guarantee that interference will not occur in a particular installation. If this equipment does cause harmful interference to radio or television reception, which can be determined by turning the equipment off and on, the user is encouraged to try to correct the interference by one or more of the following measures: Reorient or relocate the receiving antenna. Increase the separation between the equipment and receiver. Connect the equipment into an outlet on a circuit different from that to which the receiver is connected. Consult the dealer or an experienced radio/TV technician for help.

PREPARATION

Know Your Battery Charger

Before attempting to use the battery charger, familiarize yourself with all of its operating features and safety requirements.

WARNING

- Do not allow familiarity with the battery charger to cause carelessness. Remember that one careless moment is enough to cause severe injury. Before attempting to use any tool, be sure to become familiar with all of the operating features and safety instructions.
- Do not attempt to modify this charger or create accessories not recommended for use with this charger. Any such alteration or modification is misuse and could result in a hazardous condition leading to possible serious personal injury.

OPERATING INSTRUCTIONS

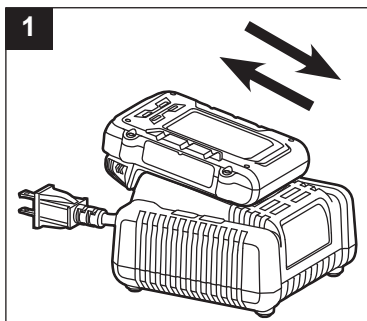
1. To Charge a Battery Pack

NOTICE: Battery packs are shipped in a low charge condition to prevent possible problems. Before using it the first time, fully charge the battery pack. Refer to the operating manual for your battery pack to determine charging times.

- a. Charge the battery pack with the correct charger.
- b. Connect the charger to a power supply. The red and green LED charge indicators (B and C) will illuminate approximately 1 second then turn off.

- c. Attach the battery pack to the charger by aligning the raised ribs of the battery pack with the slot in the charger. Slide the battery pack onto the charger (Fig. 1).

- d. The charger will communicate with the battery pack's circuitry to evaluate the condition of the battery pack. Please refer to the Charger Display section.



- e. The green LED will flash continuously during normal charging.
- f. After charging is complete, the green LED on the charger will be on and the power indicator LEDs on the battery pack will turn off. The power indicator LEDs will illuminate when the power indicator button is pressed while the battery pack is off the charger.

OPERATING INSTRUCTIONS

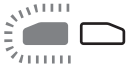

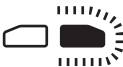

NOTICE:

- The battery pack will fully charge, but will not overcharge, if left on the charger.
- The charger may warm with several continuous charge cycles. This is part of the normal operation of the charger. Always charge the battery pack in a well-ventilated area.

Lithium-Ion Batteries

It is not necessary to run down the Lithium-Ion battery pack charge before recharging. Remove the battery pack from the tool and recharge it when it is convenient.

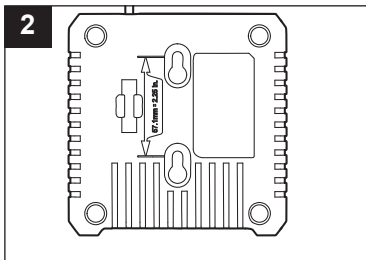
2. Charger Display

INDICATOR	BATTERY PACK	GREEN LED	RED LED	ACTION
	Normal charging	Flashing	Off	Charging
	Fully charged	On	Off	Charging is complete
	Defective	Off	Flashing	Battery pack or charger is defective
	Hot/Cold battery	Off	On	Battery is out of temperature range

OPERATING INSTRUCTIONS

3. Wall-mount holes

The charger has hanging holes for convenient storage. Install screws in the wall 2.25 inches apart. Use screws sufficiently strong to hold the combined weight of the charger and battery pack.



CARE AND MAINTENANCE

⚠ All maintenance should only be carried out by a qualified service organization.

Cleaning

⚠ Before cleaning or performing any maintenance, disconnect the battery charger from the power source. For safe and proper operation, always keep the charger and its ventilation slots clean.

Always use only a soft, dry cloth to clean your charger; never use detergent or alcohol.

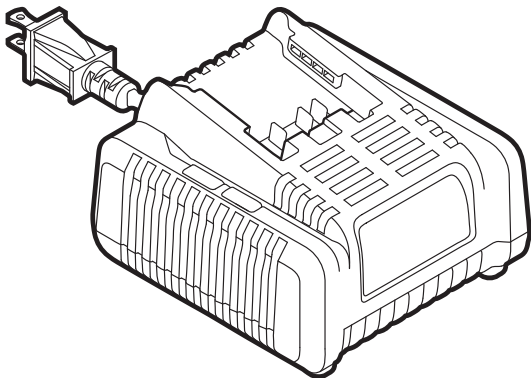
3-YEAR HASSLE-FREE WARRANTY

For 3 years from date of purchase the charger is warranted for the original purchaser to be free from defects in material and workmanship. This guarantee does not cover damage due to abuse, normal wear, improper maintenance, neglect, unauthorized repair/alteration, or expendable parts and accessories expected to become unusable after a reasonable period of use.

If you think your product meets the above guarantee criteria, please return it to the place of purchase with valid proof of purchase and the defective product will be repaired or replaced at no charge. This guarantee gives you specific legal rights, and you may also have other rights that vary from state to state.

Printed in China

KOBALT™



ARTÍCULO #0672826/0672827/0672823/0672824/0790022/0790024
0854723/0854724/0854725/0856455/0856456/0856457

CARGADOR DE LITIO IÓN

MODELO #KRC 2445-03

ADJUNTE SU RECIBO AQUÍ

Número de serie _____ **Fecha de compra** _____



¿Preguntas, problemas, piezas faltantes? Antes de volver a la tienda, llame a nuestro Departamento de Servicio al Cliente al 1-888-3KOBALT (1-888-356-2258), de lunes a viernes de 8 a.m. a 8 p.m., hora estándar del Este.

ÍNDICE

Especificaciones del producto	16
Contenido del paquete	17
Información de seguridad	18
Preparación	23
Instrucciones de funcionamiento	24
Cuidado y mantenimiento	26
Garantía	27

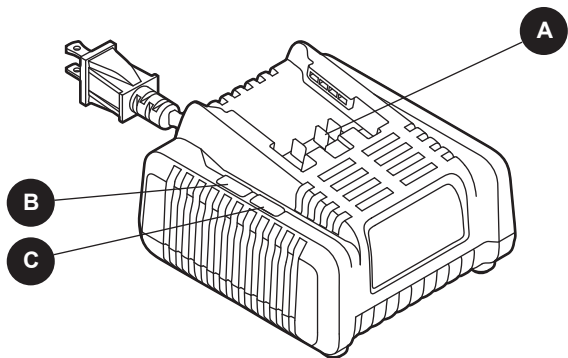
ESPECIFICACIONES DEL PRODUCTO

COMPONENTE	ESPECIFICACIONES
Entrada del cargador	120 V ~ 60 Hz
Salida de carga	25.2V c.c.
Temperatura óptima de carga	5 °C (41 °F) a 40 °C (104 °F)

AVISO: Solo para utilizar con las siguientes baterías.

PAQUETE DE BATERÍAS	VOLTAJE	TIPO
KB 124-03	24V	Li-Ion
KB 224-03	24V	Li-Ion
KB 424-03	24V	Li-Ion
KB 524-03	24V	Li-Ion

CONTENIDO DEL PAQUETE



⚠ ADVERTENCIA

- Retire la herramienta del paquete y examínela con cuidado. No deseche la caja ni ningún material de embalaje hasta después de examinar todas las piezas.
- Si falta alguna pieza o si alguna pieza está dañada, no fije el paquete de baterías ni use la herramienta hasta reparar o reemplazar la pieza. El incumplimiento de esta advertencia podría provocar lesiones graves.

INFORMACIÓN DE SEGURIDAD

Lea y comprenda este manual por completo antes de intentar ensamblar u operar este producto. Si tiene preguntas relacionadas con el producto, llame al Departamento de Servicio al Cliente al 1-888-3KOBALT, de lunes a jueves de 8 a.m. a 8 p.m., hora estándar del Este.

Conozca la herramienta

Para operar esta herramienta, lea con detenimiento este manual y todas las etiquetas del cargador antes de usarlo. Guarde este manual para referencia futura.

Importante

Solo un técnico calificado puede reparar este cargador.

Lea por completo todas las instrucciones

INSTRUCCIONES IMPORTANTES DE SEGURIDAD

GUARDE ESTAS INSTRUCCIONES

PELIGRO: PARA DISMINUIR EL RIESGO DE INCENDIO O DESCARGA ELÉCTRICA, SIGA CON DETENIMIENTO ESTAS INSTRUCCIONES.

Advertencias de seguridad específicas del cargador

ADVERTENCIA:

- Lea y comprenda todas las instrucciones. Si no se siguen todas las instrucciones detalladas a continuación, existe la posibilidad de una descarga eléctrica, un incendio o lesiones graves a la persona.
- Antes de usar el cargador de batería, lea todas las instrucciones y las marcas de precaución en este manual y en el cargador de batería. También lea todas las instrucciones en los manuales para las marcas de precaución en la batería y en el producto que utiliza la batería para evitar el uso indebido de los productos y posibles lesiones o daños.

INFORMACIÓN DE SEGURIDAD

PRECAUCIÓN

- Para reducir el riesgo de descarga eléctrica o daño al cargador o a la batería, cargue solo las baterías recargables designadas específicamente en la etiqueta de su cargador. Otros tipos de baterías podrían quemarse, lo que puede provocar lesiones personales o daños al producto.
- No utilice el cargador en exteriores ni lo exponga a condiciones de humedad. Si ingresa agua en el cargador, aumentará el riesgo de una descarga eléctrica.
- El uso de un accesorio no recomendado ni vendido por el fabricante del cargador de batería puede ocasionar riesgo de incendios, descargas eléctricas o lesiones a personas.
- No maltrate el cable o el cargador. Nunca use el cable para llevar el cargador. Nunca jale el cable de alimentación para desconectar el enchufe de un tomacorriente. Puede dañar el cable o el cargador y generar un peligro de descarga eléctrica. Reemplace los cables dañados inmediatamente.
- Asegúrese de saber dónde está el cable para evitar pisarlo, tropezarse con él, tener contacto con bordes filosos o piezas que se muevan para evitar dañarlo de alguna otra forma. Esto reducirá el riesgo de caídas accidentales, las cuales pueden dañar el cable y, por ende, pueden provocar una descarga eléctrica.
- Mantenga el cable y el cargador alejados del calor para evitar daños a las piezas internas o a la carcasa.
- No permita que gasolina, aceites, productos a base de petróleo, etc. entren en contacto con las piezas de plástico. Estos materiales contienen químicos que pueden dañar, debilitar o destruir el plástico.

INFORMACIÓN DE SEGURIDAD

- No se debe utilizar una extensión eléctrica a menos que sea absolutamente necesario. El uso de una extensión eléctrica inapropiada podría causar riesgo de incendio y de descarga eléctrica. Si es necesario utilizar una extensión eléctrica, asegúrese de lo siguiente:
 - Los pasadores en el enchufe de la extensión eléctrica deben ser del mismo número, tamaño y forma que los del enchufe del cargador.
 - La extensión eléctrica debe estar conectada de forma adecuada y en buenas condiciones eléctricas.
 - El tamaño debe ser lo suficientemente grande para el amperaje C/A que figura en el cargador como se especifica a continuación:

Largo del cable (metros)	7,62 m	5,24 m	30,48 m
Tamaño del cable (AWG)	16	16	16

NOTA: Calibre del alambre estadounidense = AWG

- No use el cargador con un cable o enchufe dañado, esto puede provocar un cortocircuito o una descarga eléctrica. Si se encuentra dañado, un técnico de servicio autorizado debe reparar o reemplazar el cargador.
- No use el cargador si recibió un golpe fuerte, se cayó o dañó de alguna forma. Llévelo a un técnico de servicio calificado para revisarlo y determinar si el cargador está en buenas condiciones.
- No desensamble el cargador. Llévelo a un técnico de servicio calificado cuando requiera reparación o mantenimiento. Si vuelve a ensamblar de forma incorrecta puede provocar un riesgo de descarga eléctrica o incendio.

INFORMACIÓN DE SEGURIDAD

- Desenchufe el cargador del tomacorriente antes de realizar cualquier mantenimiento o limpieza, para así disminuir el riesgo de descarga eléctrica.
- Desconecte el cargador del suministro de electricidad cuando no esté en uso. Esto reducirá el riesgo de una descarga eléctrica o daño del cargador en caso de que caigan artículos de metal dentro de la abertura. También ayudará a evitar daños al cargador durante una sobrecarga de alimentación.
- Riesgo de descarga eléctrica. No toque la parte no aislada de la conexión de salida o del terminal de la batería no aislado.
- Guarde estas instrucciones. Consúltelas a diario y utilícelas para instruir a otras personas que puedan utilizar esta herramienta. Si presta la herramienta a alguien más, préstele también estas instrucciones para prevenir el mal uso del producto y posibles lesiones.

PELIGRO

- Las personas con dispositivos electrónicos, como marcapasos, deben consultar a su médico antes de usar este producto. Si el equipo eléctrico funciona cerca de un marcapasos cardíaco se pueden generar interferencias o que el marcapasos falle.

INFORMACIÓN DE SEGURIDAD

Declaración de FCC

- Este dispositivo cumple con la sección 15 de las normas de la FCC. El funcionamiento está sujeto a las siguientes dos condiciones:
 - Este dispositivo no debe causar interferencia perjudicial.
 - Este dispositivo deberá aceptar cualquier interferencia recibida, entre otras la interferencia que pudiese causar la operación no deseada.
- Los cambios o modificaciones que no estén expresamente aprobados por la parte responsable del cumplimiento podrían anular la autorización del usuario para utilizar el equipo.

AVISO: Se ha probado y verificado que este equipo cumple con los límites para un dispositivo digital clase B, conforme a la sección 15 de las reglas de la FCC. Estos límites se han diseñado para proporcionar una protección razonable contra la interferencia perjudicial en una instalación residencial. Este equipo genera, utiliza y puede irradiar energía de radiofrecuencia y, si no se instala y usa de acuerdo con las instrucciones, puede causar interferencia perjudicial a las comunicaciones de radio. Sin embargo, no se garantiza que no se producirán interferencias en una instalación en especial. Si este equipo genera una interferencia perjudicial para la recepción de radio o televisión, lo que se puede determinar al apagar y encender el equipo, se recomienda al usuario que intente corregir la interferencia con una o más de las siguientes medidas: Reoriente o reubique la antena de recepción. Aumente la separación entre el equipo y el receptor. Conecte el equipo a un tomacorriente de un circuito distinto al que usa el receptor. Solicite ayuda al concesionario o a un técnico con experiencia en radio/TV.

PREPARACIÓN

Información acerca del cargador de batería

Antes de intentar usar el cargador de la batería, familiarícese con todas sus características de operación y requisitos de seguridad.

ADVERTENCIA

- No permita que la familiaridad con el cargador de batería disminuya su nivel de responsabilidad frente al producto. Recuerde que un momento de descuido es suficiente para causar lesiones graves. Antes de intentar utilizar cualquier herramienta, asegúrese de familiarizarse con todas las funciones de operación e instrucciones de seguridad.
- No intente modificar esta herramienta ni crear accesorios que no sean los recomendados para esta. Cualquier alteración o modificación se la considera como un mal uso del producto y podría causar una condición peligrosa que podría conllevar lesiones personales graves.

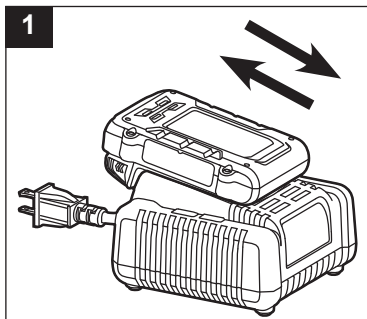
INSTRUCCIONES DE FUNCIONAMIENTO

1. Cómo cargar un paquete de baterías

AVISO: Los paquetes de baterías se envían con una carga baja para evitar posibles problemas. Antes de usarlo por primera vez, debe cargar el paquete de baterías por completo. Consulte el manual de funcionamiento del paquete de baterías para determinar los tiempos de carga.

- Cargue el paquete de baterías con el cargador correcto.
- Conecte el cargador a un suministro de electricidad. Los indicadores de carga de bombilla LED rojo y verde (B y C) se iluminan por aproximadamente un segundo y luego se apagan.

- Conecte el paquete de baterías al cargador al alinear las varillas elevadas del paquete de baterías con la ranura en el cargador. Deslice el paquete de baterías sobre el cargador (Fig. 1).



- El cargador se comunicará con el circuito del paquete de baterías para evaluar la condición de este último. Vea la sección Exhibidor de cargador.
- La bombilla LED verde destellará de forma continua durante el proceso de carga normal.
- Cuando termine de cargar, la bombilla LED verde en el cargador se encenderá y las bombillas LED indicadoras de alimentación en el paquete de baterías se apagarán. Las bombillas LED indicadoras de alimentación se iluminarán cuando presione el botón indicador de alimentación mientras el paquete de baterías no esté en el cargador.

INSTRUCCIONES DE FUNCIONAMIENTO



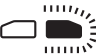

AVISO:

- El paquete de baterías se cargará por completo, pero no se sobrecargará si se deja en el cargador.
- El cargador se debe entibiar con varios ciclos continuos de carga. Esto es parte del funcionamiento normal del cargador. Siempre cargue el paquete de baterías en un área bien ventilada.

Baterías de litio ión

No es necesario descargar el paquete de baterías de litio ión antes de volver a cargarlo. Retire el paquete de baterías de la herramienta y cárguelo nuevamente según sea necesario.

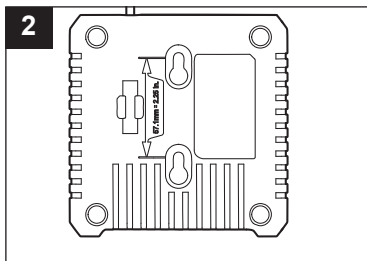
2. Exhibidor del cargador

INDICADOR	PAQUETE DE BATERÍAS	BOMBILLA LED VERDE	BOMBILLA LED ROJA	ACCIÓN
	Carga normal	Parpadeando	Apagada	Cargando
	Completamente cargada	Encendida	Apagada	Carga completa
	Defectuoso	Apagada	Parpadeando	El paquete de baterías o el cargador tiene fallas
	Batería fría/ caliente	Apagada	Encendida	Batería fuera del rango de temperatura

INSTRUCCIONES DE FUNCIONAMIENTO

3. Orificios para instalación en pared

El cargador cuenta con orificios para colgar que facilitan el almacenaje. Coloque tornillos en la pared a una distancia de 5,71 cm entre ellos. Use tornillos lo suficientemente fuertes para que sostengan el peso combinado del cargador y el paquete de baterías.



CUIDADO Y MANTENIMIENTO

⚠ Todos los mantenimientos se deben realizar únicamente por una organización de servicio calificada.

Limpieza

⚠ Antes de limpiar o realizar cualquier mantenimiento, desconecte el cargador de batería de la fuente de alimentación. Para un uso seguro y adecuado, siempre mantenga limpios el cargador y sus ranuras de ventilación.

Siempre use un paño suave y seco para limpiar el cargador de batería; nunca use detergente ni alcohol.

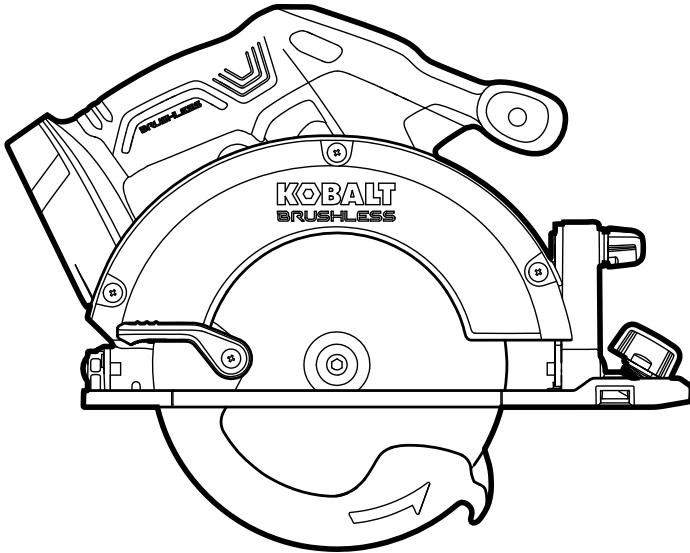
3 AÑOS DE GARANTÍA SIN PROBLEMAS

El cargador está garantizado contra defectos de fabricación en materiales y mano de obra por 3 años desde la fecha de compra para el comprador original. Esta garantía no cubre daños por el abuso, desgaste normal, mantenimiento inadecuado, negligencia, reparación/alteración no autorizada o piezas fungibles y accesorios que se esperan que sean inutilizables después de un período de uso razonable.

Si cree que este producto cumple con la garantía mencionada arriba, devuelva el producto al lugar donde lo compró con un comprobante de compra válido y el producto defectuoso se reparará o reemplazará sin cargo. Esta garantía le otorga derechos legales específicos, pero también podría tener otros derechos que varían según el estado.

Impreso en China

KOBALT™



ITEM #0672830/0864453/0877730

6-1/2 in Brushless Circular Saw

MODEL #KCS 6524B-03

Español p. 19

ATTACH YOUR RECEIPT HERE

Serial Number _____ Purchase Date _____



Questions, problems, missing parts? Before returning to your retailer, call our customer service department at 1-888-3KOBALT (1-888-356-2258), 8 a.m. - 8 p.m., EST, Monday - Friday.

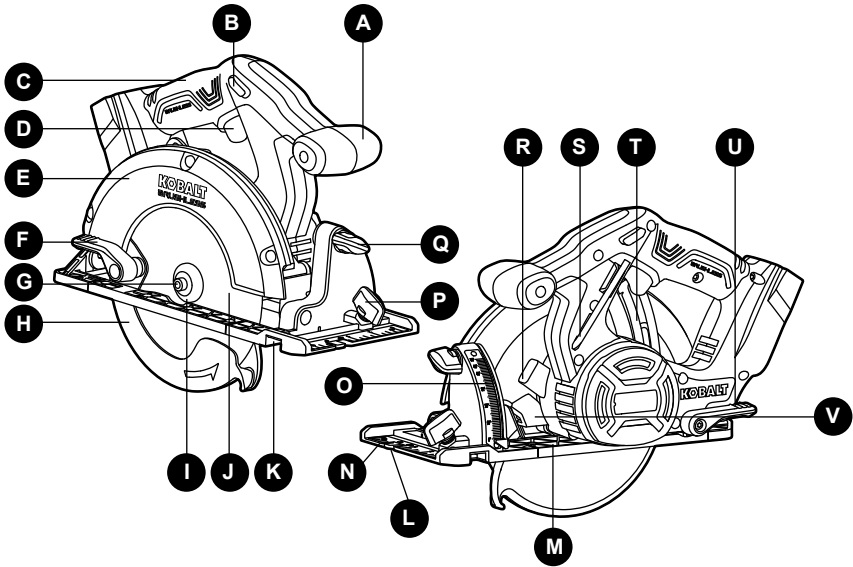
TABLE OF CONTENTS

Product Specifications.....	2
Package Contents.....	3
Safety Information.....	4
Preparation.....	9
Operating Instructions.....	10
Care and Maintenance.....	17
Troubleshooting.....	18
Warranty.....	18

PRODUCT SPECIFICATIONS

COMPONENT	SPECIFICATION
Rated voltage	24 V d.c.
No-load speed	5,400 RPM
Saw blade size	6-1/2 in.
Cutting angle	0° - 50°
Depth of cut at 90°	2-7/16 in.
Depth of cut at 45°	1-11/16 in.

PACKAGE CONTENTS



PART	DESCRIPTION
A	Auxiliary handle
B	Lock-off button
C	Main handle
D	Trigger switch
E	Upper blade guard
F	Blade-guard lever
G	Blade bolt
H	Lower blade guard
I	Blade outer flange
J	Blade
K	Edge-guide slot

PART	DESCRIPTION
L	45° blade-guide notch
M	Base shoe
N	90° blade-guide notch
O	Bevel scale
P	Edge-guide locking knob
Q	Bevel-locking knob
R	Spindle-lock button
S	Blade wrench
T	Depth scale
U	Depth-locking lever
V	LED worklight

! WARNING

- Remove the tool from the package and examine it carefully. Do not discard the carton or any packaging material until all parts have been examined.
- If any part of the tool is missing or damaged, do not attach the battery pack or use the tool until the part has been repaired or replaced. Failure to heed this warning could result in serious injury.



SAFETY INFORMATION

Please read and understand this entire manual before attempting to assemble or operate this product. If you have any questions regarding the product, please call customer service at 1-888-3KOBALT, 8 a.m. - 8 p.m., EST, Monday - Friday.



WARNING

- The operation of any power tool can result in foreign objects being thrown into your eyes, which can result in severe eye damage. Before beginning power-tool operation, always wear safety goggles or safety glasses with side shields and a full-face shield, when needed. It is recommended to use a wide vision safety mask over eyeglasses or standard safety glasses with shields. Always use eye protection marked to comply with ANSI Z87.1.
- Some dust created by power sanding, sawing, grinding, drilling, and other construction activities contains chemicals known to the state of California to cause cancer, birth defects, or other reproductive harm. Some examples of these chemicals are:
 - Lead from lead-based paints
 - Crystalline silica from bricks, cement, and other masonry products
 - Arsenic and chromium from chemically-treated lumber
- Your risk from these exposures varies, depending upon how often you do this type of work. To reduce your exposure to these chemicals:
 - Work in a well-ventilated area.
 - Work with approved safety equipment, such as dust masks that are specially designed to filter out microscopic particles.
 - Avoid prolonged contact with dust from power sanding, sawing, grinding, drilling, and other construction activities. Wear protective clothing and wash exposed areas with soap and water. Allowing dust to get into your mouth or eyes or to lie on the skin may promote absorption of harmful chemicals.

Know the Tool

To operate this tool, carefully read this manual and all labels affixed to the tool before using it. Keep this manual available for future reference.



Important

This tool should be serviced only by a qualified service technician.

Read All Instructions Thoroughly

SAFETY INFORMATION

Some of the following symbols may be used on this tool. Please study them and their meaning. Proper interpretation of these symbols will allow you to operate the tool better and more safely.

SYMBOL	DEFINITION	SYMBOL	DEFINITION
V	Volts	n_0	No-load Speed
A	Amps	/min	Revolutions or Strokes per Minute
Hz	Hertz		Direct Current
W	Watts		Alternating Current

General Power Tool Safety Warnings

WARNING

- **Read all safety warnings and all instructions.** Failure to follow the warnings and instructions may result in electric shock, fire and/or serious injury.

Save all warnings and instructions for future reference

The term “power tool” in the warnings refers to your mains-operated (corded) power tool or battery-operated (cordless) power tool.

Work Area Safety

- **Keep work area clean and well lit.** Cluttered or dark areas invite accidents.
- **Do not operate power tools in explosive atmospheres, such as in the presence of flammable liquids, gases or dust.** Power tools create sparks, which may ignite the dust or fumes.
- **Keep children and bystanders away while operating a power tool.** Distractions can cause you to lose control.

Electrical Safety

- **Power tool plugs must match the outlet. Never modify the plug in any way. Do not use any adaptor plugs with earthed (grounded) power tools.** Unmodified plugs and matching outlets will reduce the risk of electric shock.
- **Avoid body contact with earthed or grounded surfaces such as pipes, radiators, ranges and refrigerators.** There is an increased risk of electric shock if your body is earthed or grounded.
- **Do not expose power tools to rain or wet conditions.** Water entering a power tool will increase the risk of electric shock.
- **Do not abuse the cord. Never use the cord for carrying, pulling or unplugging the power tool. Keep cord away from heat, oil, sharp edges or moving parts.** Damaged or entangled cords increase the risk of electric shock.

SAFETY INFORMATION

- **When operating a power tool outdoors, use an extension cord suitable for outdoor use.** Use of a cord suitable for outdoor use reduces the risk of electric shock.
- **If operating a power tool in a damp location is unavoidable, use a ground-fault circuit interrupter (GFCI) protected supply.** Use of a GFCI reduces the risk of electric shock.

Personal Safety

- **Stay alert, watch what you are doing and use common sense when operating a power tool. Do not use a power tool while you are tired or under the influence of drugs, alcohol or medication.** A moment of inattention while operating power tools may result in serious personal injury.
- **Use personal protective equipment. Always wear eye protection.** Protective equipment such as dust mask, non-skid safety shoes, hard hat, or hearing protection, used for appropriate conditions, will reduce personal injuries.
- **Prevent unintentional starting. Ensure the switch is in the off-position before connecting to power source and/or battery pack, picking up or carrying the tool.** Carrying power tools with your finger on the switch or energizing power tools that have the switch on invites accidents.
- **Remove any adjusting key or wrench before turning the power tool on.** A wrench or a key left attached to a rotating part of the power tool may result in personal injury.
- **Do not overreach. Keep proper footing and balance at all times.** This enables better control of the power tool in unexpected situations.
- **Dress properly. Do not wear loose clothing or jewelry. Keep your hair, clothing and gloves away from moving parts.** Loose clothes, jewelry or long hair can be caught in moving parts.
- **If devices are provided for the connection of dust extraction and collection facilities, ensure that these are connected and properly used.** Use of these devices can reduce dust-related hazards.

Power Tool Use and Care

- **Do not force the power tool. Use the correct power tool for your application.** The correct power tool will do the job better and safer at the rate for which it was designed.
- **Do not use the power tool if the switch does not turn it on and off.** Any power tool that cannot be controlled with the switch is dangerous and must be repaired.
- **Disconnect the plug from the power source and/or the battery pack from the power tool before making any adjustments, changing accessories, or storing power tools.** Such preventive safety measures reduce the risk of starting the power tool accidentally.
- **Store idle power tools out of the reach of children and do not allow persons unfamiliar with the power tool or these instructions to operate the power tool.** Power tools are dangerous in the hands of untrained users.
- **Maintain power tools. Check for misalignment or binding of moving parts, breakage of parts and any other condition that may affect the power tool's operation. If damaged, have the power tool repaired before use.** Many accidents are caused by poorly maintained power tools.
- **Keep cutting tools sharp and clean.** Properly maintained cutting tools with sharp cutting edges are less likely to bind and are easier to control.
- **Use the power tool, accessories, tool bits, etc., in accordance with these instructions, taking into account the working conditions and the work to be performed.** Use of the power tool for operations different from those intended could result in a hazardous situation.



SAFETY INFORMATION

Battery Tool Use and Care

- **Recharge only with the charger specified by the manufacturer.** A charger that is suitable for one type of battery pack may create a risk of fire when used with another battery pack.
- **Use power tools only with specifically designated battery packs.** Use of any other battery packs may create a risk of injury and fire.
- **When battery pack is not in use, keep it away from other metal objects like paper clips, coins, keys, nails, screws or other small metal objects that can make a connection from one terminal to another.** Shorting the battery terminals together may cause burns or a fire.
- **Under abusive conditions, liquid may be ejected from the battery; avoid contact. If contact accidentally occurs, flush with water. If liquid contacts eyes, additionally seek medical help.** Liquid ejected from the battery may cause irritation or burns.

Service

- **Have your power tool serviced by a qualified repair person using only identical replacement parts.** This will ensure that the safety of the power tool is maintained.

Specific Safety Warnings for Circular Saws

Safety Instructions for All Saws



DANGER

- **Keep hands away from cutting area and the blade. Keep your second hand on the auxiliary handle or motor housing.** If both hands are holding the saw, they cannot be cut by the blade.
- **Do not reach underneath the workpiece.** The guard cannot protect you from the blade below the workpiece.
- **Adjust the cutting depth to the thickness of the workpiece.** Less than a full tooth of the blade teeth should be visible below the workpiece.
- **Never hold the piece being cut in your hands or across your leg. Secure the workpiece to a stable platform.** It is important to support the work properly to minimize body exposure, blade binding, and loss of control.
- **Hold the power tool by insulated gripping surfaces only, when performing an operation where the cutting tool may contact hidden wiring.** Contact with a "live" wire will also make exposed metal parts of the power tool "live" and could give the operator an electric shock.
- **When ripping, always use a rip fence or straight-edge guide.** This improves the accuracy of cut and reduces the chance of blade binding.
- **Always use blades with arbor holes of the correct size and sharp (diamond versus round).** Blades that do not match the mounting hardware of the saw will run eccentrically, causing loss of control.
- **Never use damaged or incorrect blade washers or bolt.** The blade washers and bolt were specially designed for your saw for optimum performance and safe operation.

Further Safety Instructions for All Saws

SAFETY INFORMATION

Cause and operator prevention of kickback:

- Kickback is a sudden reaction to a pinched, bound or misaligned saw blade, causing an uncontrolled saw to lift up and out of the workpiece toward the operator.
- When the blade is pinched or bound tightly by the kerf closing down, the blade stalls and the motor reaction drives the unit rapidly back toward the operator.
- If the blade becomes twisted or misaligned in the cut, the teeth at the back edge of the blade can dig into the upper surface of the wood, causing the blade to climb out of the kerf and jump back toward the operator.

Kickback is the result of saw misuse and/or incorrect operating procedures or conditions and can be avoided by taking proper precautions, as given below.

- **Maintain a firm grip with both hands on the saw and position your arms to resist kickback forces. Position your body to either side of the blade, but not in line with the blade.** Kickback could cause the saw to jump backward, but kickback forces can be controlled by the operator if proper precautions are taken.
- **When blade is binding, or when interrupting a cut for any reason, release the trigger and hold the saw motionless in the material until the blade comes to a complete stop. Never attempt to remove the saw from the work or pull the saw backward while the blade is in motion or kickback may occur.** Investigate and take corrective actions to eliminate the cause of blade binding.
- **When restarting a saw in the workpiece, center the saw blade in the kerf and check that the saw teeth are not engaged in the material.** If the saw blade is binding, it may walk up or kickback from the workpiece as the saw is restarted.
- **Support larger panels to minimize the risk of blade pinching and kickback.** Larger panels tend to sag under their own weight. Supports must be placed under the panel on both sides: near the line of cut and near the edge of the panel.
- **Do not use dull or damaged blades.** Dull or improperly set blades produce narrow kerf, causing excessive friction, blade binding and kickback.
- **Blade-depth and bevel-adjusting locking levers must be tight and secure before making a cut.** If the blade adjustment shifts while cutting, it may cause binding and kickback.
- **Use extra caution when making a “plunge cut” into existing walls or other blind areas.** The protruding blade may contact hidden objects that can cause kickback.

Safety Instructions for Lower Blade Guard

- **Check the lower guard for proper closing before each use. Do not operate the saw if the lower guard does not move freely and close instantly. Never clamp or tie the lower guard into the open position.** If the saw is accidentally dropped, the lower guard may be bent. Raise the lower guard with the retracting handle and make sure that it moves freely and does not touch the blade or any other part, in all angles and all depths of cut.
- **Check the operation of the lower guard spring. If the guard and the spring are not operating properly, they must be serviced before use.** A lower guard may operate sluggishly due to damaged parts, gummy deposits, or a build-up of debris.
- **The lower guard should be retracted manually only for special cuts, such as “plunge cuts” and “compound cuts.” Raise the lower guard with the retracting handle and, as soon as blade enters the material, the lower guard must be released.** For all other sawing, the lower guard should be allowed to operate automatically.
- **Always observe that the lower guard is covering the blade before placing the saw down on the bench or floor.** An unprotected, coasting blade will cause the saw to walk backwards, cutting whatever is in its path. Be aware of the time it takes for the blade to stop after switch is released.



SAFETY INFORMATION

Additional Safety Warnings for Circular Saws

- a. Always wear a dust mask
- b. Only use recommended saw blades
- c. Always wear hearing protection
- d. Do not use with any abrasive wheels

PREPARATION

Know Your Circular Saw

Before attempting to use the circular saw, familiarize yourself with all of its operating features and safety requirements.



WARNING

- Do not allow familiarity with the circular saw to cause carelessness. Remember that one careless moment is enough to cause severe injury. Before attempting to use any tool, be sure to become familiar with all of the operating features and safety instructions.
- Do not attempt to modify this tool or create accessories not recommended for use with this tool. Any such alteration or modification is misuse and could result in a hazardous condition leading to possible serious personal injury.

OPERATING INSTRUCTIONS

1. Battery Pack

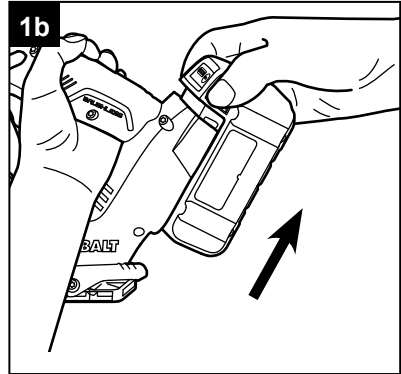
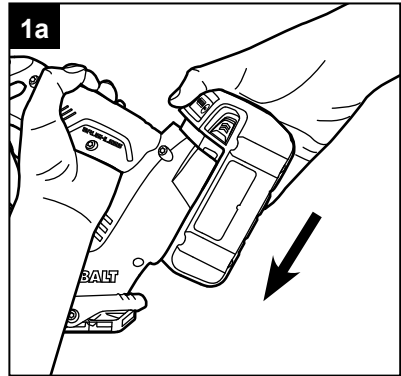
To Attach Battery Pack

- Ensure that the trigger switch (D) is in the "OFF" position.
- Align the raised portion on the battery pack with the grooves on the bottom of the tool, then slide the battery pack onto the saw as shown.
- Make sure that the latches on the battery pack snap into place and the battery pack is secured to the tool before beginning operation.

NOTICE: When placing the battery pack on the tool, be sure that the raised rib on battery pack aligns with the groove on the tool and the latches snap into place properly. Improper assembly of the battery pack can cause damage to internal components.

To Detach Battery Pack

- Ensure that the trigger switch (D) is in the "OFF" position.
- Press the battery-release buttons to release the battery pack.
- Pull forward on the battery pack to remove it from the tool.



OPERATING INSTRUCTIONS

2. Trigger Switch

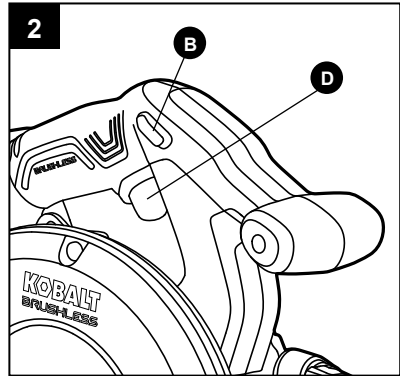
- a. To turn the saw ON, press the lock-off button (B), then squeeze the trigger switch (D).

⚠ WARNING

- The blade should reach full speed before it comes into contact with the workpiece.
- b. To turn the saw OFF, release the trigger switch and allow the blade to come to a complete stop.

Electric Brake

The circular saw is equipped with an electric brake. When the trigger switch is released, the electric brake engages automatically to quickly stop the rotation.



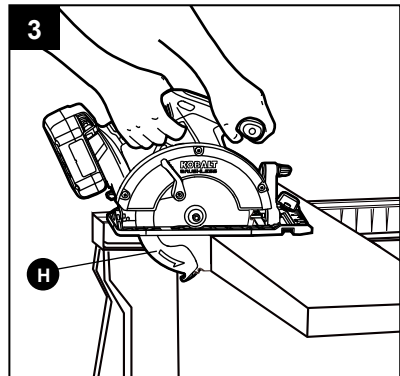
3. Blade Guard System

The lower blade guard (H) on the circular saw is there for the operator's protection and safety. Do not alter it for any reason.

If the lower blade guard becomes damaged or if the blade begins to run slowly or sluggishly, DO NOT operate the saw until the damaged part has been repaired or replaced. ALWAYS leave the guard in its correct operating position when using the saw.

⚠ DANGER

- When sawing through a workpiece, the lower blade guard does not cover the blade on the underside of the workpiece. ALWAYS keep hands and body away from the cutting area. Serious injury will result if any part of the body comes into contact with the moving blade.



⚠ WARNING

- To avoid possible serious injury, never use the saw when the lower blade guard is not operating correctly. Check the lower blade guard for correct operation before each use. It should move freely and instantly return to the closed position. If the saw is dropped, check the lower blade guard and bumper for damage at all depth settings before using it.

If the lower blade guard does not snap closed at any time, take it to a qualified service technician for repair.

OPERATING INSTRUCTIONS

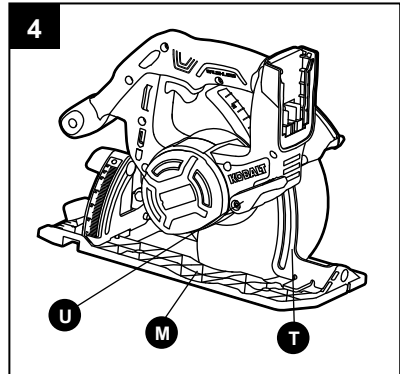
4. Adjusting the Cutting Depth

! WARNING

- Always maintain the correct blade-depth setting.

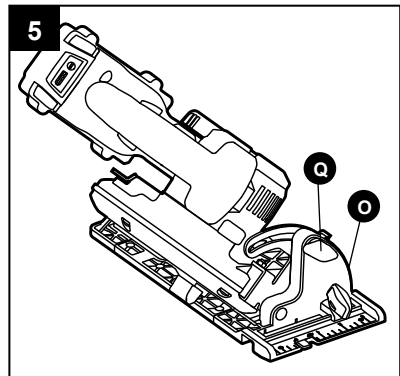
The correct blade-depth setting for all cuts should not exceed the thickness of the material being cut by more than 1/4 in. (6.5 mm). Greater blade depth will increase the chance of kickback and cause the cut to be rough.

- Remove the battery pack from the saw.
- Raise the depth-locking lever (U) to release it.
- Hold the base shoe (M) against the workpiece and raise or lower the saw until the indicator mark on the saw aligns with the desired depth on the depth scale (T).
- Lower the depth-locking lever to lock it into position.



5. Adjusting the Cutting Angle

- Remove the battery pack from the saw.
- Loosen the bevel-locking knob (Q), located on the 0°-50° bevel scale (O).
- Tilt the body of the saw until the indicator mark on the saw aligns with the required angle on the bevel-angle scale.
- Tighten the bevel-locking knob to secure the saw.

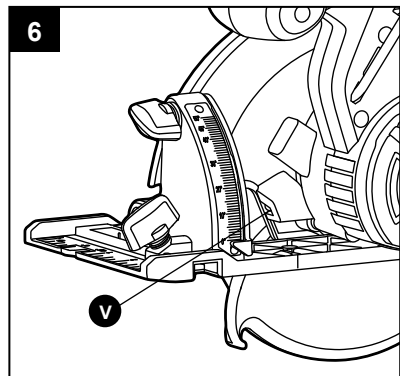


6. LED worklight

The circular saw is equipped with an LED worklight (V) that will illuminate when the trigger switch is depressed. This provides additional light on the surface of the workpiece for operation in lower-light areas.

The LED worklight will turn off after the trigger switch is released.

- The LED worklight will blink rapidly if the tool has stopped working in order to protect internal circuits; please wait for the tool to cool down, at which point it can be started again.
- The LED worklight will blink slowly to indicate that the battery charge is very low.



OPERATING INSTRUCTIONS

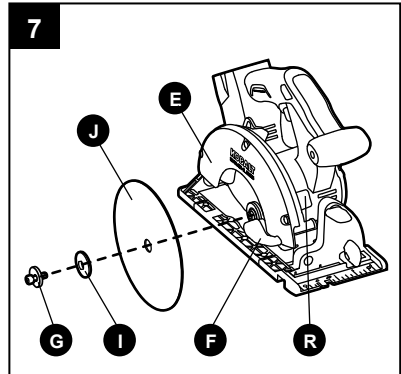
7. Saw Blades

The best saw blades will not cut efficiently if they are not kept clean, sharp, and properly set. Using a dull blade will place a heavy load on the saw and increase the danger of kickback. Keep extra blades on hand so sharp blades are always available.

Gum and resin on blades will slow the saw down. Follow the instructions for removing a saw blade, then use gum and resin remover, hot water, or kerosene to remove the accumulations.

⚠ WARNING

- Do not use gasoline to clean the blade.



Installing a Saw Blade

- a. Remove the battery pack from the saw.
- b. Depress and hold the spindle-lock button (R).
- c. Loosen the blade bolt (G) by turning it counterclockwise with the blade wrench (S) (included).
- d. Remove the blade bolt, washer and outer flange (I).

⚠ WARNING

- If the inner flange has been removed, replace it before placing the blade on the spindle. Failure to do so will prevent the blade from tightening properly and could result in serious personal injury.
- e. Use the blade-guard lever (F) to retract the lower blade guard (H) into the upper blade guard (E).
 - f. Fit the saw blade (J) inside the lower blade guard and onto the spindle. Verify that the saw teeth, the arrow on the saw blade and the blade-rotation indicator arrow on the blade guard are all pointing in the same direction.

NOTICE: The saw teeth should point upward at the front of the saw.

- g. Replace the outer blade flange with the protuberant facing outward.
- h. Depress and hold the spindle-lock button, and replace the washer and blade bolt.
- i. Tighten the blade bolt securely by turning it clockwise with the blade wrench.

NOTICE: Never use a blade that is too thick to allow the outer blade flange to engage with the flat section of the spindle.

⚠ WARNING

- To prevent personal injury, always remove the battery pack before installing or removing the saw blade.

OPERATING INSTRUCTIONS

Removing the Saw Blade

- Remove the battery pack from the saw.
- Depress and hold the spindle-lock button (R).
- Loosen the blade bolt (G) by turning it counterclockwise with the blade wrench (S).
- Remove the blade bolt and outer blade flange (I).
- Lift the lower blade guard (H) and then remove the blade (J).

8. Cutting With the Circular Saw

Refer to the figures in this section to learn the correct and incorrect ways of handling the saw.

⚠ WARNING

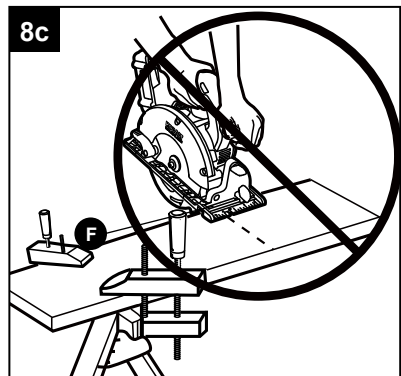
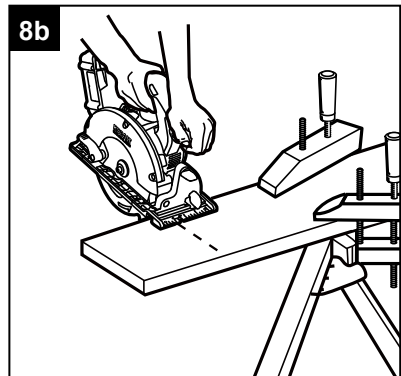
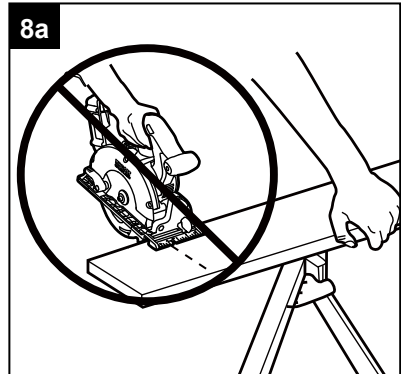
- To make sawing easier and safer, always maintain proper control of the saw. Loss of control could cause an accident resulting in serious injury.

⚠ DANGER

- When lifting the saw from the workpiece, the blade is exposed on the underside of the saw until the lower blade guard (H) closes. Make sure that the lower blade guard is closed before setting the saw down.

To make the safest and best possible cut, follow these helpful hints:

- Hold the saw firmly with both hands.
- Avoid placing your hand on the workpiece while making a cut (Fig. 8a).
- Support the workpiece so that the cut is always to the operator's side and not directly in line with the operator's body.
- Support the workpiece near the cut.
- Clamp the workpiece securely so that the workpiece will not move during the cut (Fig. 8b).
- Always place the saw on the portion of the workpiece that is supported and not on the "cut off" piece (Fig. 8c).
- Place the workpiece with the "good" side down.
- Draw a guideline along the desired cutting line before beginning the cut.



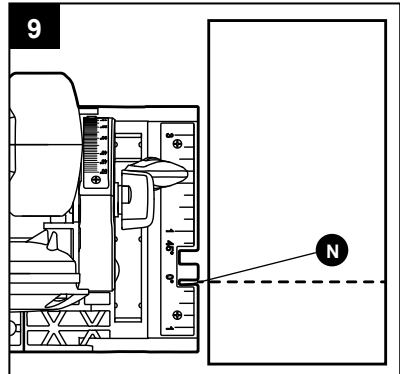
OPERATING INSTRUCTIONS

9. Cross-Cutting/Rip Cutting

When making a cross-cut or a rip cut, align the guideline with the 90° blade-guide notch (N) on the base shoe (T). The distance from the saw blade to the saw base is approximately 3-5/8 in. (9.2 cm) on the left side of the saw and 1-1/2 in. (3.7 cm) on the right side.

Blade thicknesses vary, so you should always make a trial cut in scrap material along a guideline to determine how much the guideline must be offset from the guide to produce an accurate cut.

NOTICE: Use a guide when making long or wide rip cuts.



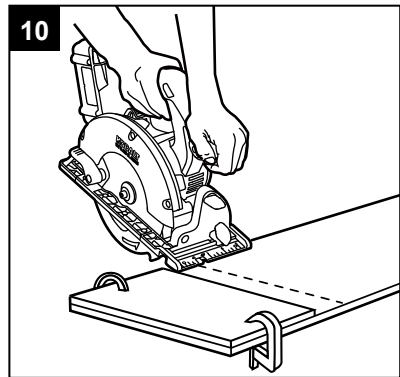
10. Rip Cutting Using a Straight Edge

- Secure the workpiece.
- Clamp a straight edge to the workpiece using C-clamps (not included).

NOTICE: Position the C-clamps so that they will not interfere with the saw housing during the cut.

- Press the lock-off button (B) and depress the trigger switch (D) to start the saw.
- Allow the blade (J) to reach full speed, then guide the saw into the workpiece and make the cut.
- Saw along the straight edge to achieve a straight rip cut.
- Release the trigger switch and allow the blade to come to a complete stop.
- Lift the saw from the workpiece.

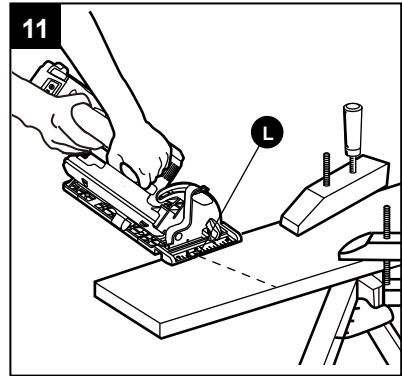
NOTICE: Do not bind the blade in the cut.



OPERATING INSTRUCTIONS

11. Bevel Cutting

- a. Remove the battery pack.
- b. Adjust the angle of cut to any desired setting between 0° and 50° . Securely tighten the bevel-locking knob (Q).
- c. Replace the battery pack.
- d. Align the cutting line with the 45° blade-guide notch (L) on the base shoe (M) when making 45° bevel cuts.
- e. Make a trial cut in scrap material along a guideline to determine the amount to offset the guideline on the cutting material.



! WARNING

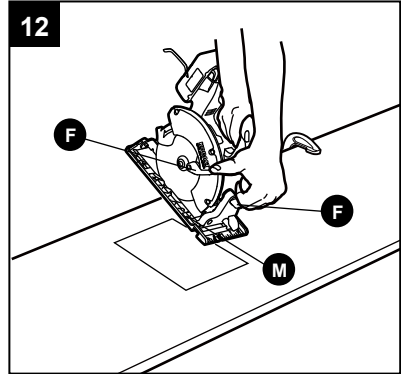
- Attempting a bevel cut without having the bevel-locking knob securely locked in place can result in serious injury.
- f. Hold the saw firmly with both hands, as shown.
 - g. Rest the front edge of the base shoe on the workpiece without touching the blade to the workpiece.
 - h. Start the saw and allow the blade to reach full speed.
 - i. Guide the saw into the workpiece and make the cut.
 - j. Release the trigger switch and allow the blade to come to a complete stop.
 - k. Lift the saw from the workpiece.

OPERATING INSTRUCTIONS

12. Pocket Cutting

! WARNING

- Always adjust the bevel setting to 0° before making a pocket cut. Attempting a pocket cut at any other setting can result in loss of control of the saw and possible serious injury.
- a. Adjust the bevel setting to 0° and tighten the bevel-locking knob (Q).
 - b. Set the blade to the correct blade cutting depth.
 - c. Swing the lower blade guard (H) up using the blade-guard lever (F).
 - d. Hold the lower blade guard in place with the blade-guard lever.
 - e. Rest the front of the base shoe (M) against the workpiece, with the rear of it raised so that the blade (J) does not touch the workpiece.
 - f. Press the lock-off button (B) and depress the trigger switch (D) to start the saw.
 - g. Allow the blade to reach full speed, then guide the saw into the workpiece and make the cut.
 - h. Release the trigger switch and allow the blade to come to a complete stop.
 - i. Lift the saw from the workpiece.



! WARNING

- Always cut in a forward direction when pocket cutting. Cutting in the reverse direction could cause the saw to climb up on the workpiece and kick back toward the operator.
- As the blade starts cutting the material, release the blade-guard lever immediately. When the foot of the guard rests flat on the surface being cut, proceed cutting in a forward direction to the end of the cut.
- Never tie the lower blade guard in a raised position. Leaving the blade exposed could lead to serious injury.

CARE AND MAINTENANCE

- !** All maintenance should only be carried out by a qualified service technician.

Cleaning

Before cleaning or performing any maintenance, remove the battery pack from the circular saw. For safe and proper operation, always keep the tool and its ventilation slots clean.

Always use only a soft, dry cloth to clean your circular saw; never use detergent or alcohol.

TROUBLESHOOTING

WARNING

- Turn the switch to the “OFF” position and remove the battery pack from the circular saw before performing troubleshooting procedures.

PROBLEM	POSSIBLE CAUSE	CORRECTIVE ACTION
The circular saw does not work.	Battery is depleted.	Charge the battery.
Blade binds, jams, or burns the wood.	1. Improper operation. 2. Dull blade. 3. Improper blade.	1. See “OPERATING INSTRUCTIONS” section. 2. Replace or sharpen blade. 3. Replace blade.
Saw vibrates or shakes.	1. Improper blade. 2. Improper operation of installing blade.	1. Replace blade. 2. Remove the blade and reinstall it, ensuring no part was missed.
The LED worklight blinks rapidly.	The tool has stopped working to protect internal circuits.	Release the trigger switch, wait for the tool to cool down, then and start the tool again.
The LED worklight blinks slowly.	The battery charge is very low.	Charge the battery.

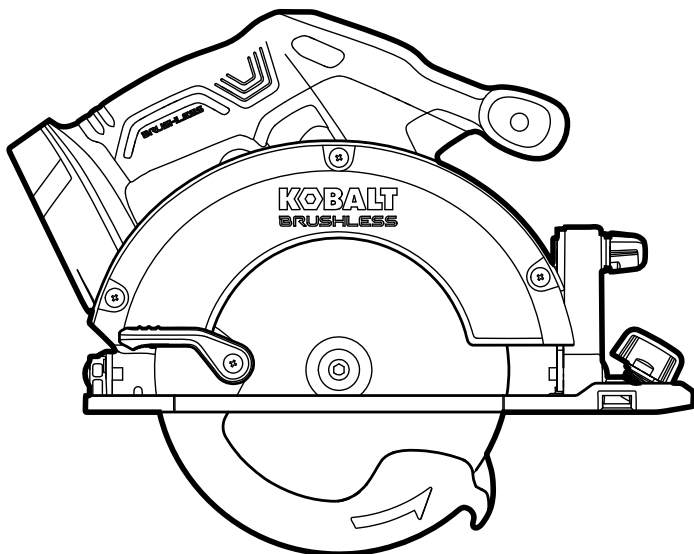
WARRANTY

For 5 years from the date of purchase, the circular saw is warranted for the original purchaser to be free from defects in material and workmanship. This guarantee does not cover damage due to abuse, normal wear, improper maintenance, neglect, unauthorized repair/alteration, or expendable parts and accessories expected to become unusable after a reasonable period of use.

If you think your product meets the above guarantee criteria, please return it to the place of purchase with valid proof of purchase and the defective product will be repaired or replaced at no charge. This guarantee gives you specific legal rights, and you may also have other rights that vary from state to state.

Printed in China

KOBALT™



ARTÍCULO #0672830/0864453/0877730

SIERRA CIRCULAR SIN CEPILLO DE 6-1/2 PULG.

MODELO #KCS 6524B-03

ADJUNTE SU RECIBO AQUÍ

Número de serie _____ Fecha de compra _____



¿Preguntas, problemas, piezas faltantes? Antes de volver a la tienda, llame a nuestro departamento de servicio al cliente al 1-888-3KOBALT (1-888-356-2258), de lunes a viernes de 8 a. m. a 8 p. m., hora estándar del Este.

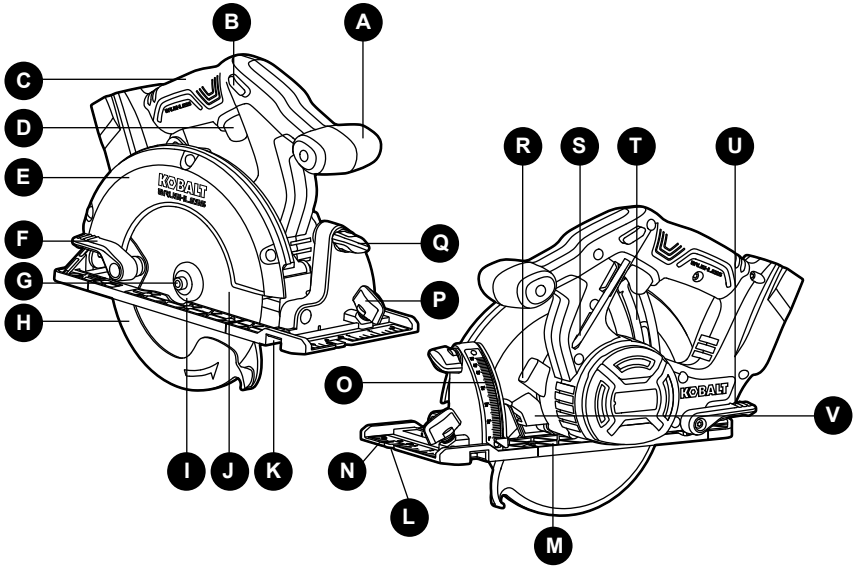
ÍNDICE

Especificaciones del producto.....	20
Contenido del paquete.....	21
Información de seguridad.....	22
Preparación.....	28
Instrucciones de funcionamiento.....	28
Cuidado y mantenimiento.....	35
Solución de problemas.....	36
Garantía.....	36

ESPECIFICACIONES DEL PRODUCTO

COMPONENTE	ESPECIFICACIONES
Rango de voltaje	24 V CC
Velocidad sin carga	5,400 RPM
Tamaño de la hoja de sierra	16,51 cm
Ángulo de corte	0° - 50°
Profundidad del corte a 90°	6,19 cm
Profundidad del corte a 45°	4,28 cm

CONTENIDO DEL PAQUETE



PIEZAS	DESCRIPCIÓN
A	Manija auxiliar
B	Botón de bloqueo/apagado
C	Manija principal
D	Interruptor de gatillo
E	Protección de hoja superior
F	Palanca de protección de hoja
G	Perno de la hoja
H	Protección de hoja inferior
I	Brida de hoja externa
J	Hoja
K	Ranura guía del borde

PIEZAS	DESCRIPCIÓN
L	Ranura guía de la hoja en 45°
M	Listoncillo de base
N	Ranura guía de la hoja en 90°
O	Escala de biselado
P	Perilla de bloqueo de la guía del borde
Q	Perilla de bloqueo de biselado
R	Botón de bloqueo del husillo
S	Llave para hoja
T	Escala de profundidad de corte
U	Palanca de bloqueo de profundidad
V	Luz de trabajo con bombilla LED

ADVERTENCIA

- Retire la herramienta del paquete y examínela con cuidado. No deseche la caja ni ningún material de embalaje hasta después de examinar todas las piezas.
- Si falta alguna pieza de la herramienta o si alguna pieza está dañada, no coloque el paquete de baterías ni use la herramienta hasta reparar o reemplazar la pieza. El incumplimiento de esta advertencia podría provocar lesiones graves.

INFORMACIÓN DE SEGURIDAD

Lea y comprenda por completo este manual antes de intentar ensamblar u operar este producto. Si tiene preguntas relacionadas con el producto, llame al Departamento de Servicio al Cliente al 1-888-3KOBALT, de lunes a viernes de 8 a.m. a 8 p.m., hora estándar del Este.

ADVERTENCIA

- Durante el funcionamiento de cualquier herramienta eléctrica, pueden entrar objetos extraños a los ojos y causar graves daños oculares. Use siempre gafas de seguridad con protecciones laterales y, cuando sea necesario, use una máscara que cubra todo el rostro antes de comenzar a operar una herramienta eléctrica. Recomendamos usar una máscara de seguridad de visión amplia sobre los lentes o las gafas de seguridad estándar con protección. Siempre use lentes de protección que cumplan con la norma ANSI Z87.1.
- Parte del polvo causado por el lijado eléctrico, el serruchado, la trituración, el taladro y otras actividades de construcción contiene sustancias químicas que, según el estado de California, causan cáncer, defectos congénitos u otros daños reproductivos. Algunos ejemplos de estos químicos son los siguientes:
 - Plomo de pinturas a base de plomo.
 - Sílice cristalina de ladrillo, cemento y otros productos de mampostería.
 - Arsénico y cromo de madera tratada con sustancias químicas.
- El riesgo que corre debido a la exposición a estos químicos varía según la frecuencia con que realiza este tipo de trabajo. Para disminuir su exposición a estas sustancias químicas:
 - Trabaje en un área bien ventilada.
 - Trabaje con equipo de seguridad aprobado, como mascarillas antipolvo especialmente diseñadas para filtrar partículas microscópicas.
 - Evite estar en contacto prolongado con el polvo provocado por las lijas, sierras, trituradoras, taladros eléctricos y otras actividades de construcción. Use ropa protectora y lave todas las áreas expuestas del cuerpo con agua y jabón. Si permite que el polvo llegue a su boca, ojos o piel, puede fomentar la absorción de químicos dañinos.

Conozca la herramienta

Para operar esta herramienta, lea con atención este manual y todas las etiquetas de la herramienta antes de usarla. Conserve este manual para tenerlo como referencia futura.



Importante

Solo un técnico de servicio calificado puede reparar esta herramienta.

Lea por completo todas las instrucciones

INFORMACIÓN DE SEGURIDAD

Algunos de los siguientes símbolos pueden aparecer en esta herramienta. Obsérvelos y aprenda su significado. La interpretación correcta de estos símbolos le permitirá utilizar la herramienta de manera eficaz y segura.

SÍMBOLO	DEFINICIÓN	SÍMBOLO	DEFINICIÓN
V	Voltios	n_0	Velocidad sin carga
A	Amperios	/min	Revoluciones o pasadas por minuto
Hz	Hertz		Corriente continua
W	vatios		Corriente alterna

Advertencias de seguridad general en el manejo de herramientas eléctricas

ADVERTENCIA

- **Lea todas las advertencias de seguridad y todas las instrucciones.** El incumplimiento de las advertencias y de las instrucciones podría provocar descargas eléctricas, incendios o lesiones graves.

Guarde todas las advertencias e instrucciones para referencia futura

El término "herramienta eléctrica" que aparece en las advertencias se refiere a la herramienta eléctrica que se conecta a la línea principal (con cable) o a la herramienta eléctrica que funciona con batería (inalámbrica).

Seguridad en el área de trabajo

- **Mantenga el área de trabajo limpia y bien iluminada.** Las áreas desordenadas u oscuras aumentan las posibilidades de accidentes.
- **No utilice herramientas eléctricas en atmósferas en las que exista riesgo de explosión, como por ejemplo en presencia de líquidos inflamables, gases o polvo.** Las herramientas eléctricas producen chispas que podrían encender el polvo o humo.
- **Mantenga a los niños y a las personas cercanas alejadas durante el funcionamiento de una herramienta eléctrica.** Las distracciones pueden hacerle perder el control.

Seguridad eléctrica

- **El enchufe de la herramienta eléctrica debe encajar en el tomacorriente. Nunca modifique el enchufe de ninguna manera. No utilice ningún enchufe adaptador con herramientas eléctricas con puesta a tierra.** Los enchufes sin modificaciones y que encajan en los tomacorrientes reducen el riesgo de descarga eléctrica.
- **Evite el contacto del cuerpo con superficies conectadas a tierra, como tuberías, radiadores, extractores o refrigeradores.** Existe un gran riesgo de descarga eléctrica si su cuerpo tiene conexión a tierra.

INFORMACIÓN DE SEGURIDAD

- **No exponga las herramientas eléctricas a la lluvia o a condiciones de humedad.** El ingreso de agua en una herramienta eléctrica aumentará el riesgo de descarga eléctrica.
- **No maltrate el cable. Nunca use el cable para transportar, jalar o desenchufar la herramienta eléctrica. Mantenga el cable alejado del calor, el aceite, los bordes filosos o las piezas en movimiento.** Los cables dañados o enredados aumentan el riesgo de descarga eléctrica.
- **Cuando opere una herramienta eléctrica en exteriores, utilice una extensión eléctrica para uso en exteriores.** La utilización de un cable apto para uso en exteriores reduce el riesgo de descarga eléctrica.
- **Si debe utilizar una herramienta eléctrica en un área húmeda, use un suministro protegido con un interruptor de circuito de falla de puesta a tierra (GFCI, por sus siglas en inglés).** El uso de un GFCI disminuye el riesgo de descarga eléctrica.

Seguridad personal

- **Manténgase alerta, preste atención a lo que hace y utilice el sentido común cuando use una herramienta eléctrica. No utilice una herramienta eléctrica si está cansado o bajo los efectos de drogas, alcohol o medicamentos.** Un momento de desatención mientras opera herramientas eléctricas puede provocar lesiones personales graves.
- **Use un equipo de protección personal. Utilice siempre lentes de protección.** Los equipos de protección, como una mascarilla antipolvo, zapatos de seguridad antideslizantes, casco protector o protección auditiva, utilizados para condiciones adecuadas, disminuyen las lesiones personales.
- **Evite un arranque accidental. Asegúrese de que el interruptor esté en la posición de apagado antes de conectar la fuente o la batería, levantar la herramienta o transportarla.** Transportar herramientas eléctricas con el dedo en el interruptor o enchufar herramientas eléctricas que tienen el interruptor encendido aumenta las posibilidades de accidentes.
- **Retire todas las llaves de ajuste o llaves inglesas antes de encender la herramienta eléctrica.** Si se deja una llave inglesa o una llave conectada a una pieza giratoria de la herramienta eléctrica, se pueden producir lesiones personales.
- **No se incline demasiado. Mantenga una posición y un equilibrio adecuados en todo momento.** Esto permite un mejor control de la herramienta eléctrica en situaciones inesperadas.
- **Use ropa adecuada. No use ropa holgada ni joyas. Mantenga el cabello, la ropa y los guantes lejos de las piezas en movimiento.** La ropa holgada, las joyas o el cabello largo pueden quedar atrapados en las piezas giratorias.
- **Si se proporcionan dispositivos para la conexión de equipos de extracción y recolección de polvo, asegúrese de que se conecten y se usen debidamente.** El uso de estos dispositivos puede disminuir los peligros relacionados con el polvo.

Uso y cuidado de las herramientas eléctricas

- **No fuerce la herramienta eléctrica. Utilice la herramienta eléctrica adecuada para su aplicación.** La herramienta eléctrica adecuada realizará un trabajo más seguro y de mejor calidad a la velocidad para la cual fue diseñada.
- **No utilice la herramienta eléctrica si el interruptor no la enciende o apaga.** Cualquier herramienta eléctrica que no pueda controlarse con el interruptor es peligrosa y debe repararse.
- **Desconecte el enchufe de la fuente de alimentación o la batería de la herramienta eléctrica antes de realizar cualquier ajuste, cambiar accesorios o almacenar herramientas eléctricas.** Este tipo de medidas de seguridad preventivas reduce el riesgo de arranques accidentales de la herramienta eléctrica.

INFORMACIÓN DE SEGURIDAD

- **Almacene las herramientas eléctricas que no estén en uso fuera del alcance de los niños y no permita que las personas que no estén familiarizadas con la herramienta o con estas instrucciones la operen.** Las herramientas eléctricas son peligrosas en manos de usuarios sin capacitación.
- **Realice mantenimiento a las herramientas eléctricas. Revise si hay desalineación o atascamiento de piezas móviles o si están rotas, así como cualquier otra condición que pueda afectar la operación de la herramienta eléctrica. Si se daña, haga reparar la herramienta eléctrica antes de usarla.** Muchos accidentes son producto del mantenimiento incorrecto de las herramientas eléctricas.
- **Mantenga las herramientas de corte afiladas y limpias.** Las herramientas de corte que se mantienen de forma adecuada, con sus bordes de corte afilados, tienen un riesgo menor de trabarse y son más fáciles de controlar.
- **Use la herramienta eléctrica, los accesorios, las brocas, etc., de acuerdo con estas instrucciones y según las condiciones de trabajo y el tipo de trabajo que desea realizar.** El uso de la herramienta eléctrica en operaciones distintas para las que se diseñó podría crear una situación de peligro.

Uso y cuidado de herramientas con batería

- **Recargue solo con el cargador especificado por el fabricante.** Un cargador adecuado para un tipo de paquete de baterías puede generar riesgo de incendio cuando se usa con otro paquete de baterías.
- **Use las herramientas eléctricas solo con paquetes de baterías designados específicamente.** El uso de cualquier otro paquete de baterías puede generar riesgo de lesión e incendio.
- **Cuando el paquete de baterías no está en uso, aléjelo de objetos metálicos, como sujetapapeles, monedas, llaves, clavos, tornillos u otros objetos metálicos pequeños que pudieran crear una conexión entre los terminales.** Es posible que una conexión entre los terminales produzca quemaduras o un incendio.
- **En condiciones de maltrato, es posible que salga líquido de la batería; evite el contacto. Si se produce un contacto por accidente, enjuague con agua. Si el líquido entra en contacto con los ojos, además de lo mencionado con anterioridad, debe buscar atención médica.** El líquido que sale de la batería puede provocar irritación o quemaduras.

Reparación

- **Permita que solo una persona capacitada repare la herramienta eléctrica, utilizando solo piezas de repuesto idénticas.** Esto mantendrá la seguridad de la herramienta eléctrica.

Advertencias específicas de seguridad para sierras circulares

Instrucciones de seguridad para todas las sierras

PELIGRO

- **Mantenga las manos alejadas del área de corte y de la hoja. Mantenga la otra mano en la manija auxiliar o la carcasa del motor.** Si ambas manos sujetan la sierra, no pueden sufrir cortes por parte de la hoja.
- **No se coloque bajo la pieza de trabajo.** La protección no puede protegerlo de la hoja debajo de la pieza de trabajo.

INFORMACIÓN DE SEGURIDAD

- **Ajuste la profundidad de corte de acuerdo con el grosor de la pieza de trabajo.** Se debe ver menos que un diente completo de la hoja bajo la pieza de trabajo.
- **Nunca sostenga la pieza que desea cortar con las manos o contra su pierna. Asegure la pieza de trabajo a una plataforma estable.** Es importante que apoye de forma adecuada la pieza para minimizar la exposición del cuerpo, el atascamiento de la hoja y la pérdida de control.
- **Sostenga las herramientas eléctricas por las superficies de sujeción aisladas al realizar una operación en la que la herramienta de corte pueda entrar en contacto con alambres ocultos o con su propio cable.** Sostenga las herramientas eléctricas por las superficies de sujeción aisladas al realizar una operación en la que la herramienta de corte pueda entrar en contacto con alambres ocultos o con su propio cable.
- **Al cortar al hilo, siempre use una guía para cortes al hilo o una guía con borde recto.** Esto mejora la precisión del corte y reduce la posibilidad de atascos de la hoja.
- **Siempre utilice hojas con orificios para el eje del tamaño y forma correctos (diamante en comparación con redondo).** Las hojas que no coinciden con los aditamentos de montaje de la sierra funcionarán de manera irregular y causarán una pérdida de control.
- **Nunca use arandelas o pernos de hojas dañados o incorrectos.** Nunca use arandelas o pernos de hojas dañados o incorrectos.

Instrucciones de seguridad adicionales para todas las sierras

Causa y prevención del operador ante una situación de retroceso:

- El retroceso es una reacción repentina a una hoja de sierra apretada, atascada o desalineada, lo cual hace que una sierra descontrolada se levante y salga de la pieza de trabajo hacia el operador.
- Cuando la hoja se aprieta o atasca por la entalladura que se cierra, la hoja se detiene y la reacción del motor impulsa la unidad rápidamente hacia el operador.
- Si la hoja se tuerce o desalinea en el corte, los dientes del borde posterior de la hoja se pueden enterrar en la superficie superior de la madera, lo que hace que la hoja salga de la entalladura y salte hacia el operador.

El retroceso es la consecuencia del uso inadecuado de la sierra o de condiciones o procedimientos de funcionamiento incorrectos y se puede evitar al tomar precauciones adecuadas, como las que se indican a continuación:

- **Agarre firmemente la sierra con las dos manos y ubique sus brazos para resistir la fuerza de retroceso. Ubique su cuerpo a cualquier lado de la hoja, pero no alineado con la misma.** Un retroceso puede provocar que la sierra salte hacia atrás, pero el operador puede controlar la fuerza de retroceso, si toma las precauciones correctas.
- **Cuando la hoja se atasque, o cuando interrumpa un corte por cualquier motivo, suelte el gatillo y sujete la sierra sin movimiento en el material hasta que la hoja se detenga por completo. Nunca intente retirar la sierra de la pieza ni jale la sierra hacia atrás mientras la hoja esté en movimiento ya que puede producirse un retroceso.** Investigue y tome acciones correctivas para eliminar la causa del atascamiento de la hoja.
- **Al volver a arrancar una sierra en la pieza de trabajo, centre la hoja de sierra en la entalladura y verifique que los dientes de la sierra no estén enganchados en el material.** Si la hoja de la sierra se atasca, puede elevarse o retroceder de la pieza de trabajo mientras la sierra vuelve a arrancar.

INFORMACIÓN DE SEGURIDAD

- **Apoye los paneles más grandes para minimizar el riesgo de que la hoja se apriete o**

- !** **sufra un retroceso. Los paneles más largos tienden a doblarse debido a su propio peso.** Los soportes deben colocarse bajo el panel a ambos lados: Bajo la línea de corte y cerca del borde del panel.
- **No utilice hojas desafiladas o dañadas.** Las hojas roma o mal instaladas generan una entalladura angosta, lo que provoca una fricción excesiva, atascamiento de la hoja y retroceso.
 - **La profundidad de la hoja y las palancas de bloqueo del bisel deben estar apretadas y fijas antes de realizar un corte.** Si el ajuste de la hoja cambia durante un corte, puede provocar un atascamiento de la hoja o un retroceso.
 - **Tenga extremada precaución al realizar un “corte con perforación” en paredes existentes u otras áreas ciegas.** La hoja sobresaliente puede entrar en contacto con objetos ocultos que pueden causar retroceso.

Instrucciones de seguridad para la protección de hoja inferior

- **Verifique que la protección inferior se cierre de forma adecuada antes de cada uso. No opere la sierra si la protección inferior no se mueve con facilidad ni cierra de forma instantánea. Nunca sujete ni amarre la protección inferior en una posición abierta. Si la sierra se cae accidentalmente, se puede torcer la protección inferior.** Levante la protección inferior con la manija de retracción y asegúrese de que se mueva con facilidad y no toque la hoja o alguna otra pieza, en todos los ángulos y todas las profundidades de corte.
- **Verifique el funcionamiento del resorte de la protección inferior. Si la protección y la hoja no funcionan de forma adecuada, se deben reparar antes de usar.** La protección inferior puede operar lentamente debido a piezas dañadas, depósitos de goma o una acumulación de desechos.
- **La protección inferior se debe retraer de forma manual solo para cortes especiales, como “cortes con penetración” y “cortes compuestos”. Levante la protección inferior con la manija de retracción y tan pronto la hoja ingrese en el material, se debe soltar la protección inferior.** Para todos los demás cortes, la protección inferior debería funcionar de forma automática.
- **Asegúrese siempre de que el protector inferior cubra la hoja antes de apoyar la sierra en el banco o el piso. Una hoja sin protección y en movimiento causará el retroceso de la sierra, cortando todo lo que se le cruce.** Tenga conocimiento del tiempo que la hoja tarda en detenerse luego de soltar el interruptor.

Advertencias de seguridad adicionales para sierras circulares

- a. Utilice siempre una mascarilla antipolvo
- b. Use solamente hojas de sierra recomendadas
- c. Use siempre protección para los oídos
- d. No use la sierra con ruedas abrasivas

PREPARACIÓN

Información acerca de la sierra circular

Antes de intentar utilizar la sierra circular, familiarícese con todas las funciones de operación y los requisitos de seguridad.

⚠ ADVERTENCIA

- Sea cuidadoso, incluso si está familiarizado con la sierra circular. Recuerde que un momento de descuido es suficiente para causar lesiones graves. Antes de intentar utilizar cualquier herramienta, asegúrese de familiarizarse con todas las funciones de operación e instrucciones de seguridad.
- No intente modificar esta herramienta ni crear accesorios que no sean los recomendados para esta. Cualquier alteración o modificación es considerada un mal uso y podría causar una condición peligrosa que podría conllevar lesiones personales graves.

INSTRUCCIONES DE FUNCIONAMIENTO

1. Paquete de baterías

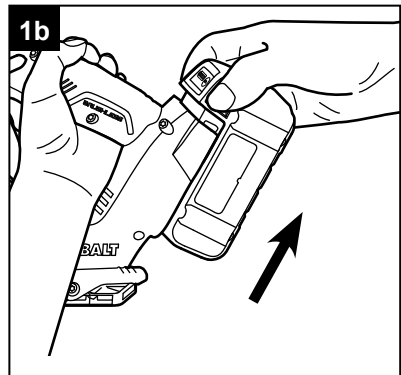
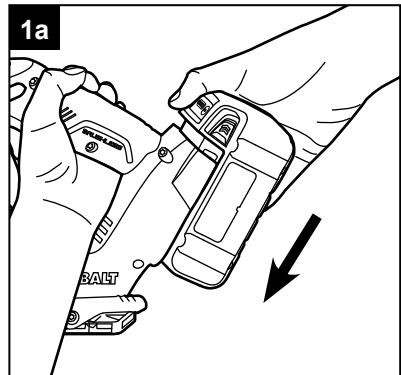
Colocación del paquete de baterías

- a. Asegúrese de que el interruptor de gatillo (D) esté en la posición "OFF" (apagado).
- b. Alinee la parte elevada del paquete de baterías con las ranuras de la parte inferior de la herramienta, luego deslice el paquete de baterías en la sierra, como se muestra.
- c. Asegúrese de que los pestillos del paquete de baterías encajen en su lugar y que el paquete de baterías esté fijo en la herramienta antes de comenzar la operación.

AVISO: Al colocar el paquete de baterías en la herramienta, asegúrese de que la varilla elevada del paquete de baterías se alinee con la ranura de la herramienta y que los pestillos encajen en su lugar adecuadamente. El ensamblaje inadecuado del paquete de baterías puede provocar daños a los componentes internos.

Extracción del paquete de baterías

- a. Asegúrese de que el interruptor de gatillo (D) esté en la posición "OFF" (apagado).
- b. Presione los botones de liberación de la batería para liberar el paquete de baterías.
- c. Jale el paquete de baterías hacia delante para retirar la batería de la herramienta.



INSTRUCCIONES DE FUNCIONAMIENTO

2. Interruptor de gatillo

- a. Para encender la sierra, presione el botón de bloqueo-apagado (B) y luego apriete el interruptor de gatillo (D).

⚠ ADVERTENCIA

- La hoja debe alcanzar velocidad plena antes de entrar en contacto con la pieza de trabajo.
- b. Para apagar la sierra, suelte el interruptor de gatillo y deje que la hoja se detenga por completo.

Freno eléctrico

Esta sierra circular está equipada con un freno eléctrico.

Cuando se suelta el interruptor de gatillo, el freno eléctrico se activa de manera automática para detener rápidamente la rotación.

3. Sistema protector de la hoja

La protección de hoja inferior (H) en la sierra circular está diseñada para brindar protección y seguridad al operador. No la modifique por ningún motivo.

Si la protección de hoja inferior se daña o si la hoja comienza a girar lentamente, NO opere la sierra hasta que se haya reparado o reemplazado la pieza dañada. SIEMPRE deje la protección en su posición de funcionamiento correcta al usar la sierra.

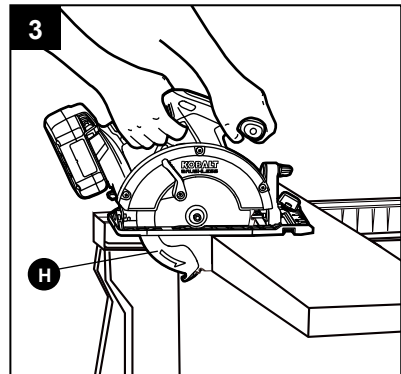
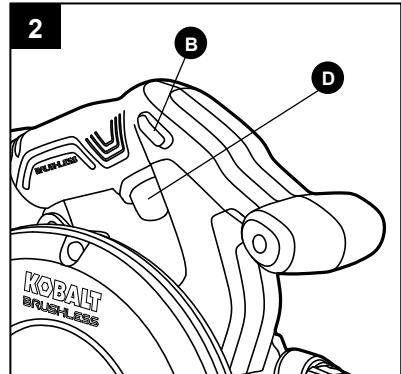
⚠ PELIGRO

- Al cortar a través de una pieza de trabajo, la protección de hoja inferior no cubre la hoja en la parte inferior de la pieza de trabajo. SIEMPRE mantenga las manos y el cuerpo alejados del área de corte. Se provocarán lesiones graves si cualquier parte del cuerpo entra en contacto con la hoja en movimiento.

⚠ ADVERTENCIA

- Para evitar posibles lesiones graves, nunca use la sierra cuando la protección de hoja inferior no funcione correctamente. Verifique el correcto funcionamiento de la protección de hoja inferior antes de cada uso. Debe moverse con facilidad y regresar instantáneamente a la posición cerrada. Si la sierra se cae, verifique que la protección de hoja inferior y el paragolpes no tengan daños en todos los ajustes de profundidad antes de usarla.

Si la protección de hoja inferior no encaja de forma cerrada en algún momento, llévela a un técnico de servicio autorizado para su reparación.



INSTRUCCIONES DE FUNCIONAMIENTO

4. Ajuste de la profundidad de corte

⚠ ADVERTENCIA

- Siempre mantenga el ajuste correcto de profundidad de la hoja.

El ajuste de profundidad de hoja correcto para todos los cortes no debe exceder el grosor del material que se corta en más de 1/4 pulg. (6,5 mm). Una profundidad de hoja mayor aumentará la posibilidad de retroceso y hará que el corte sea áspero.

- Retire el paquete de baterías de la sierra.
- Levante la palanca de bloqueo de profundidad (U) para liberarla.
- Sostenga el listoncillo de base (M) contra la pieza de trabajo y levante o baje la sierra hasta que la marca indicadora de la sierra se alinee con la profundidad deseada en la escala de profundidad (T).
- Baje la palanca de bloqueo de profundidad para bloquearla en su posición.

5. Ajuste del ángulo de corte

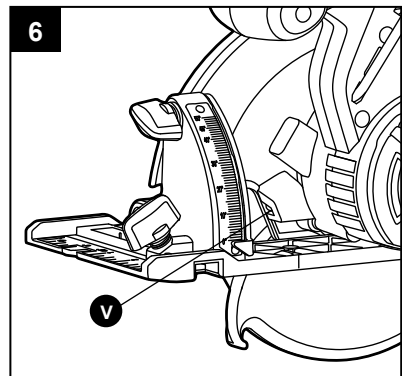
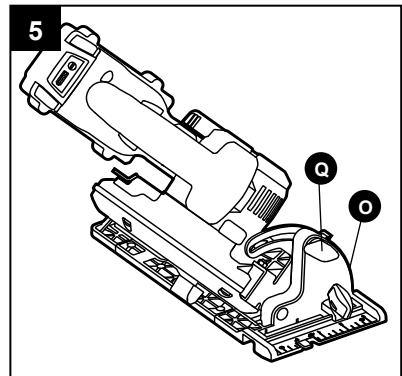
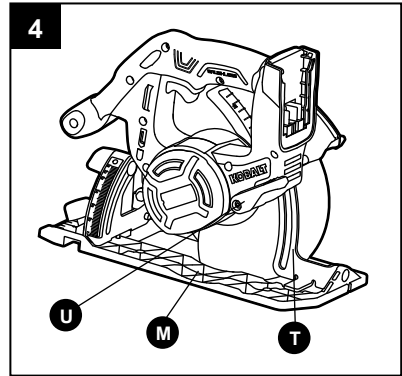
- Retire el paquete de baterías de la sierra.
- Suelte la perilla de bloqueo de biselado (Q), ubicada en la escala de biselado de 0° a 50° (O).
- Incline el cuerpo de la sierra hasta que la marca indicadora de la sierra se alinee con el ángulo requerido en la escala de ángulo del bisel.
- Apriete la perilla de bloqueo de biselado para fijar la sierra.

6. Luz de trabajo con bombilla LED

La sierra circular está equipada con una luz de trabajo con bombilla LED (V) que se iluminará cuando presione el interruptor de gatillo. Esto brinda más iluminación en la superficie de la pieza de trabajo para usar la herramienta en áreas con poca iluminación.

La luz de trabajo con bombilla LED se apagará cuando suelte el interruptor de gatillo.

- La luz de trabajo con bombilla LED titilará con rapidez si la herramienta deja de funcionar para proteger los circuitos internos; espere a que la herramienta se enfríe para que pueda volver a funcionar.
- La luz de trabajo con bombilla LED titilará más lento para indicar que el nivel de batería está muy bajo.

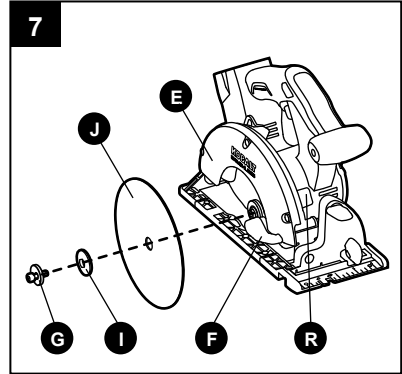


INSTRUCCIONES DE FUNCIONAMIENTO

7. Hojas de sierra

Las mejores hojas de sierra no cortarán lo suficiente si no se mantienen limpias, afiladas y ajustadas de forma adecuada. El uso de una hoja roma colocará una carga pesada en la sierra y aumentará el peligro de retroceso. Mantenga hojas adicionales a mano de forma que siempre disponga de hojas afiladas.

La goma y resina en las hojas disminuirán la velocidad de la sierra. Siga las instrucciones para retirar la hoja de la sierra, luego use un limpiador de goma y resina, agua caliente o queroseno para eliminar las acumulaciones.



⚠ ADVERTENCIA

- No use gasolina para limpiar la hoja.

Instalación de una hoja de sierra

- a. Retire el paquete de baterías de la sierra.
- b. Mantenga presionado el botón de bloqueo del husillo (R).
- c. Afloje el perno de la hoja (G) girándolo en dirección contraria a las manecillas del reloj con la llave para hoja (S) (incluida).
- d. Retire el perno de la hoja, arandela o brida externa (I).

⚠ ADVERTENCIA

- Si se ha retirado la brida interna, reemplácela antes de colocar la hoja en el husillo. Si no lo hace, la hoja no quedará apretada correctamente y puede causar lesiones personales graves.
- e. Use la palanca de protección de hoja (F) para retraer la protección de hoja inferior (H) en la protección de hoja superior (E).
 - f. Ajuste la hoja de sierra (J) dentro de la protección de hoja inferior y en el husillo. Verifique que los dientes de la sierra, la flecha en la hoja de la sierra y la flecha en el indicador de rotación en la protección de hoja apunten en la misma dirección.

AVISO: Los dientes de la sierra deben apuntar hacia arriba en la parte delantera de la sierra.

- g. Vuelva a colocar la brida de hoja externa con la sección sobresaliente apuntando hacia fuera.
- h. Mantenga presionado el botón de bloqueo del husillo y reemplace la arandela y el perno de la hoja.
- i. Apriete con firmeza el perno de la hoja girándolo en dirección de las manecillas del reloj con la llave para hoja.

AVISO: Nunca use una hoja demasiado gruesa para permitir que la brida de hoja externa se enganche con la sección plana del husillo.

⚠ ADVERTENCIA

- Para evitar lesiones corporales, siempre retire el paquete de baterías antes de instalar o retirar la hoja de la sierra.

INSTRUCCIONES DE FUNCIONAMIENTO

Retirar la hoja de la sierra.

- Retire el paquete de baterías de la sierra.
- Mantenga presionado el botón de bloqueo del husillo (R).
- Afloje el perno de la hoja (G) girándolo en dirección contraria a las manecillas del reloj con la llave para hoja (S).
- Retire el perno de la hoja y la brida de hoja externa (I).
- Levante el protector de hoja inferior (H) y luego retire la hoja (J).

8. Cómo cortar con la sierra circular

Consulte las figuras de esta sección para conocer la forma correcta e incorrecta de manipular la sierra.

ADVERTENCIA

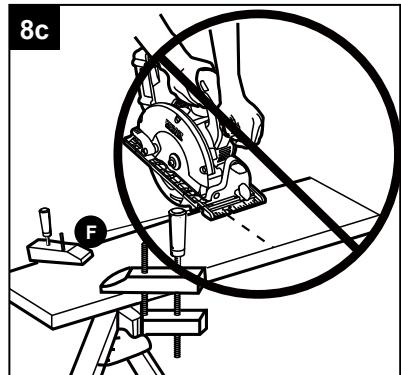
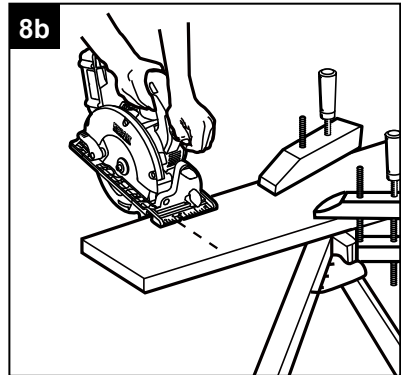
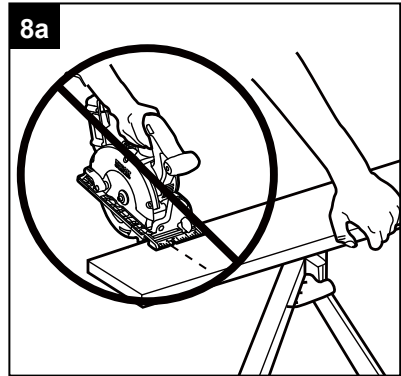
- Para que el uso de la sierra sea más fácil y seguro, siempre mantenga un control adecuado del producto. La pérdida de control puede provocar un accidente que cause posibles lesiones graves.

PELIGRO

- Al levantar la sierra de la pieza de trabajo, la hoja se expone en la parte inferior de la sierra hasta que se cierra la protección de hoja inferior (H). Asegúrese de que la protección de hoja inferior esté cerrada antes de apoyar la sierra.

Para lograr el mejor corte posible de la forma más segura, siga estos consejos útiles:

- Sostenga firmemente la sierra con ambas manos.
- Evite colocar su mano en la pieza de trabajo mientras realiza un corte (Fig. 8a).
- Apoye la pieza de trabajo de forma que el corte siempre esté al lado del operador y no directamente en línea con su cuerpo.
- Apoye la pieza de trabajo cerca del corte.
- Sujete la pieza de trabajo con firmeza de forma que no se mueva mientras realiza el corte (Fig. 8b).
- Siempre coloque la sierra en la parte de la pieza de trabajo que está apoyada y no en la pieza "de corte" (Fig. 8c).
- Coloque la pieza de trabajo con el lado "bueno" hacia abajo.
- Trace una línea de referencia a lo largo de la línea de corte deseada antes de comenzar el corte.

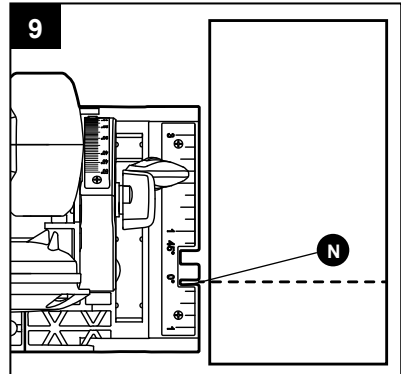


INSTRUCCIONES DE FUNCIONAMIENTO

9. Corte transversal/Corte al hilo

Al realizar un corte transversal o al hilo, alinee la línea de referencia con el corte con la ranura guía de la hoja en 90° (N) en el listoncillo de base (T). La distancia desde la hoja de la sierra hasta la base de la sierra es de aproximadamente 3-5/8 pulg. (9,2 cm) en el lado izquierdo de la sierra y 1-1/2 pulg. (3,7 cm) en el lado derecho.

Los grosores de las hojas varían, por lo que siempre debe realizar un corte de prueba en un material que no use a lo largo de una línea de referencia para determinar cuánto se debe compensar de la línea de referencia respecto de la guía para producir un corte preciso.



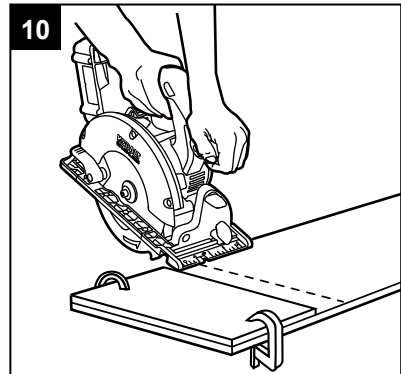
AVISO: Use una guía al realizar cortes al hilo largos o anchos.

10. Cortes al hilo con borde recto

- Asegure la pieza de trabajo.
- Fije un borde recto a la pieza de trabajo con abrazaderas en C (no incluidas).

AVISO: Coloque las abrazaderas en C de forma que no interfieran con la carcasa de la sierra durante el corte.

- Presione el botón de bloqueo-apagado (B) y presione el gatillo de interruptor (D) para arrancar la sierra.
- Permita que la hoja (J) alcance una velocidad plena, luego oriente la sierra hacia la pieza de trabajo y haga el corte.
- Corte a lo largo del borde recto para lograr un corte al hilo recto.
- Suelte el interruptor de gatillo y permita que la hoja se detenga por completo.
- Levante la sierra de la pieza de trabajo.

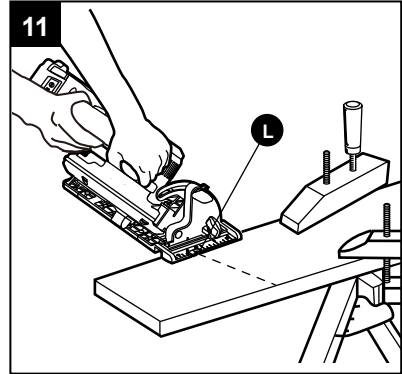


AVISO: No presione la hoja contra el corte.

INSTRUCCIONES DE FUNCIONAMIENTO

11. Corte biselado

- Retire el paquete de baterías.
- Ajuste el ángulo de corte a cualquier valor deseado entre 0° y 50° . Apriete con firmeza la perilla de bloqueo de biselado (Q).
- Reemplace el paquete de las baterías.
- Alinee la línea de corte con la ranura guía de la hoja en 45° (L) en la zapata de la base (M) al realizar cortes biselados en 45° .
- Realice un corte de prueba en un material que no use a lo largo de una línea de referencia para determinar cuánto se debe compensar de la línea de referencia en el material de corte.



ADVERTENCIA

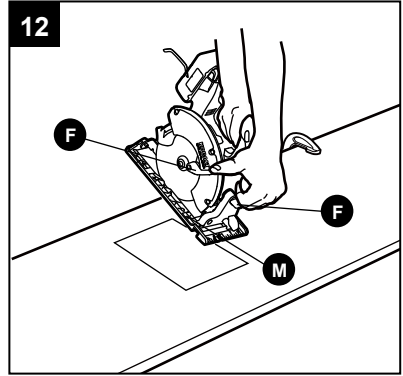
- Si intenta realizar un corte biselado sin tener la perilla de bloqueo de biselado trabada con firmeza en su lugar puede provocar lesiones graves.
- Sostenga firmemente la sierra con ambas manos, como se muestra.
 - Apoye el borde delantero de la zapata de base en la pieza de trabajo sin que la hoja haga contacto con la pieza de trabajo.
 - Arranque la sierra y permita que la hoja alcance velocidad plena.
 - Guíe la sierra hacia la pieza de trabajo y realice el corte.
 - Suelte el interruptor de gatillo y permita que la hoja se detenga por completo.
 - Levante la sierra de la pieza de trabajo.

INSTRUCCIONES DE FUNCIONAMIENTO

12. Corte de cavidades

⚠ ADVERTENCIA

- Siempre ajuste el valor de biselado en 0° antes de realizar el corte de una cavidad. Si intenta cortar una cavidad en cualquier otro ajuste puede perder el control de la sierra y provocar posibles lesiones graves.
- a. Ajuste el valor del biselado en 0° y apriete la perilla de bloqueo del bisel (Q).
 - b. Coloque la hoja en la profundidad de corte correcto.
 - c. Mueva la protección de la hoja inferior hacia arriba (H) con la palanca de protección de hoja (F).
 - d. Sujete la protección de hoja inferior en su lugar con la palanca de protección de hoja.
 - e. Apoye la parte delantera de la zapata de la base (M) contra la pieza de trabajo, con la parte posterior de la misma levantada, de forma que la hoja (J) no toque la pieza de trabajo.
 - f. Presione el botón de bloqueo-apagado (B) y presione el gatillo de interruptor (D) para arrancar la sierra.
 - g. Permita que la hoja alcance la velocidad máxima y luego oriente la sierra hacia la pieza de trabajo y haga el corte.
 - h. Suelte el interruptor de gatillo y permita que la hoja se detenga por completo.
 - i. Levante la sierra de la pieza de trabajo.



⚠ ADVERTENCIA

- Siempre corte hacia delante al cortar cavidades. Si corta en dirección inversa puede causar que la sierra se suba sobre la pieza de trabajo y retroceda hacia el operador.
- Cuando la hoja comience a cortar el material, suelte la palanca de protección de hoja de inmediato. Cuando la pata de la protección se apoye de forma plana sobre la superficie que desea cortar, comience a cortar hacia delante hasta el extremo del corte.
- Nunca amarre el protector de hoja inferior en posición levantada. Si deja la hoja expuesta se pueden provocar lesiones graves.

CUIDADO Y MANTENIMIENTO

- ⚠** Todas las tareas de mantenimiento deben estar a cargo únicamente de un técnico de servicio calificado.

Limpieza

Antes de limpiar o realizar cualquier mantenimiento, retire el paquete de baterías de la sierra circular. Para un uso seguro y adecuado, siempre mantenga limpias la herramienta y sus ranuras de ventilación.

Siempre use un paño suave y seco para limpiar la sierra circular; nunca use detergente ni alcohol.

SOLUCIÓN DE PROBLEMAS



ADVERTENCIA

- Coloque el interruptor en la posición "OFF" (Apagado) y retire el paquete de baterías de la sierra circular antes de realizar procedimientos de solución de problemas.

PROBLEMA	CAUSA POSIBLE	ACCIÓN CORRECTIVA
La sierra circular no funciona.	La batería está agotada.	Cargue la batería
La hoja se atasca o quema la madera.	<ol style="list-style-type: none">1. Funcionamiento inadecuado.2. Hoja roma.3. Hoja inadecuada.	<ol style="list-style-type: none">1. Consulte la sección "INSTRUCCIONES DE FUNCIONAMIENTO".2. Reemplace o afile la hoja.3. Reemplace la hoja.
La sierra vibra o se agita.	<ol style="list-style-type: none">1. Hoja inadecuada.2. Funcionamiento de la hoja instalada de forma incorrecta.	<ol style="list-style-type: none">1. Reemplace la hoja.2. Retire la hoja y vuelva a instalarla, asegúrese de que no falte ninguna pieza.
La luz de trabajo con bombilla LED titila con rapidez.	La herramienta ha dejado de funcionar para proteger los circuitos internos.	Suelte el interruptor de gatillo, espere a que la herramienta se enfríe y luego enciéndala de nuevo.
La luz de trabajo con bombilla LED titila con lentitud.	El nivel de batería está muy bajo.	Cargue la batería.

GARANTÍA

La sierra circular está garantizada contra defectos de fabricación en materiales y mano de obra por 5 años desde la fecha de compra para el comprador original. La garantía no cubre daños producidos por abuso, desgaste normal, mantenimiento inapropiado, negligencia, alteración o reparación no autorizada o piezas fundibles y accesorios que se esperan que sean inutilizables después de un período de uso razonable.

Si cree que este producto cumple con la garantía mencionada con anterioridad, devuelva el producto al lugar donde lo compró con un comprobante de compra válido y el producto defectuoso se reparará o reemplazará sin cargo. Esta garantía le otorga derechos legales específicos, pero también podría tener otros derechos que varían según el estado.