



Ensemble™ Medley® 60" x 30" Vikrell® bath/shower with Aging in Place backerboards, right drain 71370126



Features

- 16" apron
- Tongue-and-groove walls with snap-together installation
- High-gloss walls
- Molded-in shelves
- Aging in Place backerboards
- Innovative Dry-Block™ seal and channeled water containment system form watertight seams

Material

- Made from solid Vikrell® material for strength, durability, and lasting beauty

Installation

- Alcove
- Right drain
- Caulk-free installation

Recommended Products/Accessories

- K-23726 Drain treatment
- K-23733 Vikrell® cleaner

Included Components

- 71374106 60" x 30" Vikrell® bath/shower wall set with Aging in Place backerboards
- 71171120 60" x 30" Vikrell® bath, right drain



Codes/Standards

- CSA B45.5/IAPMO Z124
- ASTM E162
- ASTM E662
- HUD, UM Bulletin 73
- IAPMO Certification


STERLING® Vikrell® or Acrylic Baths and Shower Bases Ten-Year Limited Warranty

See website for detailed warranty information.

Available Colors/Finishes

Color tiles intended for reference only.

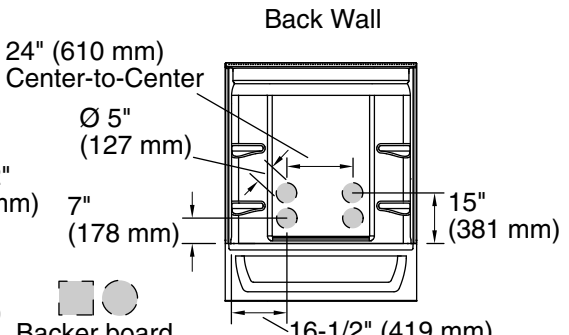
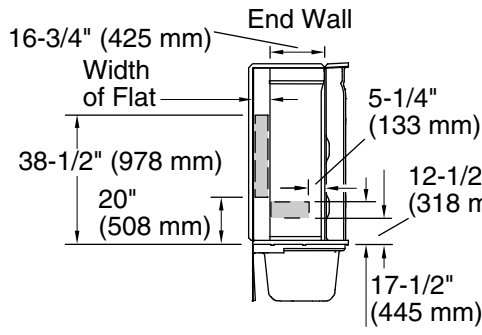
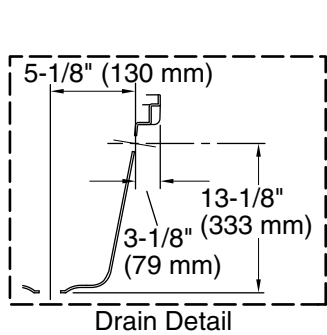
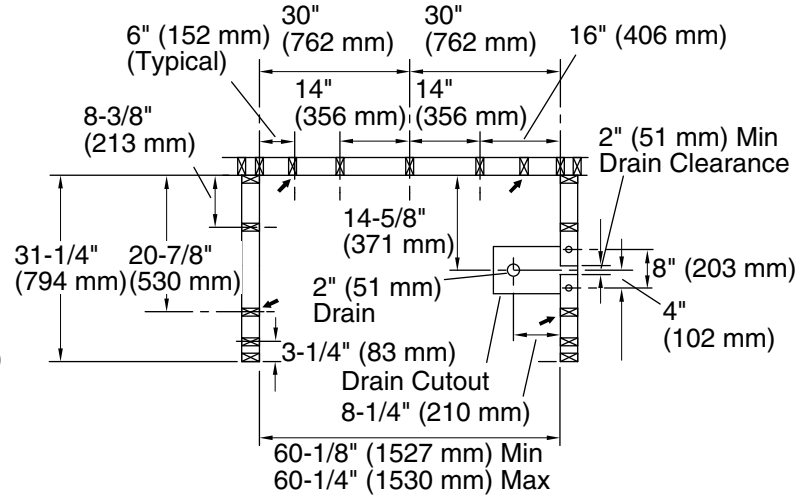
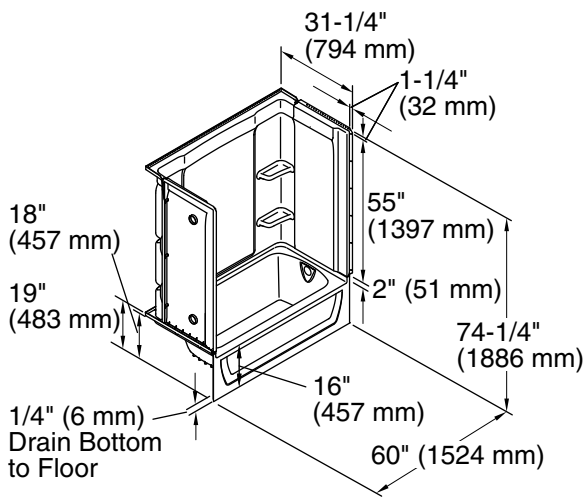
Color Code Description

	0	White
---	---	-------



Ensemble™ Medley®

60" x 30" Vikrell® bath/shower with Aging in Place backerboards, right drain
71370126



Technical Information

All product dimensions are nominal.

Drain location:	Right
Basin area, bottom:	45" x 20" (1143 mm x 508 mm)
Basin area, top:	53" x 23" (1346 mm x 584 mm)
Water depth:	11-1/4" (286 mm)
Water capacity:	44 gal (166.6 L)
Minimum flat for door:	2-3/4" (70 mm)
Maximum door height:	56-3/4" (1441 mm)
Maximum door width:	57-11/16" (1465 mm)

Notes

- Install this product according to the installation instructions.
- Studs should be positioned as shown.
- Double studding is recommended for pivot shower door installations.
- Attach grab bars at the specified backerboard locations only.

1-800-STERLING (1-800-783-7546)

Kohler Co. reserves the right to make revisions without notice to product specifications.

For the most current Specification Sheet, go to www.sterlingplumbing.com.

9-30-2024 22:02 - US/CA