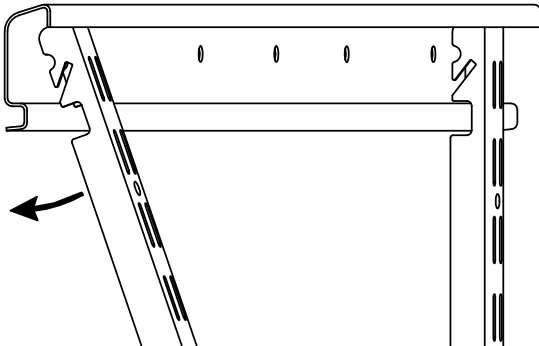


TrackSmart™ Vertical Standard

#7140464

#7134339



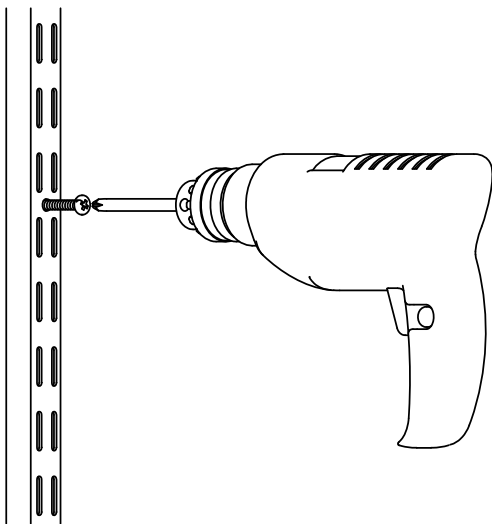
1. Install TrackSmart™ Vertical Standard

The top rail holds the TrackSmart™ Vertical Standards.

To install the TrackSmart™ Vertical Standards:

Hook its top onto the horizontal rail while tilting the vertical rail away from the wall.

Then lower it straight down to lock into place.



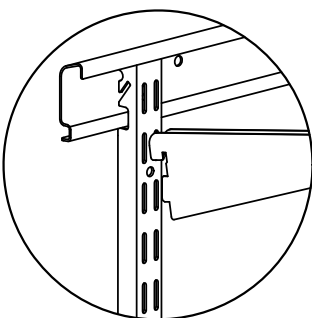
2. Secure TrackSmart™ Vertical Standards

In addition to hanging the vertical rail from the top rail,

proper installation requires the vertical rail to

be secured to the wall with screws.

Fasten the screws into studs or use anchors suitable for drywall or masonry.



3. Install Brackets

Brackets can be installed at required heights into

standard positions to support shelving.

Insert the bracket into rectangular holes,

lift the front upward,

then press the front downward to secure.

