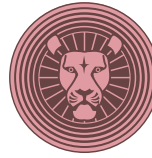


22"

Item Number:

- 650-M22-BKO
- 650-M22-BNM
- 650-M22-CWH
- 650-M22-UGR

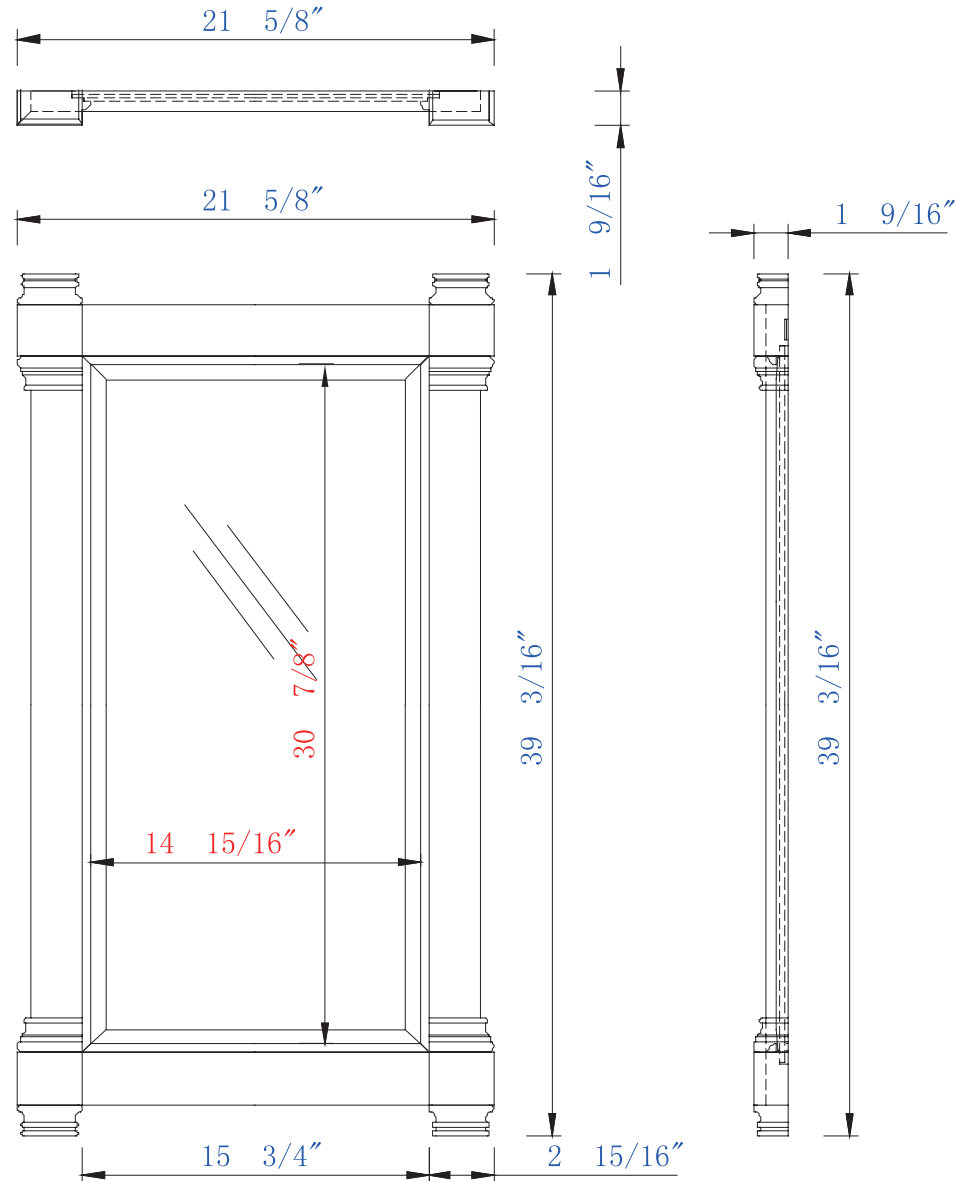
JAMES MARTIN



VANITIES

Brittany 22" Mirror

Diagrams with Dimensions  
page 01 of 01

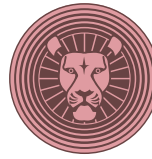


550mm

Item Number:

- 650-M22-BKO
- 650-M22-BNM
- 650-M22-CWH
- 650-M22-UGR

JAMES MARTIN



VANITIES

Brittany 550mm Mirror

Diagrams with Dimensions  
page 01 of 01

